



US00D594657S

(12) **United States Design Patent**
McAlpine

(10) **Patent No.:** **US D594,657 S**
(45) **Date of Patent:** **** Jun. 23, 2009**

(54) **CONTAINER**

(76) Inventor: **Gilroy Clements McAlpine, c/o**
Chemcraft (Pty) Limited, Factory No. 2,
507 Pretoria Road, Fairlands, Benoni,
1501 (ZA)

(**) Term: **14 Years**

(21) Appl. No.: **29/281,090**

(22) Filed: **Jun. 14, 2007**

(51) **LOC (9) Cl.** **03-01**

(52) **U.S. Cl.** **D3/273; D9/432**

(58) **Field of Classification Search** D3/272-273,
D3/283, 302, 304-315; D9/432-433, 414,
D9/418, 499; D19/90; 206/515, 784, 527,
206/815; 220/9.1-9.3, 475, 62, 639, 641,
220/646, 647, 890, 913; 229/100, 117.01-117.07,
229/120, 120.1

See application file for complete search history.

(56) **References Cited**

U.S. PATENT DOCUMENTS

1,781,825	A *	11/1930	Stoddard	217/19
D140,403	S *	2/1945	Wise	D3/312
D140,404	S *	2/1945	Wilson	D3/312
2,465,324	A *	3/1949	De Mian	229/125.08
D167,622	S *	9/1952	Erickson	D3/312
D188,073	S *	5/1960	Lovell	D3/312
2,957,597	A *	10/1960	Royce	217/42
D200,669	S *	3/1965	Vught	D3/312
3,246,828	A *	4/1966	Branscum et al.	220/4.34
3,669,298	A *	6/1972	Silver et al.	220/4.01
3,702,676	A *	11/1972	Stephens et al.	108/53.5
D326,341	S *	5/1992	Frauhiger	D34/1
5,538,178	A *	7/1996	Zink et al.	229/117.01
D381,579	S *	7/1997	Amundsen	D9/417

6,102,569	A *	8/2000	Wang	383/104
D500,205	S *	12/2004	DeCarlo et al.	D3/302
D502,647	S *	3/2005	McAlpine et al.	D9/432
6,926,194	B2 *	8/2005	Lane	229/120
7,303,075	B2 *	12/2007	Herbert et al.	206/515
2005/0029260	A1 *	2/2005	Sheng-Bin	220/9.1

* cited by examiner

Primary Examiner—T. Chase Nelson

Assistant Examiner—Eric L Goodman

(74) *Attorney, Agent, or Firm*—Ostrolenk, Faber, Gerb & Soffen, LLP

(57) **CLAIM**

The ornamental design for a container, as shown and described.

DESCRIPTION

FIG. 1 is a perspective view of a container, showing my new design in a first condition;

FIG. 2 is an exploded perspective view thereof in a second condition;

FIG. 3 is a top plan view thereof;

FIG. 4 is a bottom plan view thereof;

FIG. 5 is a side elevation view thereof;

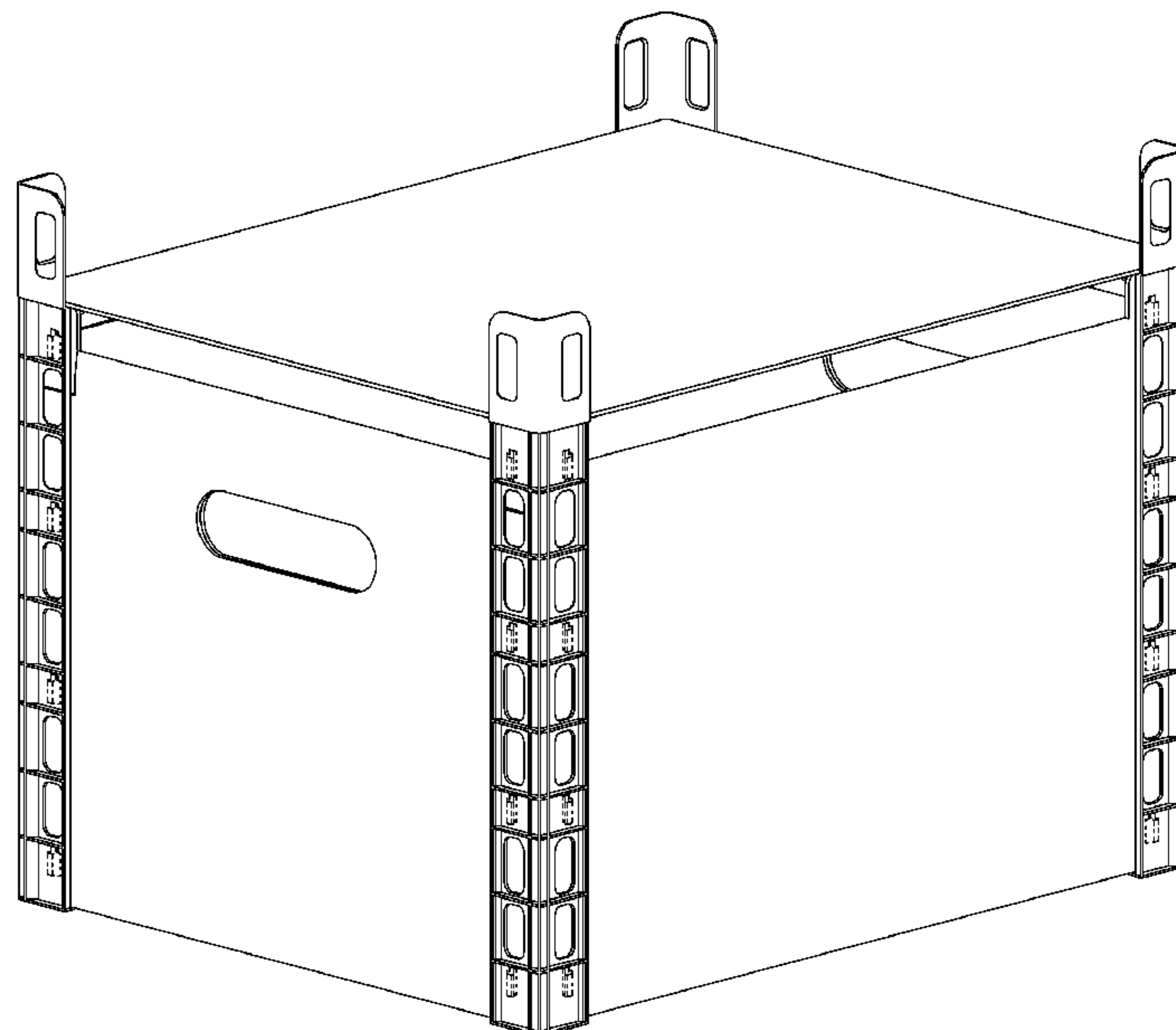
FIG. 6 is an opposite side end elevation view thereof.

FIG. 7 is one end elevation view thereof; and,

FIG. 8 is an opposite end elevation view thereof.

The broken line, showing of the partition in FIG. 2, and the corner embellishment in FIGS. 1-2 and 5-8, are included for the purpose of illustrating portions of the article and form no part of the claimed design.

1 Claim, 8 Drawing Sheets



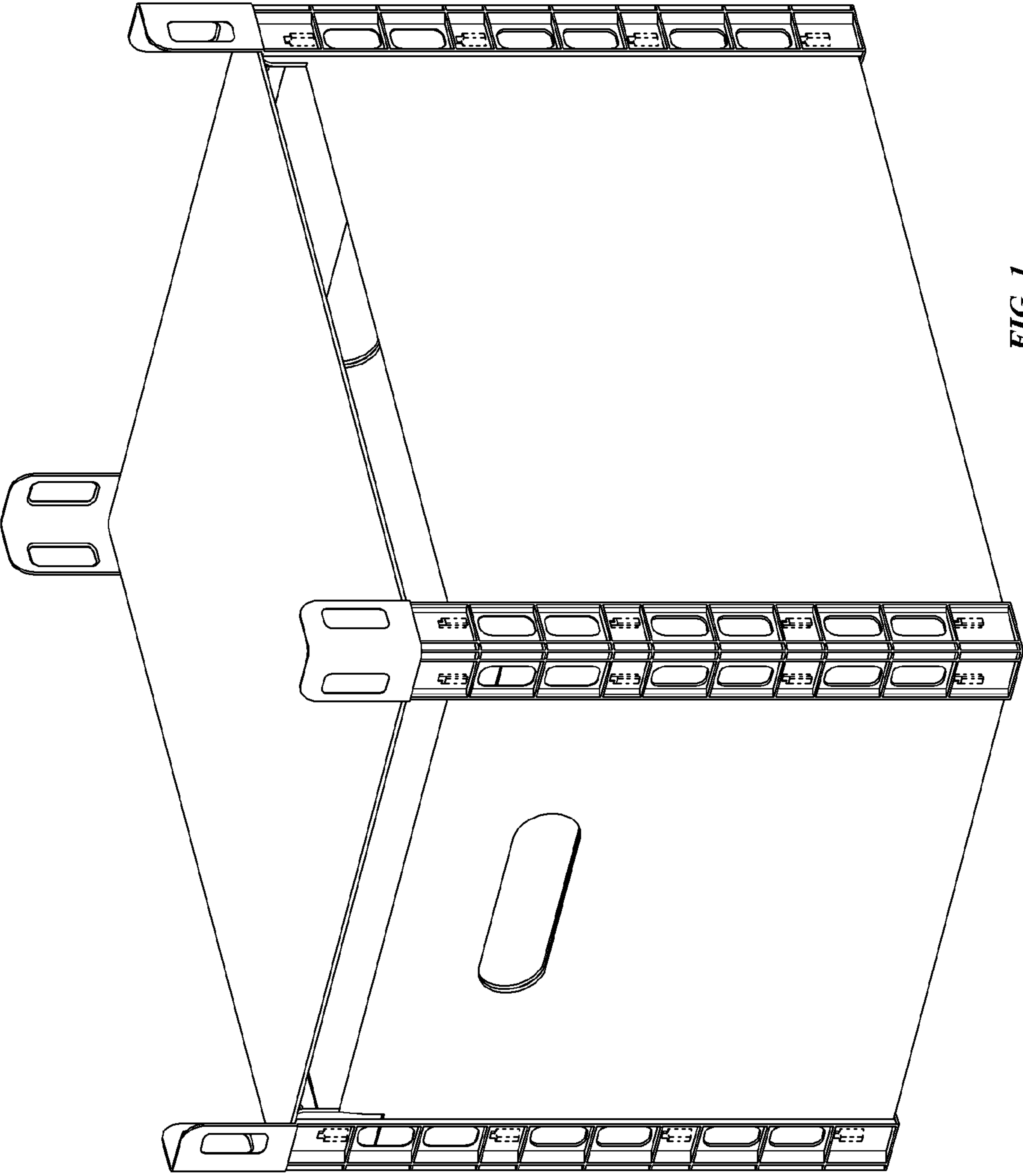


FIG. 1

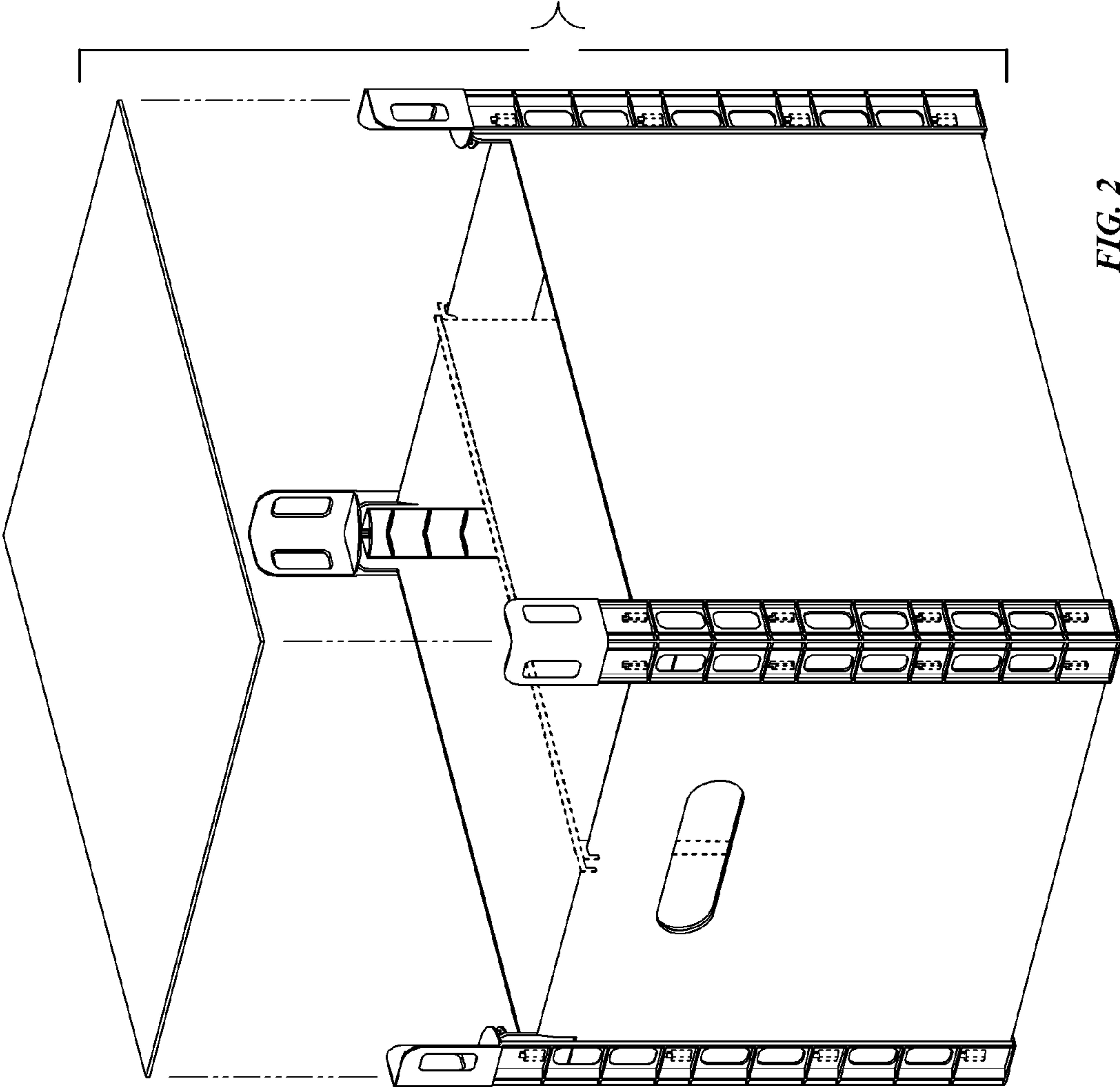


FIG. 2

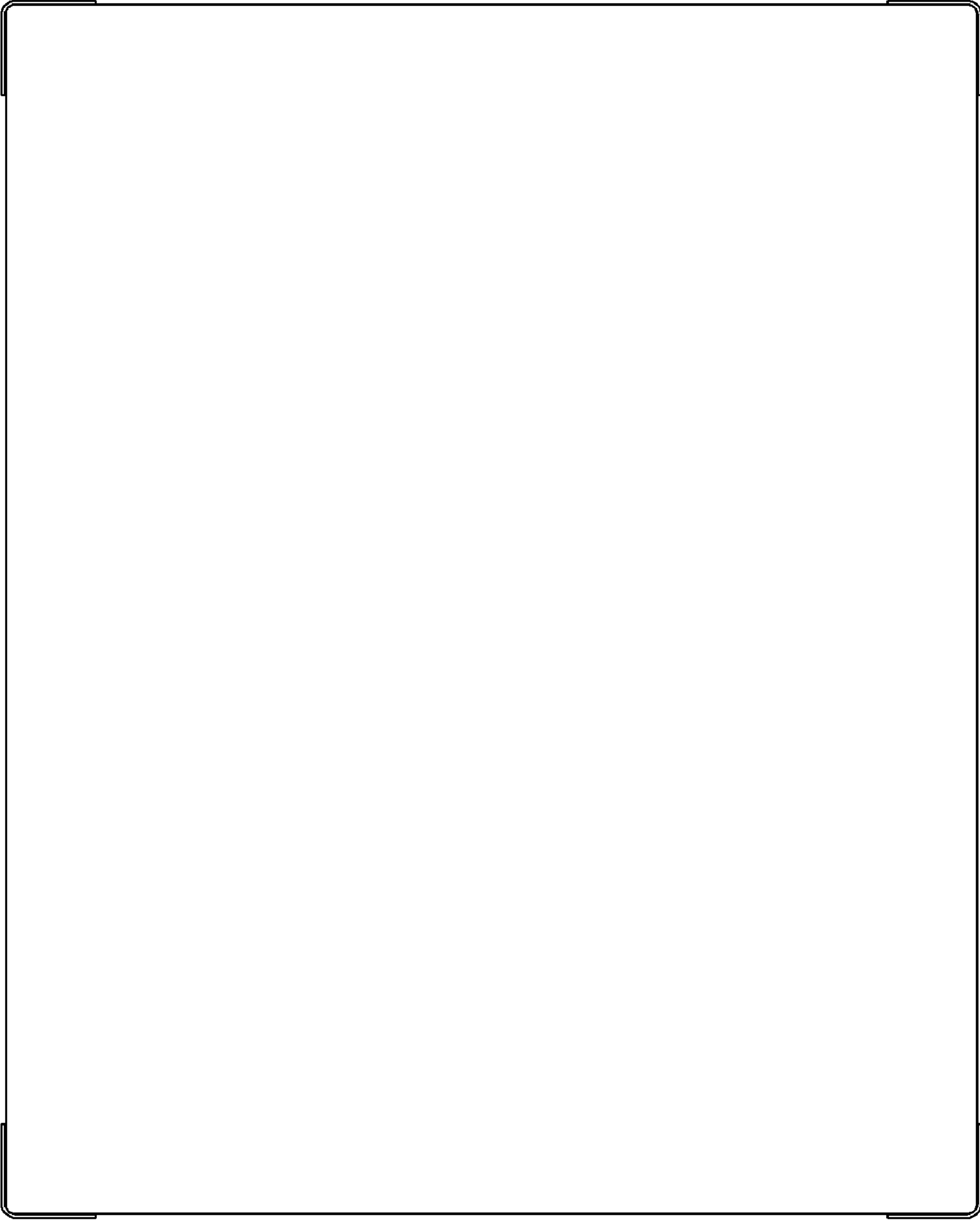


FIG. 3

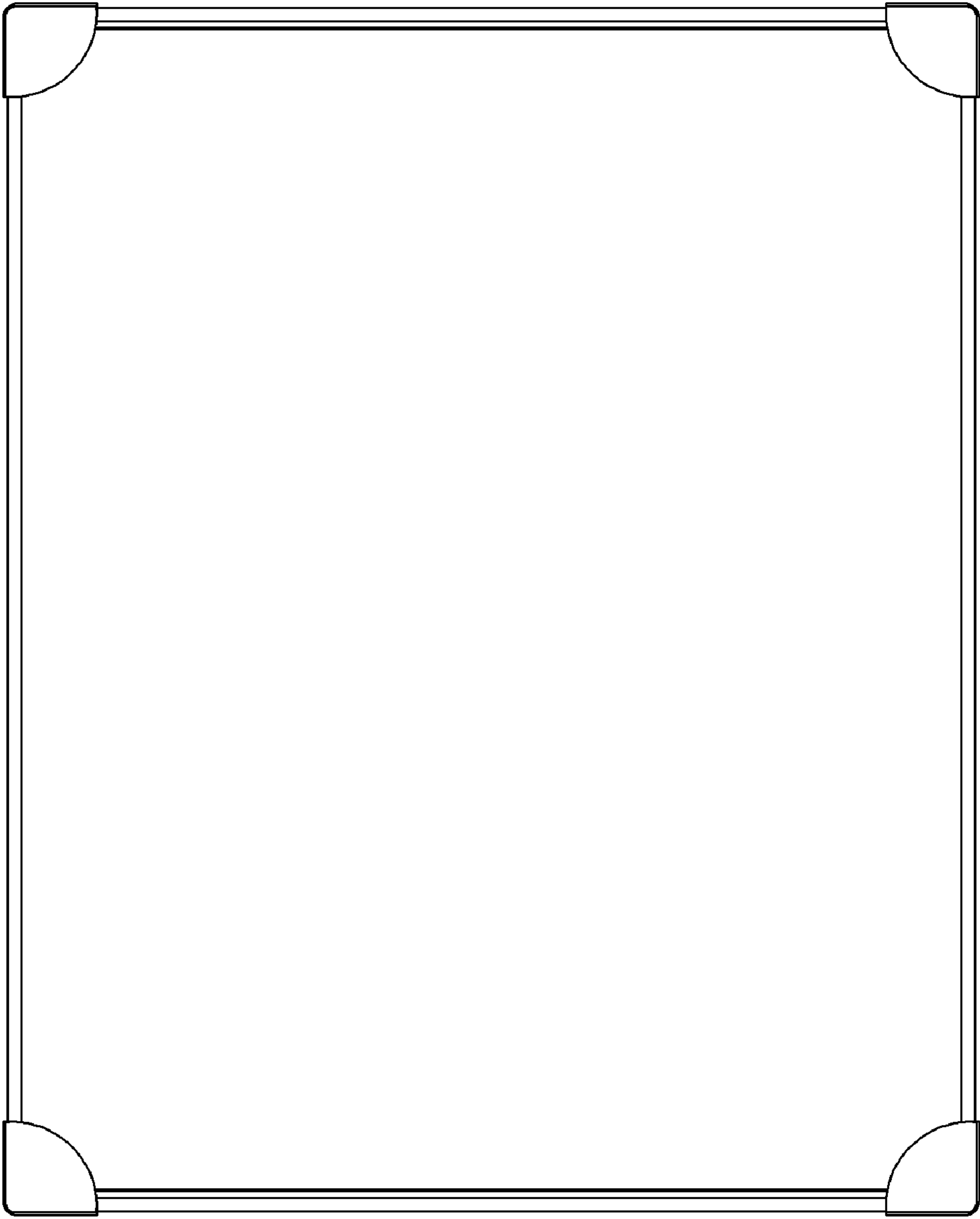


FIG. 4

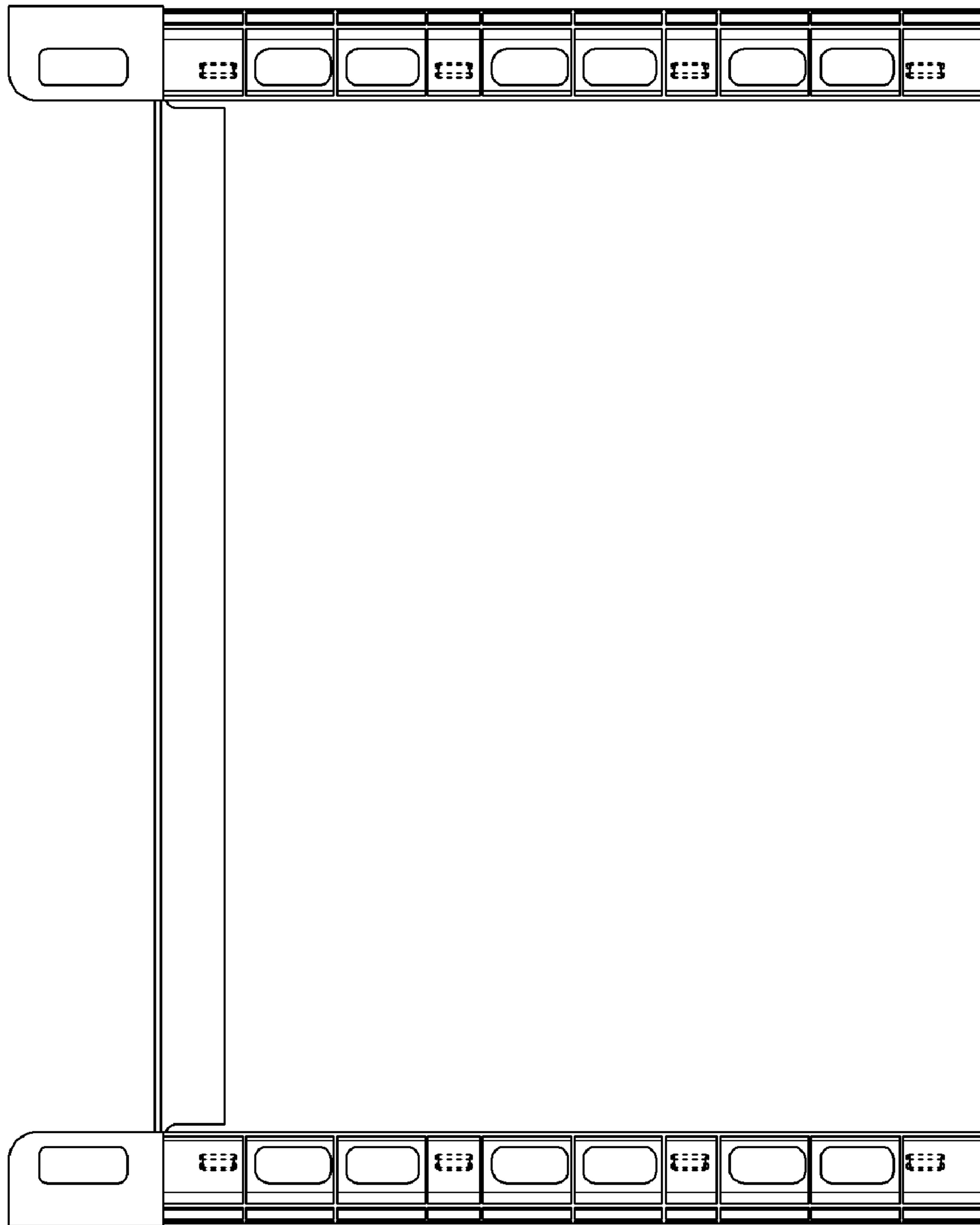


FIG. 5

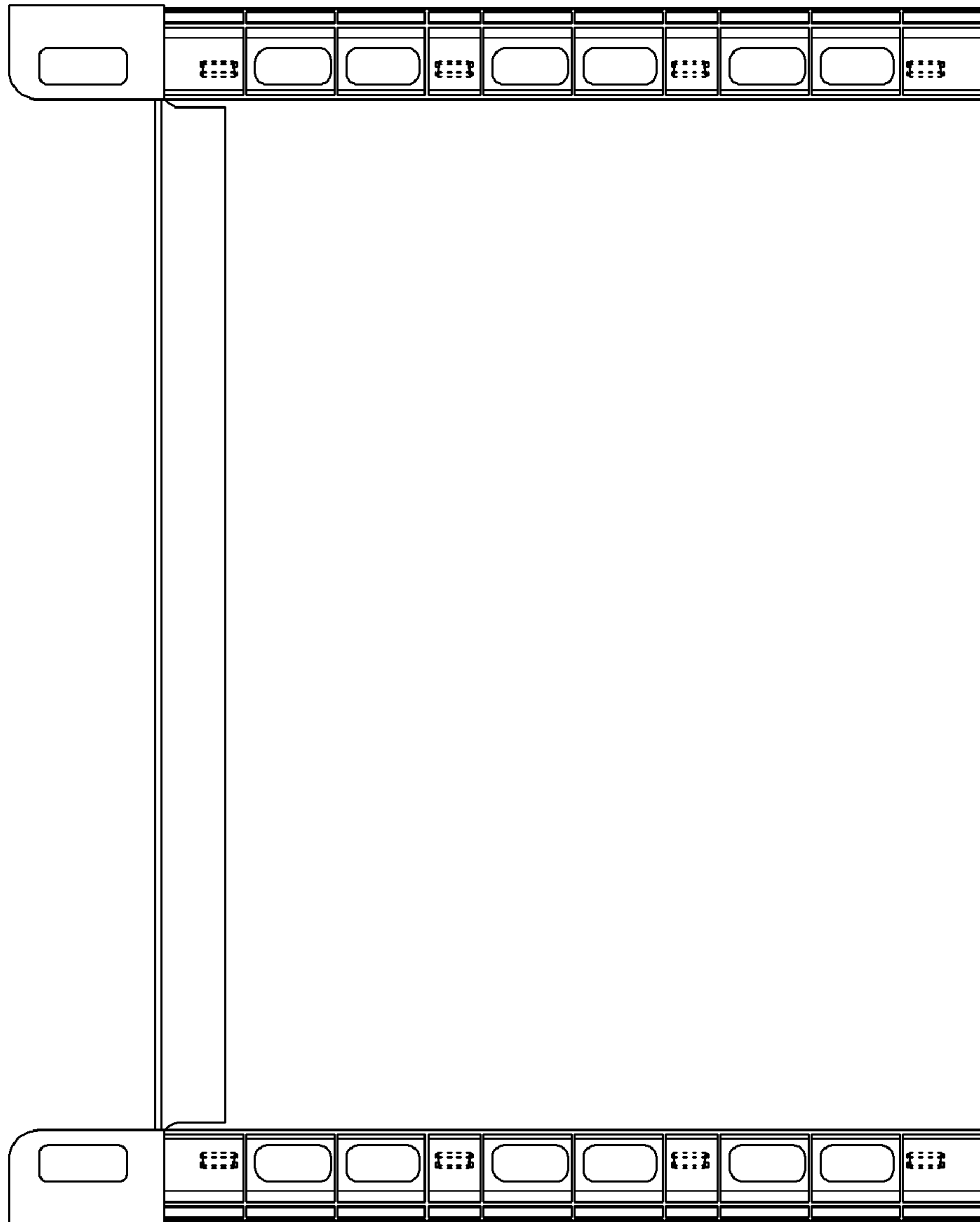


FIG. 6

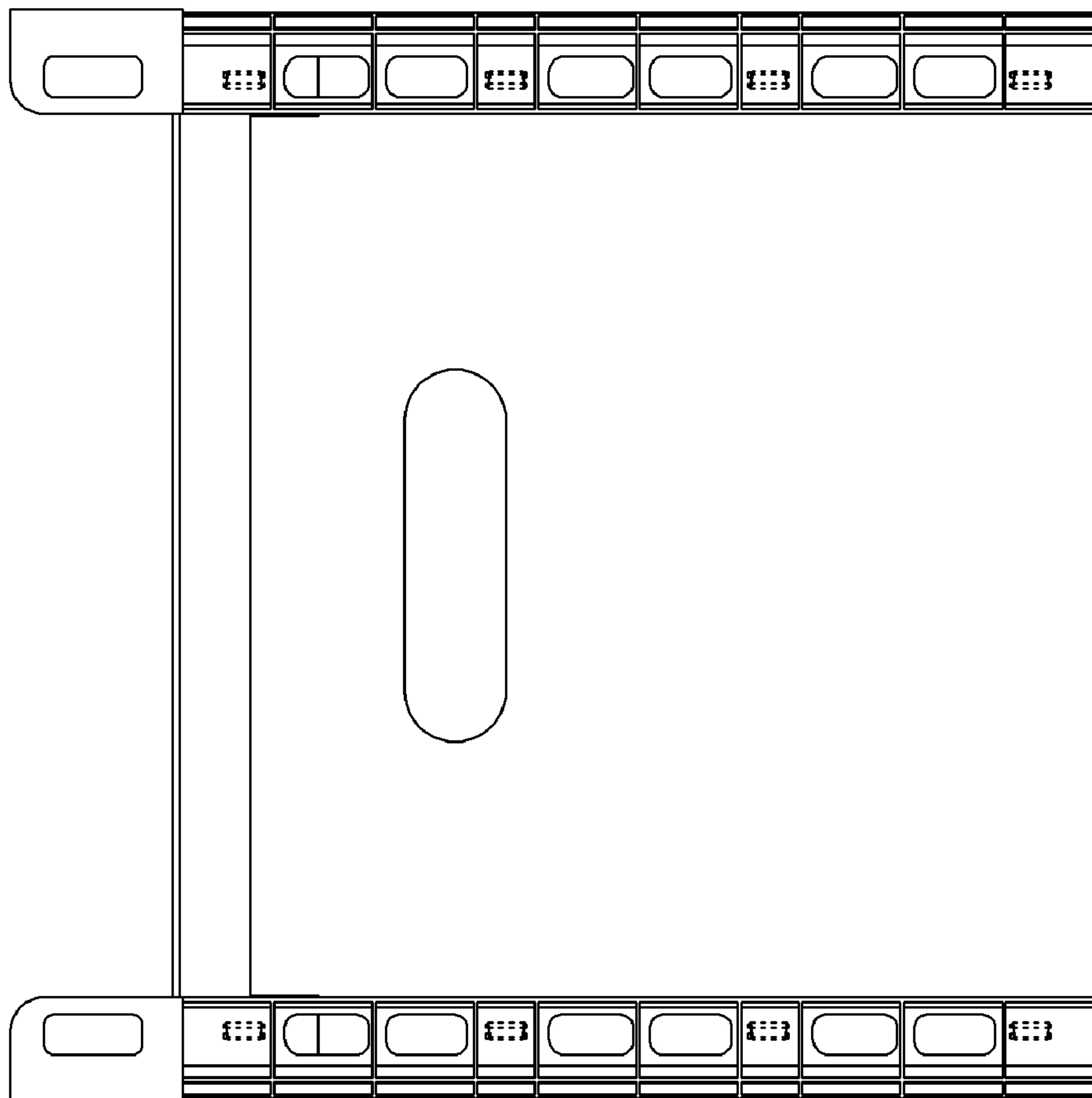


FIG. 7

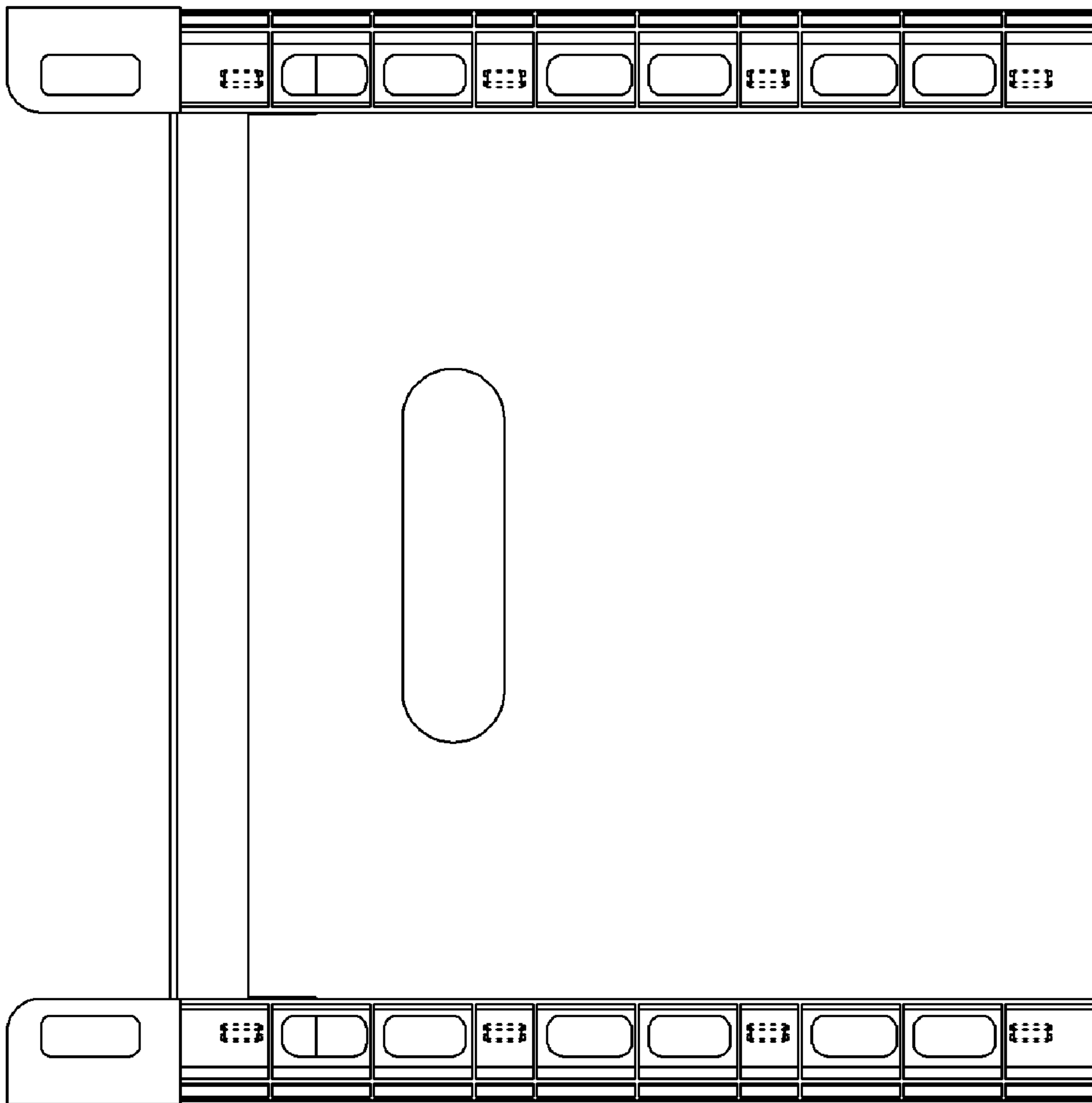


FIG. 8