



US00D594650S

(12) **United States Design Patent**
Doty et al.

(10) **Patent No.:** **US D594,650 S**
(45) **Date of Patent:** **** Jun. 23, 2009**

(54) **SUSPENDER HOLSTER WITH BELT HOOKS**

Primary Examiner—Catherine R Oliver
(74) *Attorney, Agent, or Firm*—Alvin T. Rockhill

(75) Inventors: **Robert L. Doty**, Greenacres, WA (US);
Don A. Perry, Decatur, IL (US)

(57) **CLAIM**

(73) Assignee: **Perry Products, Inc.**, Decatur, IL (US)

The ornamental design for a suspender holster with belt hooks, as shown and described.

(**) Term: **14 Years**

(21) Appl. No.: **29/326,832**

DESCRIPTION

(22) Filed: **Oct. 24, 2008**

(51) **LOC (9) Cl.** **03-01**

(52) **U.S. Cl.** **D3/222**

(58) **Field of Classification Search** D3/222–223,
D3/218, 215; 224/192–193, 245, 581–583,
224/198, 624, 911, 674–675, 607, 244; D2/627;
D8/373

See application file for complete search history.

FIG. 1 is a front perspective view of a suspender holster with belt hooks showing our new design with the suspender holster being worn by a human for illustrative purposes only;

FIG. 2 is a right side view of the suspender holster again being worn by a human for illustrative purposes;

FIG. 3 is a front perspective view of holster suspenders illustrating our new design;

FIG. 4 is a front view of a suspender holster illustrating our new design;

FIG. 5 is a rear view of a suspender holster illustrating our new design;

FIG. 6 is a left side view of a suspender holster illustrating our new design; and,

FIG. 7 is a right side view of a suspender holster illustrating our new design.

The subject matter shown in broken lines, including the human figure, is for illustrative purposes only and does not constitute any part of the claimed design.

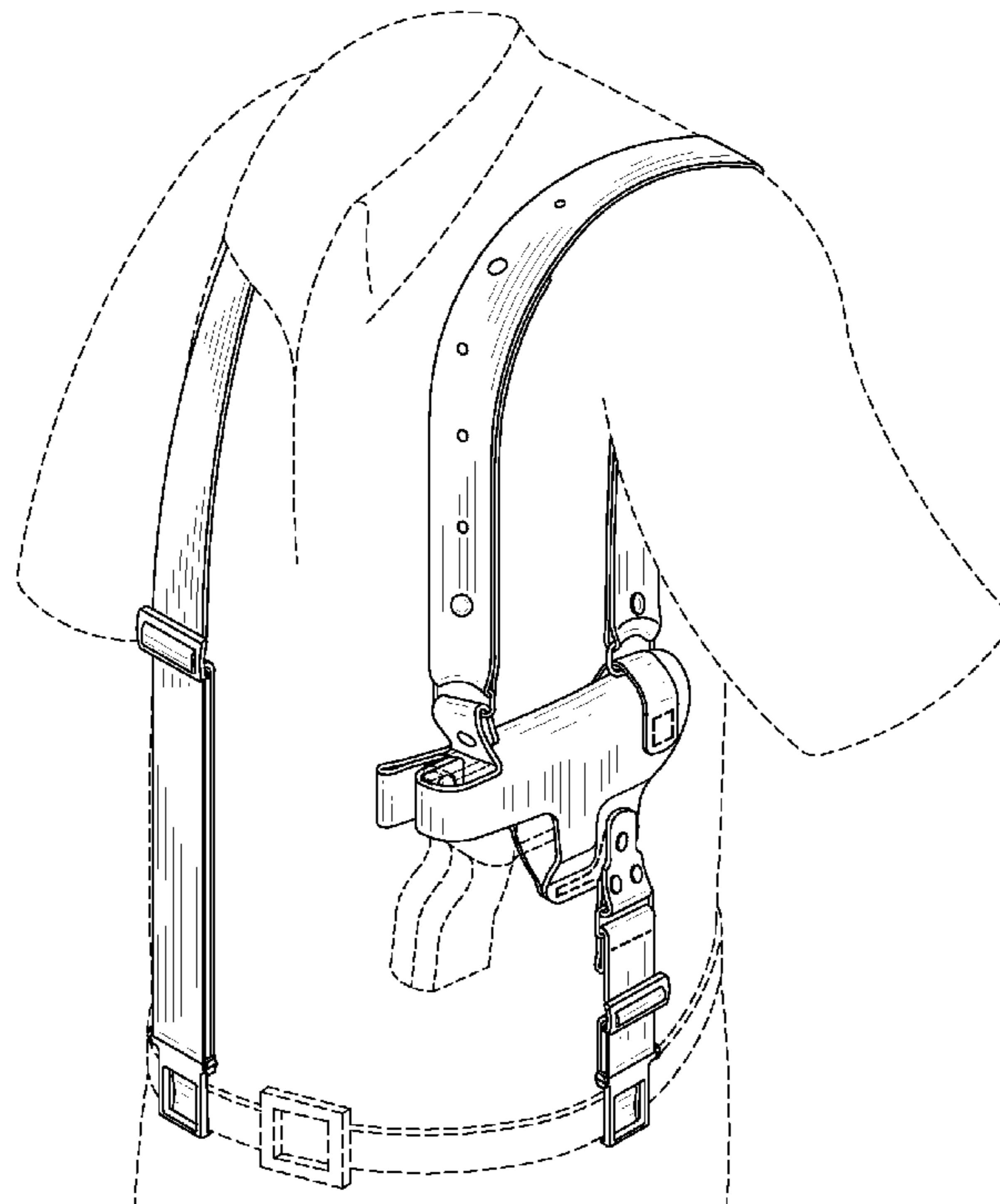
(56) **References Cited**

U.S. PATENT DOCUMENTS

D266,810 S *	11/1982	Spath	D8/373
4,903,874 A *	2/1990	Shoemaker	224/624
5,246,153 A *	9/1993	Beletsky	224/192
5,358,160 A *	10/1994	Bianchi	224/244
D418,674 S *	1/2000	Deas	D3/222
D529,714 S *	10/2006	Rabinovitch	D3/222
D547,942 S *	8/2007	Lavine	D3/218
D547,943 S *	8/2007	Menzel	D3/222
D561,464 S *	2/2008	Courtney	D3/218

* cited by examiner

1 Claim, 3 Drawing Sheets



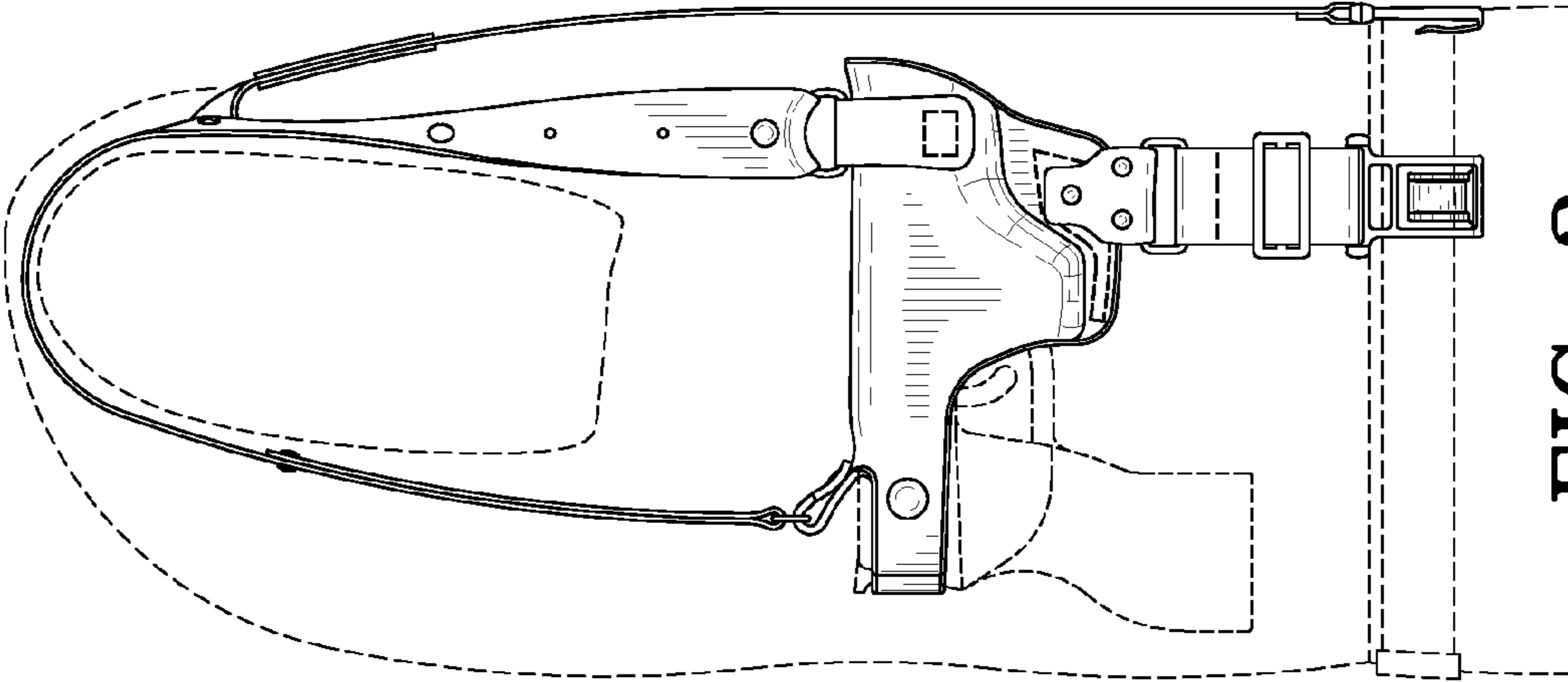


FIG-2

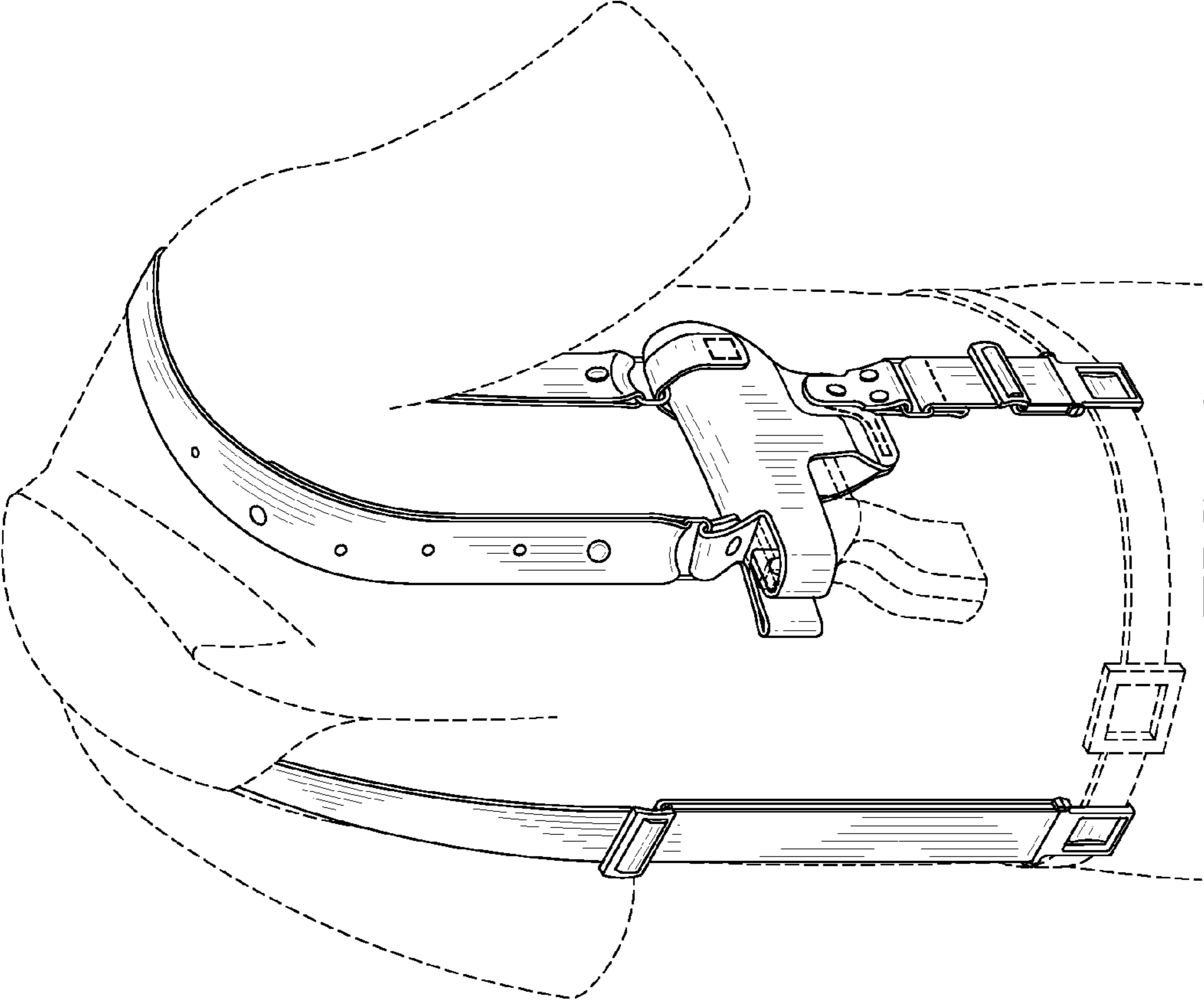


FIG-1

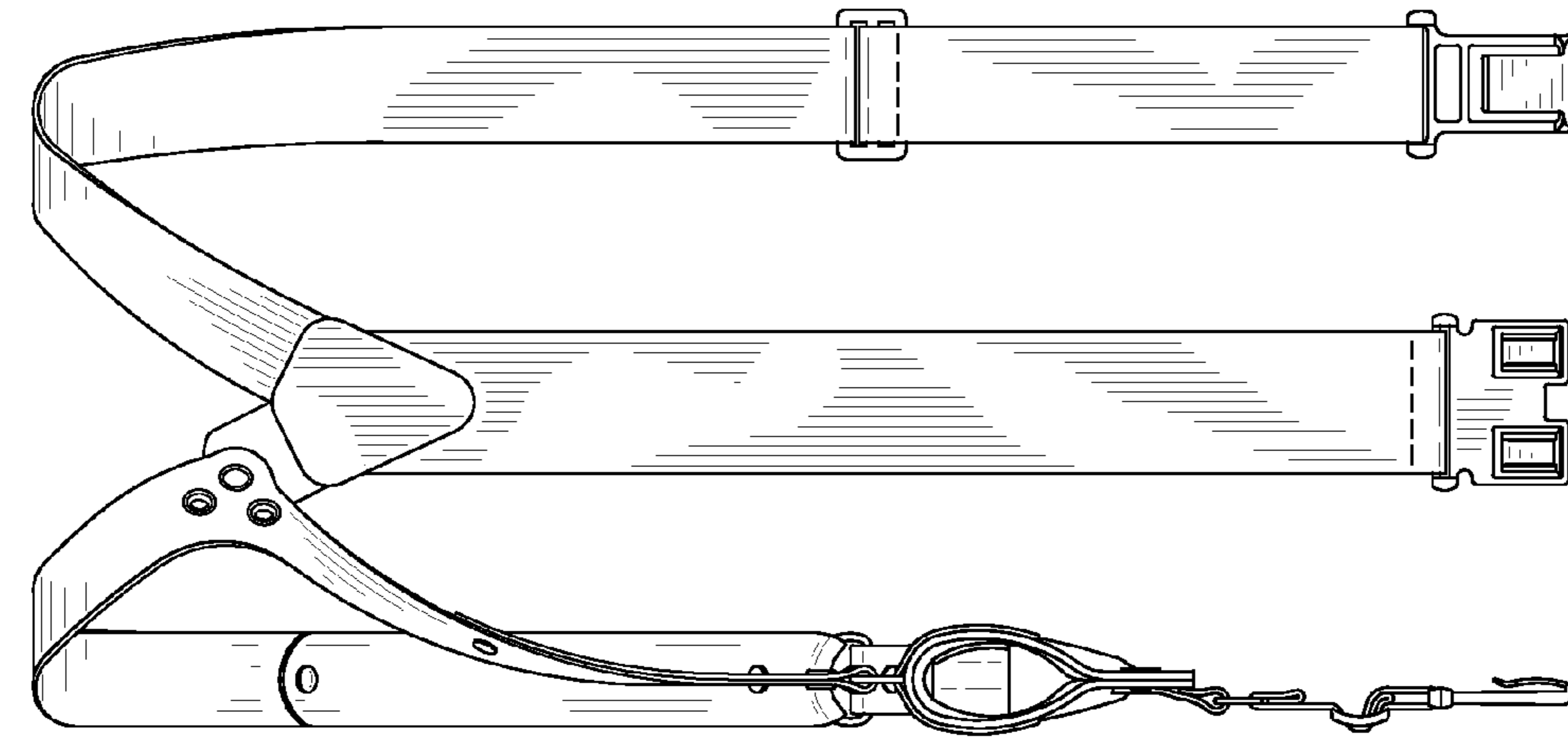


FIG-5

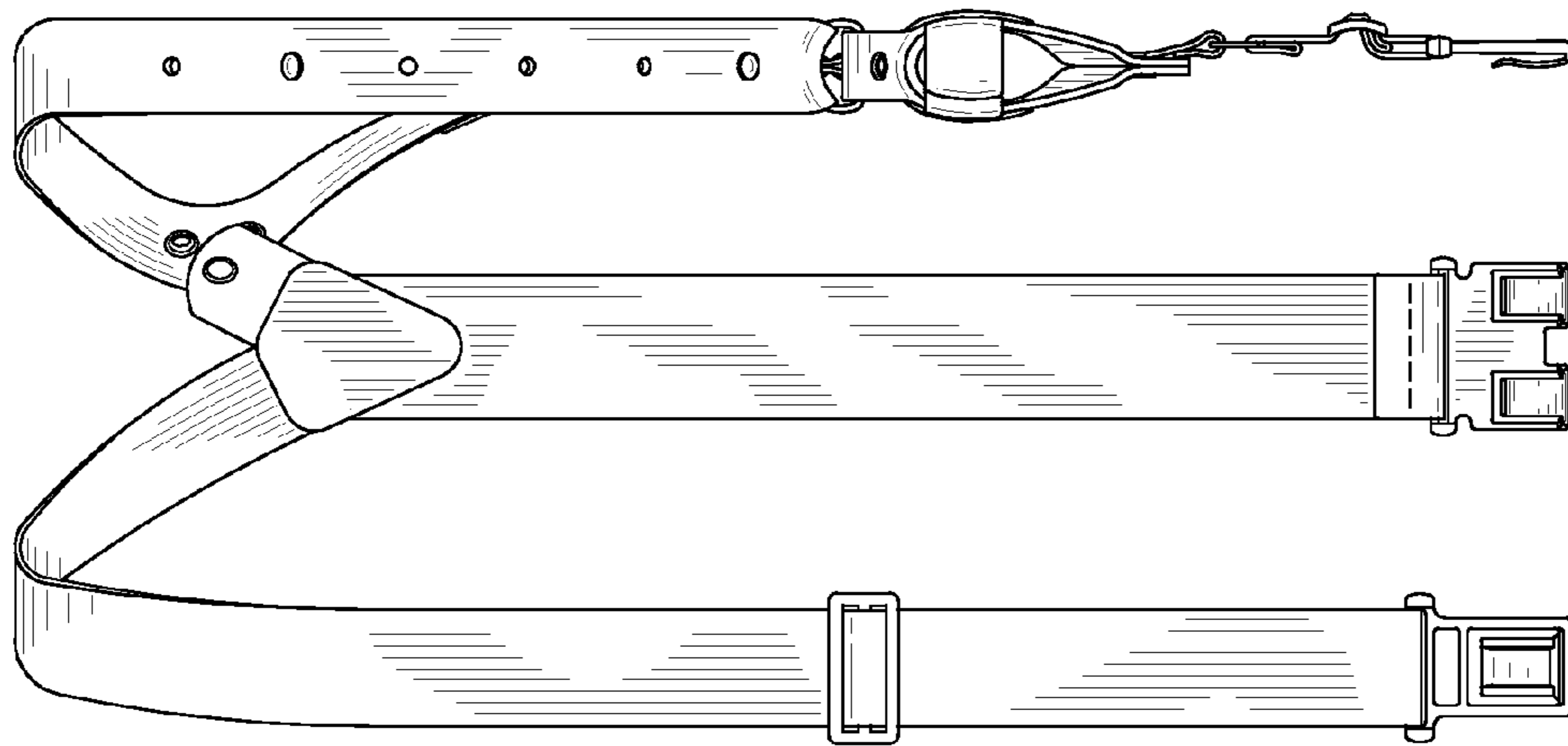


FIG-4

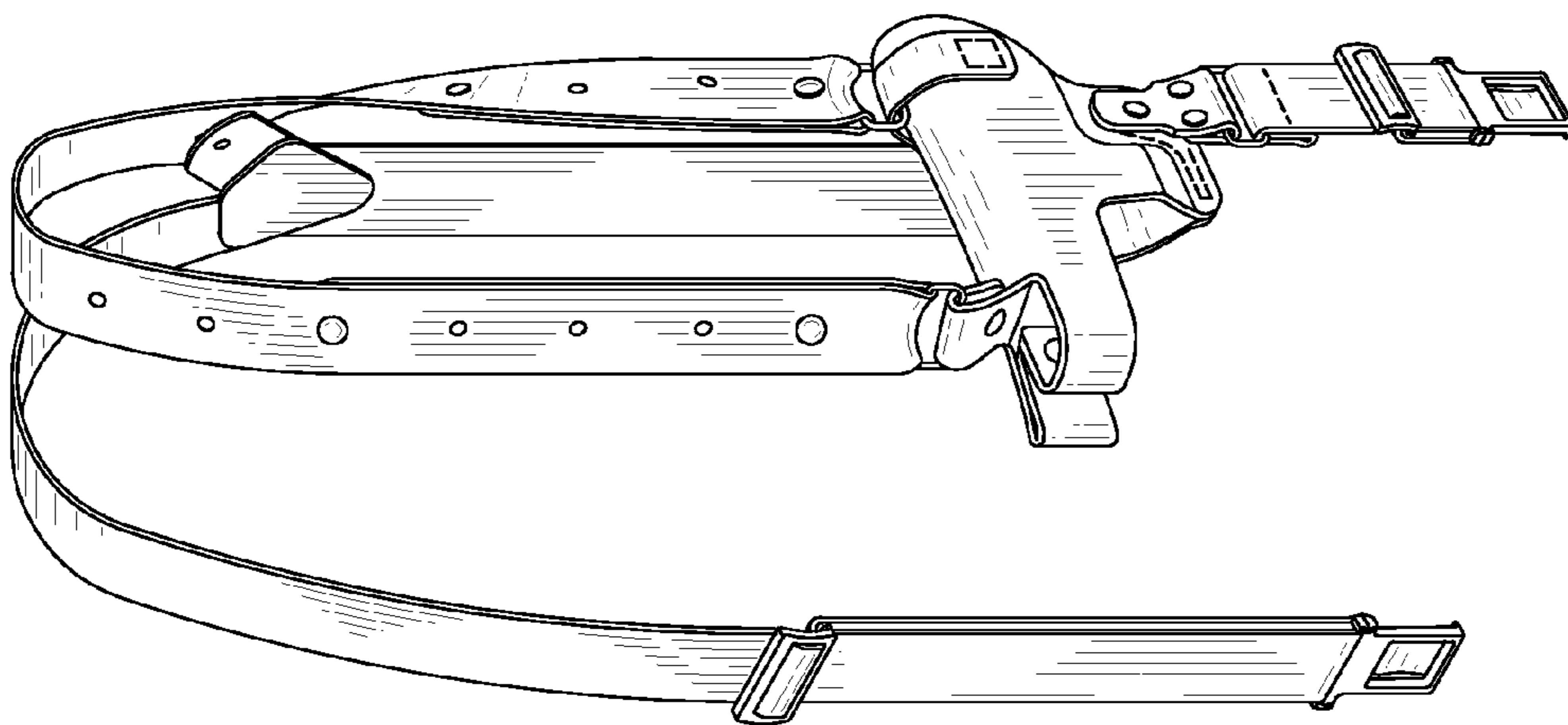


FIG-3

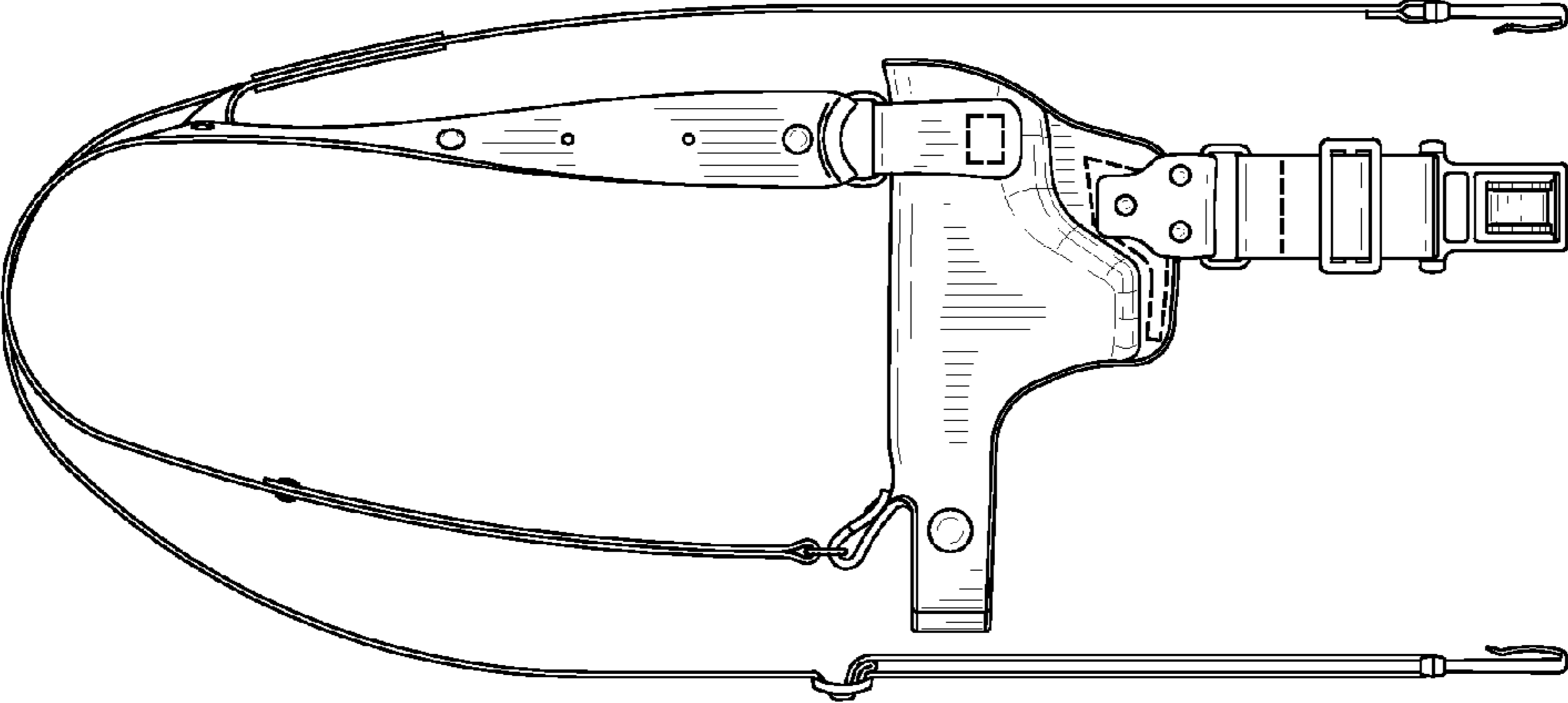


FIG-7

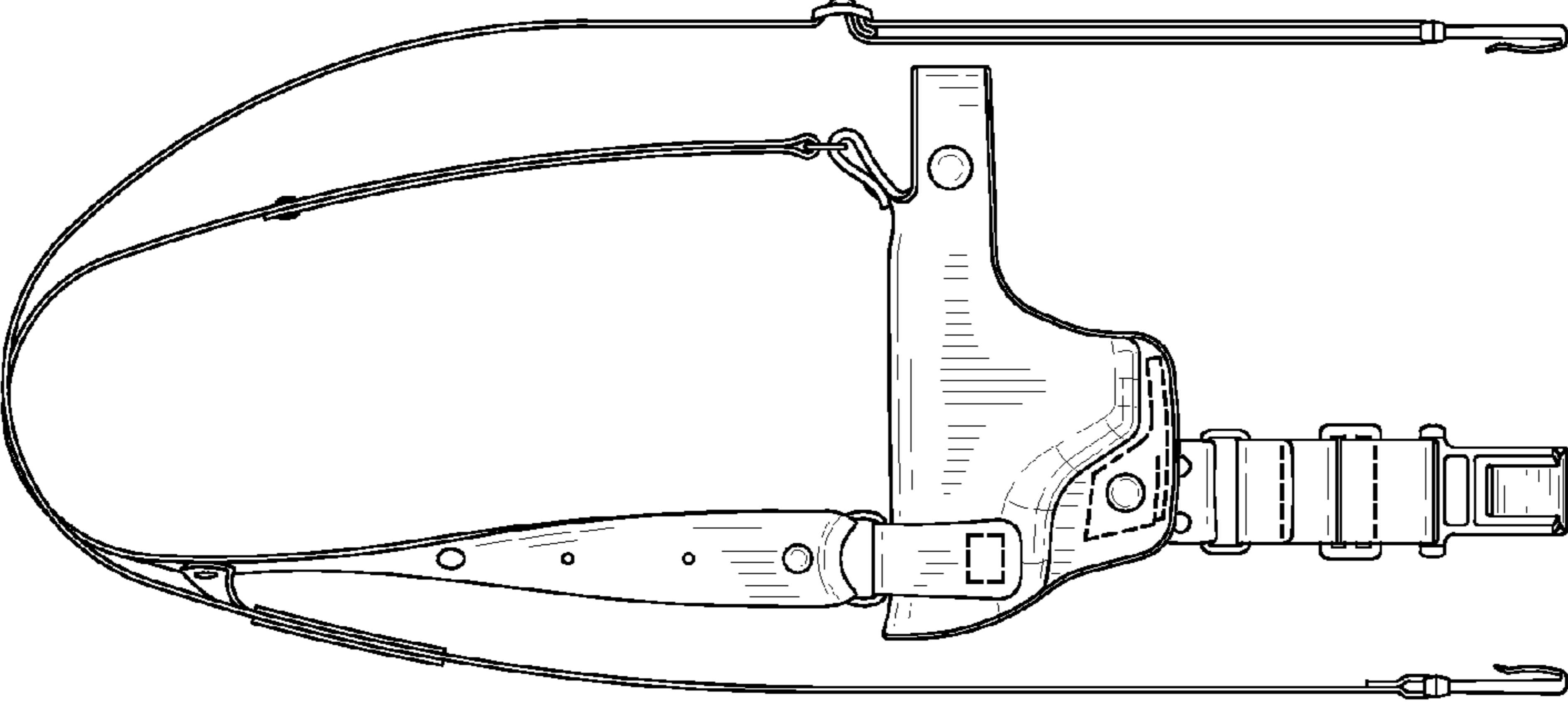


FIG-6