

US00D594632S

(12) **United States Design Patent**
Long

(10) **Patent No.:** **US D594,632 S**
(45) **Date of Patent:** **** Jun. 23, 2009**

(54) **GOWN HAVING ABSORBENT LINING**

(76) Inventor: **Frankie Long**, 2563 Country Club Dr.,
Conyer, GA (US) 30013

(**) Term: **14 Years**

(21) Appl. No.: **29/322,629**

(22) Filed: **Aug. 7, 2008**

(51) **LOC (9) Cl.** **02-02**

(52) **U.S. Cl.** **D2/720**

(58) **Field of Classification Search** D2/717,
D2/720, 739, 840, 841, 844; 2/69, 46, 82,
2/83, 114

See application file for complete search history.

(56) **References Cited**

U.S. PATENT DOCUMENTS

1,004,717	A *	10/1911	White	2/51
3,162,196	A	12/1964	Salk		
3,636,567	A *	1/1972	Benevento	2/115
4,114,621	A	9/1978	Mims, Jr.		
4,383,335	A	5/1983	Slocum		
D325,459	S *	4/1992	Keever	D2/720
5,219,342	A	6/1993	Hatch et al.		
5,290,269	A	3/1994	Heiman		
5,418,978	A	5/1995	Hochman		

5,488,738	A	2/1996	Seamans		
5,778,457	A	7/1998	Conway		
5,819,317	A	10/1998	Conway		
6,484,325	B1 *	11/2002	Lazarus et al.	2/462
D505,768	S *	6/2005	Dallas et al.	D2/717
D514,776	S *	2/2006	Green, Jr.	D2/840
D526,763	S *	8/2006	Tanner et al.	D2/717
D553,674	S *	10/2007	Davanis	D19/6

* cited by examiner

Primary Examiner—Ian Simmons

Assistant Examiner—R. Johnson

(74) *Attorney, Agent, or Firm*—Kyle Fletcher

(57) **CLAIM**

The ornamental design for the gown having absorbent lining,
as shown and described.

DESCRIPTION

FIG. 1 is a front view of a gown having absorbent lining
showing my new design;

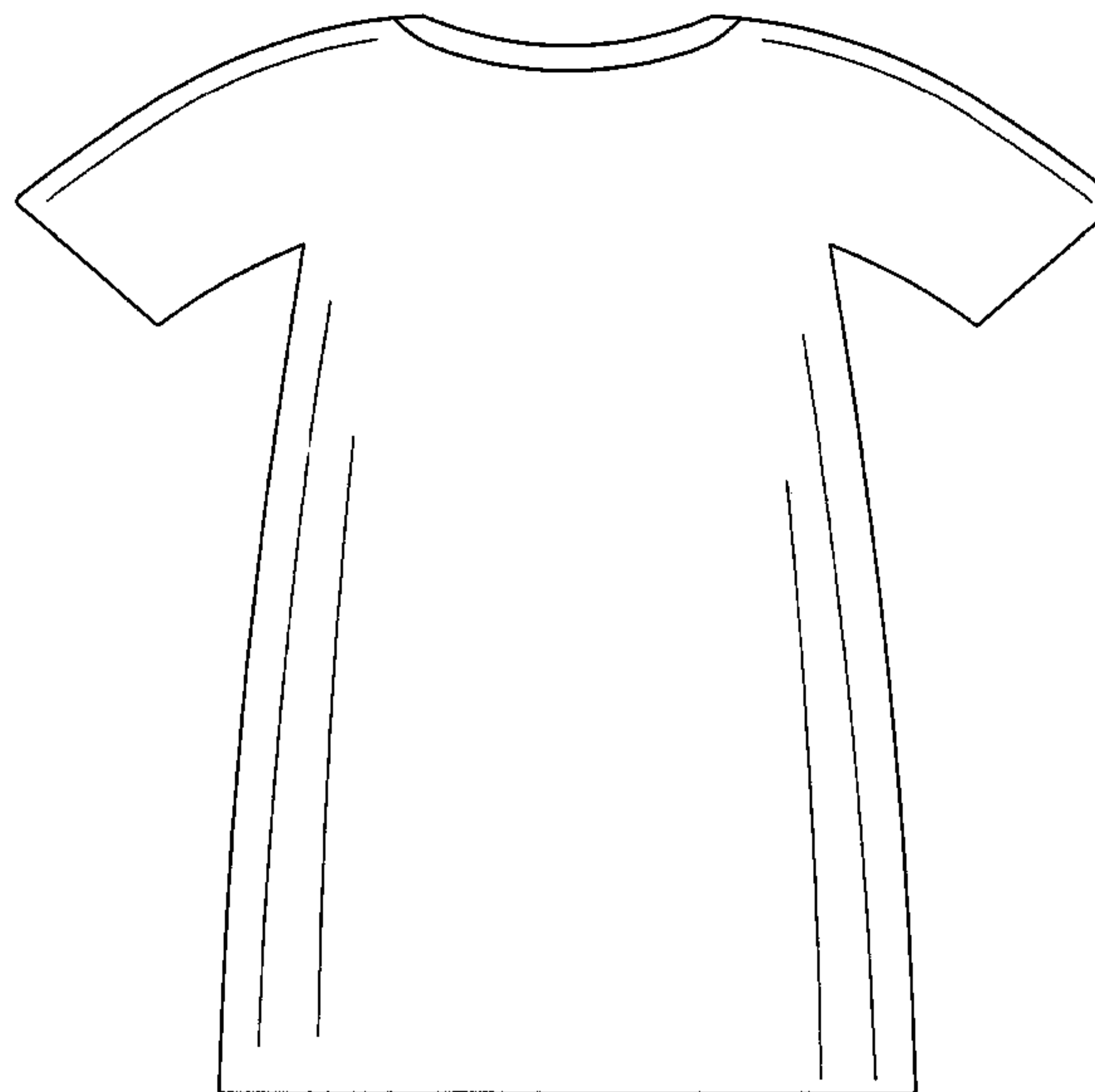
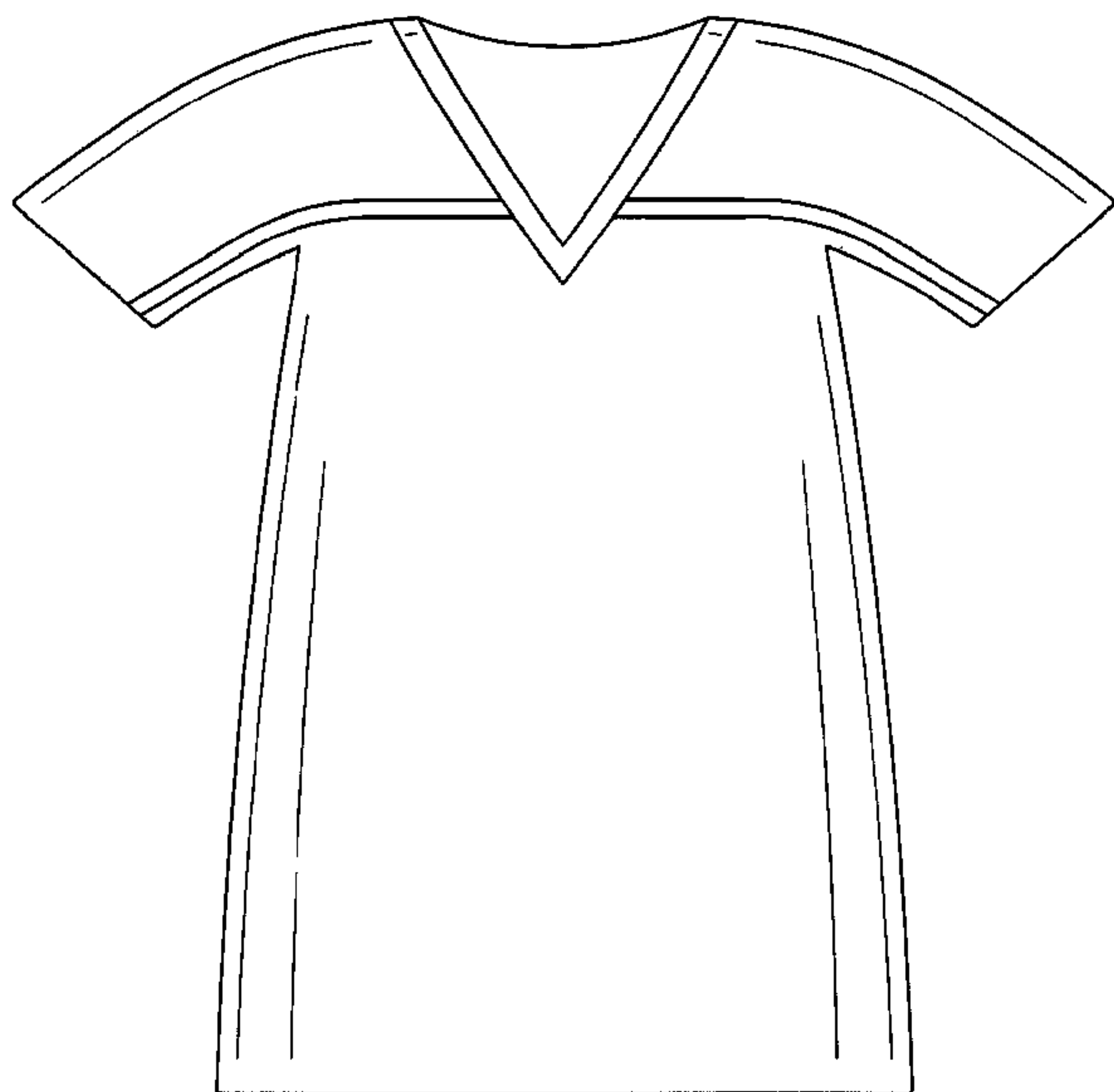
FIG. 2 is a rear view of the device.

FIG. 3 is a left view of the device.

FIG. 4 is a top view of the device; and,

FIG. 5 is a bottom view of the device.

1 Claim, 4 Drawing Sheets



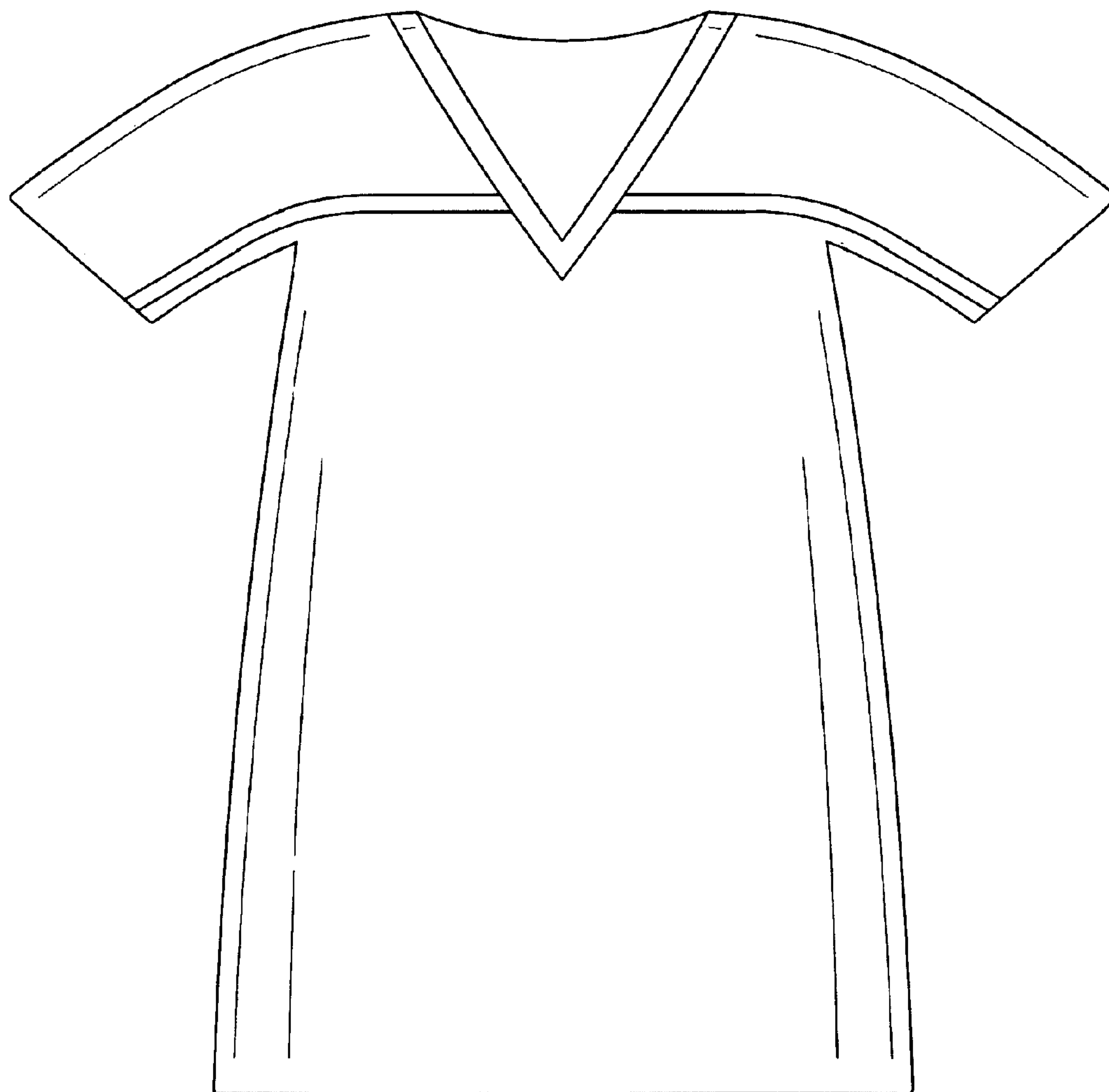


FIG. 1

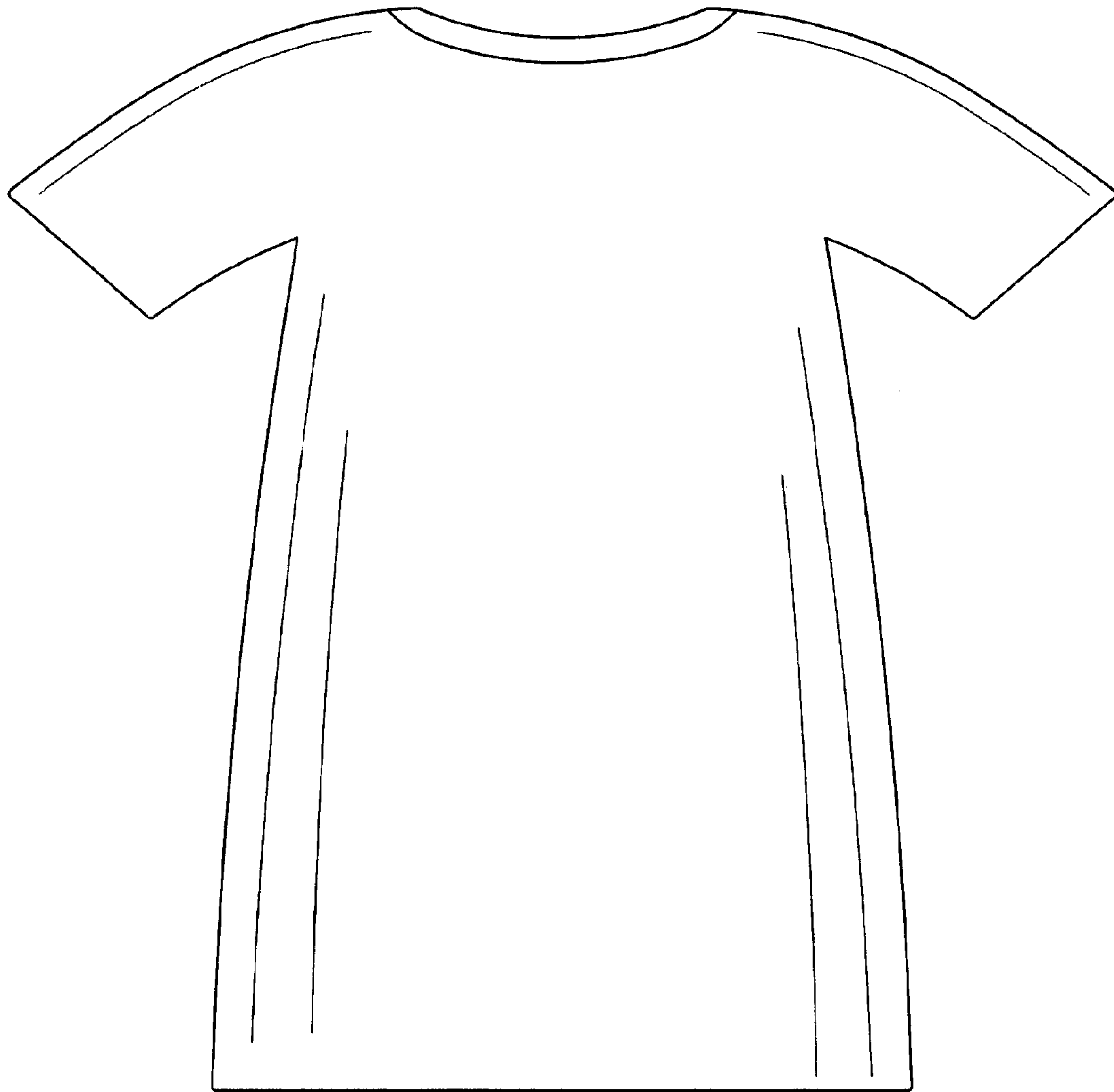


FIG. 2

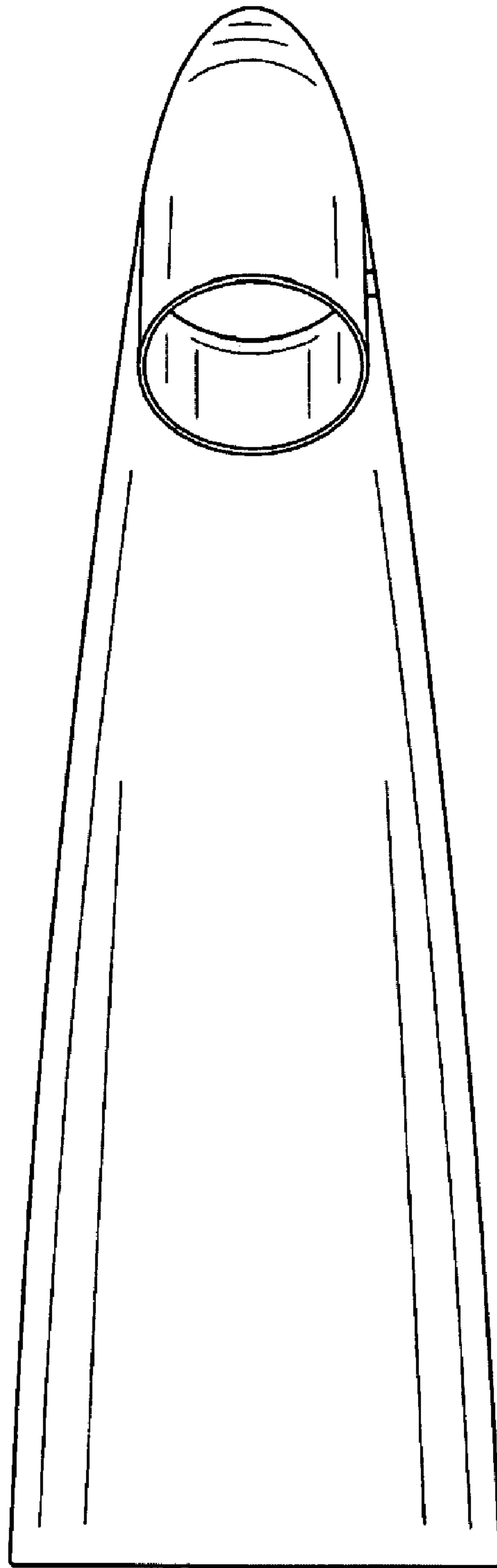


FIG. 3

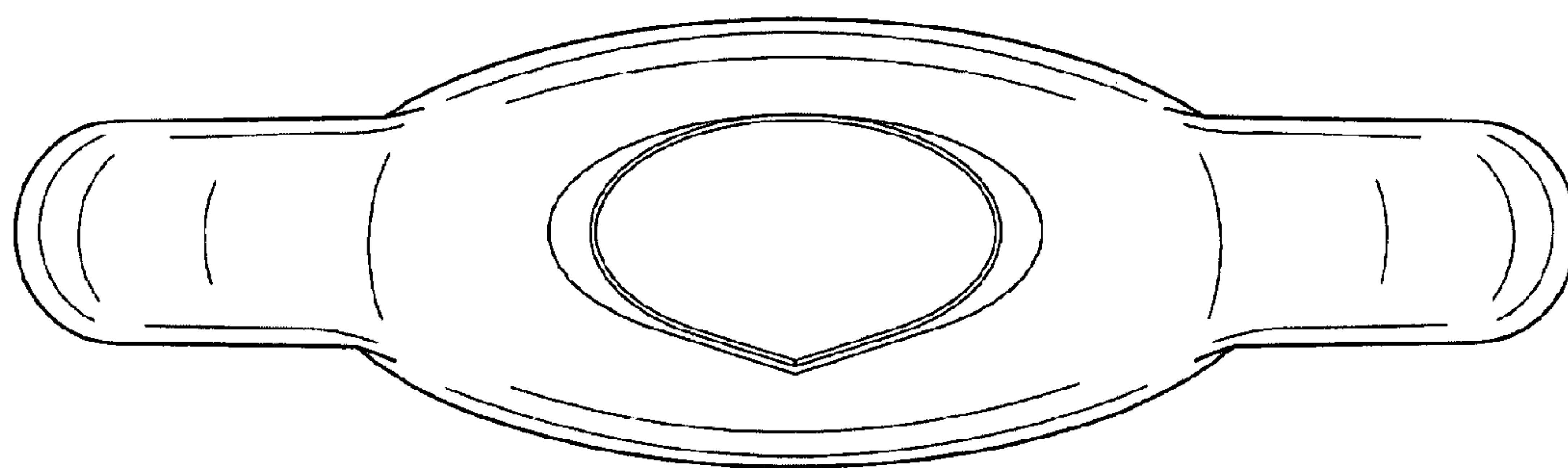


FIG. 4

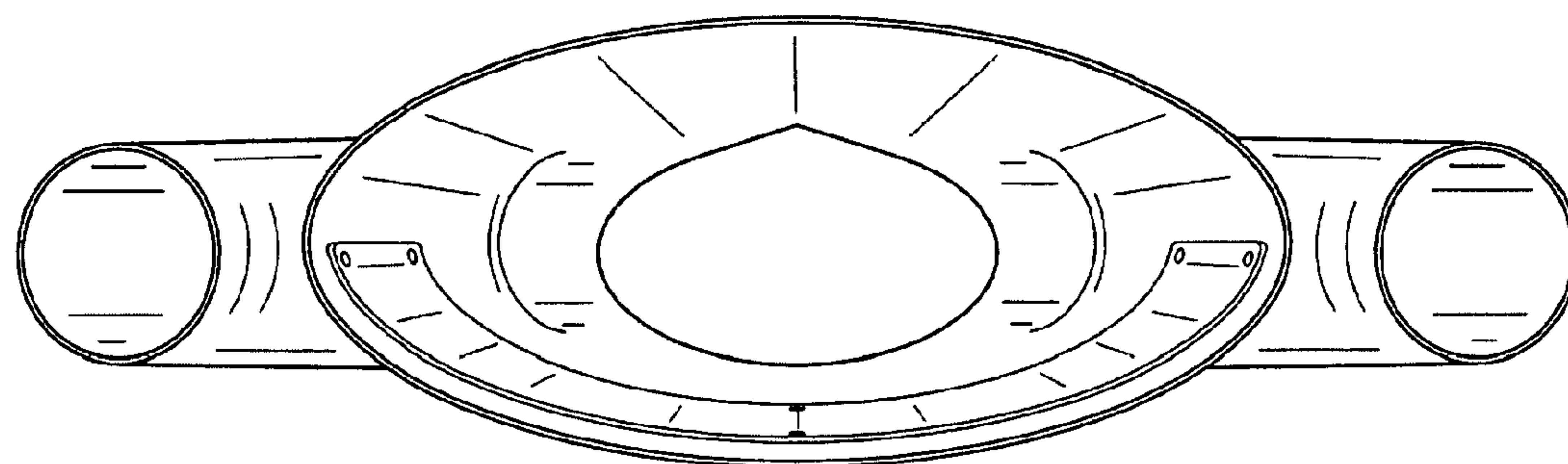


FIG. 5