



US00D594630S

(12) **United States Design Patent**
Tadevich

(10) **Patent No.:** **US D594,630 S**
(45) **Date of Patent:** **** Jun. 23, 2009**

(54) **WRISTBAND AND HAND/FINGER PROTECTOR**

(76) Inventor: **Frank Matthew Tadevich**, 2188
Teagarden Common, Livermore, CA
(US) 94551-9058

(**) Term: **14 Years**

(21) Appl. No.: **29/330,604**

(22) Filed: **Jan. 9, 2009**

(51) **LOC (9) Cl.** **02-06**

(52) **U.S. Cl.** **D2/610**

(58) **Field of Classification Search** D2/610,
D2/612, 614-623; D29/113, 116.2, 117.1-119,
D29/120.1, 123; 2/16, 159, 161.1-161.8,
2/162, 198, 170, 455, 908, 917; D24/190;
D28/63; D32/40, 42, 43, 41; D21/807, 682-684;
D3/215, 224, 226, 218; 224/219, 222, 267,
224/237; 40/586, 633; 15/104.94, 107, 227;
D4/134; D20/33; 482/105-108

See application file for complete search history.

(56) **References Cited**

U.S. PATENT DOCUMENTS

3,490,766 A * 1/1970 Gardner 482/105
4,675,915 A * 6/1987 Siciliano 2/181
D297,343 S * 8/1988 Winston D21/683
4,966,365 A * 10/1990 Winston 482/105
4,997,183 A * 3/1991 Winston 482/105

D362,701 S * 9/1995 Reilly D21/683
D413,367 S * 8/1999 Eckmann D21/683
D418,559 S * 1/2000 Cousins D21/683
2006/0046912 A1 * 3/2006 Tomlin 482/105

* cited by examiner

Primary Examiner—Raphael Barkai
Assistant Examiner—Randall H Gholson

(57) **CLAIM**

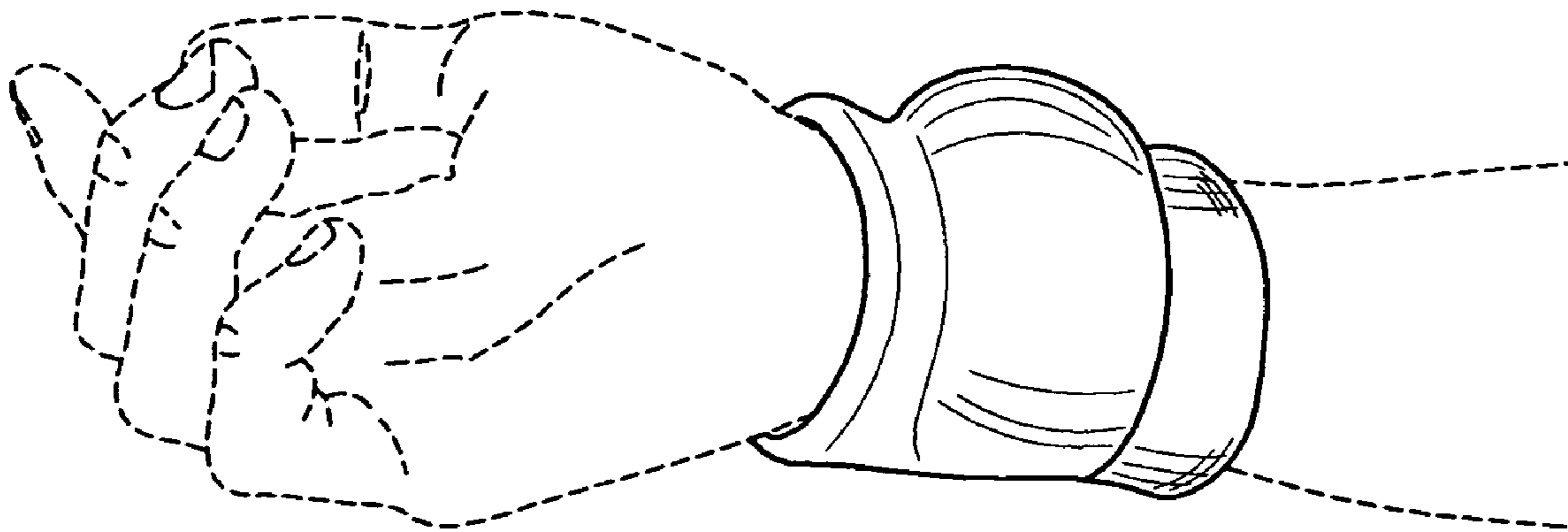
The ornamental design for a wristband and hand/finger protector, as shown and described.

DESCRIPTION

FIG. 1 is a left perspective view of the invention.
FIG. 2 is a front view of the invention in an alternate position.
FIG. 3 is a front perspective view of the invention.
FIG. 4 is a front elevational view of the invention.
FIG. 5 is a left elevational view of the invention.
FIG. 6 is a bottom plan view of the invention.
FIG. 7 is a back elevational view of the invention.
FIG. 8 is a right elevational view of the invention; and,
FIG. 9 is a top plan view of the invention.

The broken line showing of a hand and wrist is included for the purpose of illustrating the wristband and hand/finger protector and forms no part of the claimed design.

1 Claim, 3 Drawing Sheets



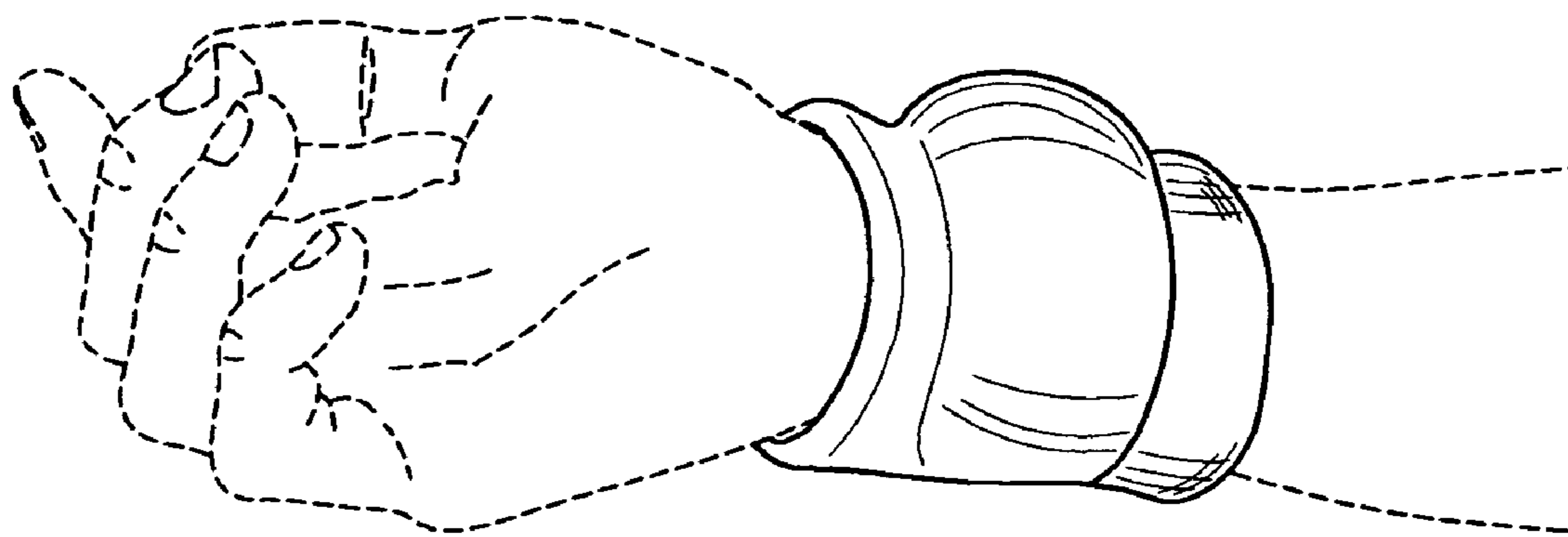


FIG. 1

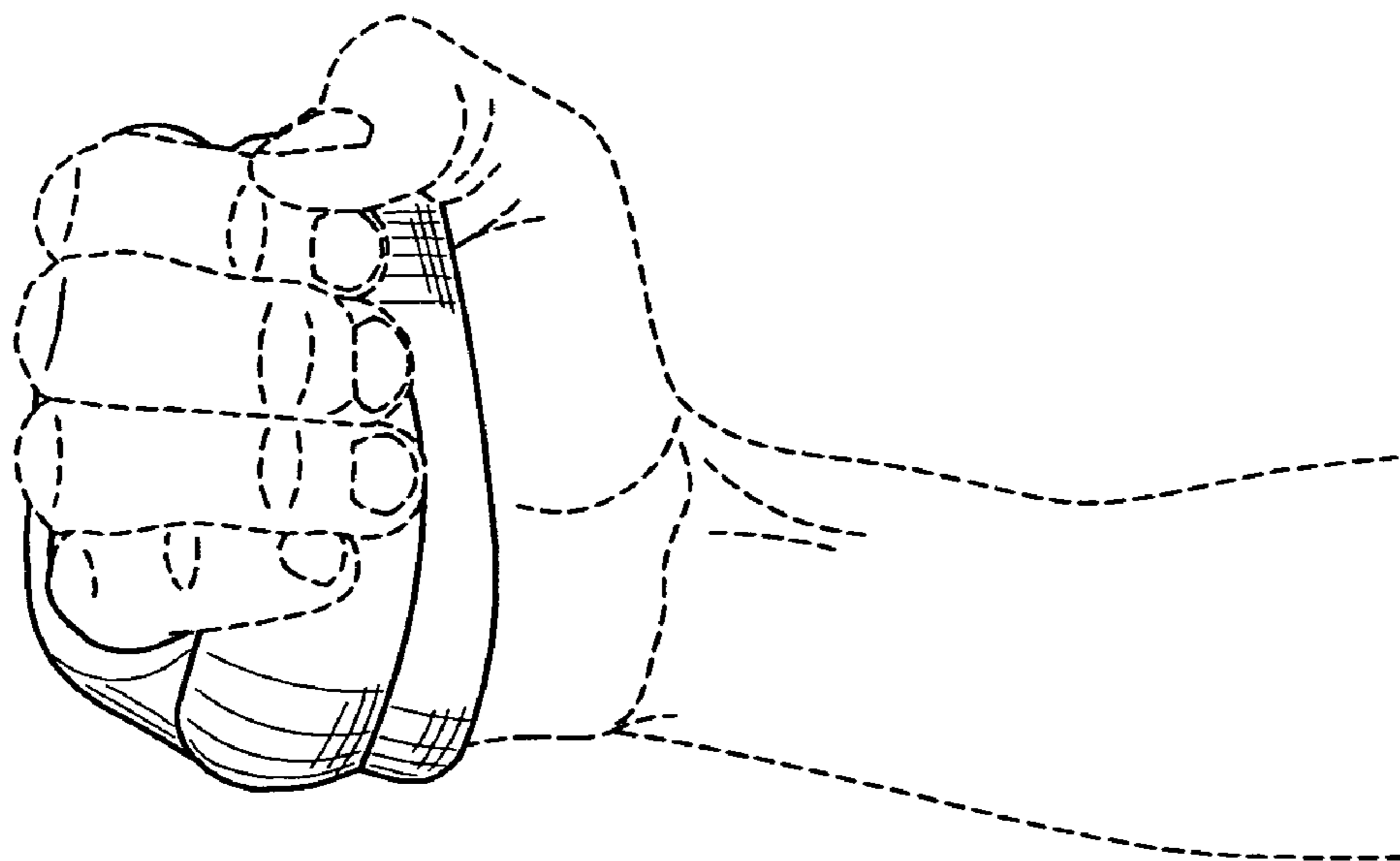


FIG. 2

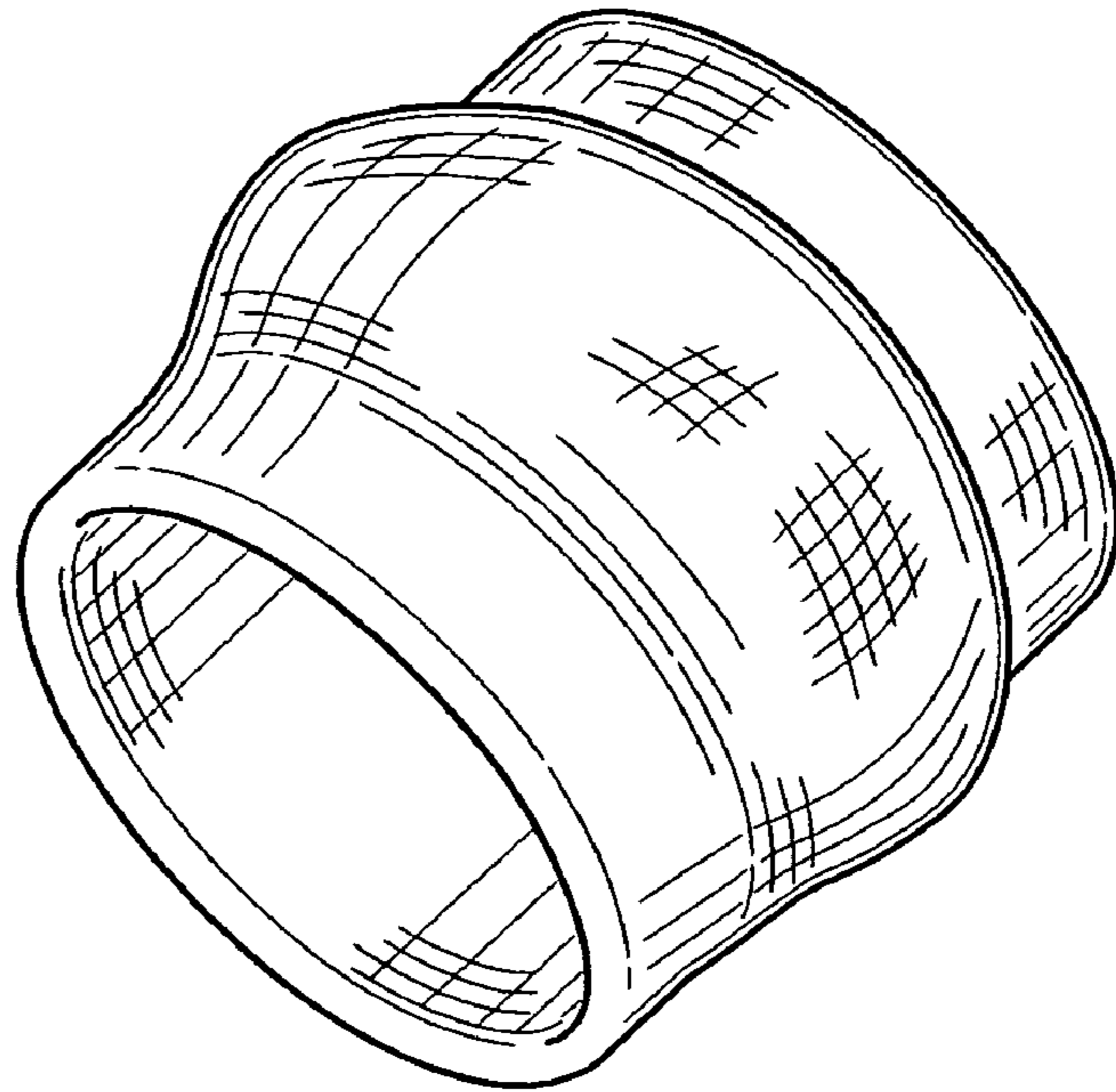


FIG. 3

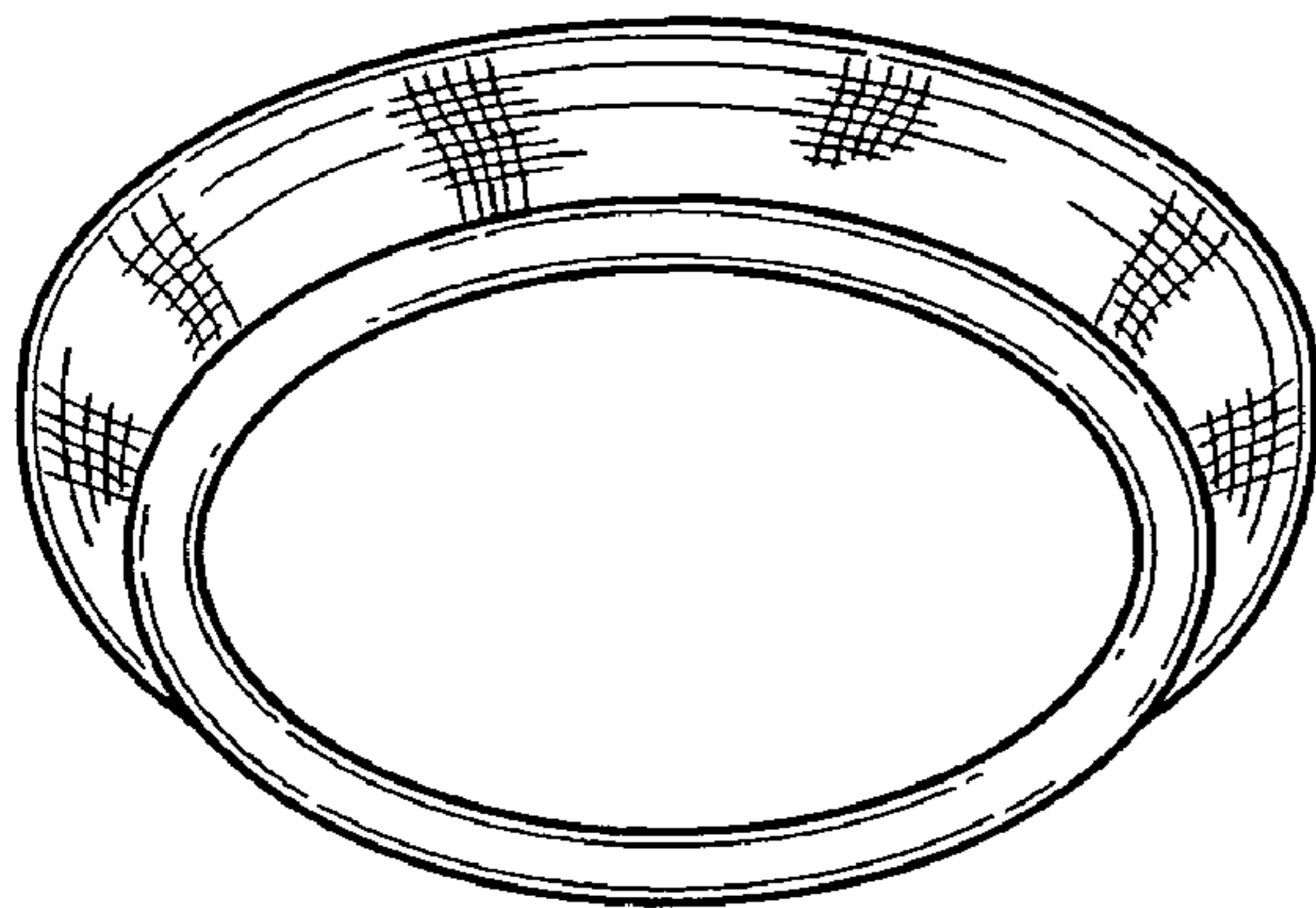


FIG. 6

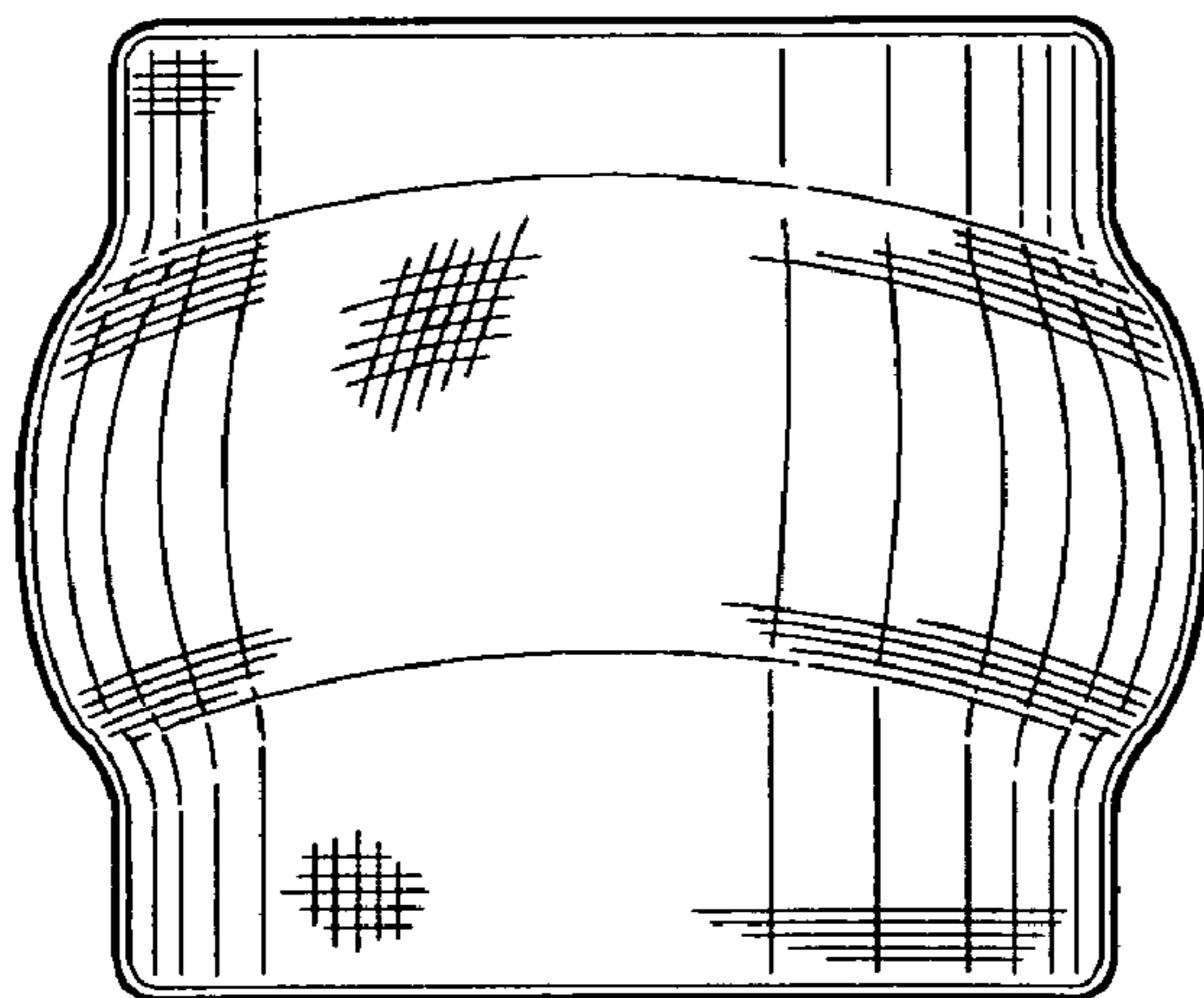


FIG. 4

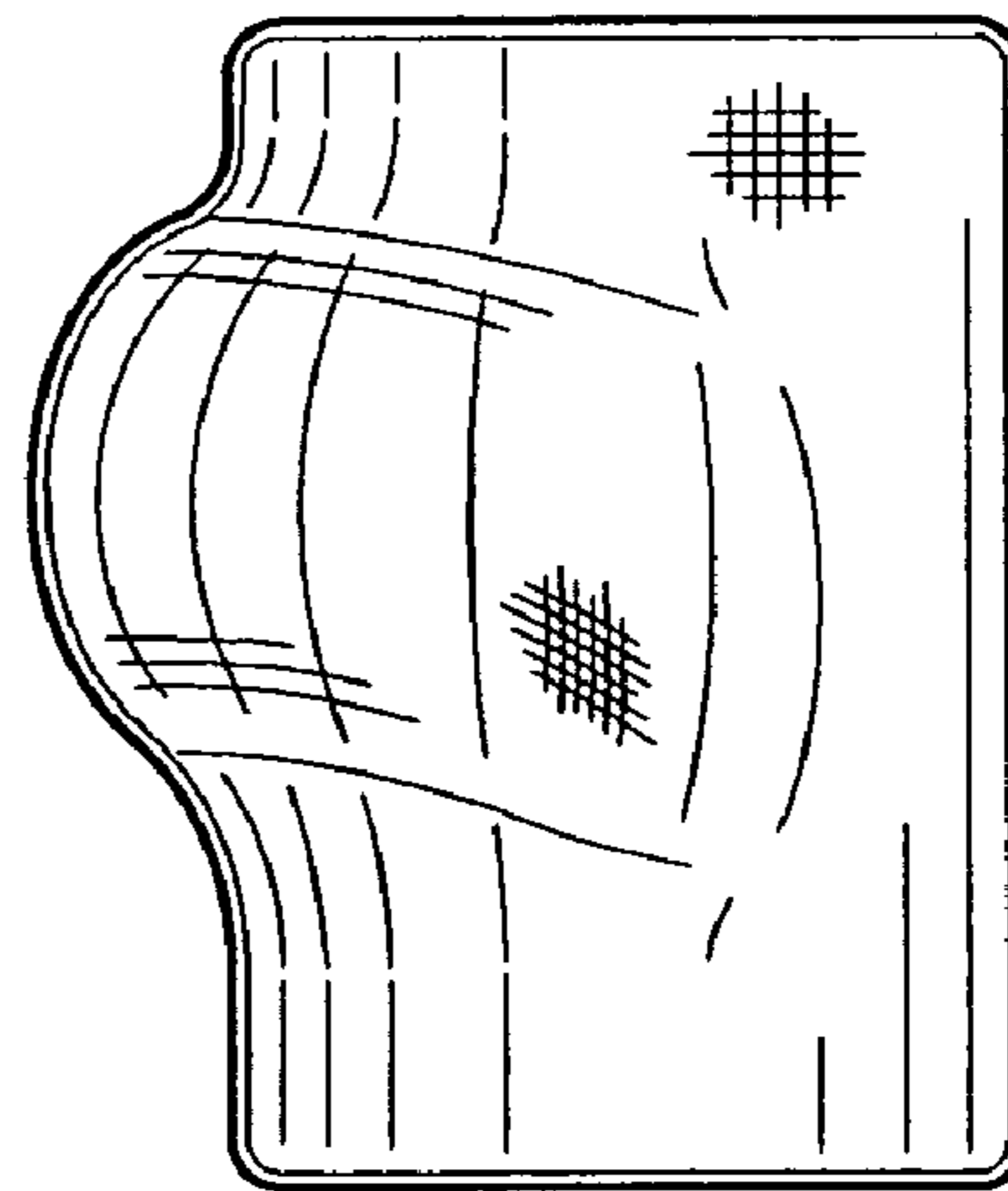


FIG. 5

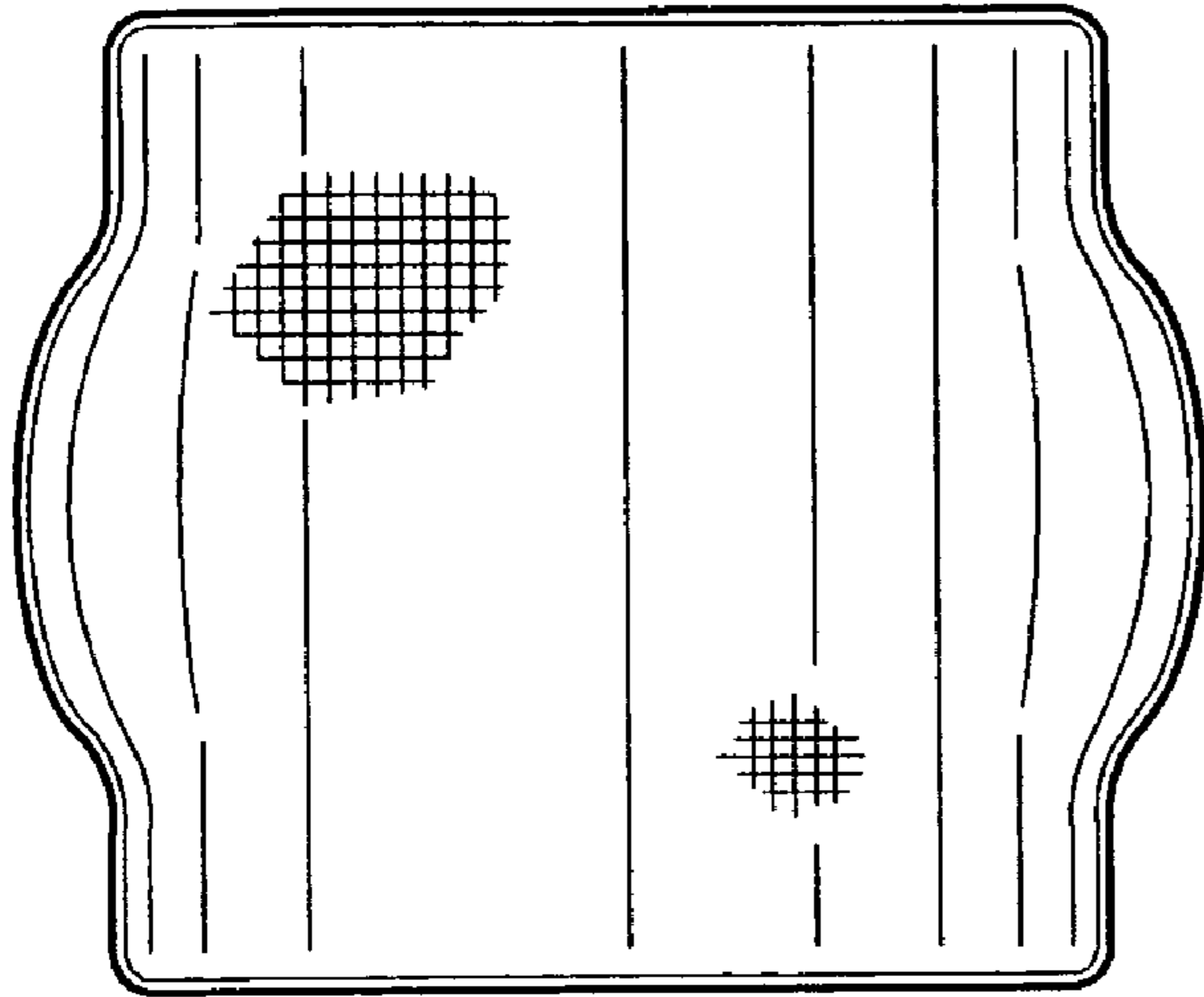


FIG. 7

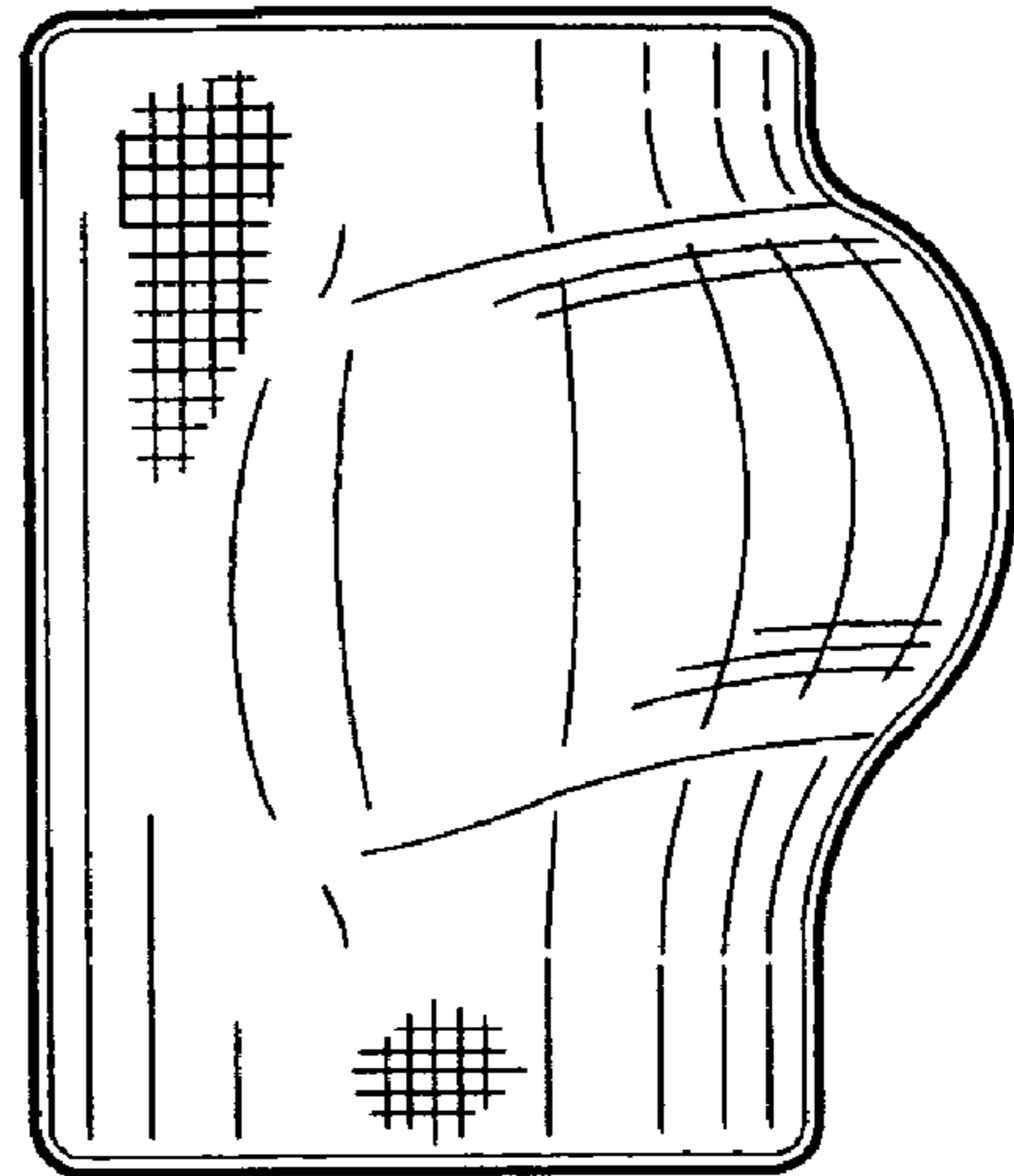


FIG. 8

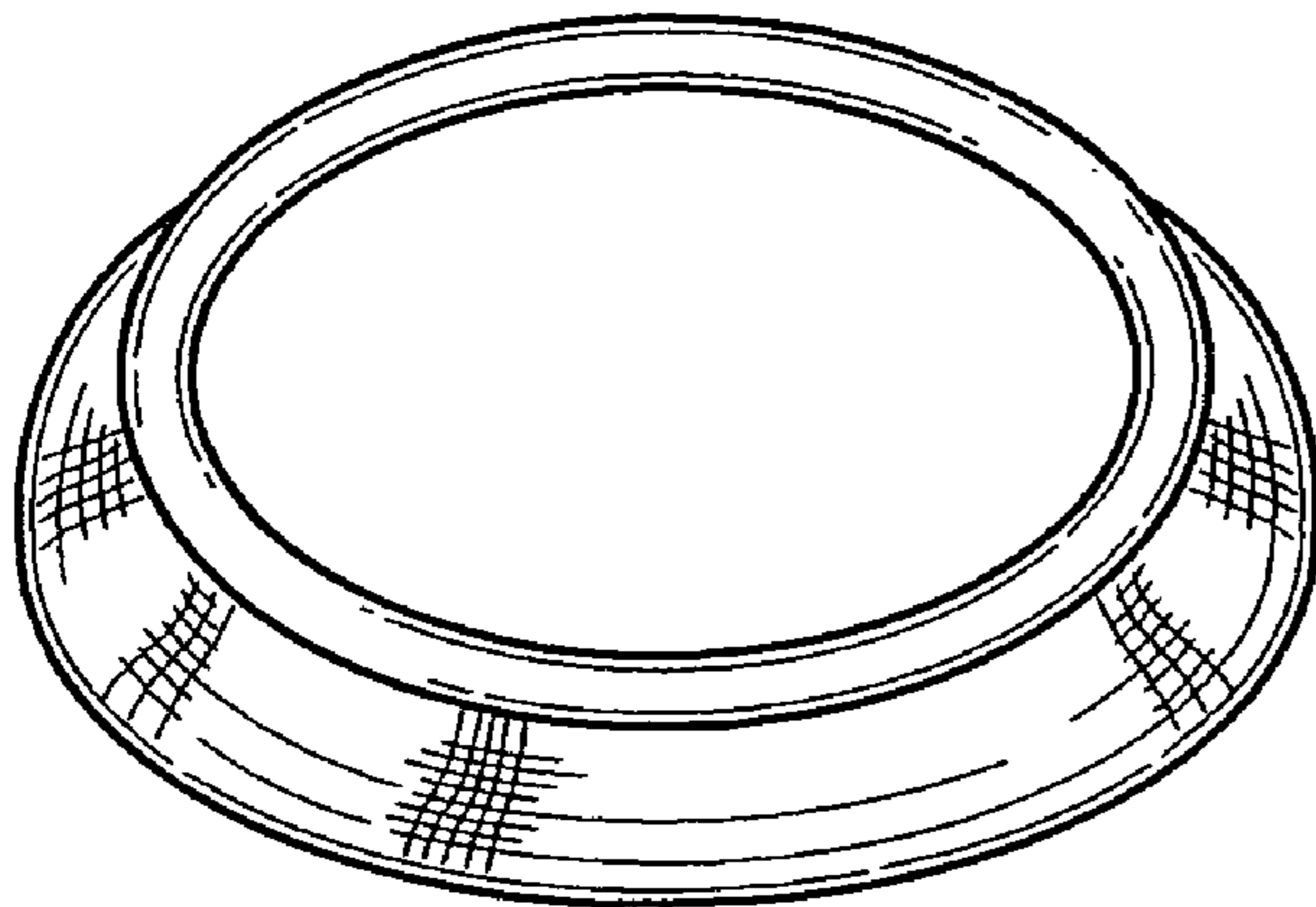


FIG. 9