



US00D594629S

(12) **United States Design Patent**
Tadevich

(10) **Patent No.:** **US D594,629 S**
(45) **Date of Patent:** **** Jun. 23, 2009**

(54) **WRISTBAND AND HAND/FINGER PROTECTOR**

(76) Inventor: **Frank Matthew Tadevich**, 2188
Teagarden Common, Livermore, CA
(US) 94551-9058

(**) Term: **14 Years**

(21) Appl. No.: **29/330,599**

(22) Filed: **Jan. 9, 2009**

(51) **LOC (9) Cl.** **02-06**

(52) **U.S. Cl.** **D2/610**

(58) **Field of Classification Search** D2/610-623;
D29/113, 116.2, 117.1-119, 123, 120.1, 121.1,
D29/121.2; 2/16, 159, 161.1-161.8, 162,
2/198, 455, 19, 910; D24/190; D28/63;
D32/42, 43

See application file for complete search history.

(56) **References Cited**

U.S. PATENT DOCUMENTS

3,490,766	A *	1/1970	Gardner	482/105
3,490,768	A *	1/1970	Archer	473/213
4,675,915	A *	6/1987	Siciliano	2/181
D297,343	S *	8/1988	Winston	D21/683
4,966,365	A *	10/1990	Winston	482/105
4,997,183	A *	3/1991	Winston	482/105
D362,701	S *	9/1995	Reilly	D21/683
D413,367	S *	8/1999	Eckmann	D21/683

D418,559	S *	1/2000	Cousins	D21/683
D433,197	S *	10/2000	Niksich	D29/120.1
D556,950	S *	12/2007	Lettau	D29/120.1
2006/0046912	A1 *	3/2006	Tomlin	482/105

* cited by examiner

Primary Examiner—Raphael Barkai
Assistant Examiner—Randall H Gholson

(57) **CLAIM**

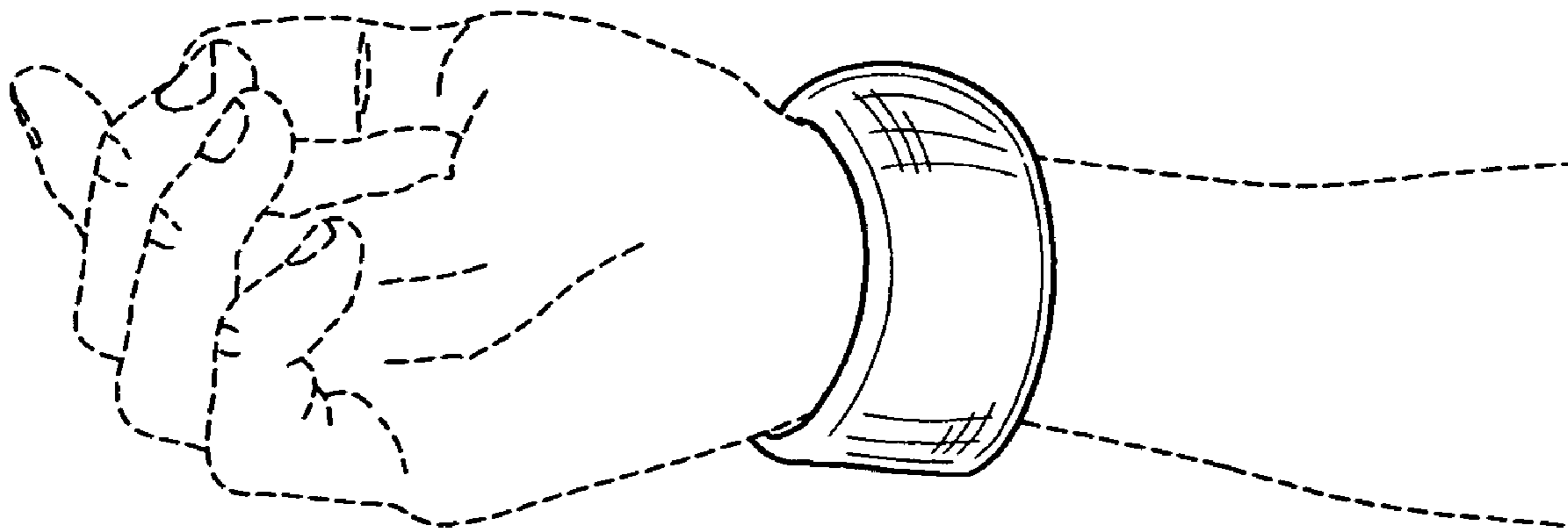
The ornamental design for a wristband and hand/finger protector, as shown and described.

DESCRIPTION

FIG. 1 is a left perspective view of the invention.
FIG. 2 is a front elevational view of the invention.
FIG. 3 is a front perspective view of the invention.
FIG. 4 is a front elevational view of the invention.
FIG. 5 is a left elevational view of the invention.
FIG. 6 is a bottom plan view of the invention.
FIG. 7 is a back elevational view of the invention.
FIG. 8 is a right elevational view of the invention; and,
FIG. 9 is a top plan view of the invention.

The broken line showing of a hand and wrist is included for the purpose of illustrating the wristband and hand/finger protector and forms no part of the claimed design.

1 Claim, 3 Drawing Sheets



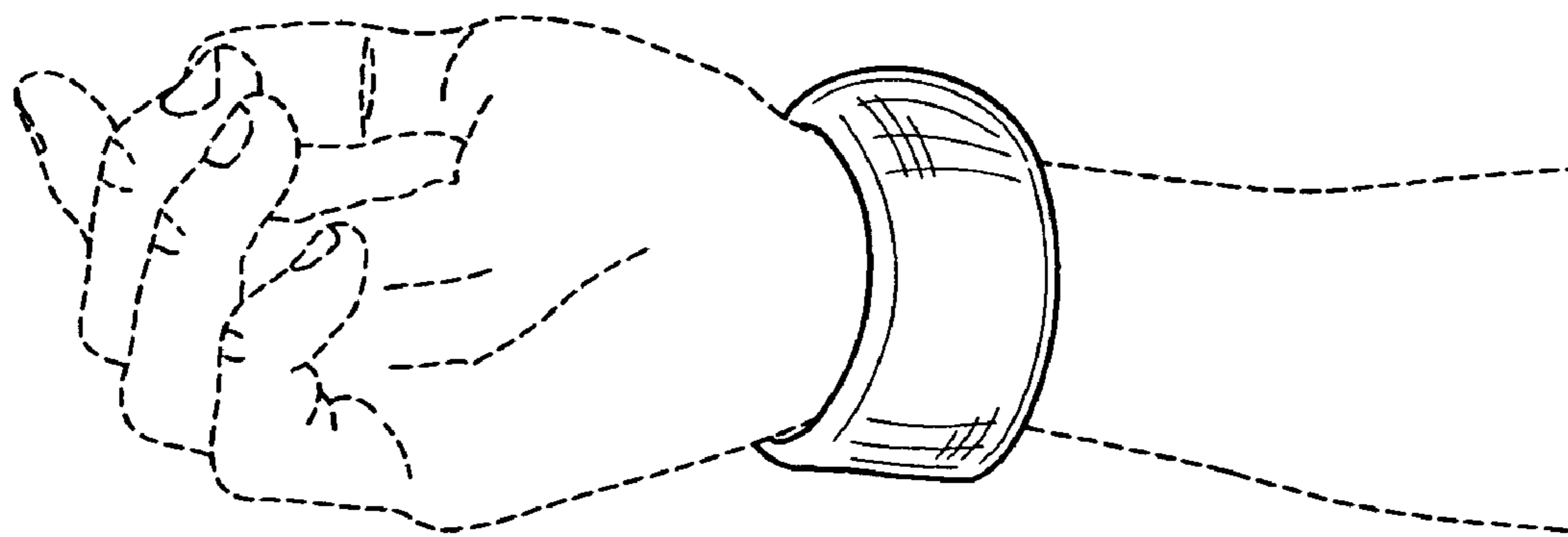


FIG. 1

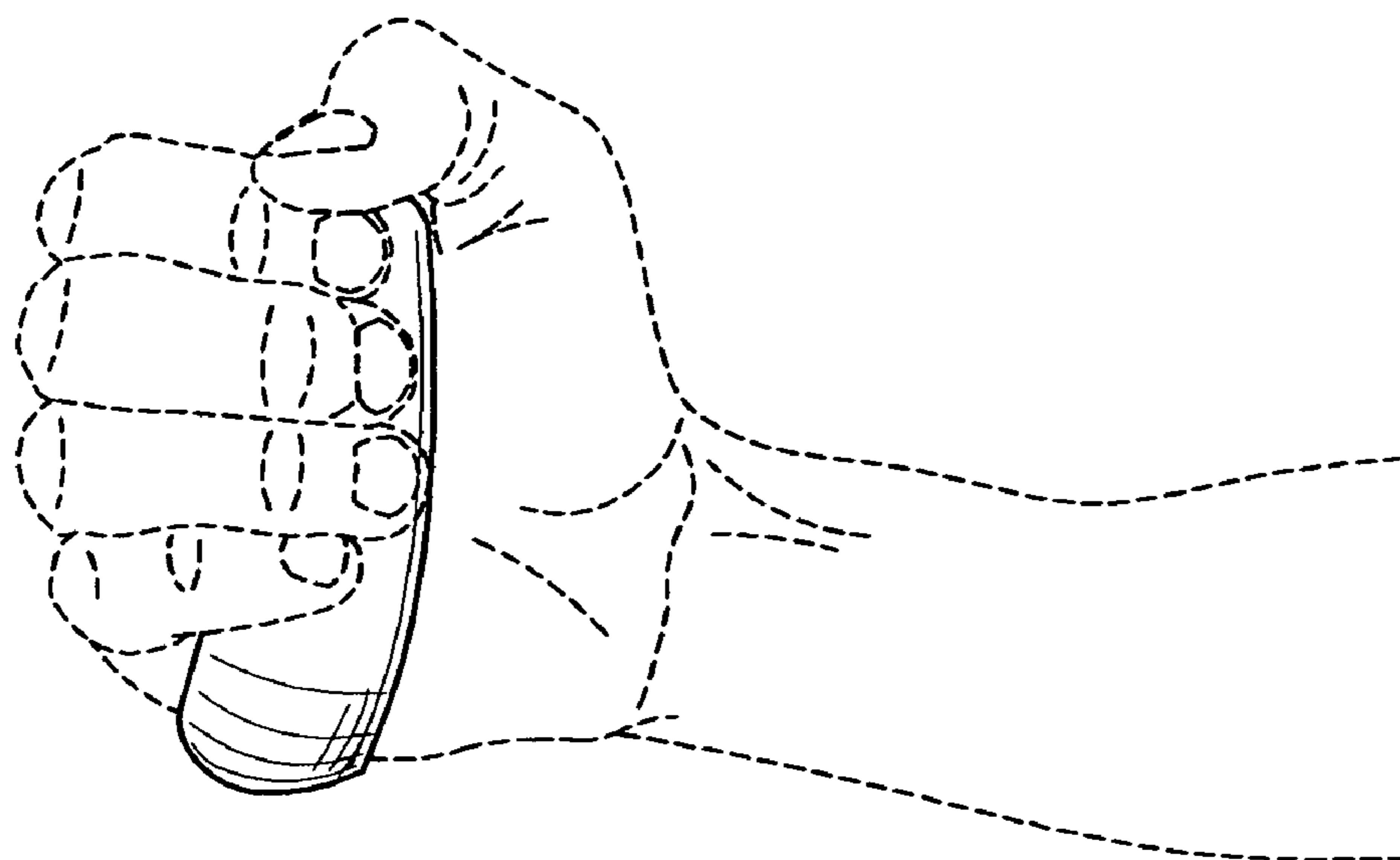


FIG. 2

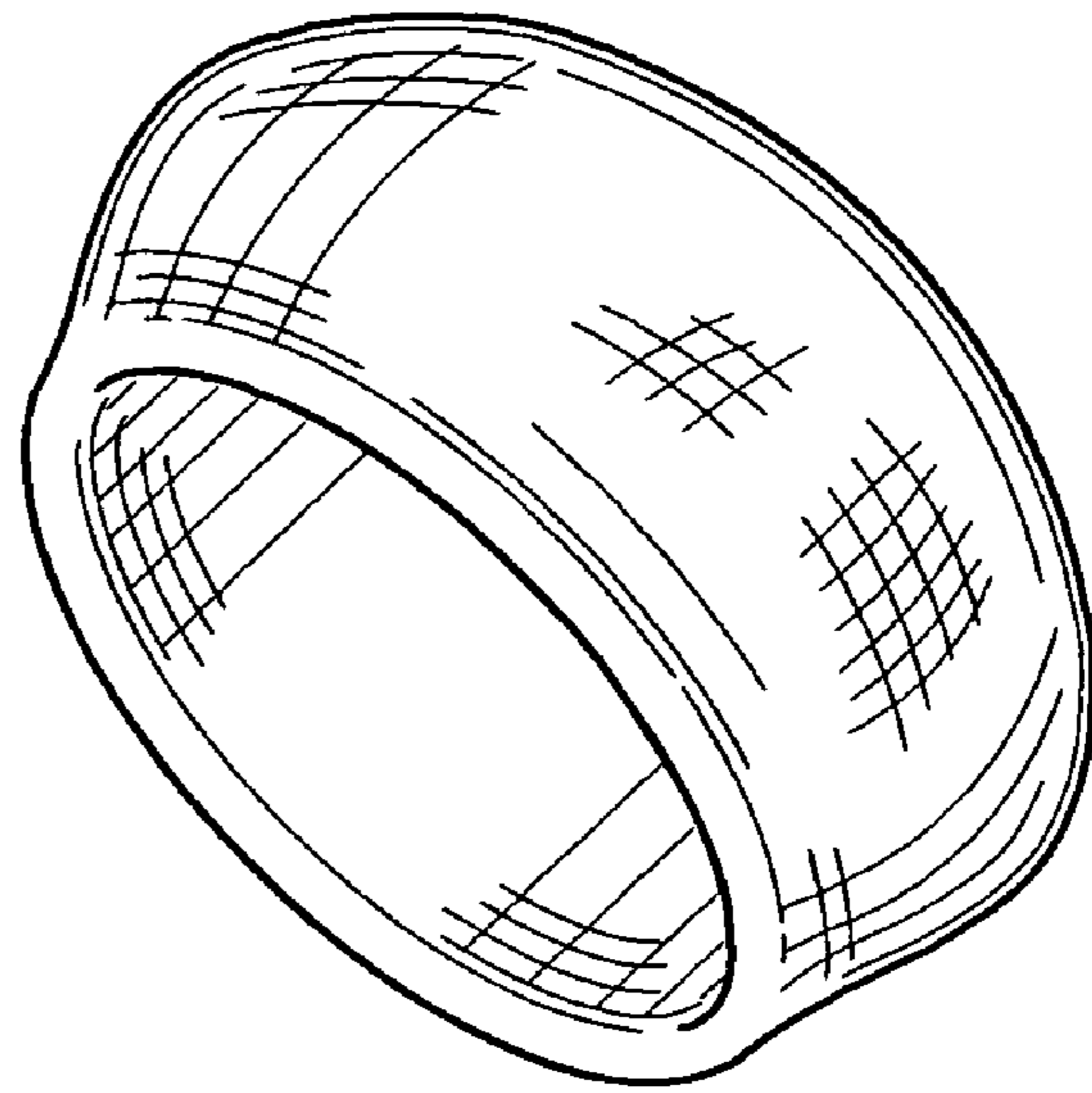


FIG. 3

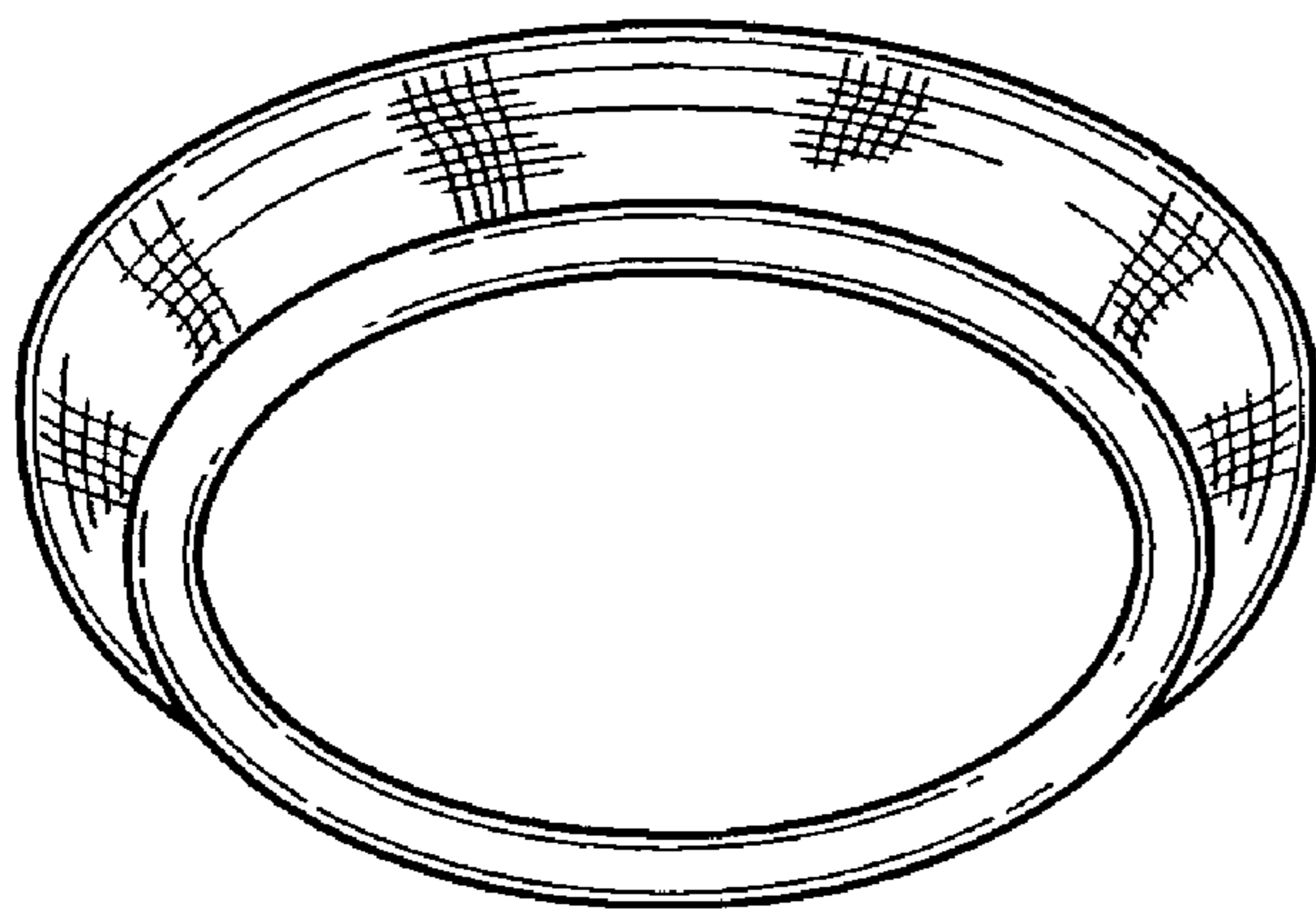


FIG. 6

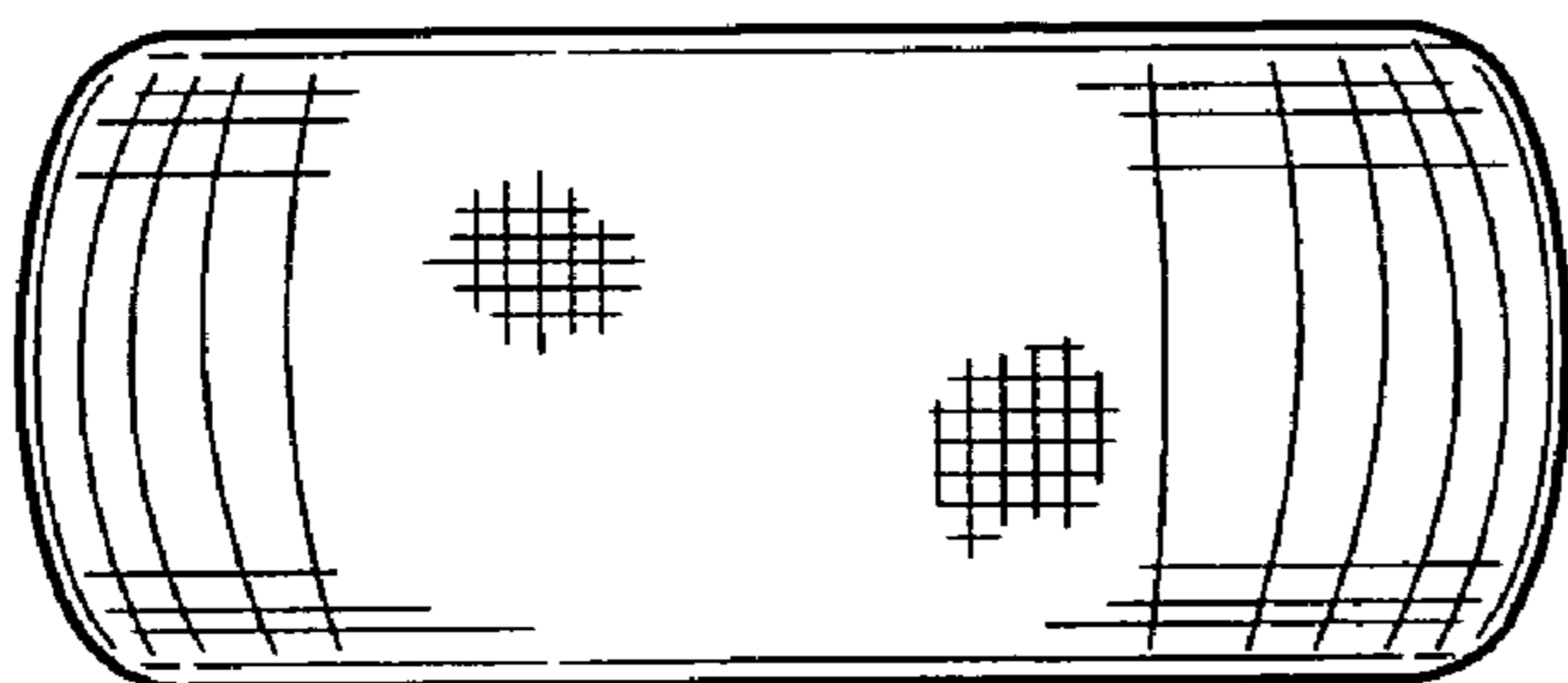


FIG. 4

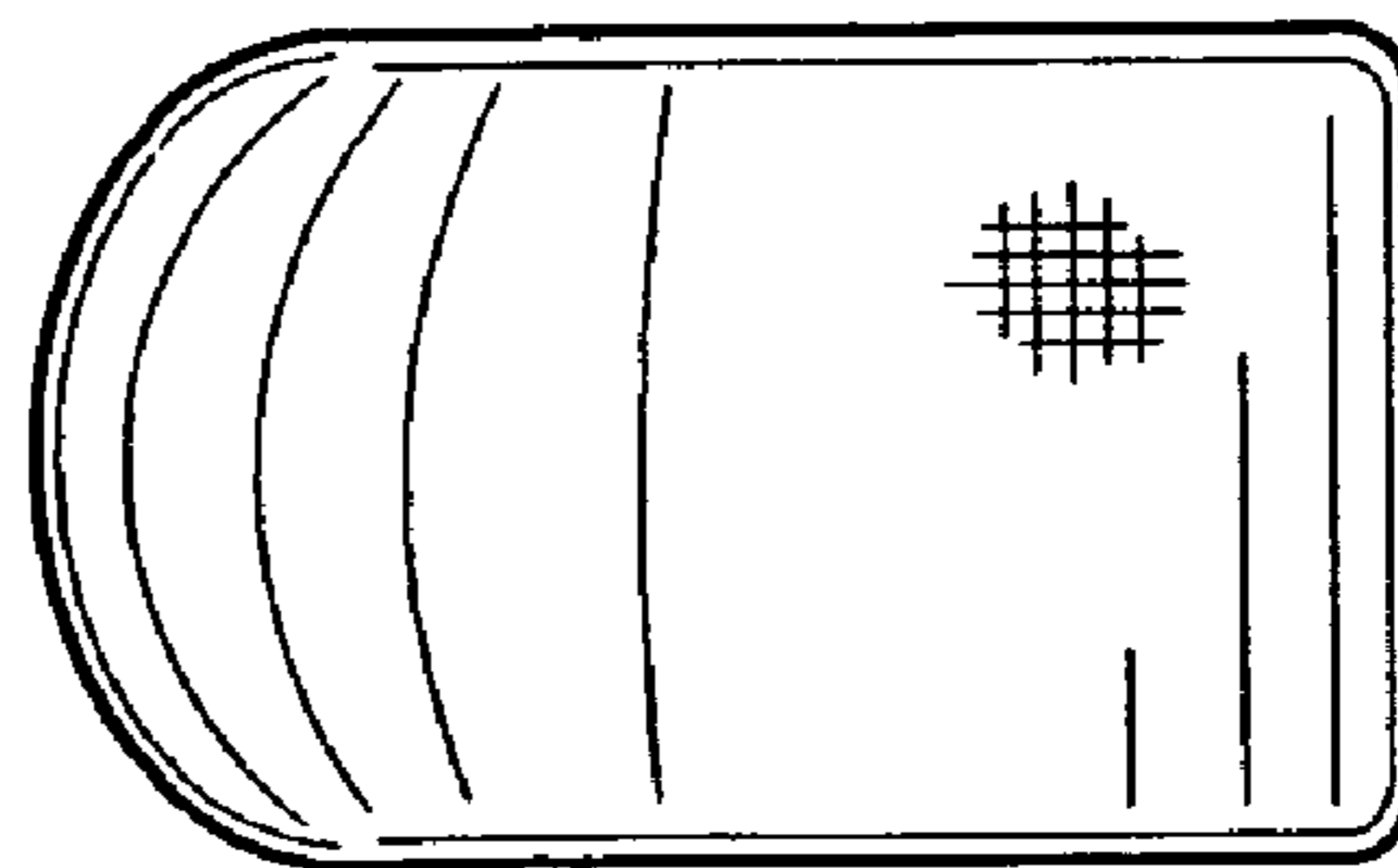


FIG. 5

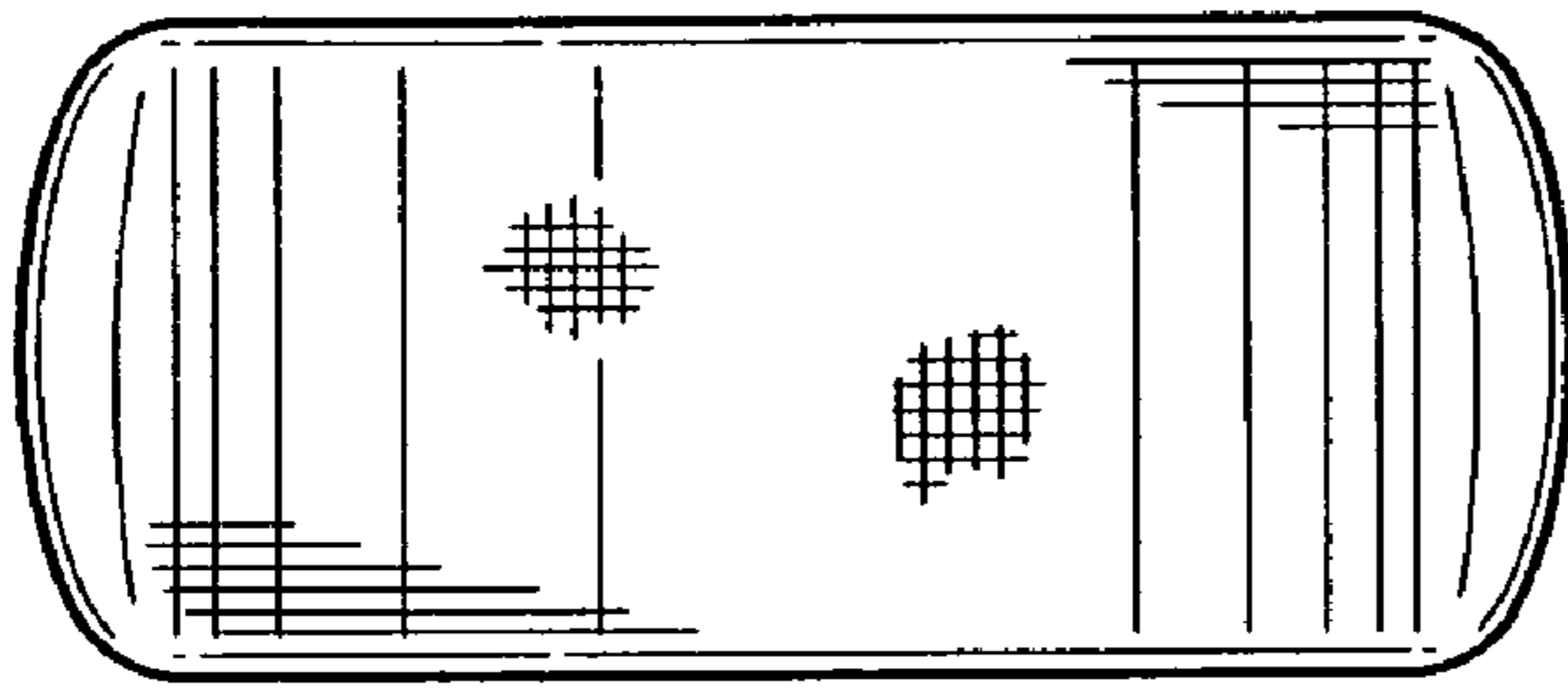


FIG. 7

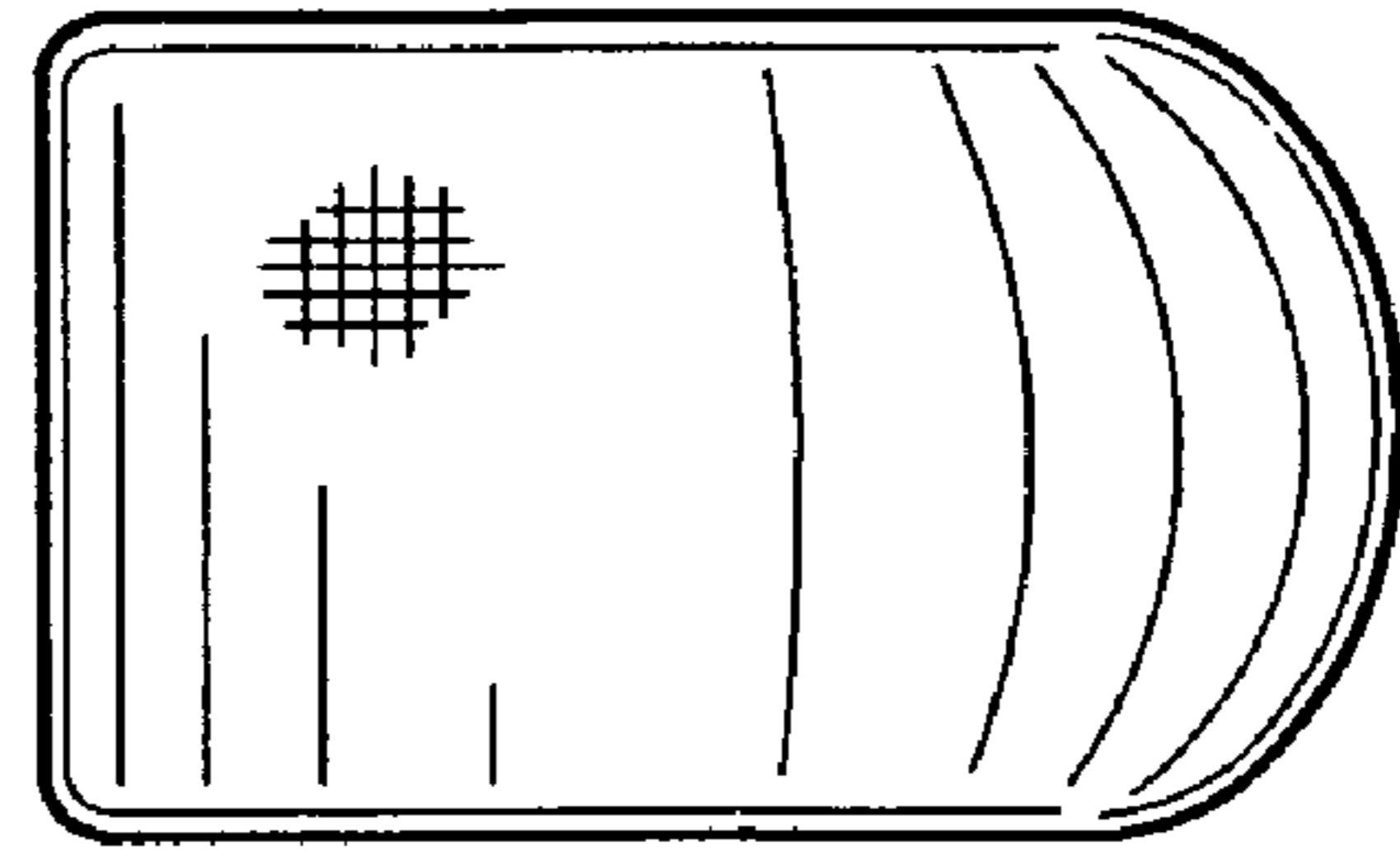


FIG. 8

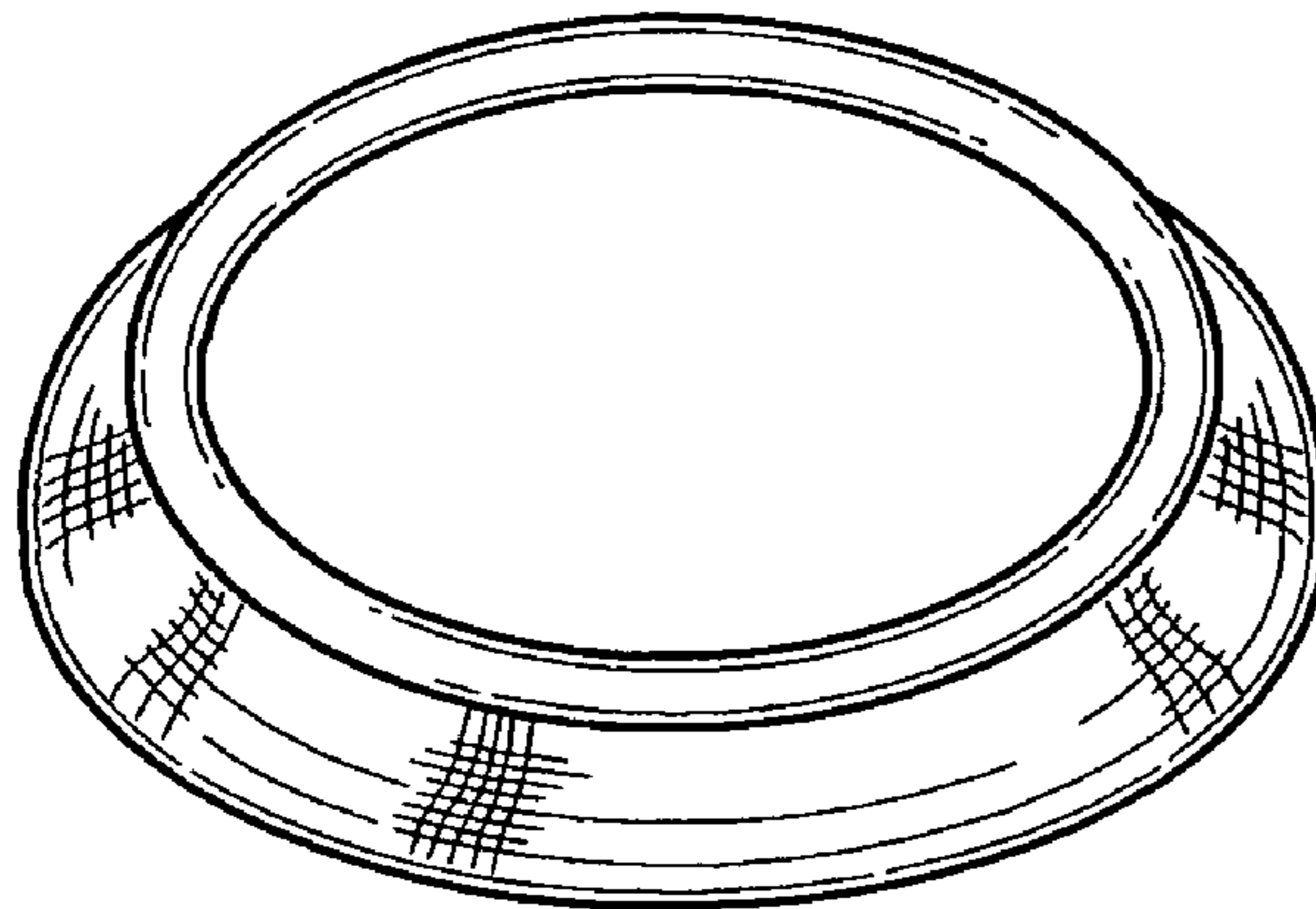


FIG. 9