

US00D594628S

(12) **United States Design Patent**
Chen

(10) **Patent No.:** **US D594,628 S**

(45) **Date of Patent:** **** Jun. 23, 2009**

(54) **ICE CREAM HOLDER**

(76) Inventor: **Wen-Te Chen**, No.342, Sec.1, Yuanti Rd., Dali City, Taichung County 412 (TW)

(**) Term: **14 Years**

(21) Appl. No.: **29/317,908**

(22) Filed: **May 9, 2008**

(51) **LOC (9) Cl.** **01-01**

(52) **U.S. Cl.** **D1/116**

(58) **Field of Classification Search** D1/101-105, D1/116, 122-124; 426/95, 101, 139, 143, 426/514, 132; D7/510, 584, 602, 672, 300.1; D21/386

See application file for complete search history.

(56) **References Cited**

U.S. PATENT DOCUMENTS

1,616,570	A *	2/1927	Boynton	426/90
D83,742	S *	3/1931	Niemeyer	D1/112
D95,039	S *	4/1935	Helfgott	D1/116
2,406,777	A *	9/1946	Koretzky	431/125
D340,343	S *	10/1993	Rizikow	D1/118

D395,936	S *	7/1998	Zada	D1/118
D442,764	S *	5/2001	Jimenez	D1/105
D452,761	S *	1/2002	Swift	D1/105

* cited by examiner

Primary Examiner—Cathron C Brooks

Assistant Examiner—Barbara Fox

(74) *Attorney, Agent, or Firm*—Ming Chow; Sinorica, LLC

(57) **CLAIM**

The ornamental design for an ice cream holder, as shown and as described.

DESCRIPTION

FIG. 1 is a perspective view of an ice cream holder showing my design;

FIG. 2 is a front view thereof;

FIG. 3 is a back view thereof;

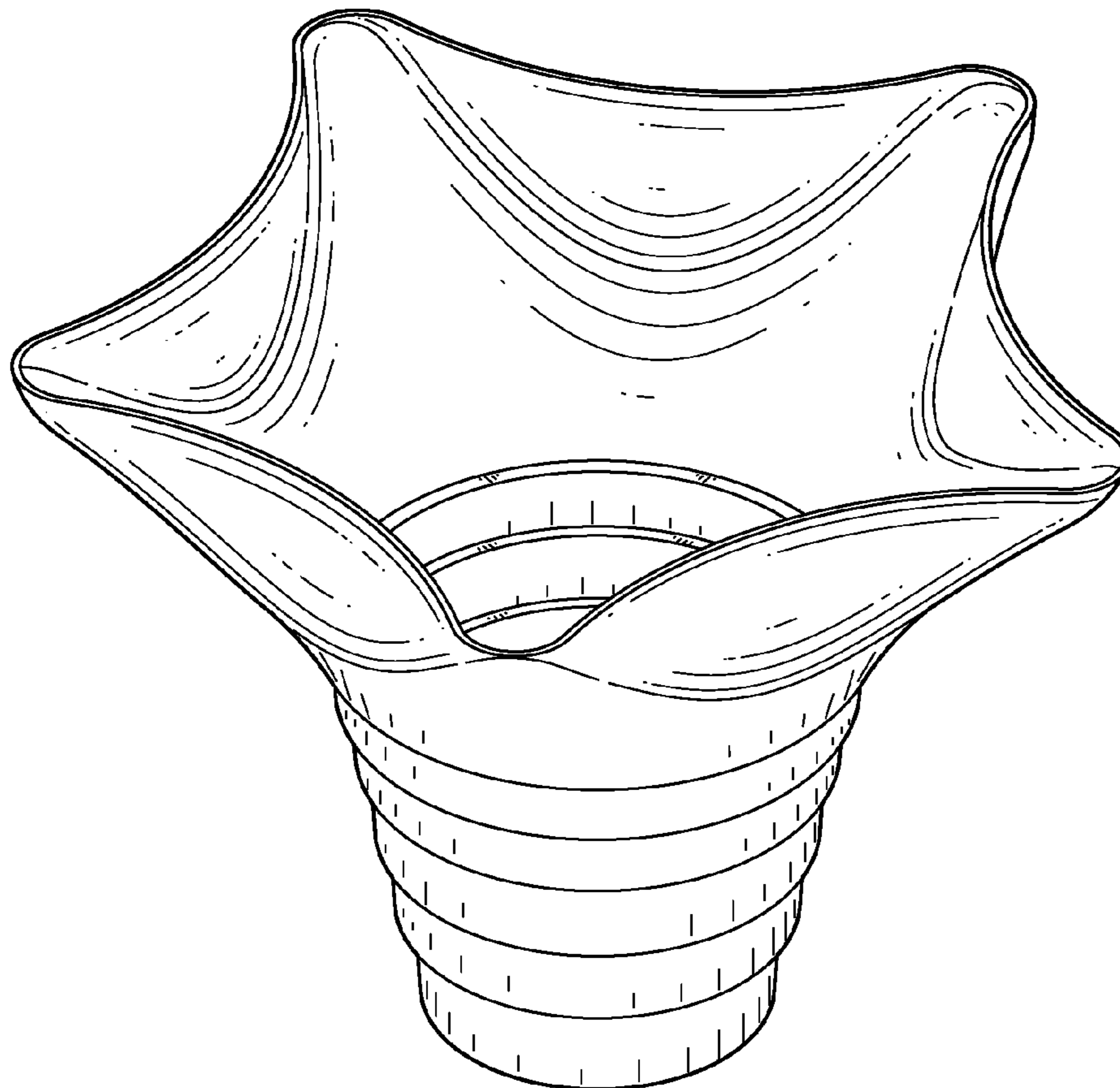
FIG. 4 is a left side view thereof;

FIG. 5 is a right side view thereof;

FIG. 6 is a top view thereof; and,

FIG. 7 is a bottom view thereof.

1 Claim, 7 Drawing Sheets



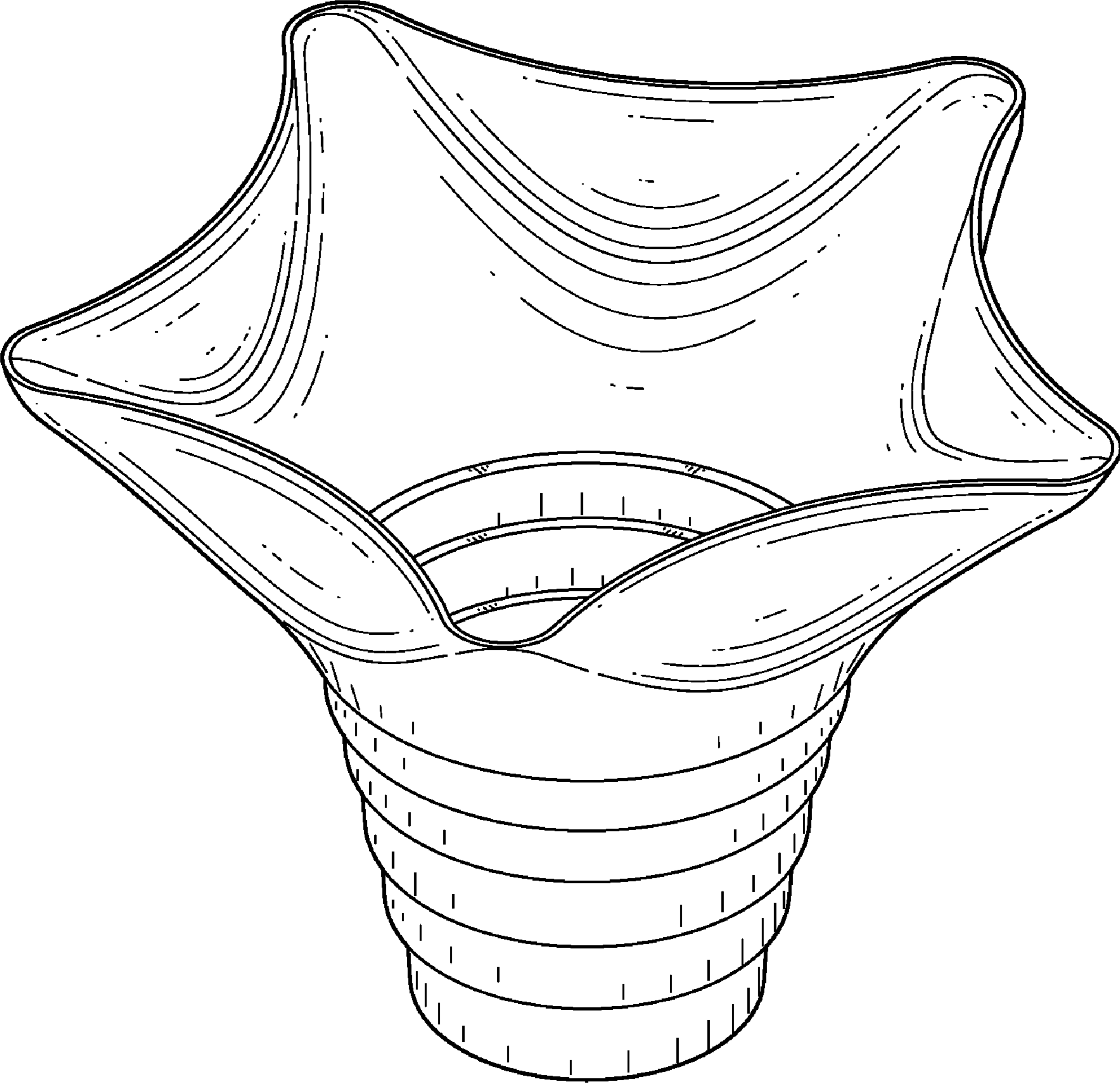


FIG. 1

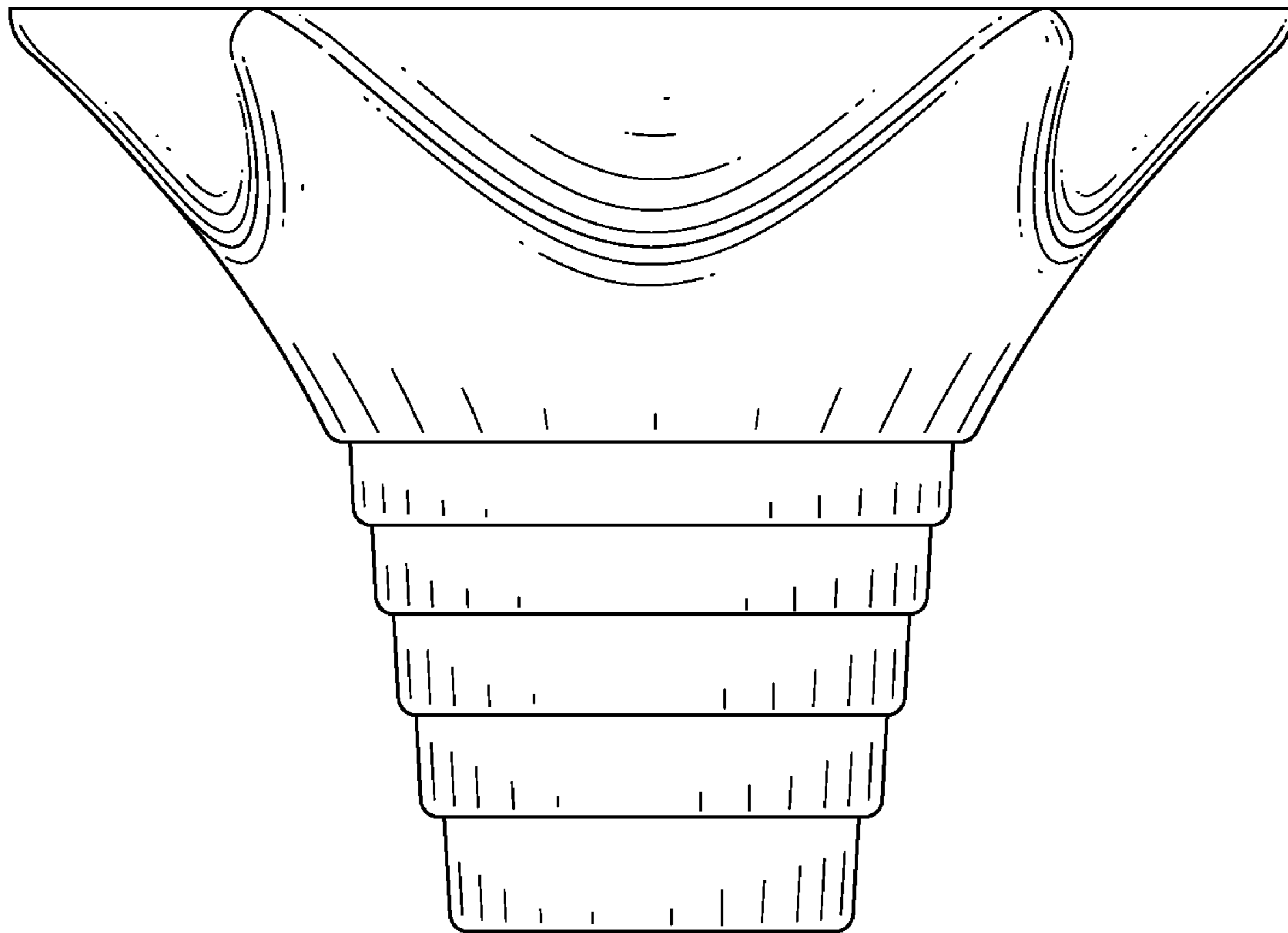


FIG. 2

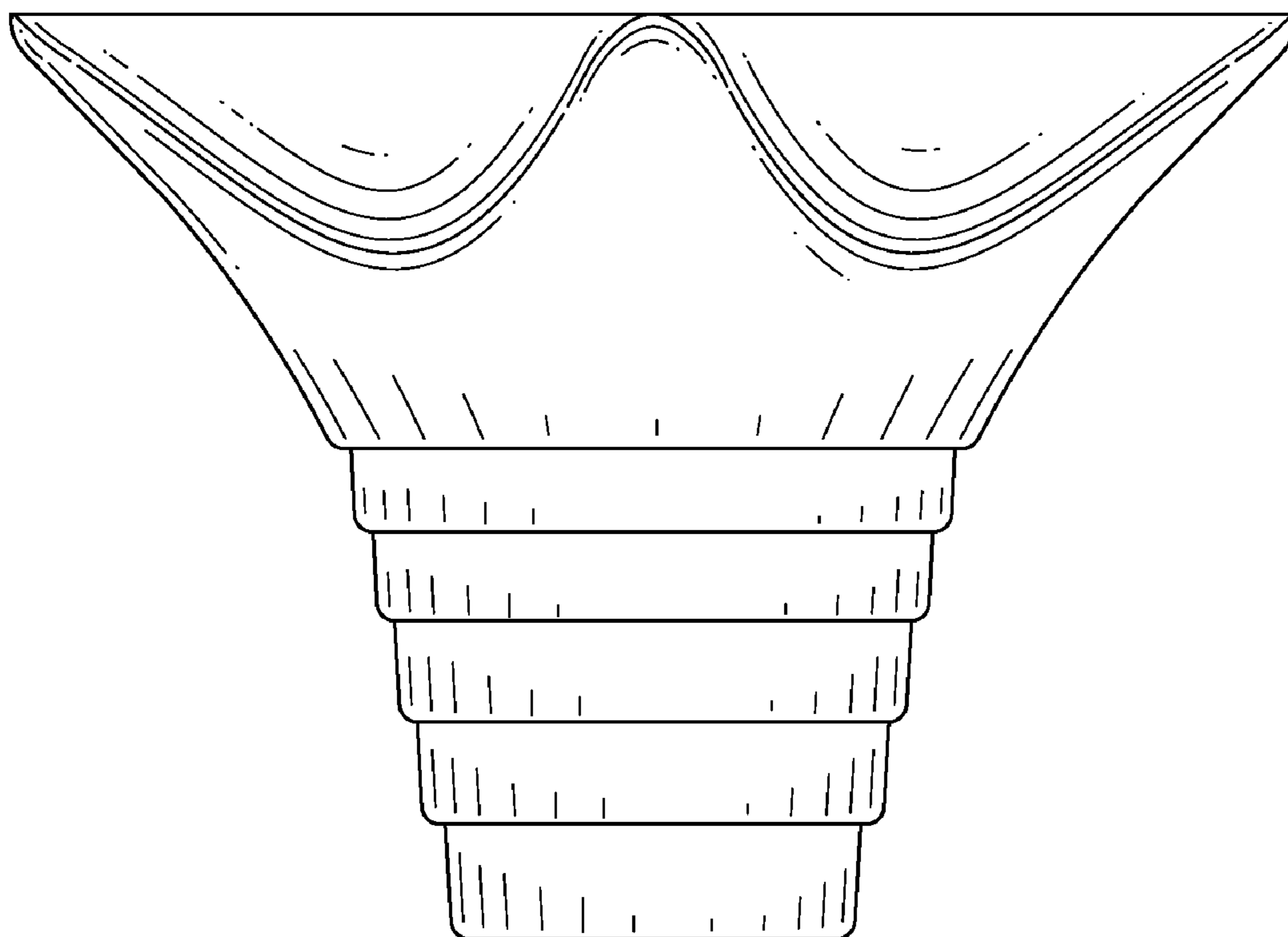


FIG. 3

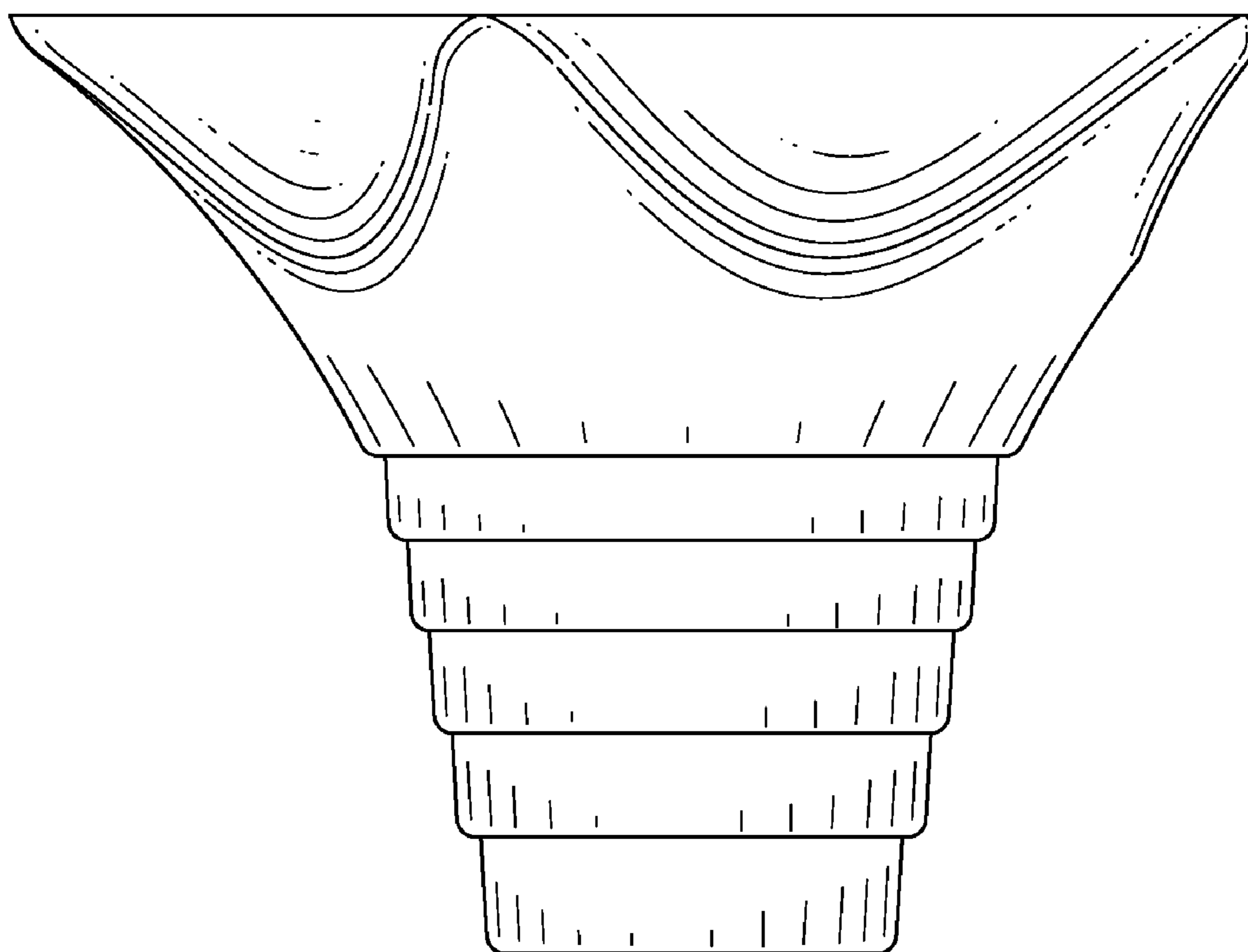


FIG. 4

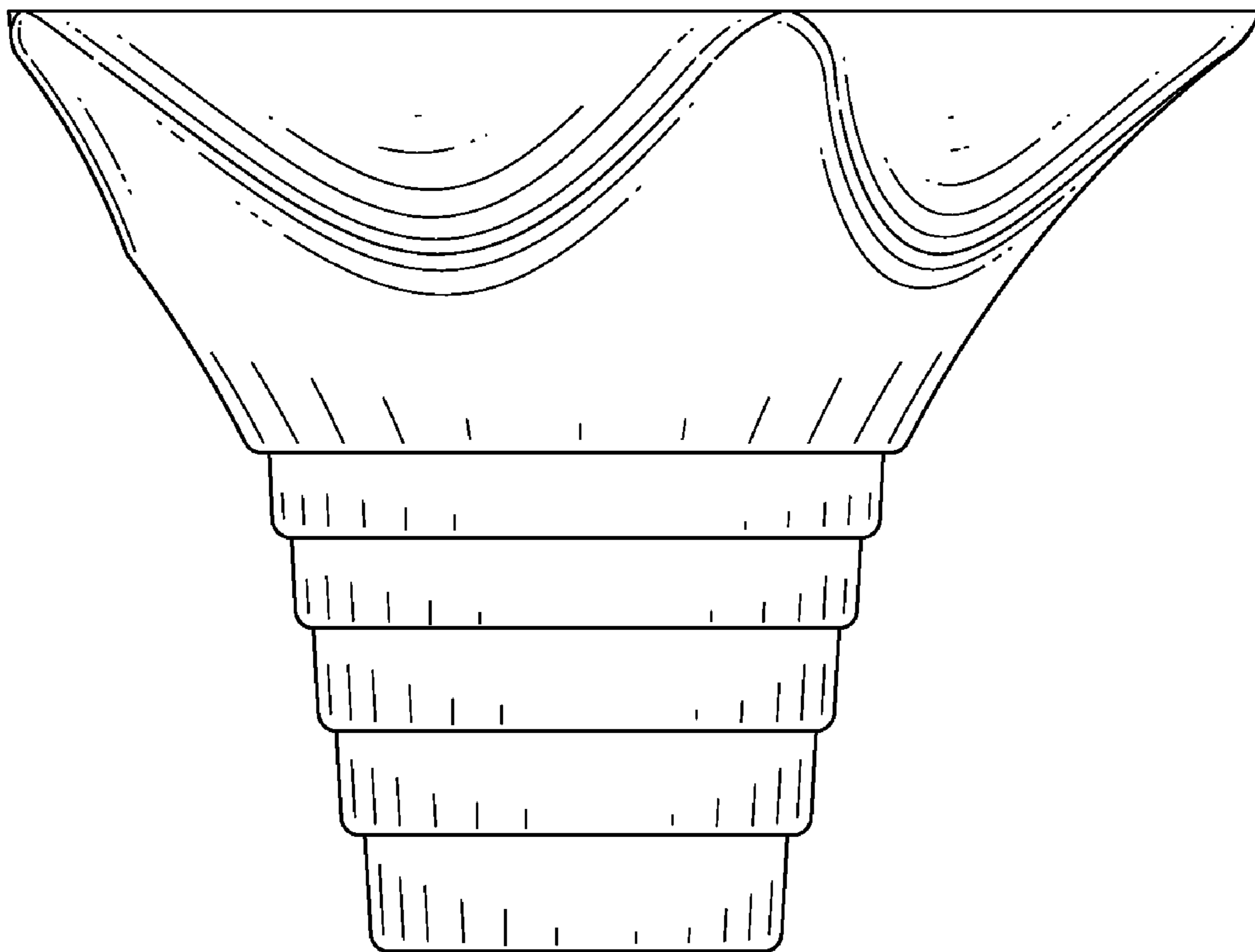


FIG. 5

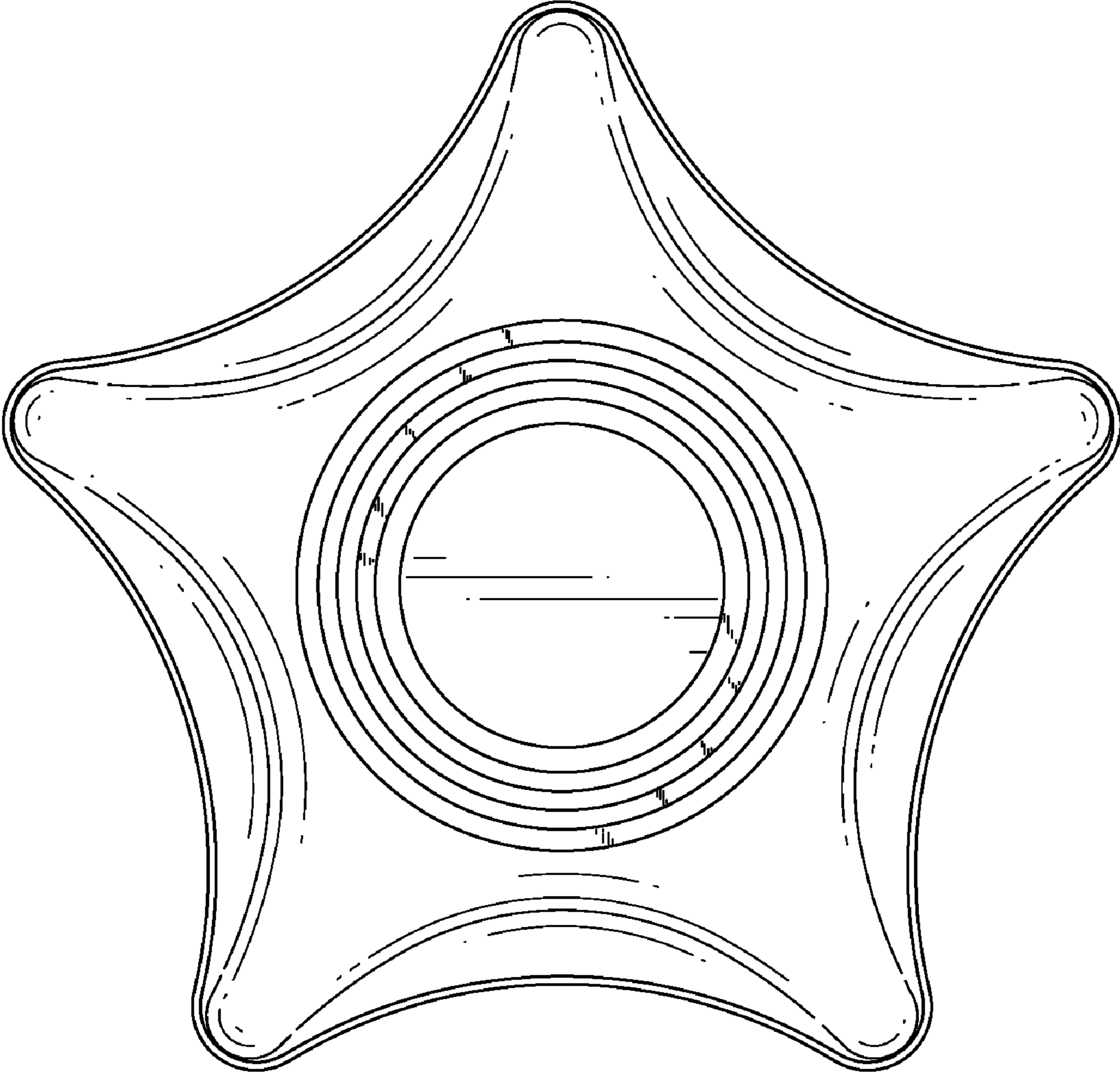


FIG. 6

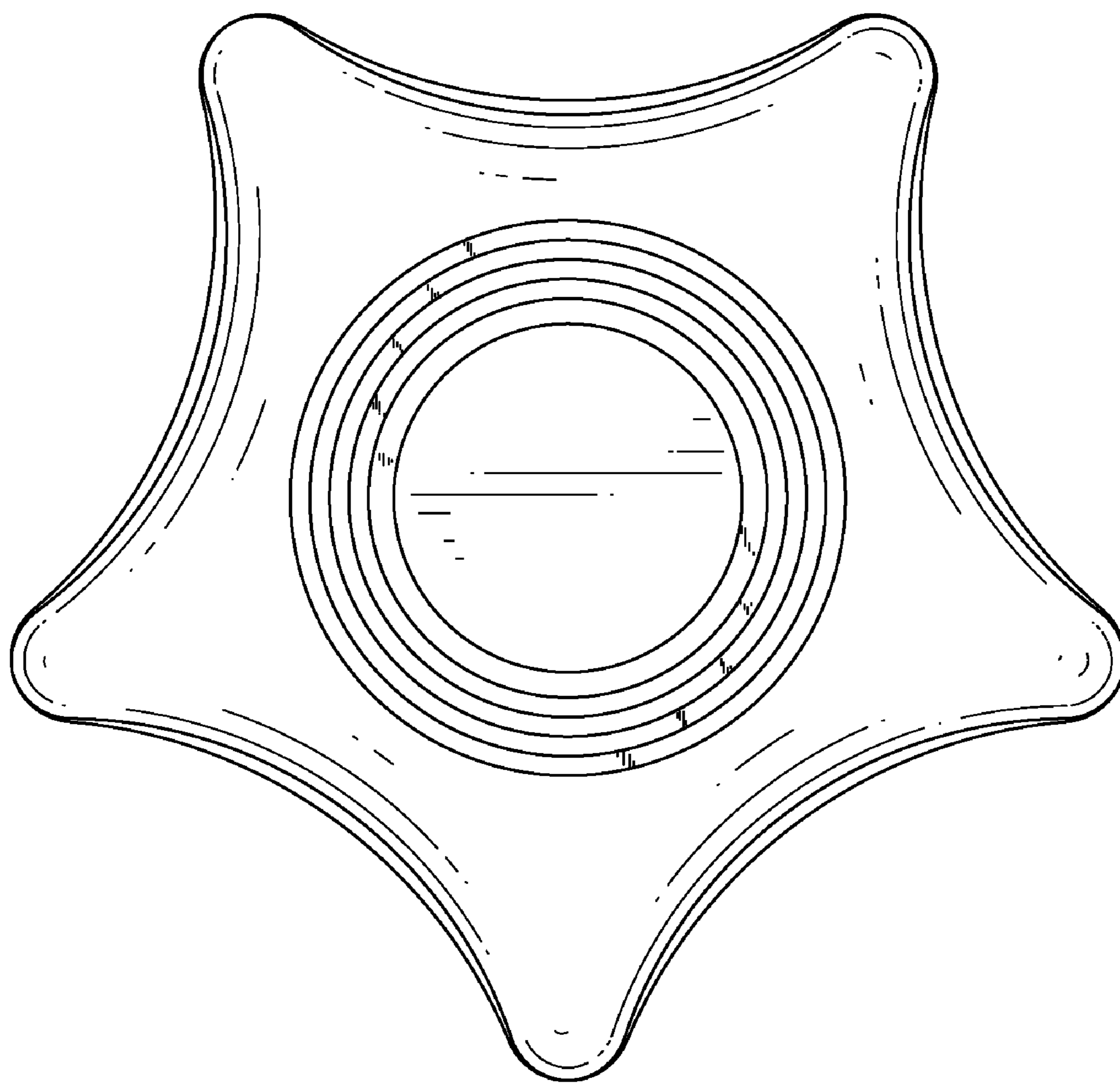


FIG. 7