



US00D594626S

(12) **United States Design Patent**
Reed

(10) **Patent No.:** **US D594,626 S**
(45) **Date of Patent:** **** Jun. 23, 2009**

(54) **POPSICLE DRIP GUARD**

(76) **Inventor:** **Helen Reed**, 2049 Hampton Hill Dr.,
Memphis, TN (US) 38134

(**) **Term:** **14 Years**

(21) **Appl. No.:** **29/304,763**

(22) **Filed:** **Mar. 7, 2008**

(51) **LOC (9) Cl.** **01-01**

(52) **U.S. Cl.** **D1/105**

(58) **Field of Classification Search** D1/101,
D1/102, 105, 122, 199; D7/510, 584, 602,
D7/672, 300.1; D21/386; 426/90, 91, 100,
426/101, 104, 132-134, 138, 139, 421, 515
See application file for complete search history.

(56) **References Cited**

U.S. PATENT DOCUMENTS

1,652,789	A *	12/1927	Moore	426/139
D93,019	S *	8/1934	Hose	D1/122
D101,549	S *	10/1936	Morton	D1/113
2,632,708	A *	3/1953	Sueskind	426/134
D185,302	S *	5/1959	Mitzenmacher	D1/105
D211,043	S *	5/1968	Kay	D7/586
D353,251	S *	12/1994	Beck	D1/105

D363,576	S *	10/1995	Brightbill et al.	D32/55
D395,937	S *	7/1998	Zada	D1/122
D402,085	S *	12/1998	Gornet	D1/106

* cited by examiner

Primary Examiner—Cathron C Brooks
Assistant Examiner—Barbara Fox

(57) **CLAIM**

I claim, the ornamental design for the popsicle drip guard, as shown and described.

DESCRIPTION

FIG. 1 is a front elevational view of the popsicle drip guard showing my new design;

FIG. 2 is a left-side elevational view of the popsicle drip guard thereof;

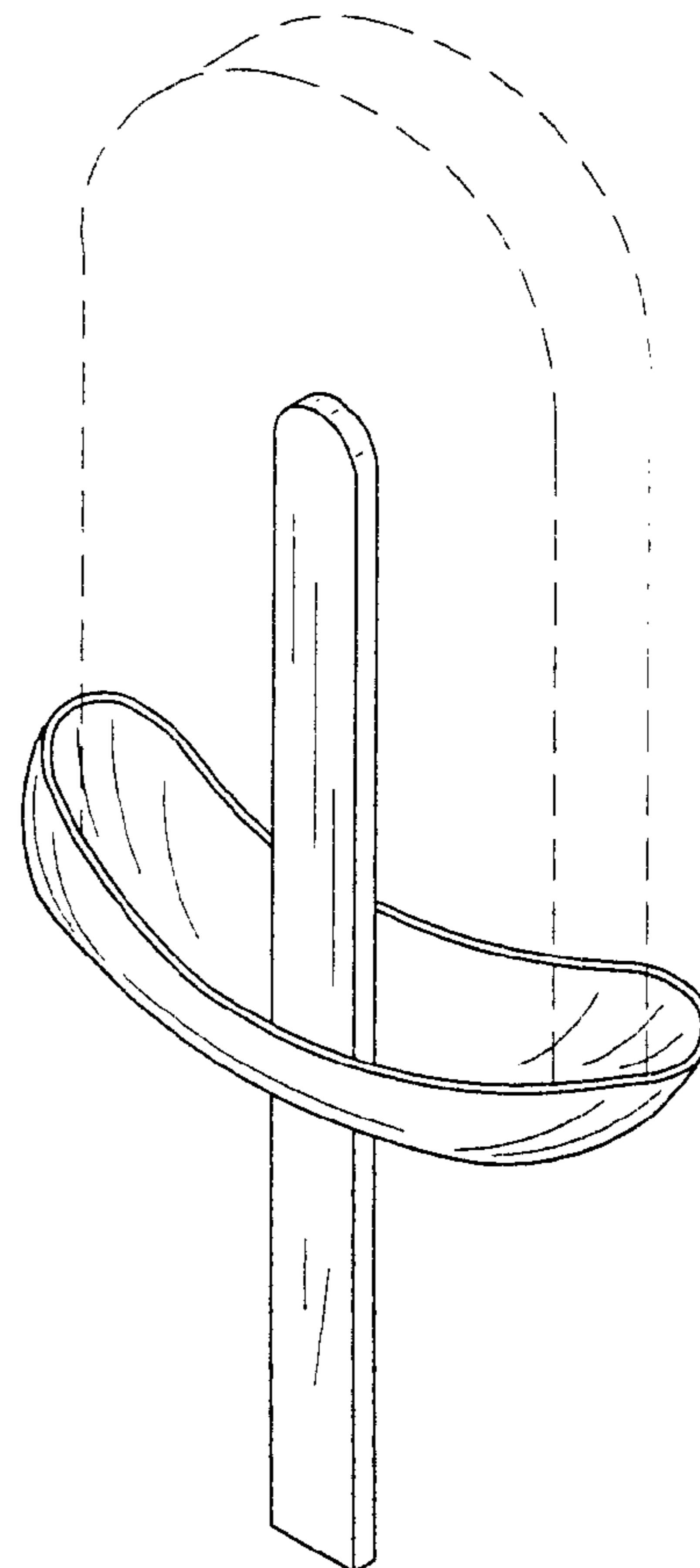
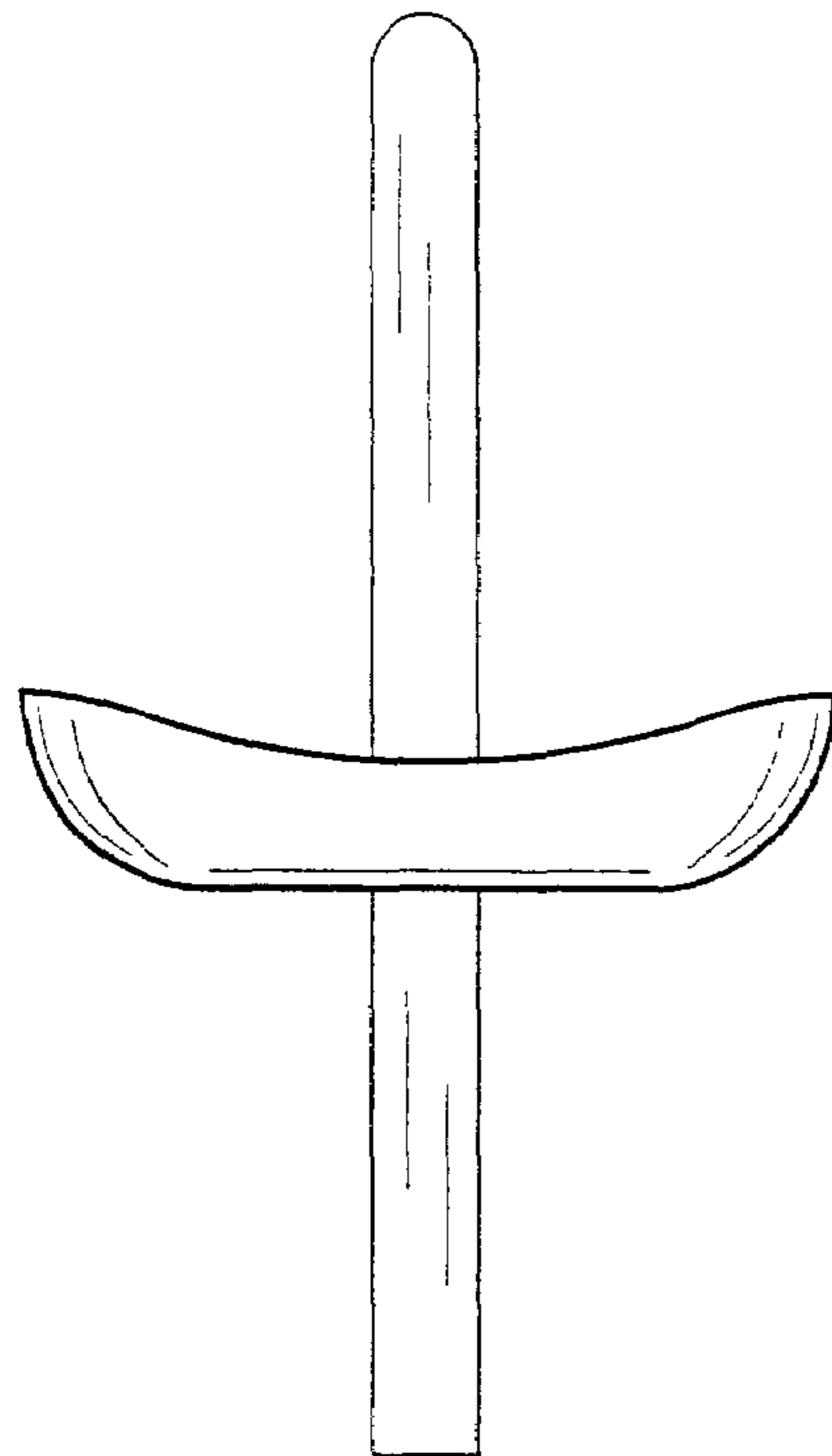
FIG. 3 is a top plan view of the popsicle drip guard thereof;

FIG. 4 is a bottom plan view of the popsicle drip guard thereof; and,

FIG. 5 is a perspective view of the popsicle drip guard thereof.

The broken lines shown in the drawings illustrate environmental structure, and form no part of the claimed design.

1 Claim, 2 Drawing Sheets



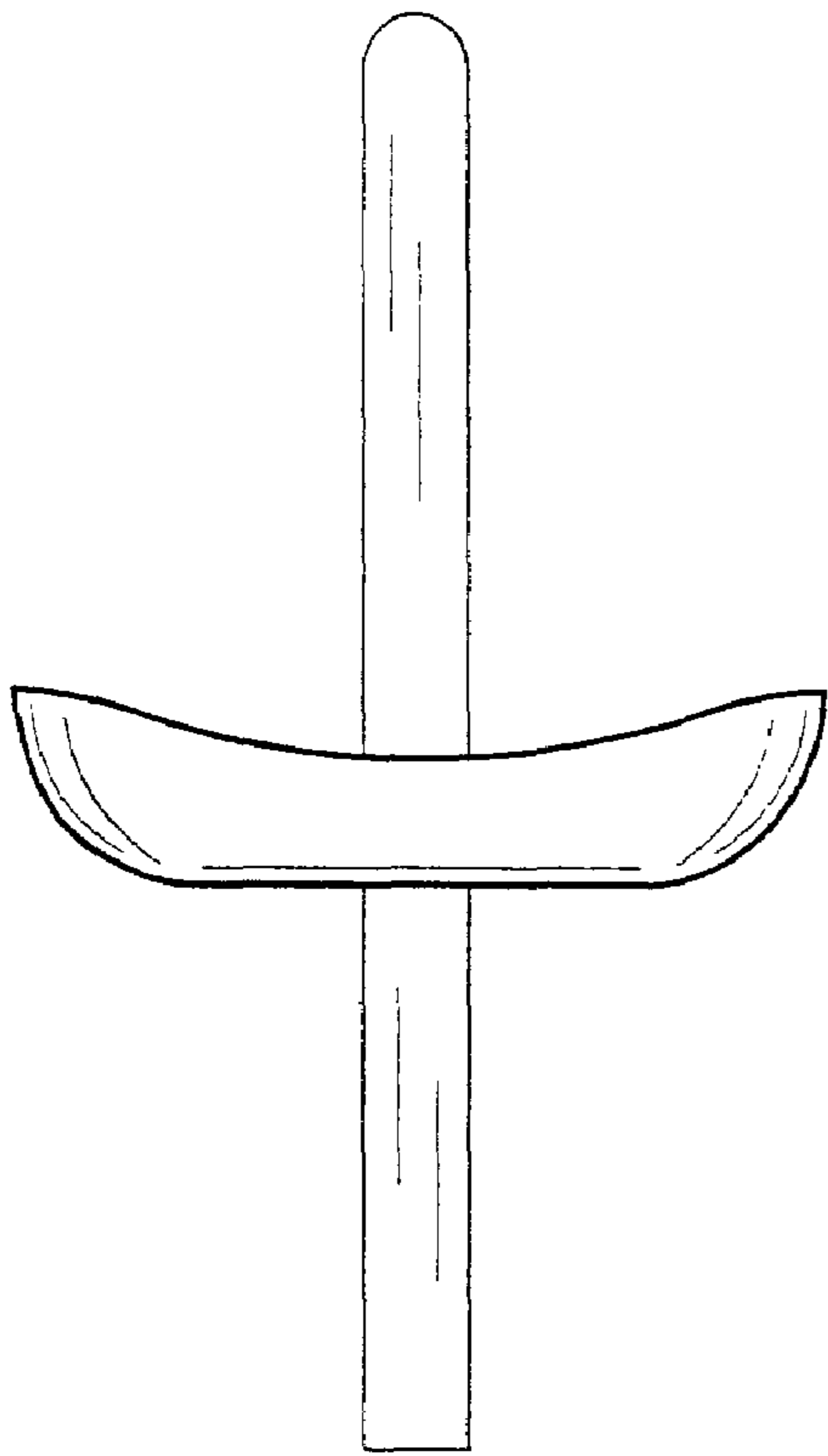


FIG. 1

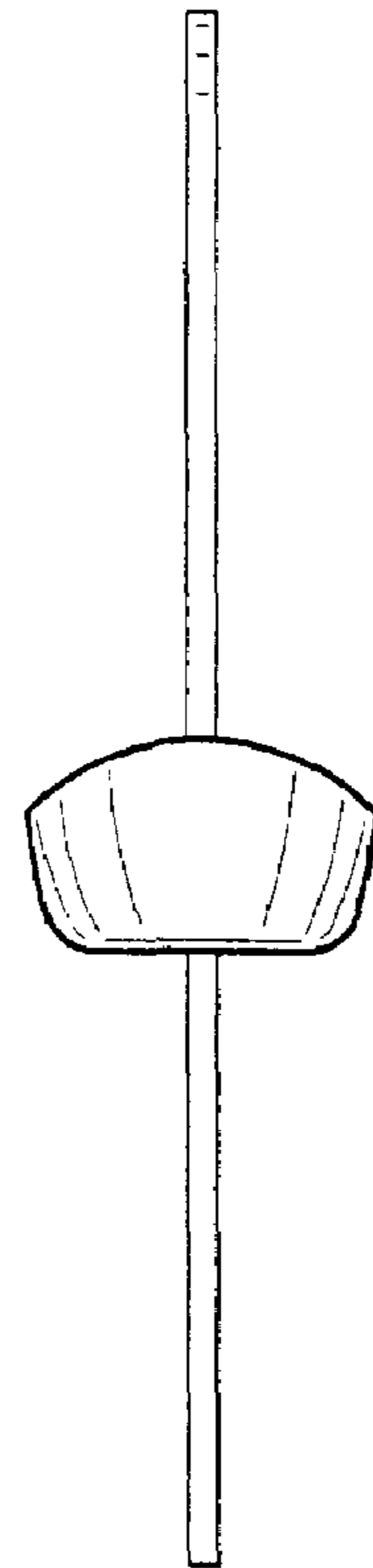


FIG. 2

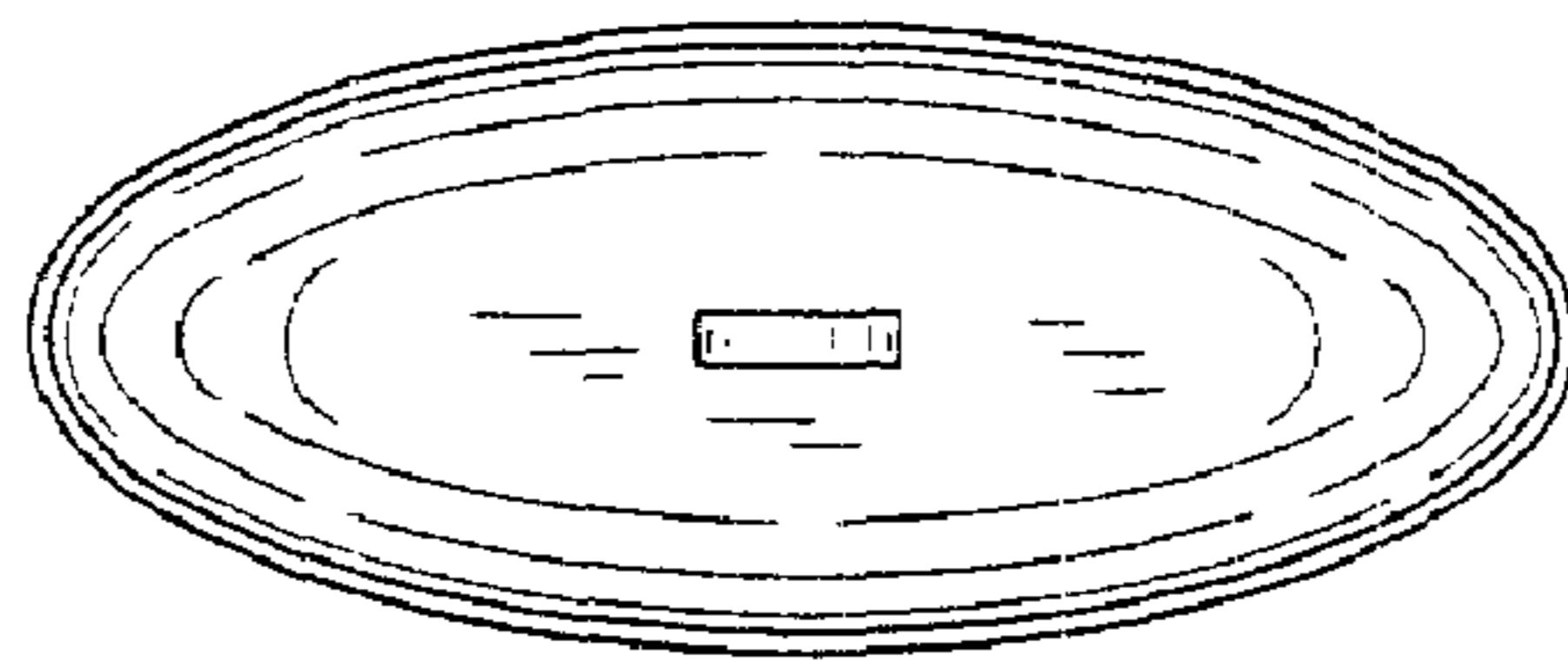


FIG. 3

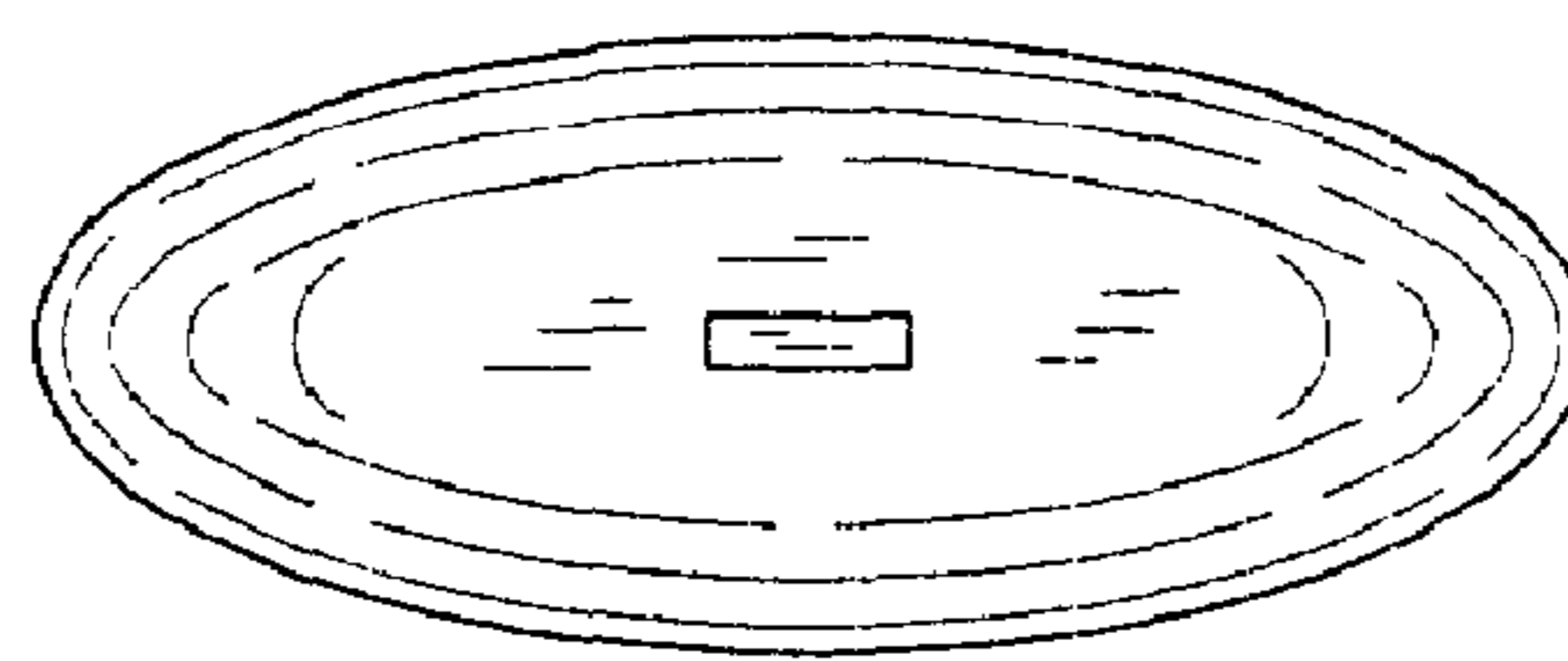


FIG. 4

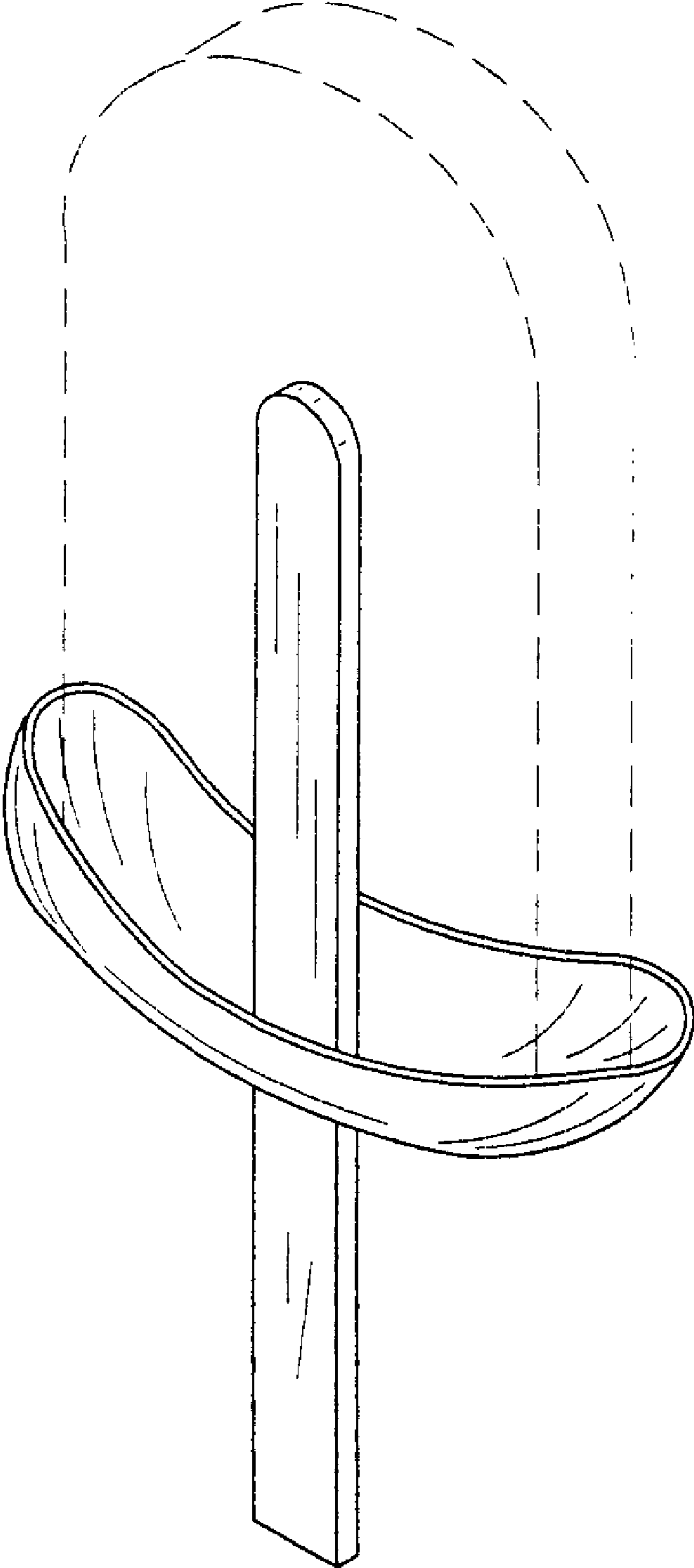


FIG. 5