

US00D594623S

(12) **United States Design Patent**
Felton

(10) **Patent No.:** **US D594,623 S**
(45) **Date of Patent:** **** Jun. 16, 2009**

(54) **CONVEYOR BELT SCRAPER BLADE**

(76) Inventor: **Jarrod J. Felton**, 125 W. 5th St., Cyrus,
MN (US) 56323

(**) Term: **14 Years**

(21) Appl. No.: **29/301,044**

(22) Filed: **Feb. 7, 2008**

(51) **LOC (9) Cl.** **12-05**

(52) **U.S. Cl.** **D34/35**

(58) **Field of Classification Search** D34/29,
D34/35; 198/497, 499; 15/256.5, 245, 245.1,
15/250.001, 250.48; D32/40, 44, 41; D12/219
See application file for complete search history.

(56) **References Cited**

U.S. PATENT DOCUMENTS

4,202,437	A *	5/1980	Gordon	198/497
4,779,119	A *	10/1988	Kaieda	399/102
5,197,587	A	3/1993	Malmberg		
5,222,589	A	6/1993	Gordon		
5,241,350	A *	8/1993	Bigelow	399/351
D347,918	S *	6/1994	Gibbs	D34/29
6,056,112	A	5/2000	Wiggins		
6,182,816	B1	2/2001	Gibbs et al.		
6,315,105	B1	11/2001	Gibbs et al.		
6,354,428	B1	3/2002	Gibbs et al.		
6,439,373	B1	8/2002	Swindermann		
6,457,575	B2 *	10/2002	Swinderman	198/499
D482,508	S *	11/2003	DeVries	D34/35
7,007,794	B2	3/2006	Waters et al.		

D524,009	S *	6/2006	Smith et al.	D34/35
2003/0066737	A1 *	4/2003	Malmberg	198/497
2003/0230466	A1 *	12/2003	Swinderman et al.	198/497
2006/0131135	A1	6/2006	Waters et al.		
2007/0089968	A1 *	4/2007	Swinderman	198/497

OTHER PUBLICATIONS

Brochure from Conveyor Care Company, Argonics, Inc—Polyurethane Products. Nov. 13, 2007, <http://www.conveyorcare.com/argonics.html> (7 pages).

* cited by examiner

Primary Examiner—Cynthia E Ramirez

(74) *Attorney, Agent, or Firm*—Dicke, Billig & Czaja, PLLC

(57) **CLAIM**

The ornamental design for a conveyor belt scraper blade, as shown and described.

DESCRIPTION

FIG. 1 is a perspective view of the conveyor belt scraper blade of the present invention;

FIG. 2 is a top plan view thereof;

FIG. 3 is a bottom plan view thereof;

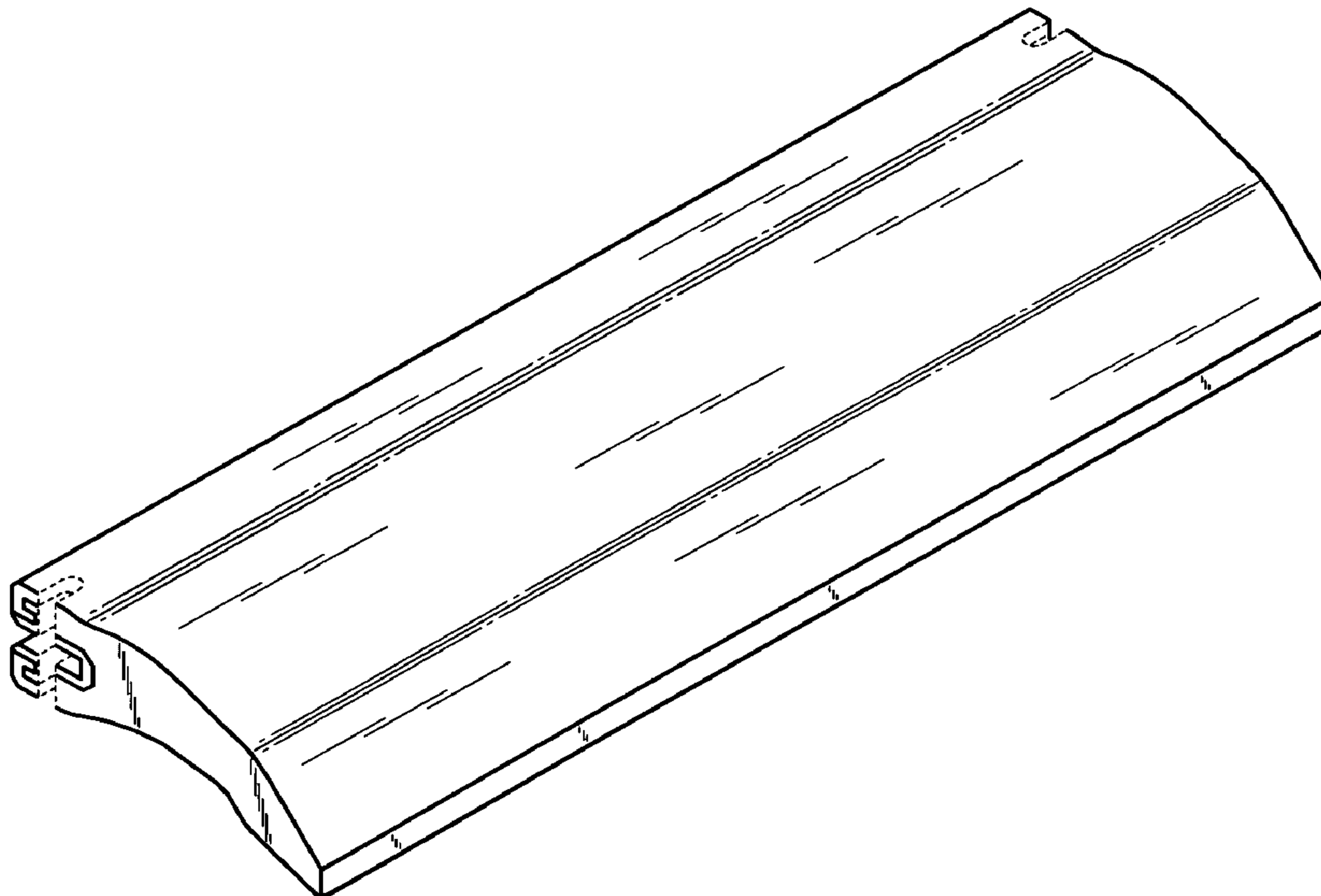
FIG. 4 is a first end elevation view thereof, the opposite end being a mirror image;

FIG. 5 is a front elevation view thereof; and,

FIG. 6 is a rear elevation view thereof.

Those portions of the conveyor belt scraper blade shown in broken lines form no part of the claimed design.

1 Claim, 3 Drawing Sheets



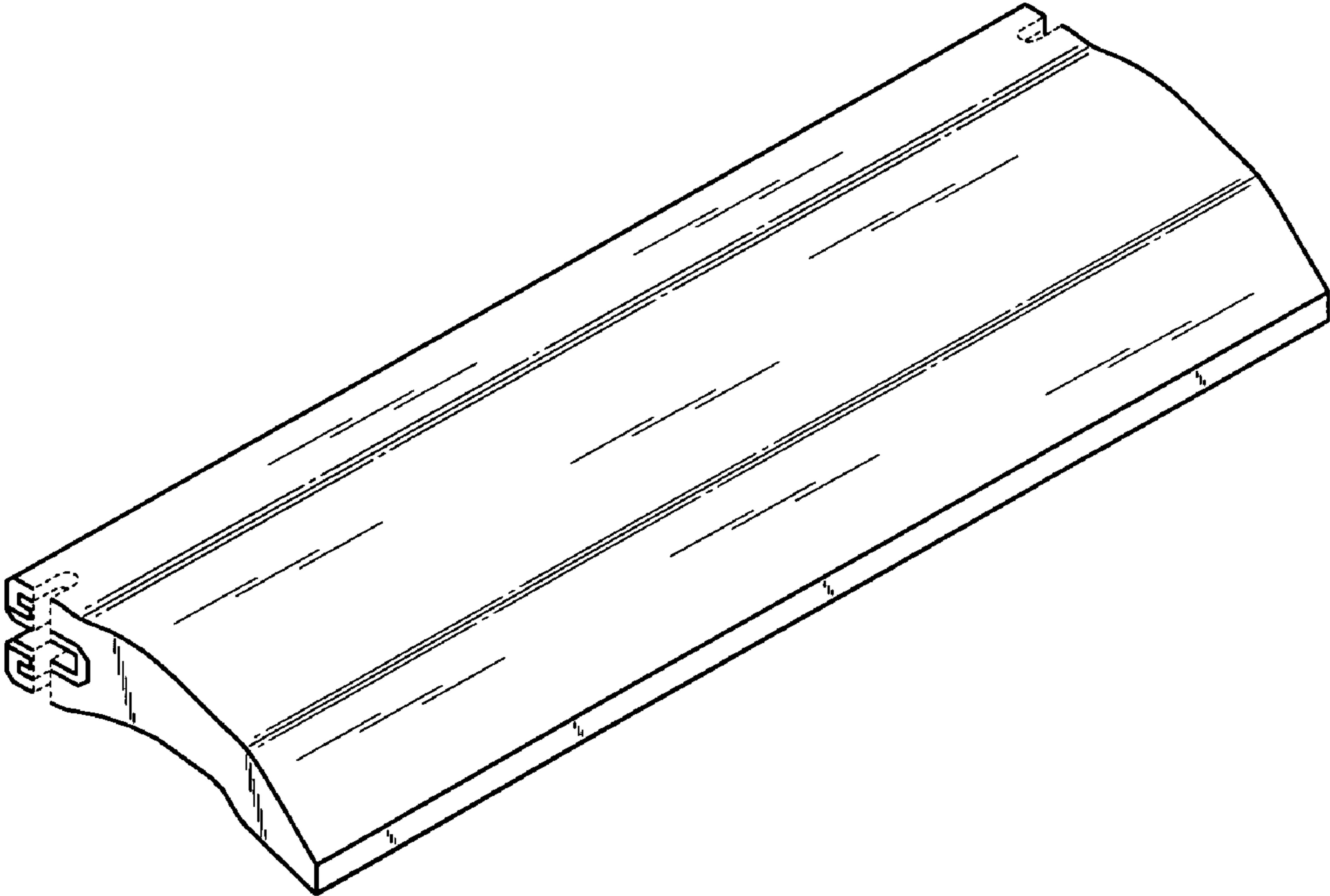


Fig. 1

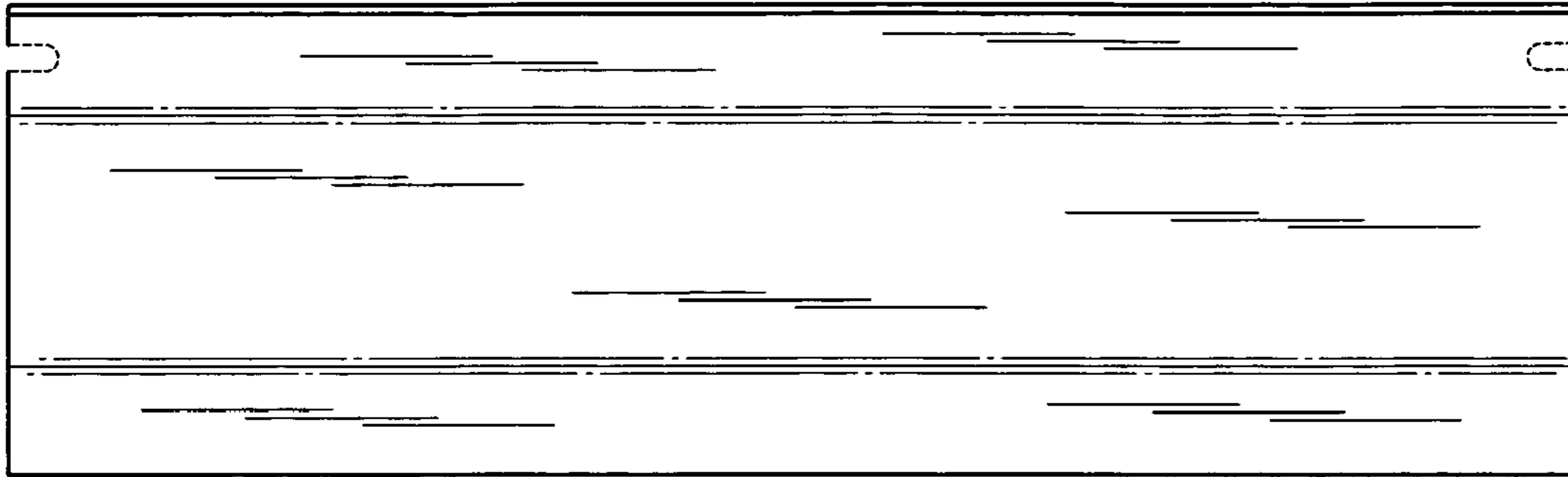


Fig. 2

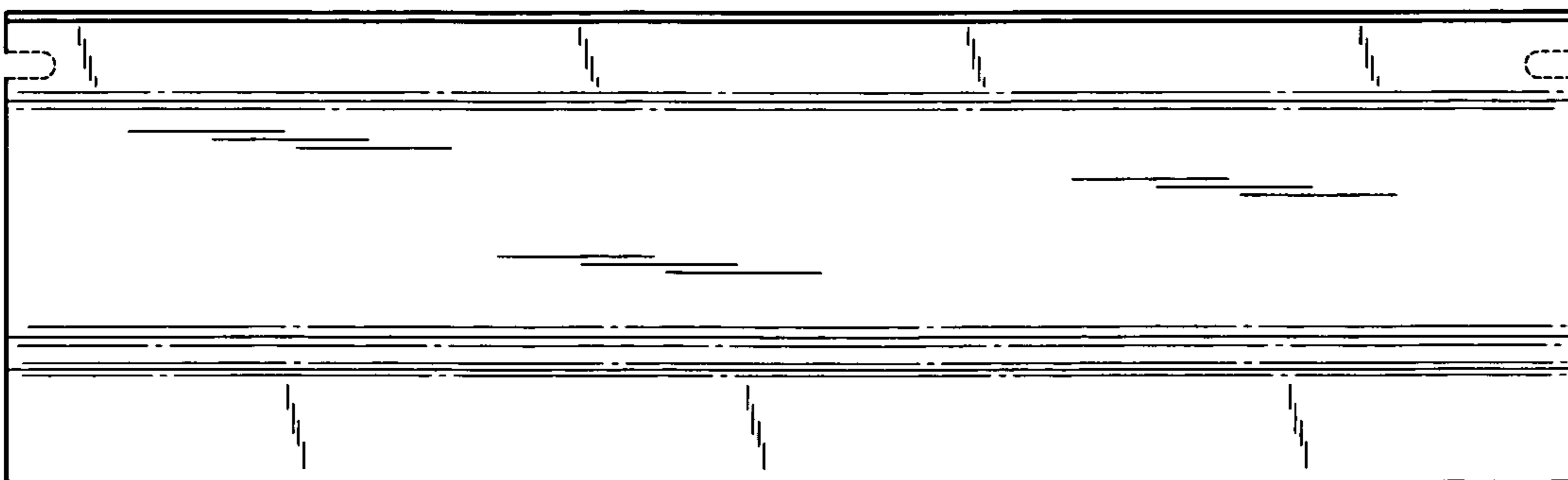


Fig. 3

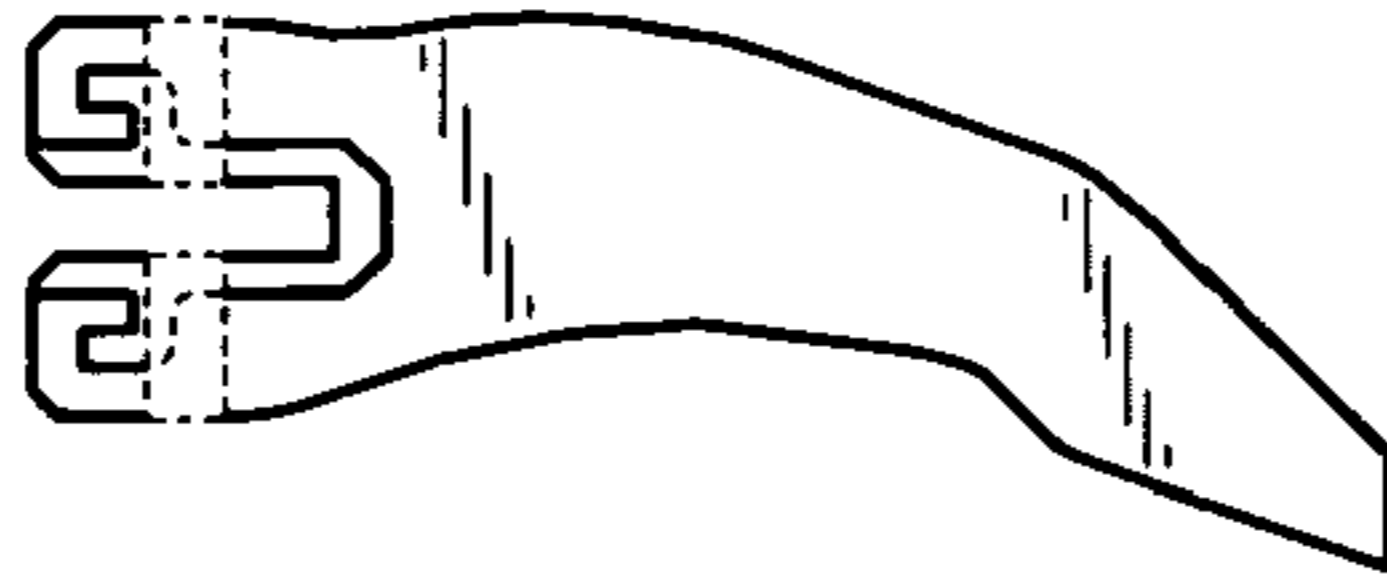


Fig. 4

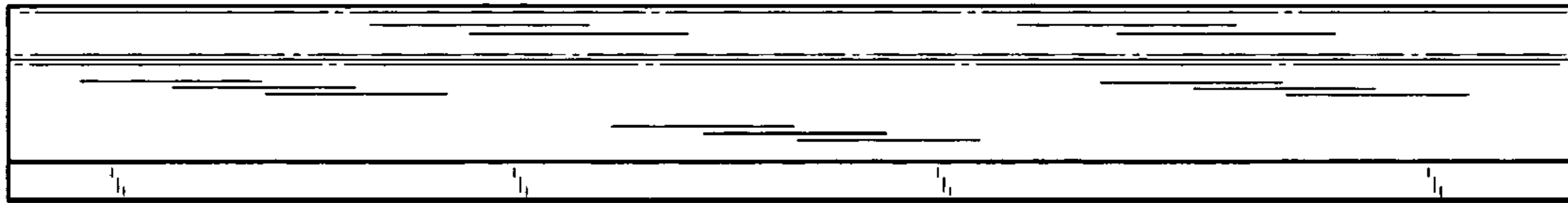


Fig. 5

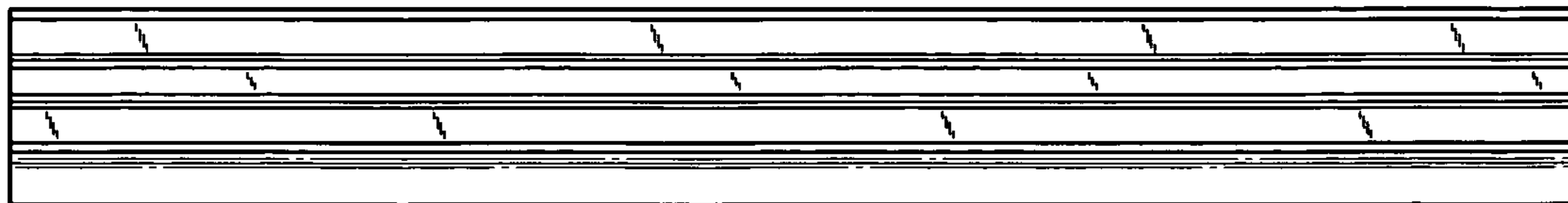


Fig. 6