



US00D594622S

(12) **United States Design Patent**  
**Kissun**

(10) **Patent No.:** **US D594,622 S**

(45) **Date of Patent:** **\*\* Jun. 16, 2009**

(54) **DOLLY**

(76) **Inventor:** **Devanand Kissun**, 46 Oak St., Bayonne, NJ (US) 07002

(\*\*) **Term:** **14 Years**

(21) **Appl. No.:** **29/322,627**

(22) **Filed:** **Aug. 7, 2008**

(51) **LOC (9) Cl.** ..... **12-02**

(52) **U.S. Cl.** ..... **D34/23**

(58) **Field of Classification Search** ..... D34/12-27;  
280/79.11, 35, 42, 656, 11, 26; 108/69, 83,  
108/88, 89; 403/331, 340

See application file for complete search history.

(56) **References Cited**

**U.S. PATENT DOCUMENTS**

3,024,036	A *	3/1962	Reynolds	.....	280/79.11
4,166,638	A	9/1979	De Prado		
4,277,075	A	7/1981	Shay		
D263,820	S *	4/1982	Levenberg	.....	D34/23
4,557,201	A *	12/1985	Webb, Jr.	.....	109/45
D296,225	S *	6/1988	Armstrong	.....	D21/674
4,822,066	A *	4/1989	Rehrig	.....	280/79.11
D302,891	S *	8/1989	Lardell	.....	D34/23
4,856,810	A *	8/1989	Smith	.....	280/639
5,141,241	A *	8/1992	Avila	.....	280/47.371

5,180,178	A *	1/1993	Caceres	.....	280/47.34
D333,200	S	2/1993	Berrian		
D333,899	S *	3/1993	Caceres	.....	D34/17
5,299,826	A	4/1994	Flowers		
D349,384	S *	8/1994	Crinion	.....	D34/23
5,480,180	A	1/1996	Fuller et al.		
5,772,222	A *	6/1998	Sim et al.	.....	280/30
D399,648	S *	10/1998	Hilton	.....	D3/201
6,371,497	B1	4/2002	Scire		
6,386,560	B2	5/2002	Calender		
6,783,147	B1	8/2004	Green, Sr.		
2007/0296167	A1 *	12/2007	Beswick et al.	.....	280/47.34

\* cited by examiner

*Primary Examiner*—Cynthia E Ramirez

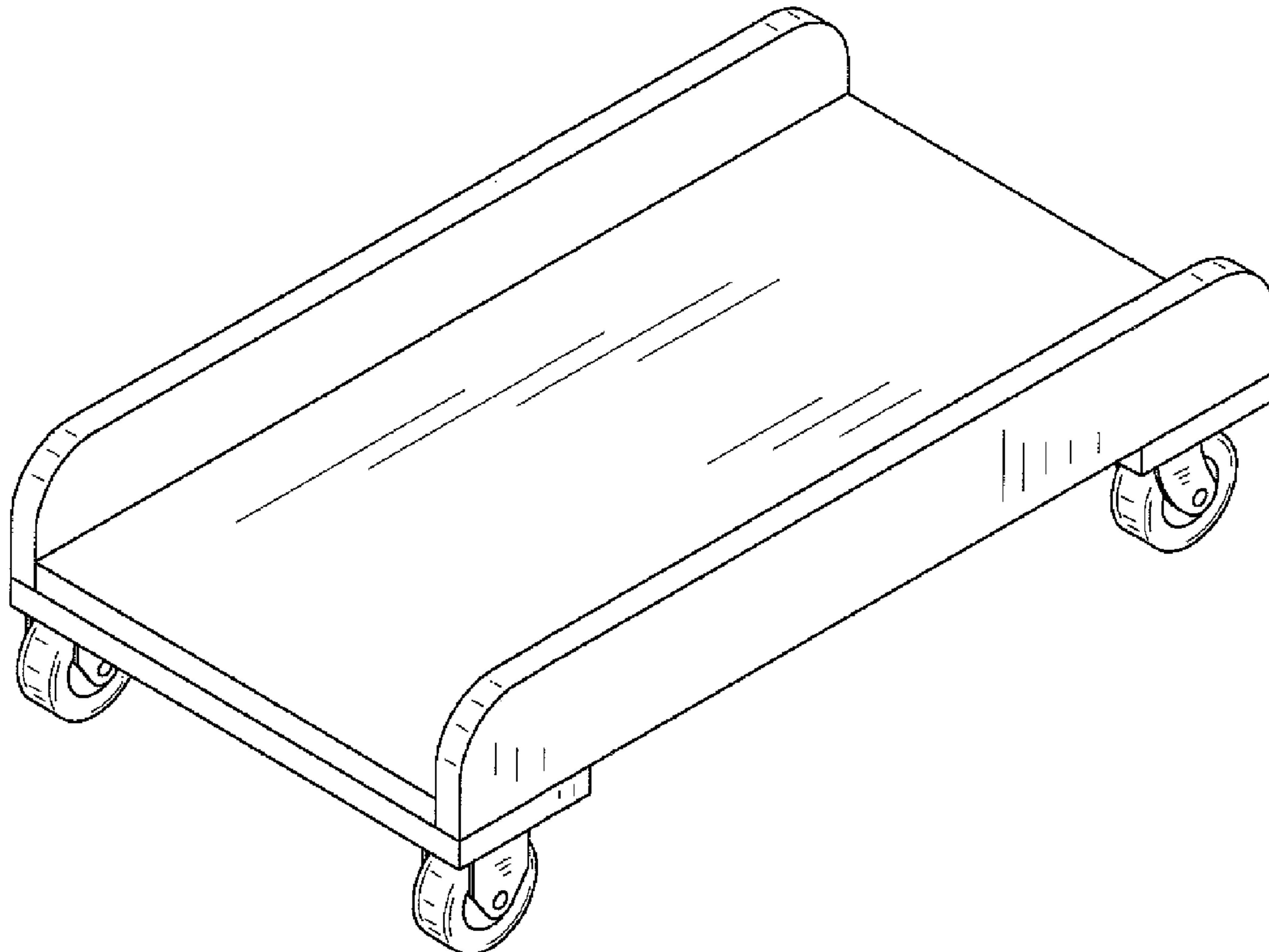
(57) **CLAIM**

The ornamental design for a dolly, as shown.

**DESCRIPTION**

FIG. 1 is a perspective view of a dolly of the present design;  
FIG. 2 is a side view thereof;  
FIG. 3 is a front view thereof;  
FIG. 4 is a back view thereof;  
FIG. 5 is a top view thereof; and,  
FIG. 6 is a bottom view thereof.

**1 Claim, 3 Drawing Sheets**



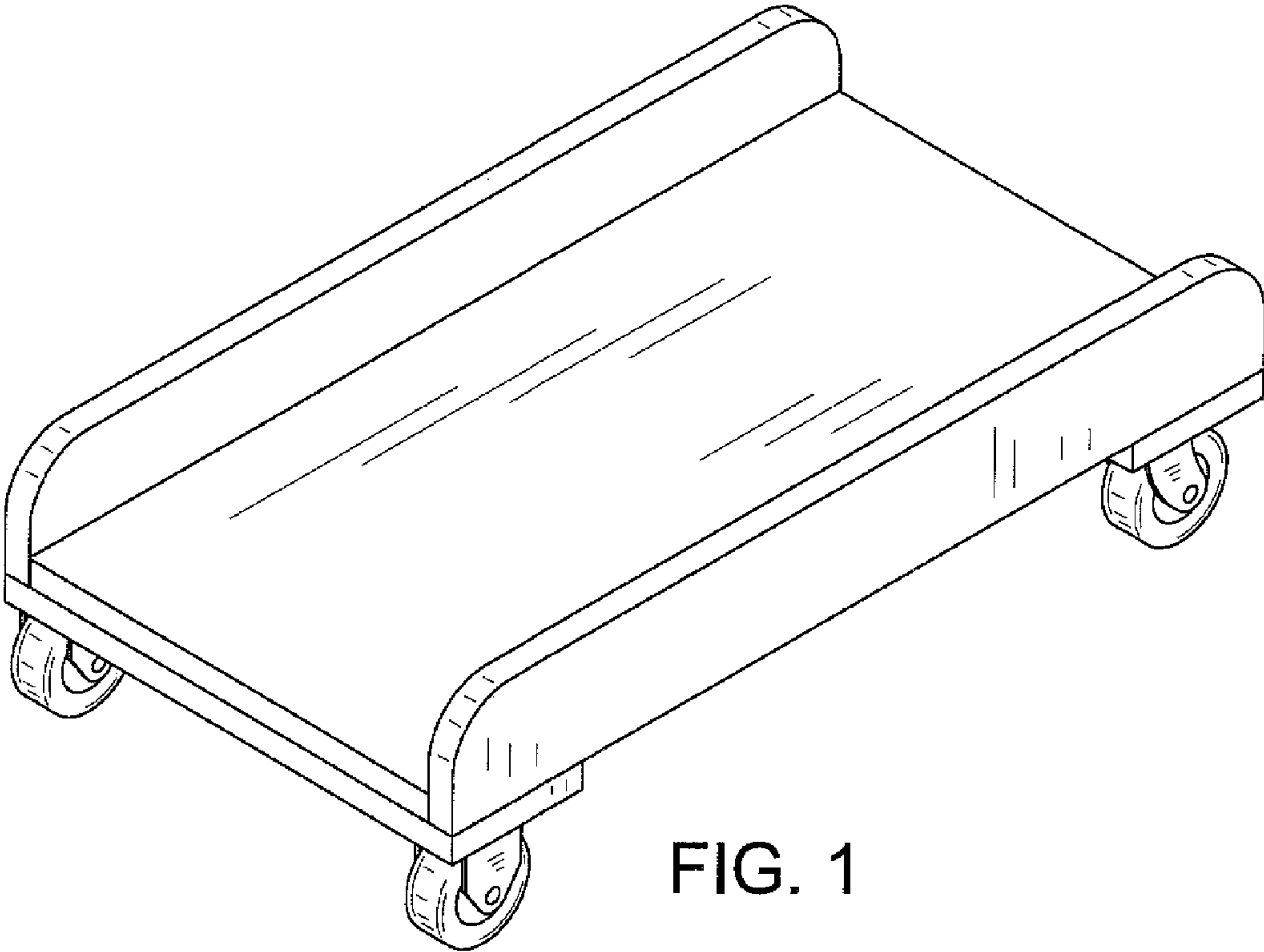


FIG. 1

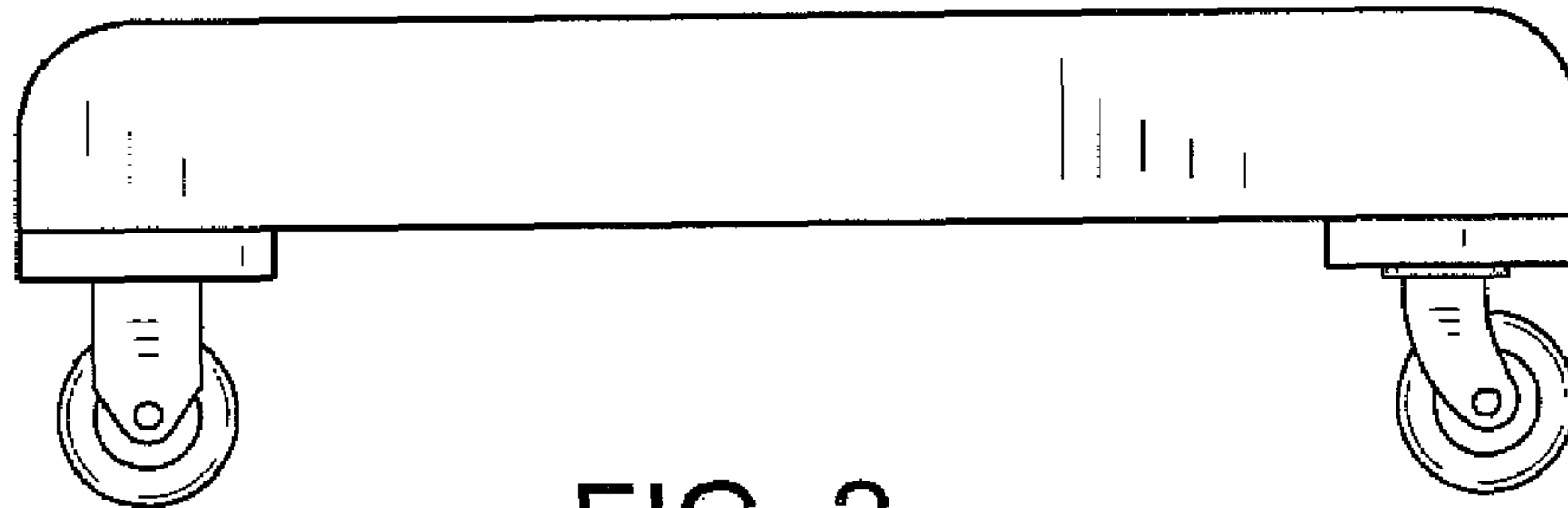


FIG. 2

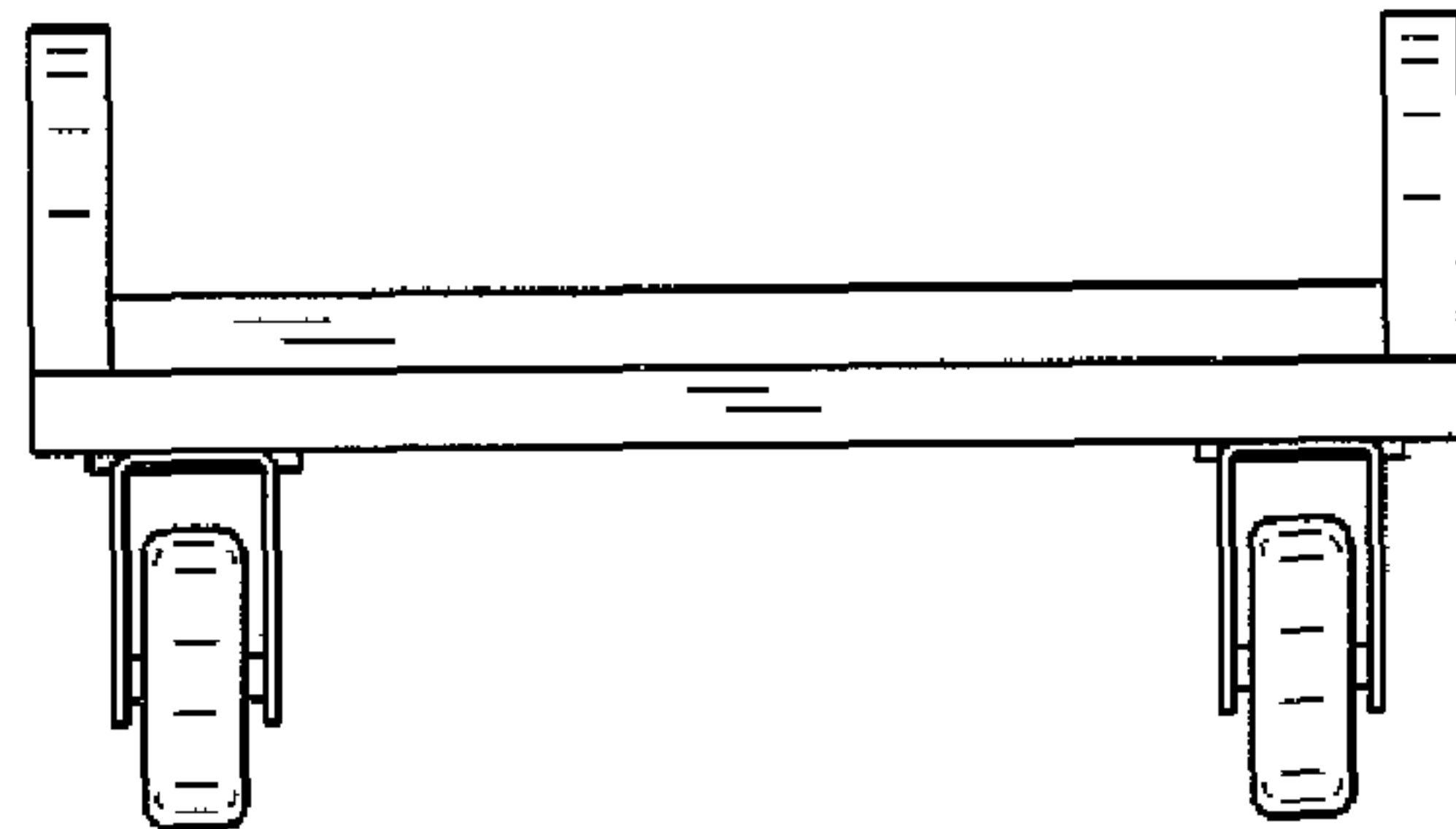


FIG. 3

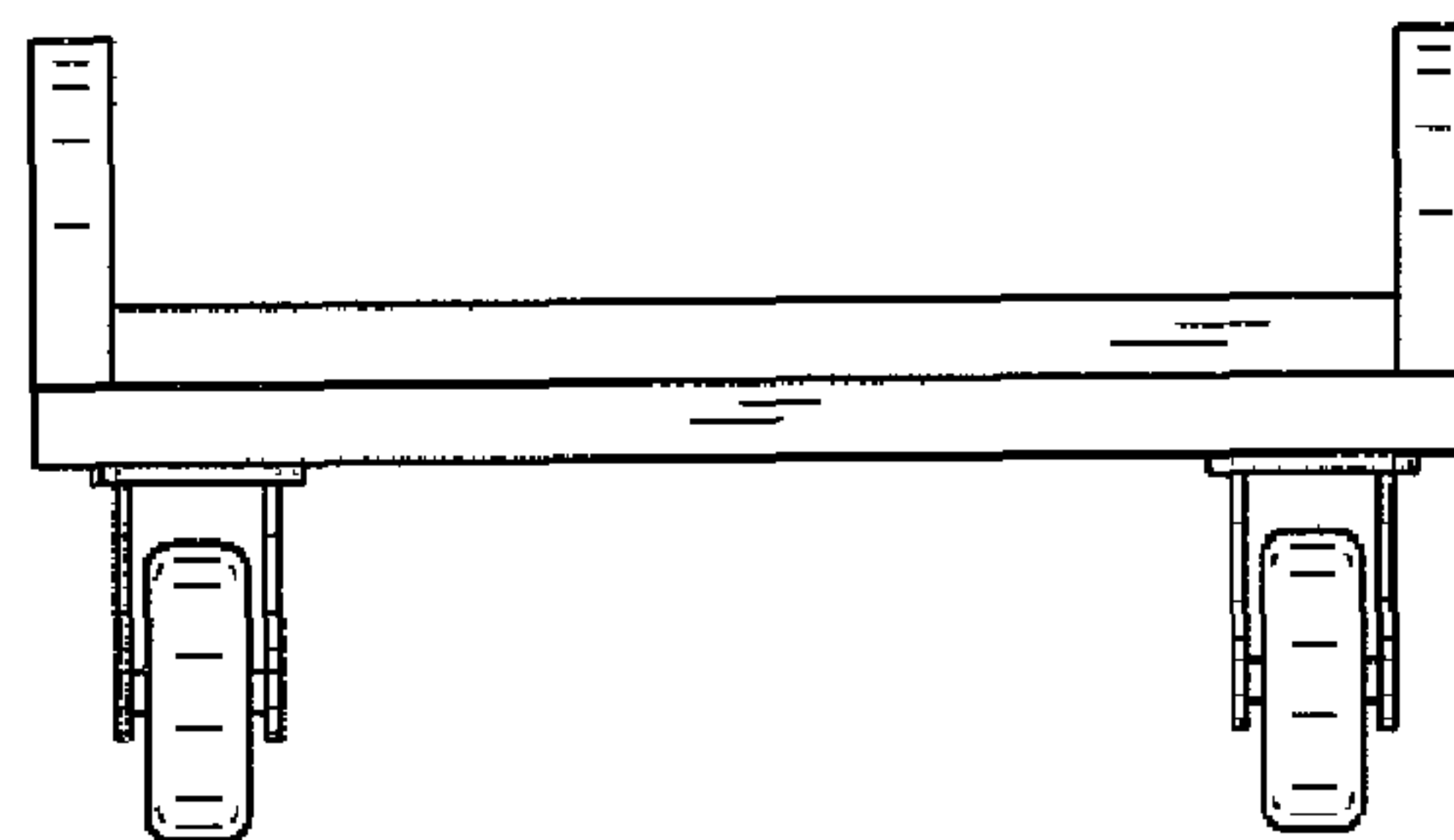


FIG. 4

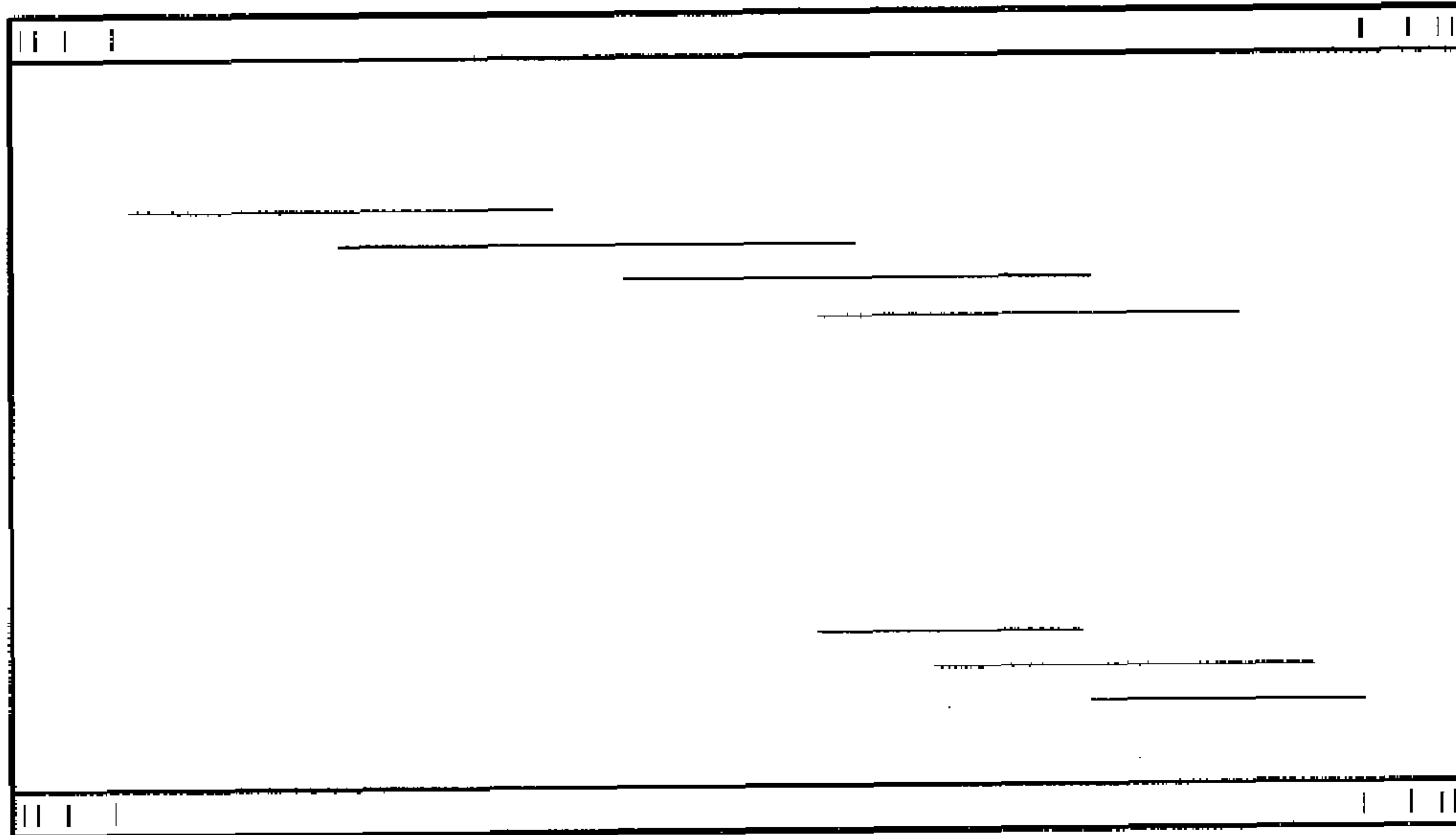


FIG. 5

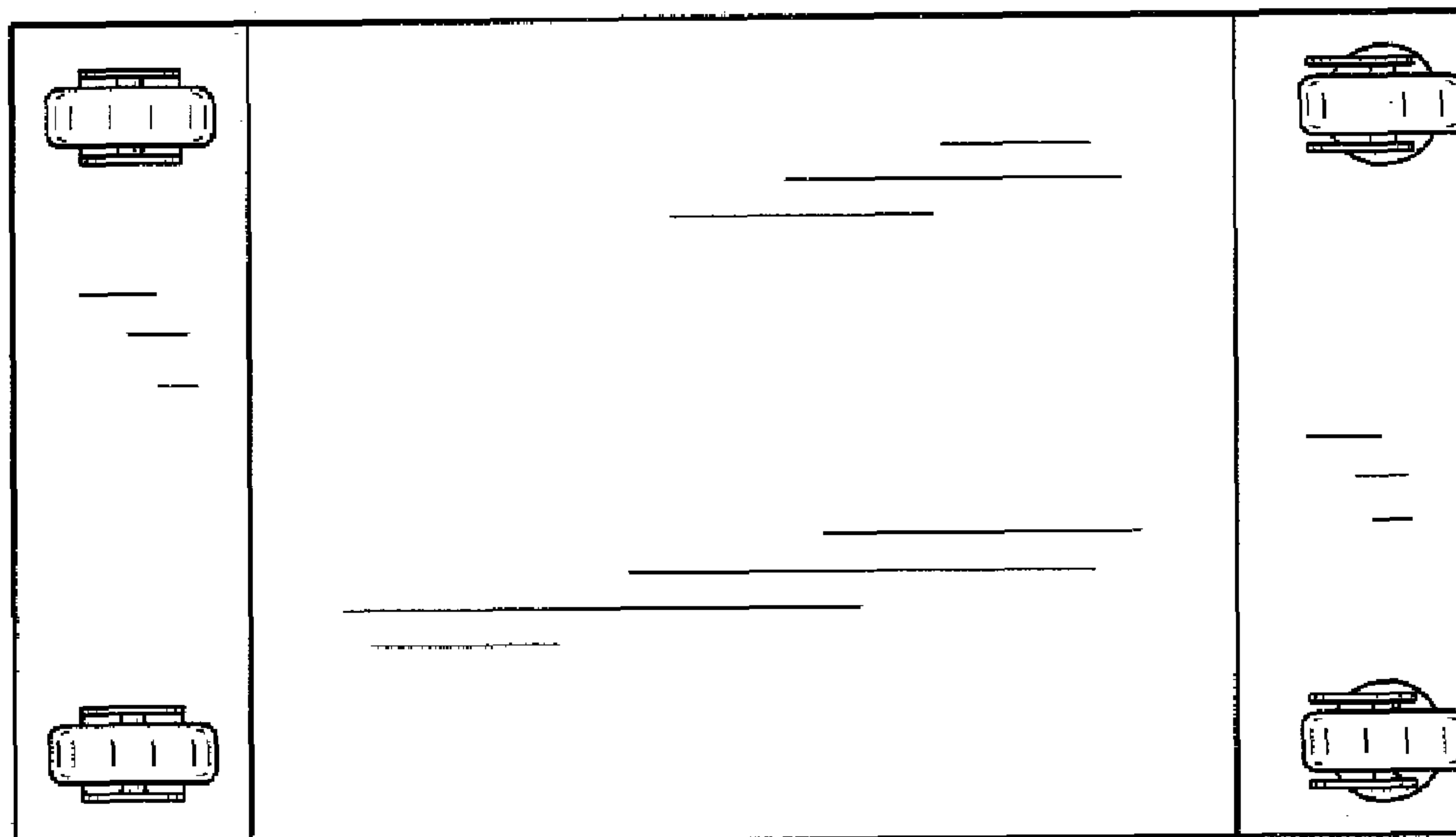


FIG. 6