

US00D594620S

(12) **United States Design Patent**
Tuncel

(10) **Patent No.:** **US D594,620 S**
(45) **Date of Patent:** **** Jun. 16, 2009**

(54) **WASTE RECEPTACLE**

D554,319 S * 10/2007 Chen D34/1
D554,822 S * 11/2007 Dretzka D34/1

(75) Inventor: **Levent Tuncel**, Atlanta, GA (US)

* cited by examiner

(73) Assignee: **Levent Industries, Inc.**, Atlanta, GA (US)

Primary Examiner—Cynthia E Ramirez
(74) *Attorney, Agent, or Firm*—George R. Reardon

(**) Term: **14 Years**

(57) **CLAIM**

(21) Appl. No.: **29/320,362**

I claim the ornamental design for a waste receptacle, as shown.

(22) Filed: **Jun. 25, 2008**

(51) **LOC (9) Cl.** **09-09**

(52) **U.S. Cl.** **D34/1**

(58) **Field of Classification Search** D34/1-11;
220/908-913

See application file for complete search history.

DESCRIPTION

FIG. 1 is a perspective view of a waste receptacle showing my new design;

FIG. 2 is an exploded view of a waste receptacle;

FIG. 3 is a top plan view of a waste receptacle;

FIG. 4 is a bottom plan view of a waste receptacle;

FIG. 5 is a left side plan view of a waste receptacle;

FIG. 6 is a right side plan view of a waste receptacle; and,

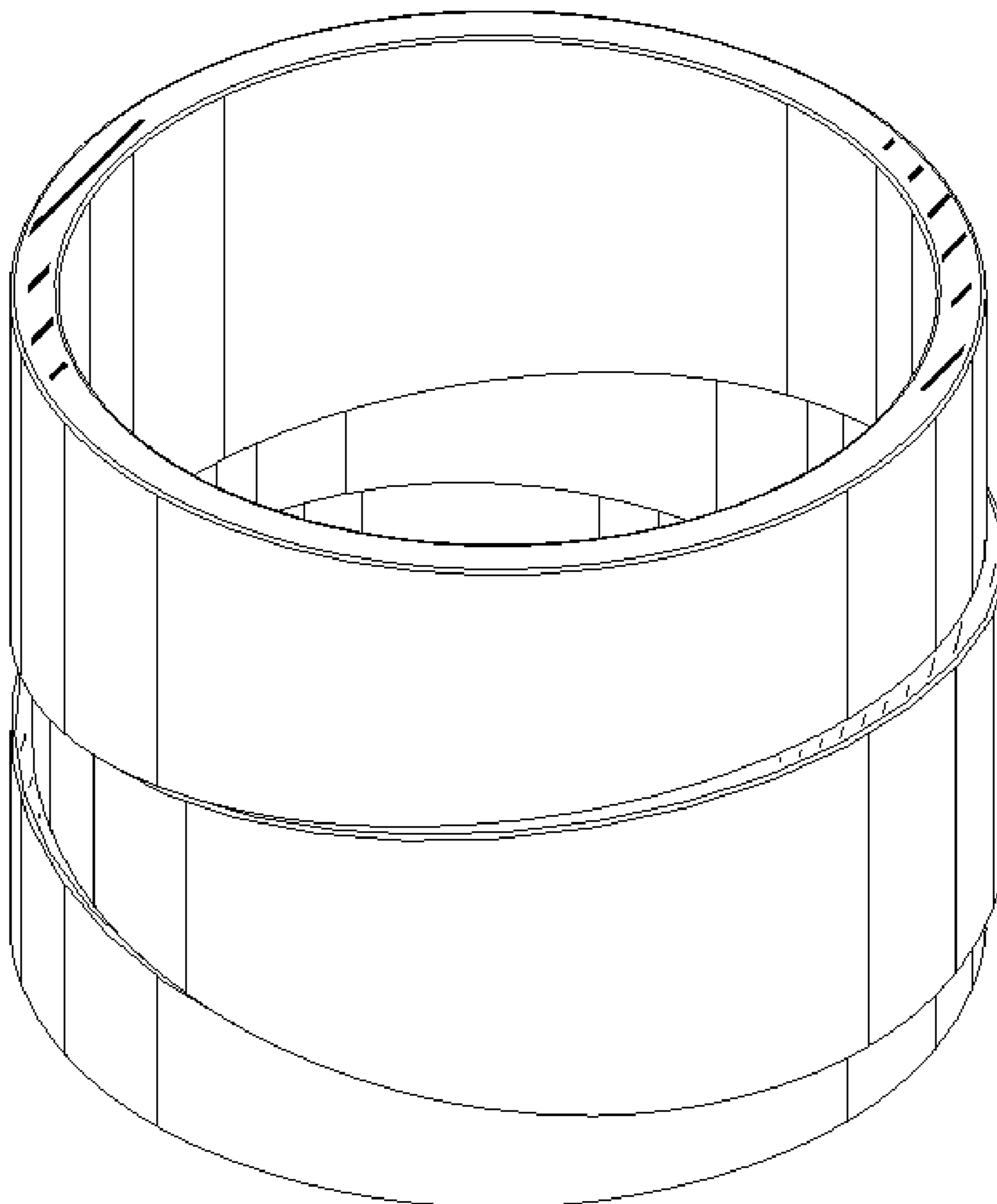
FIG. 7 is a front plan view of a waste receptacle.

(56) **References Cited**

U.S. PATENT DOCUMENTS

- 5,737,903 A * 4/1998 Minutillo 53/475
- 5,740,939 A * 4/1998 Muldner et al. 220/495.11
- 5,862,932 A * 1/1999 Walsh et al. 220/8
- 6,155,411 A * 12/2000 Ho 206/77.1

1 Claim, 7 Drawing Sheets



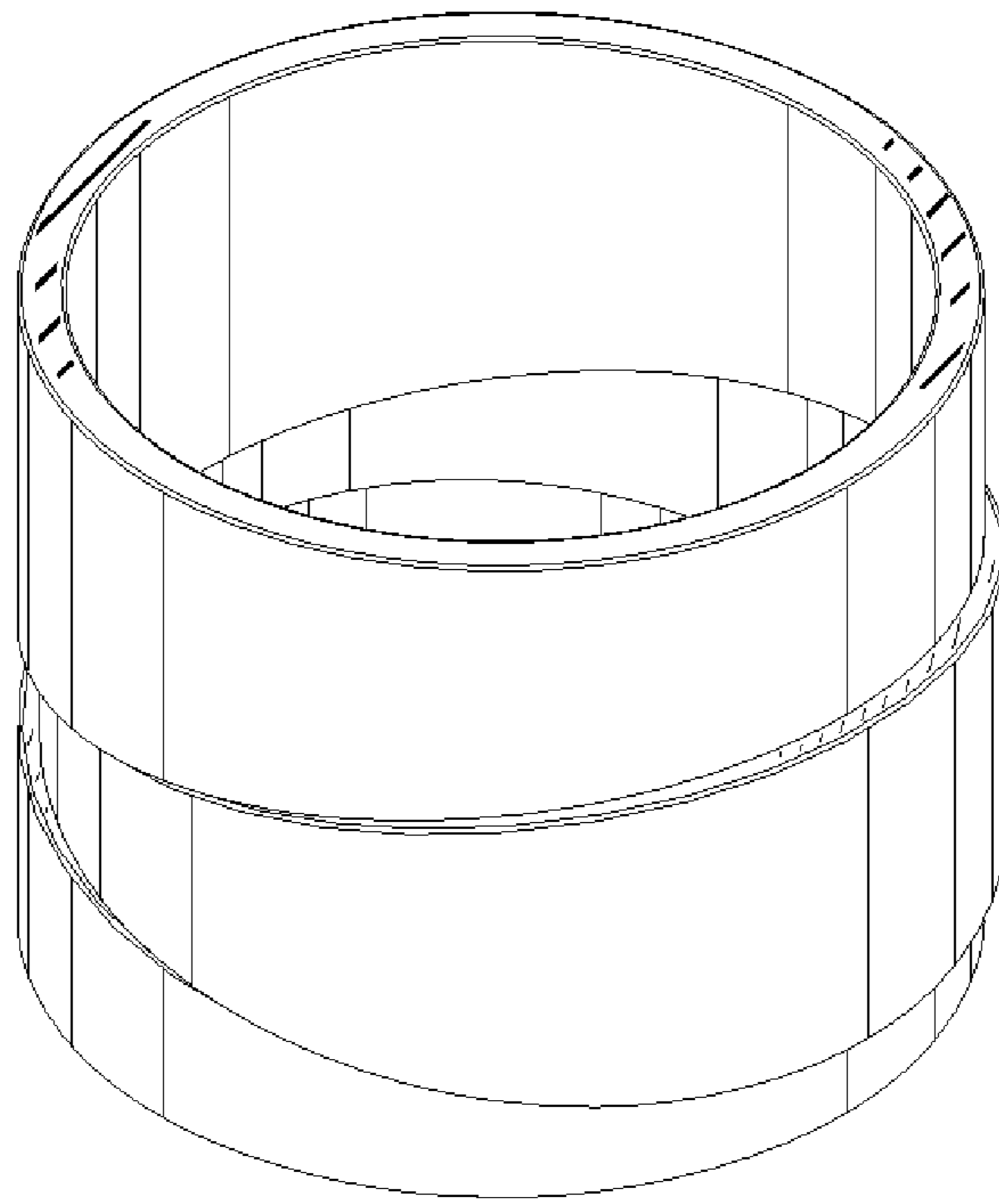


FIG. 1

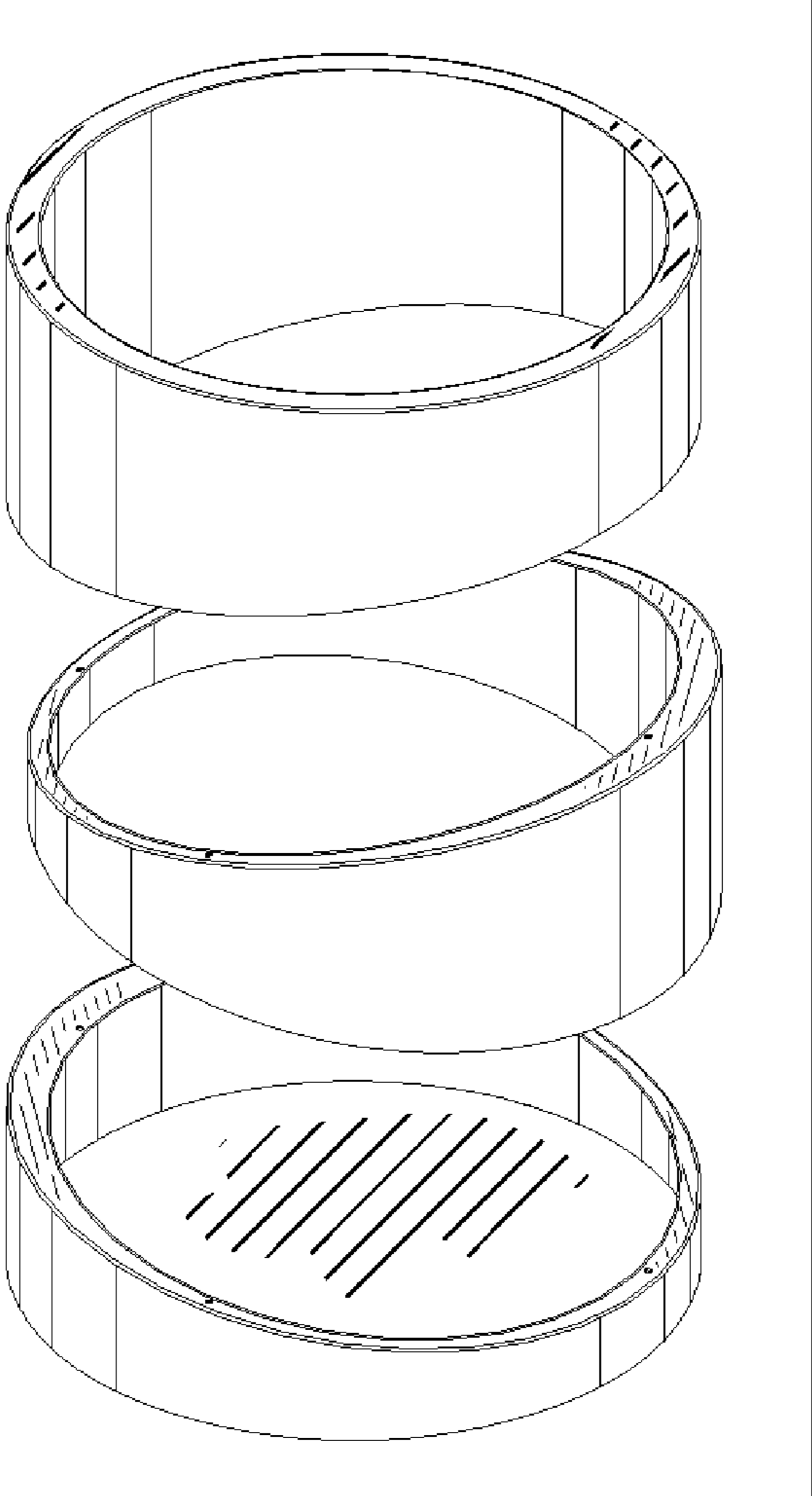


FIG. 2

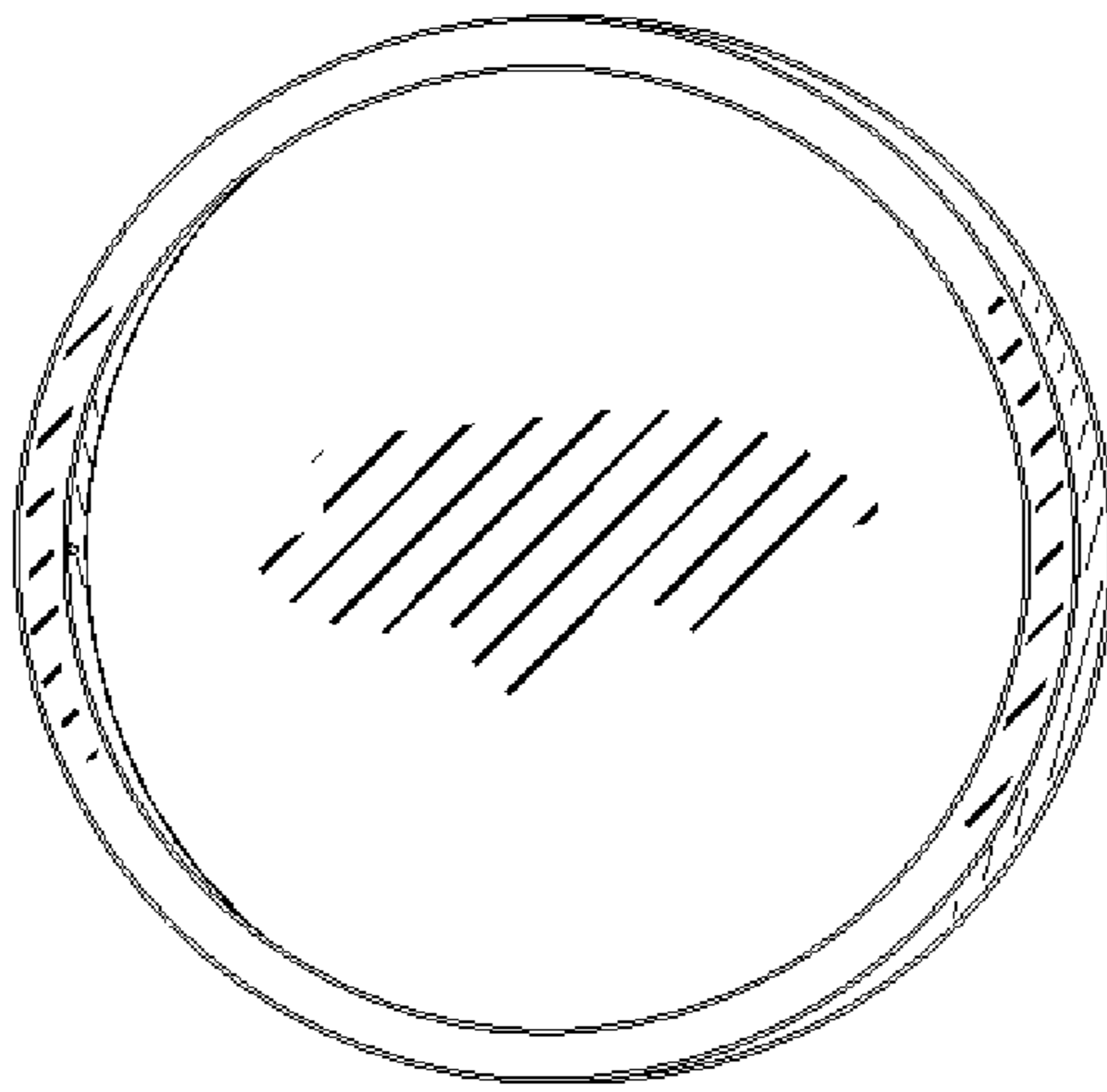


FIG. 3

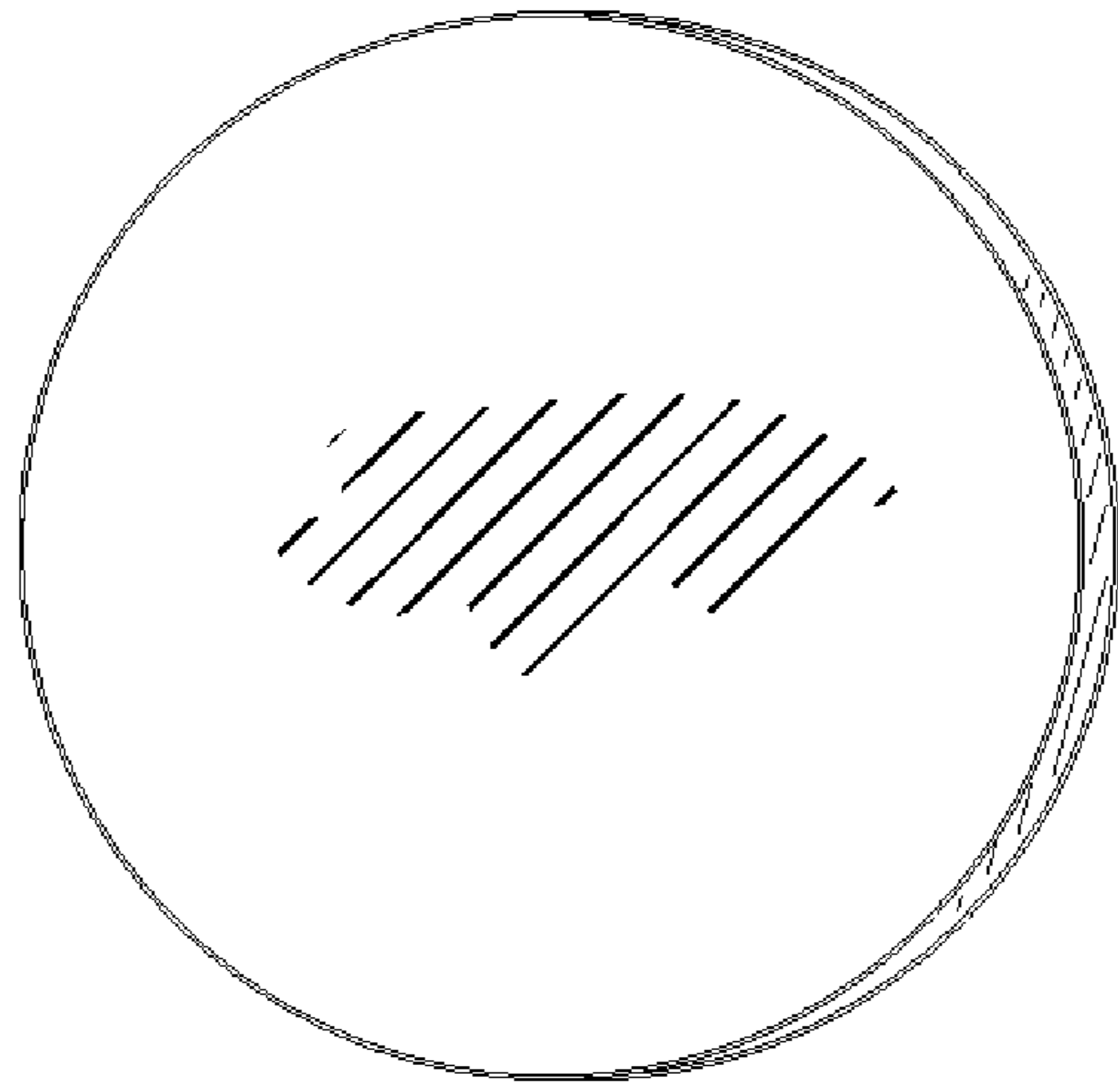


FIG. 4

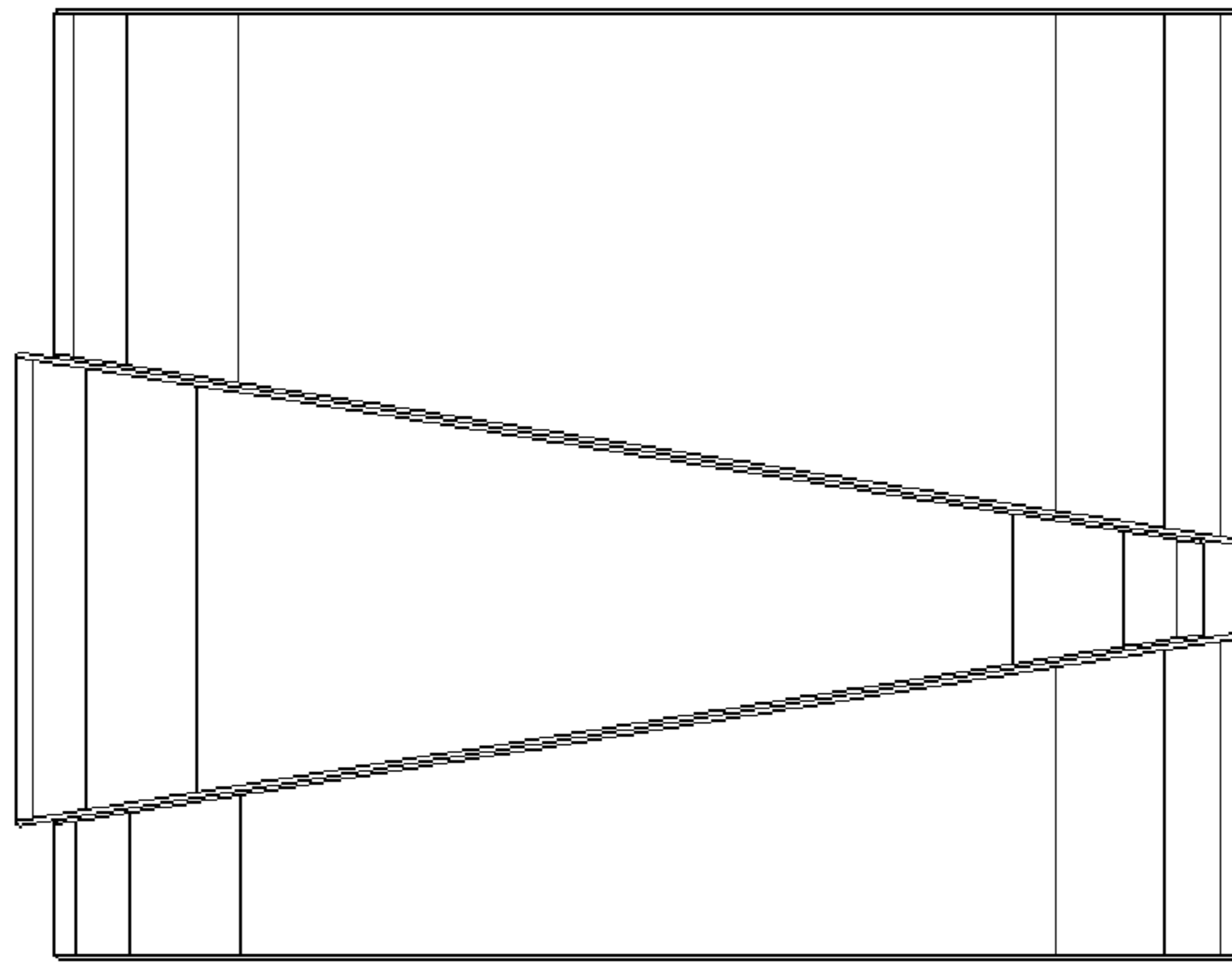


FIG. 5

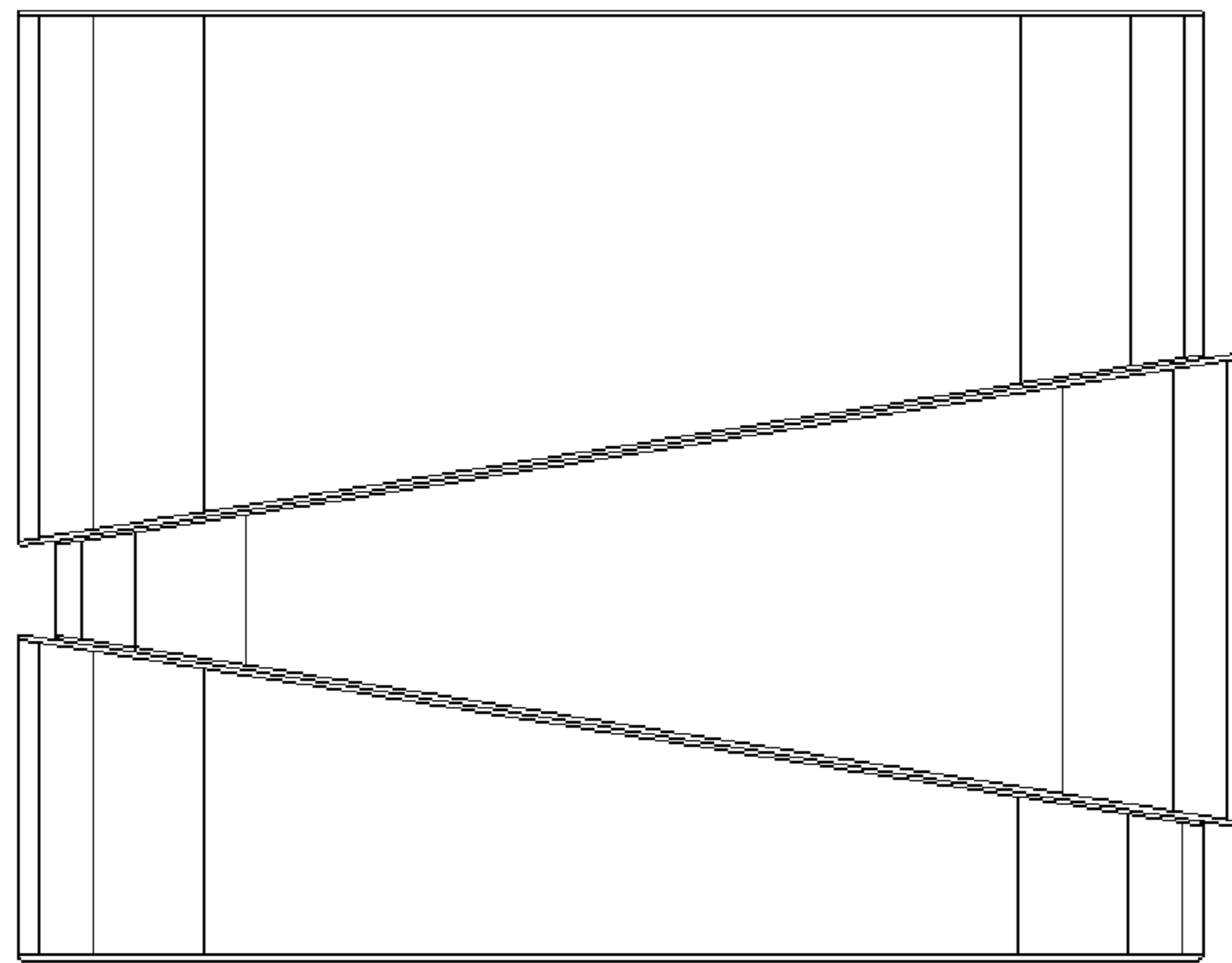


FIG. 6

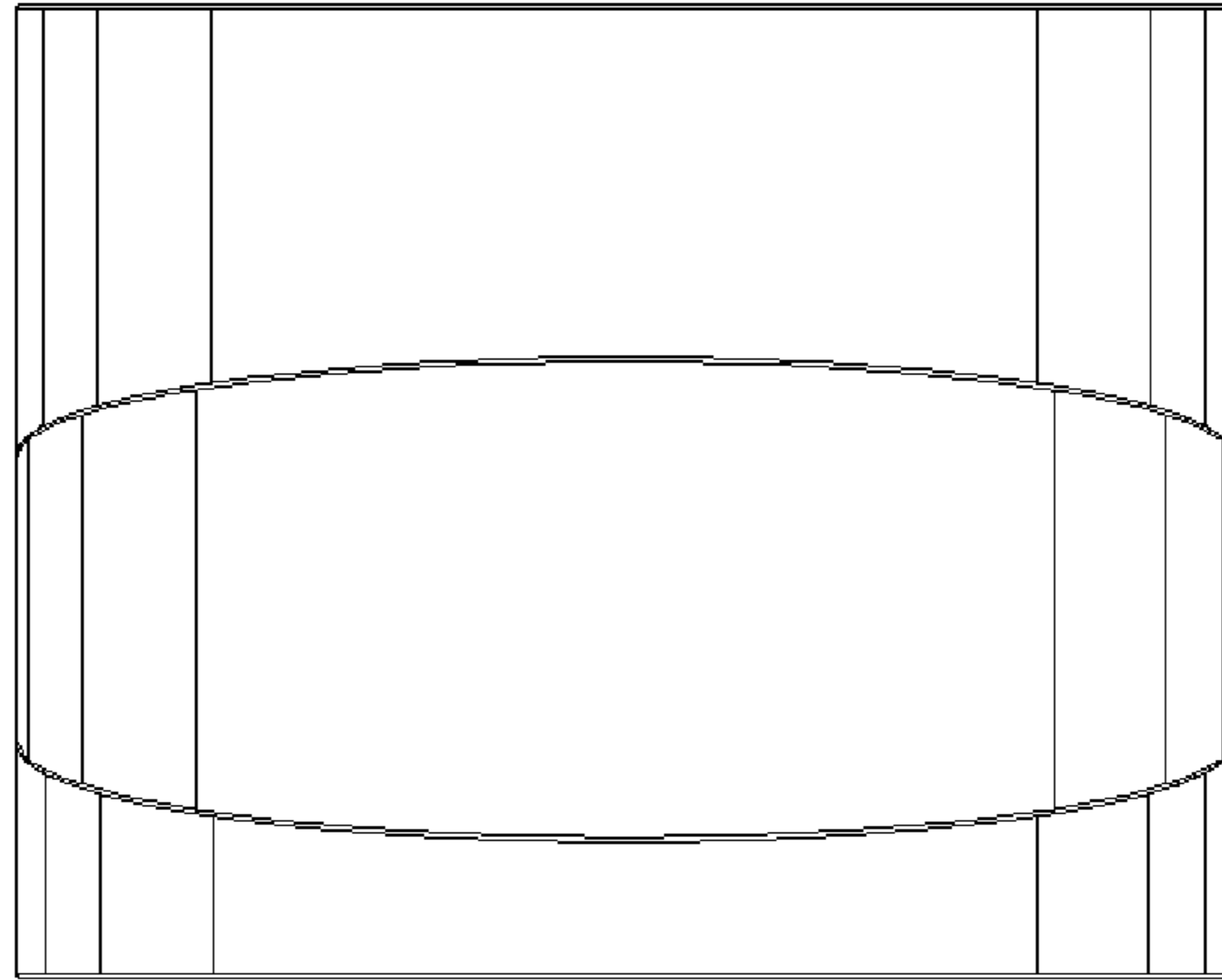


FIG. 7