



US00D594619S

(12) **United States Design Patent**
Tuncel

(10) **Patent No.:** **US D594,619 S**
(45) **Date of Patent:** **** Jun. 16, 2009**

(54) **WASTE RECEPTACLE**

Primary Examiner—Cynthia E Ramirez
(74) *Attorney, Agent, or Firm*—George R. Reardon

(75) Inventor: **Levent Tuncel**, Atlanta, GA (US)

(73) Assignee: **Levent Industries, Inc.**, Atlanta, GA (US)

(57) **CLAIM**

(**) Term: **14 Years**

I claim the ornamental design for a waste receptacle, as shown.

(21) Appl. No.: **29/320,357**

(22) Filed: **Jun. 25, 2008**

DESCRIPTION

(51) **LOC (9) Cl.** **09-09**

(52) **U.S. Cl.** **D34/1**

(58) **Field of Classification Search** D34/1-11;
220/908-913

See application file for complete search history.

FIG. 1 is a perspective view of a waste receptacle showing my new design;

FIG. 2 is a perspective view thereof;

FIG. 3 is a front elevational view thereof;

FIG. 4 is a right side elevational view thereof;

FIG. 5 is a left side elevational view thereof;

FIG. 6 is a rear elevational view thereof;

FIG. 7 is a bottom plan view thereof; and,

FIG. 8 is a top plan view thereof.

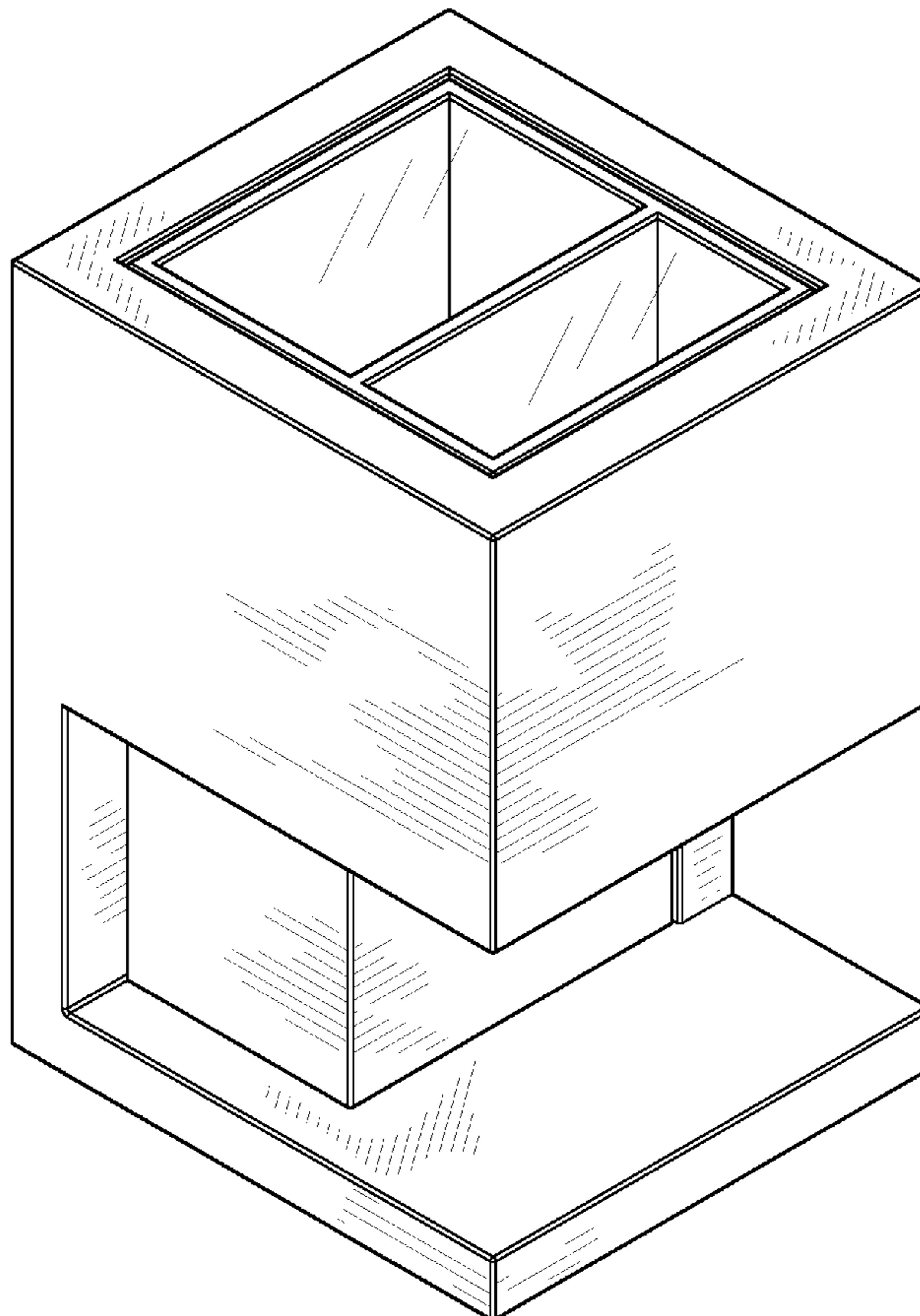
(56) **References Cited**

U.S. PATENT DOCUMENTS

D273,147 S *	3/1984	Iverson	D34/6
D337,401 S *	7/1993	Maxwell	D34/1
D554,320 S *	10/2007	Williams	D34/1
D584,467 S *	1/2009	Tuncel	D34/7

* cited by examiner

1 Claim, 8 Drawing Sheets



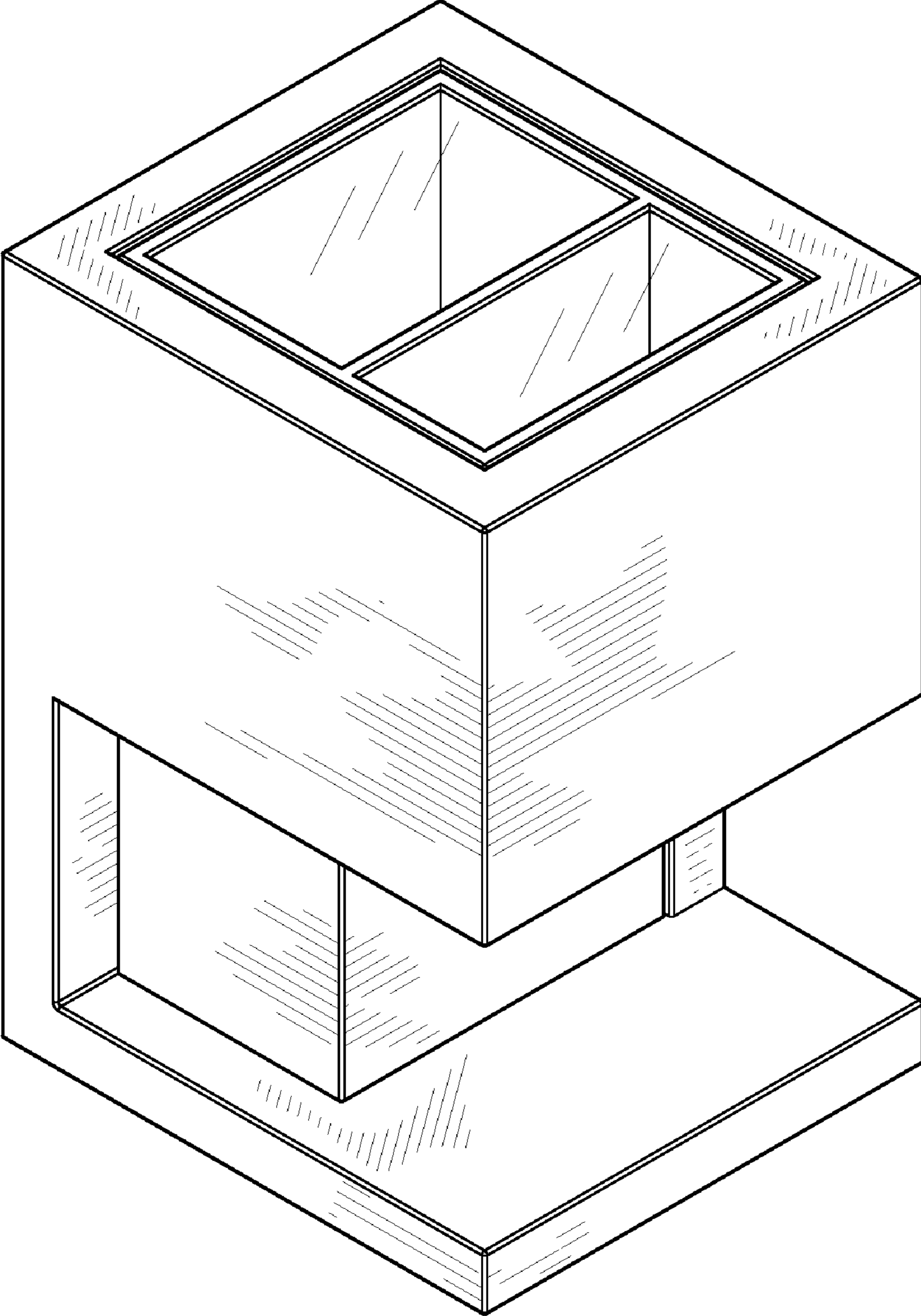


FIG. 1

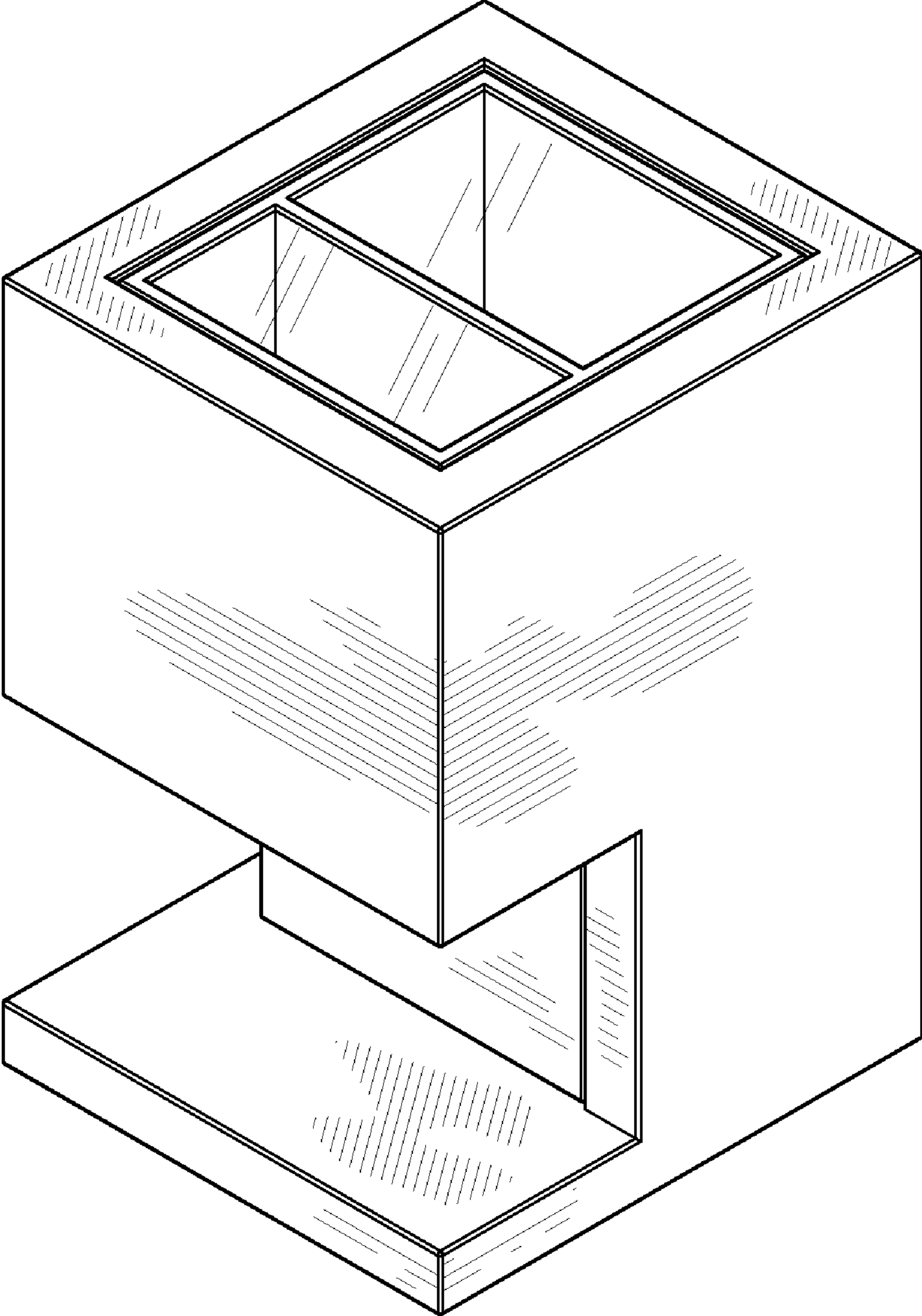


FIG. 2

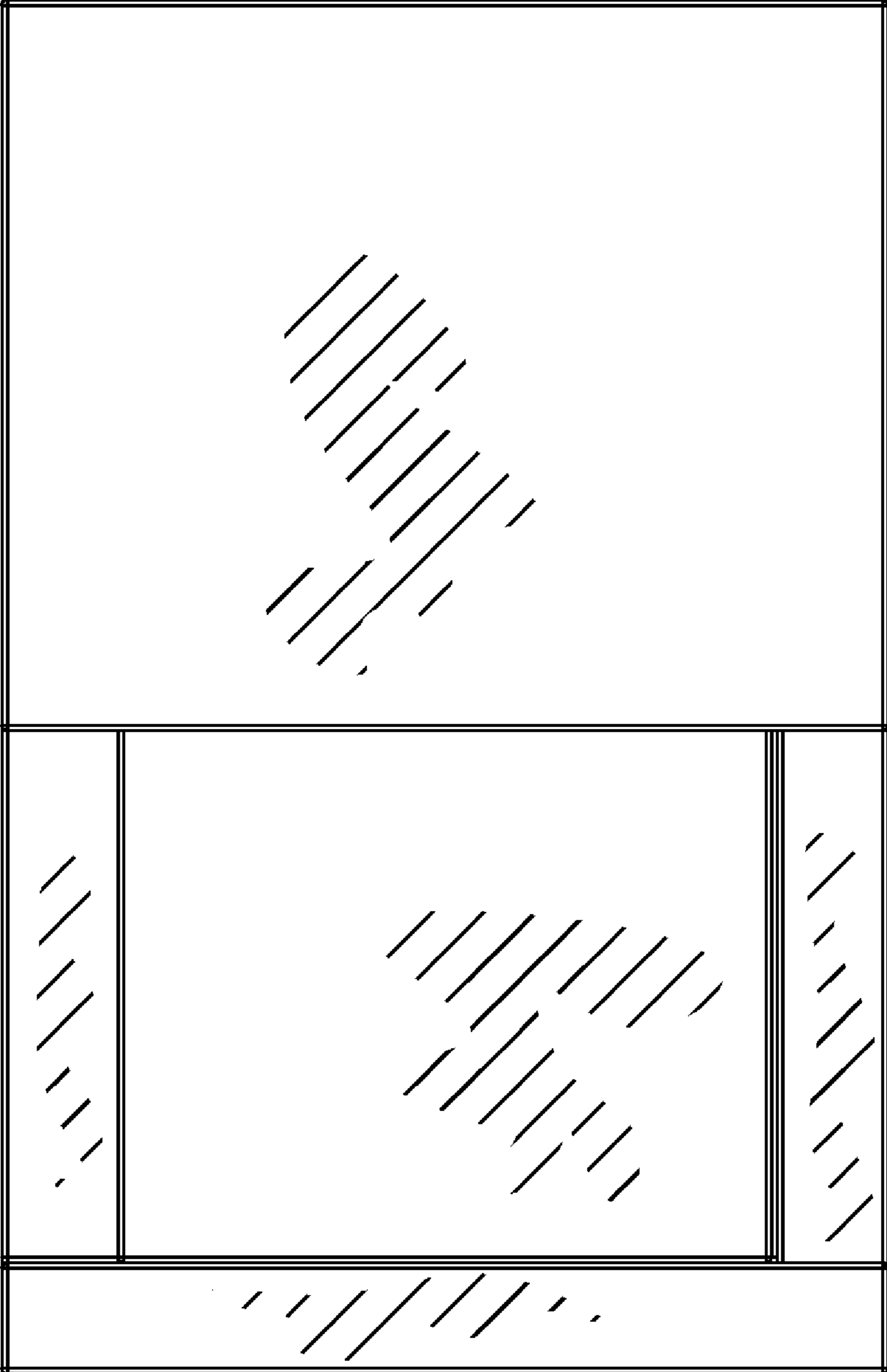


FIG. 3

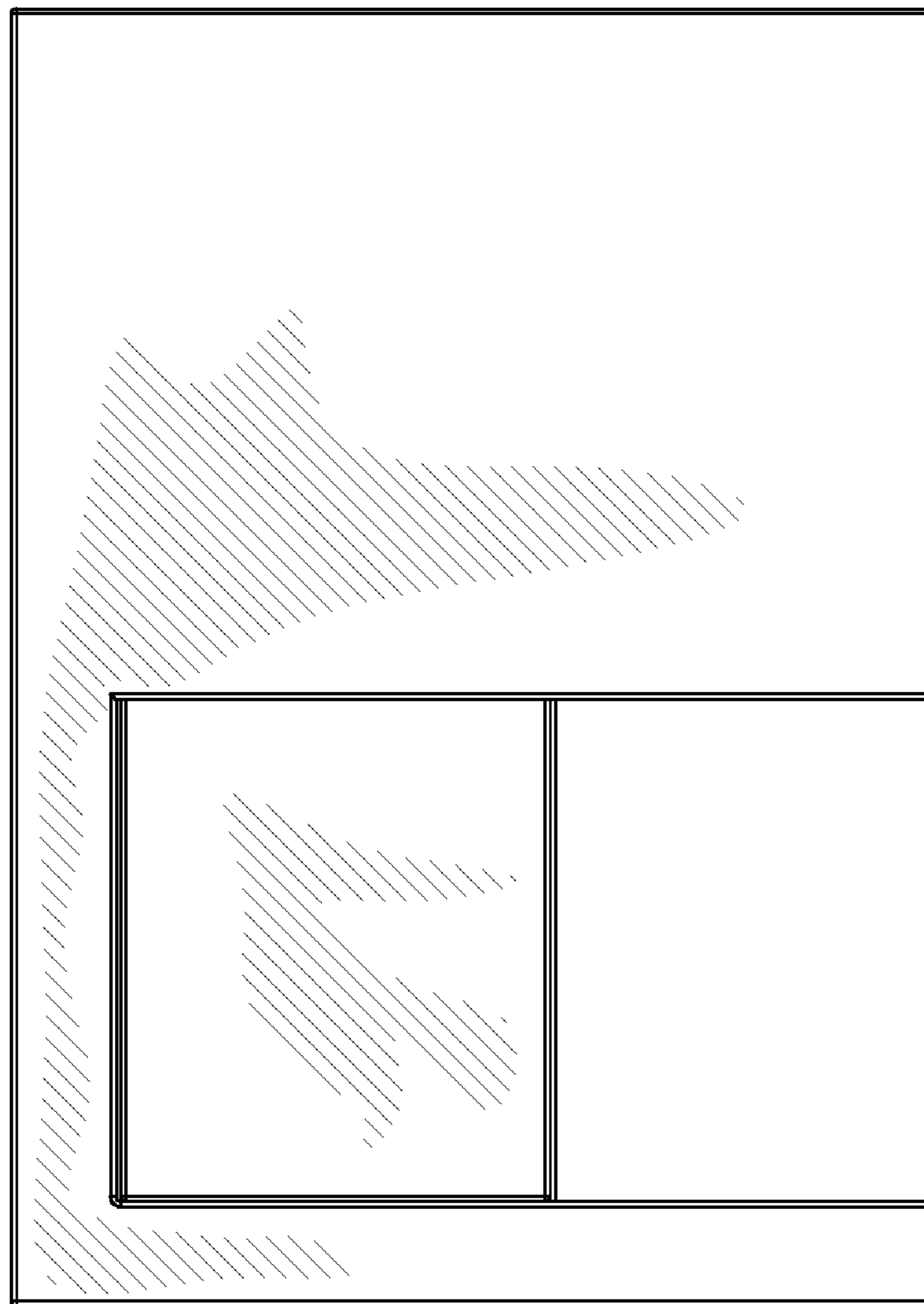


FIG. 4

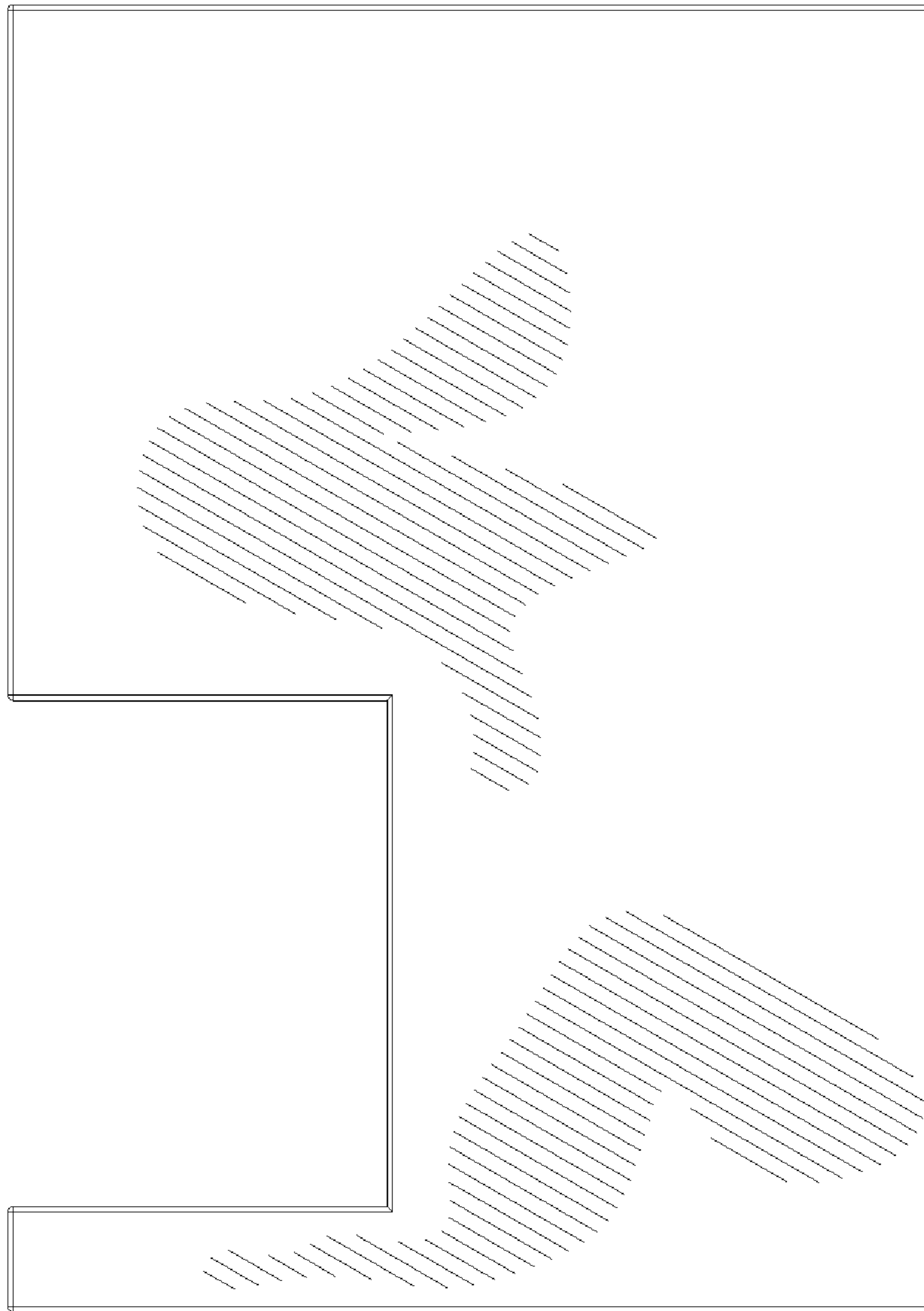


FIG. 5



FIG. 6



FIG. 7

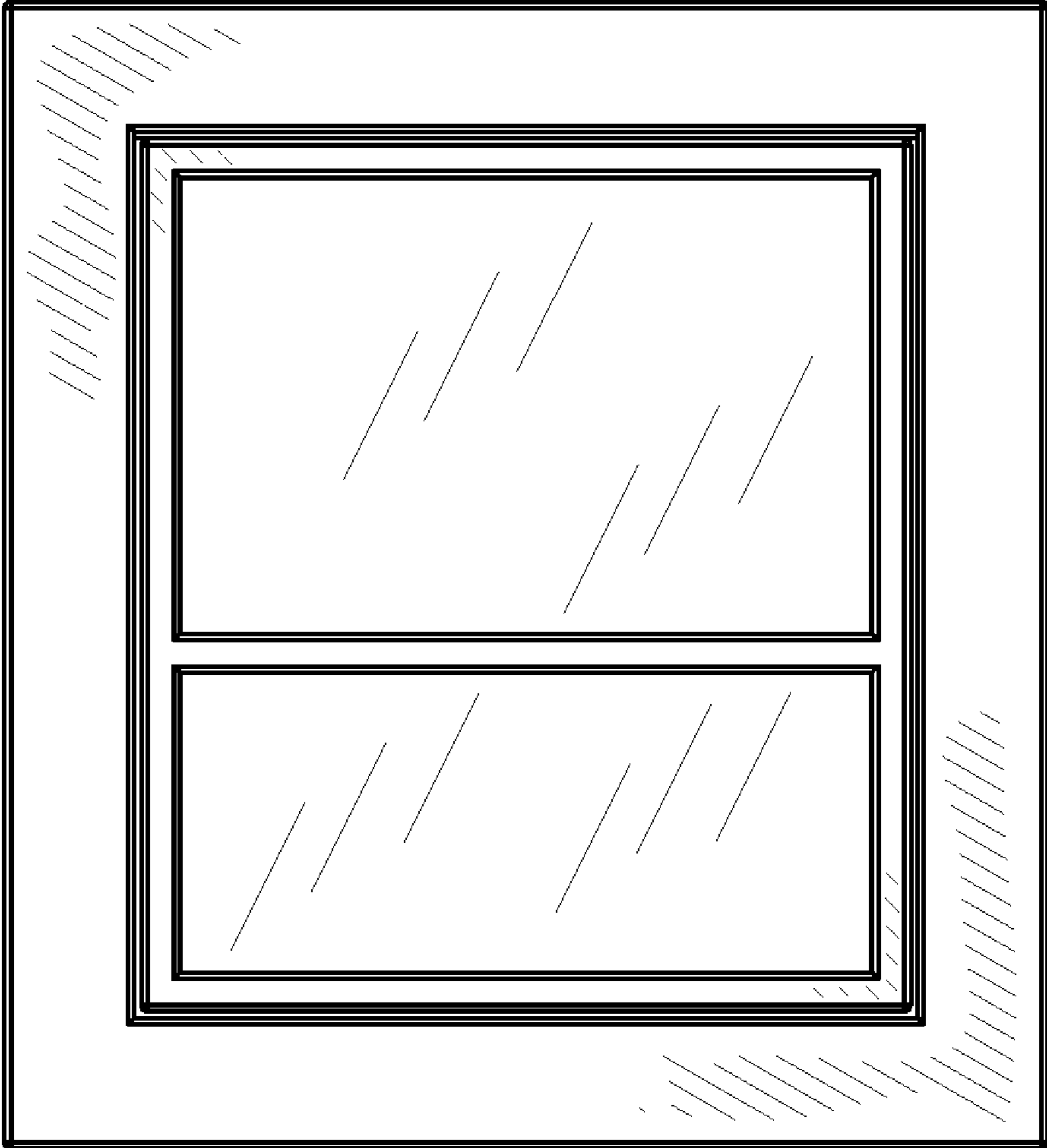


FIG. 8