



US00D594618S

(12) **United States Design Patent**  
**Şekercioğlu**

(10) **Patent No.:** **US D594,618 S**  
(45) **Date of Patent:** **\*\* Jun. 16, 2009**

(54) **DUST PAN**

6,732,402 B1 \* 5/2004 Hsu ..... 15/257.6  
D545,022 S \* 6/2007 Morad ..... D32/74  
D551,820 S \* 9/2007 Morad ..... D32/74

(75) Inventor: **Kunter Şekercioğlu**, Istanbul (TR)

(73) Assignee: **Banat Firça Ve Plastik Sanayi Anonim Sirketi**, Istanbul (TR)

\* cited by examiner

*Primary Examiner*—Pamela J Burgess  
(74) *Attorney, Agent, or Firm*—Egbert Law Offices PLLC

(\*\*) Term: **14 Years**

(21) Appl. No.: **29/321,343**

(57) **CLAIM**

(22) Filed: **Jul. 15, 2008**

The ornamental design for a dust pan, as shown and described.

(51) **LOC (9) Cl.** ..... **07-05**

(52) **U.S. Cl.** ..... **D32/74**

(58) **Field of Classification Search** ..... D32/74;  
15/257.1, 257.4, 257.8, 257.9, 257.3; D34/1  
See application file for complete search history.

**DESCRIPTION**

FIG. 1 is a side elevation view of the dust pan showing my design.

FIG. 2 is an opposite side elevation view thereof;

FIG. 3 is a top plan view thereof;

FIG. 4 is a bottom plan view thereof;

FIG. 5 is a front view thereof;

FIG. 6 is a back view thereof;

FIG. 7 is an upper perspective view thereof; and,

FIG. 8 is rear perspective view thereof.

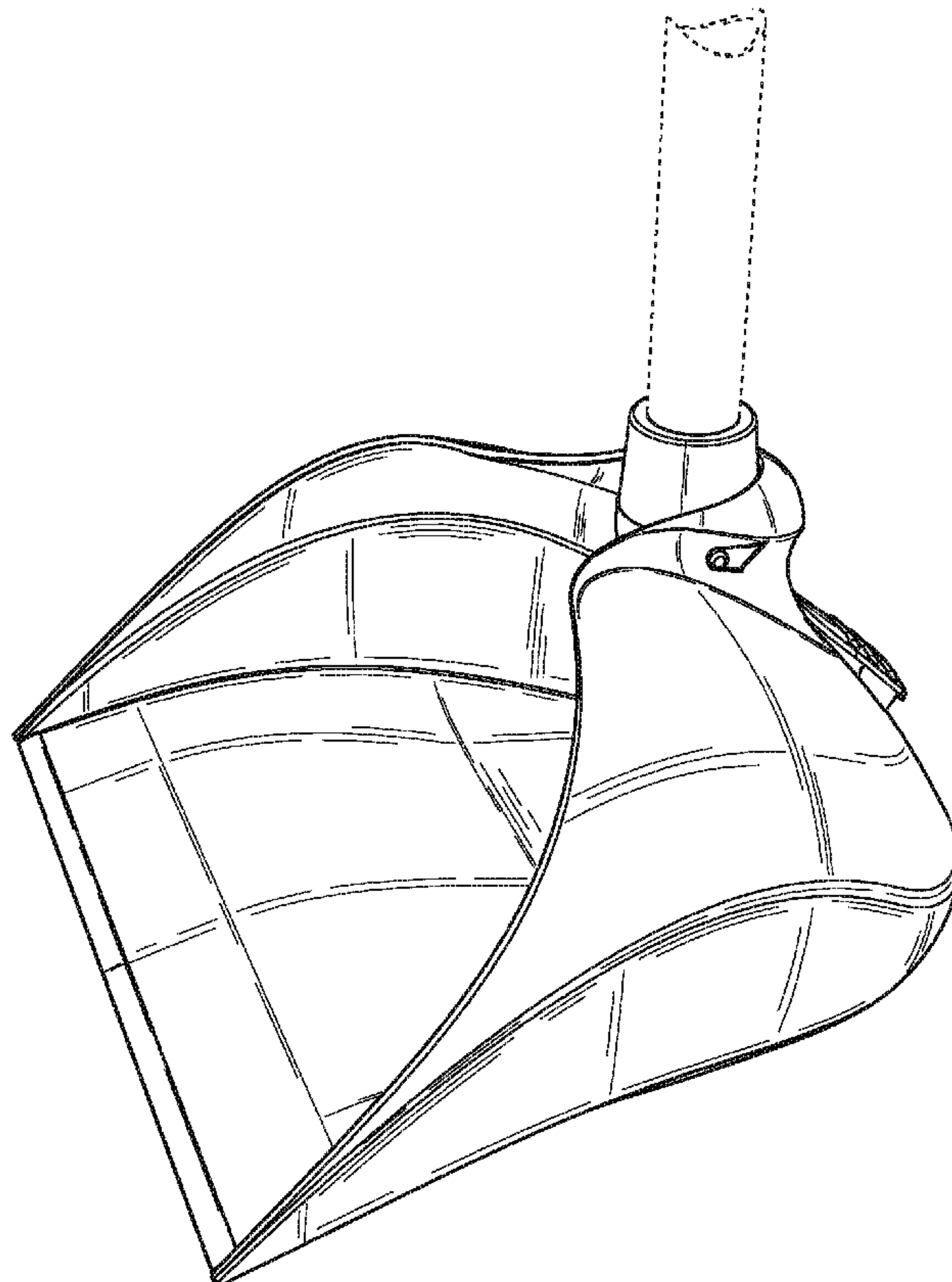
The broken lines shown in the drawings are for illustrative purposes only and form no part of the claimed design.

(56) **References Cited**

U.S. PATENT DOCUMENTS

5,012,542	A *	5/1991	Lynn	.....	15/1
5,325,565	A *	7/1994	Suzuki	.....	15/257.4
5,343,589	A *	9/1994	Davenport	.....	15/257.4
5,457,844	A *	10/1995	Hanna et al.	.....	15/257.3
5,715,564	A *	2/1998	Knouse	.....	15/257.3
D393,120	S *	3/1998	Leonard et al.	.....	D32/74
D402,780	S *	12/1998	Alt	.....	D32/74
D441,933	S *	5/2001	Savage et al.	.....	D34/1
6,282,745	B1 *	9/2001	Alt	.....	15/257.4
D468,879	S *	1/2003	Perelli	.....	D32/74

**1 Claim, 4 Drawing Sheets**



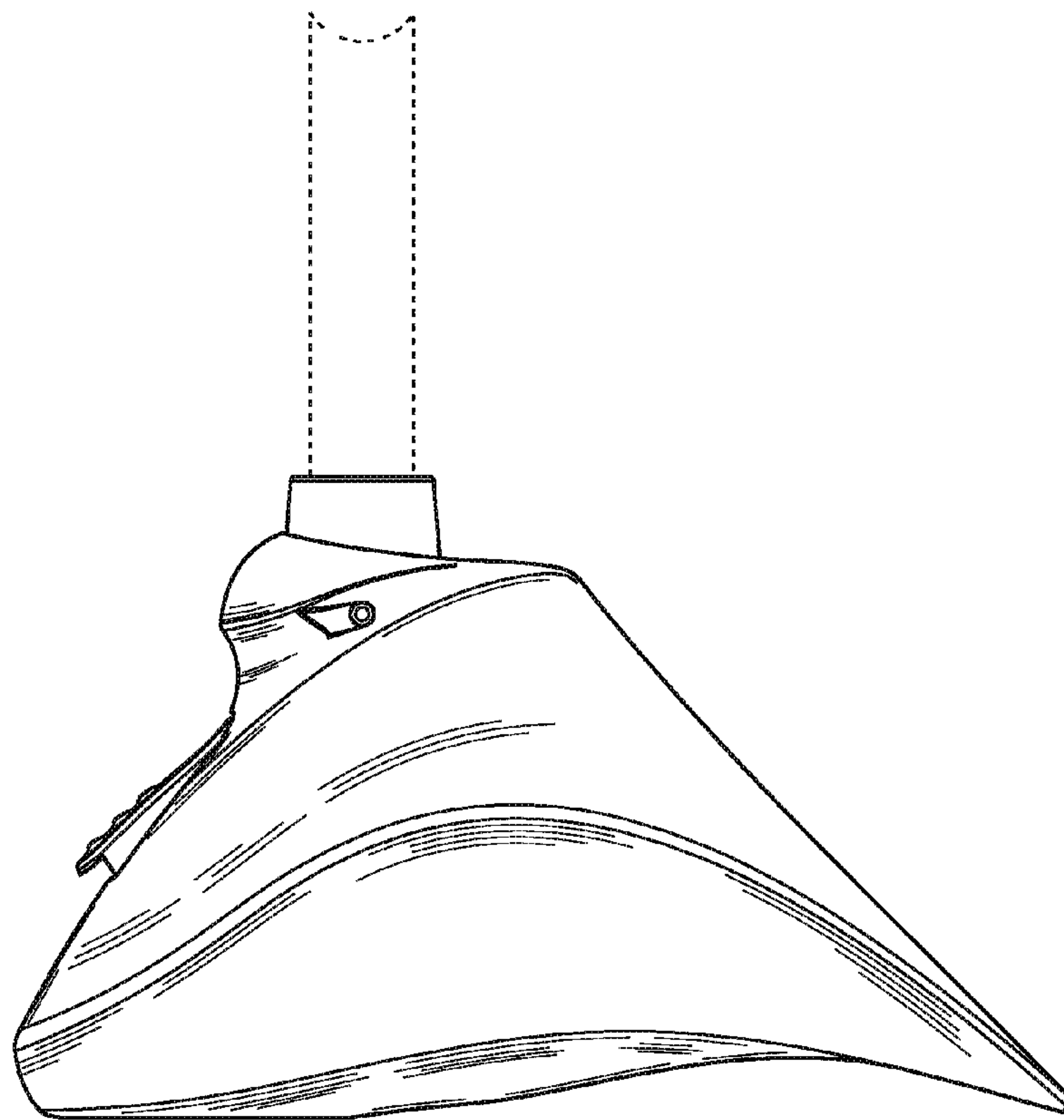


FIG.1

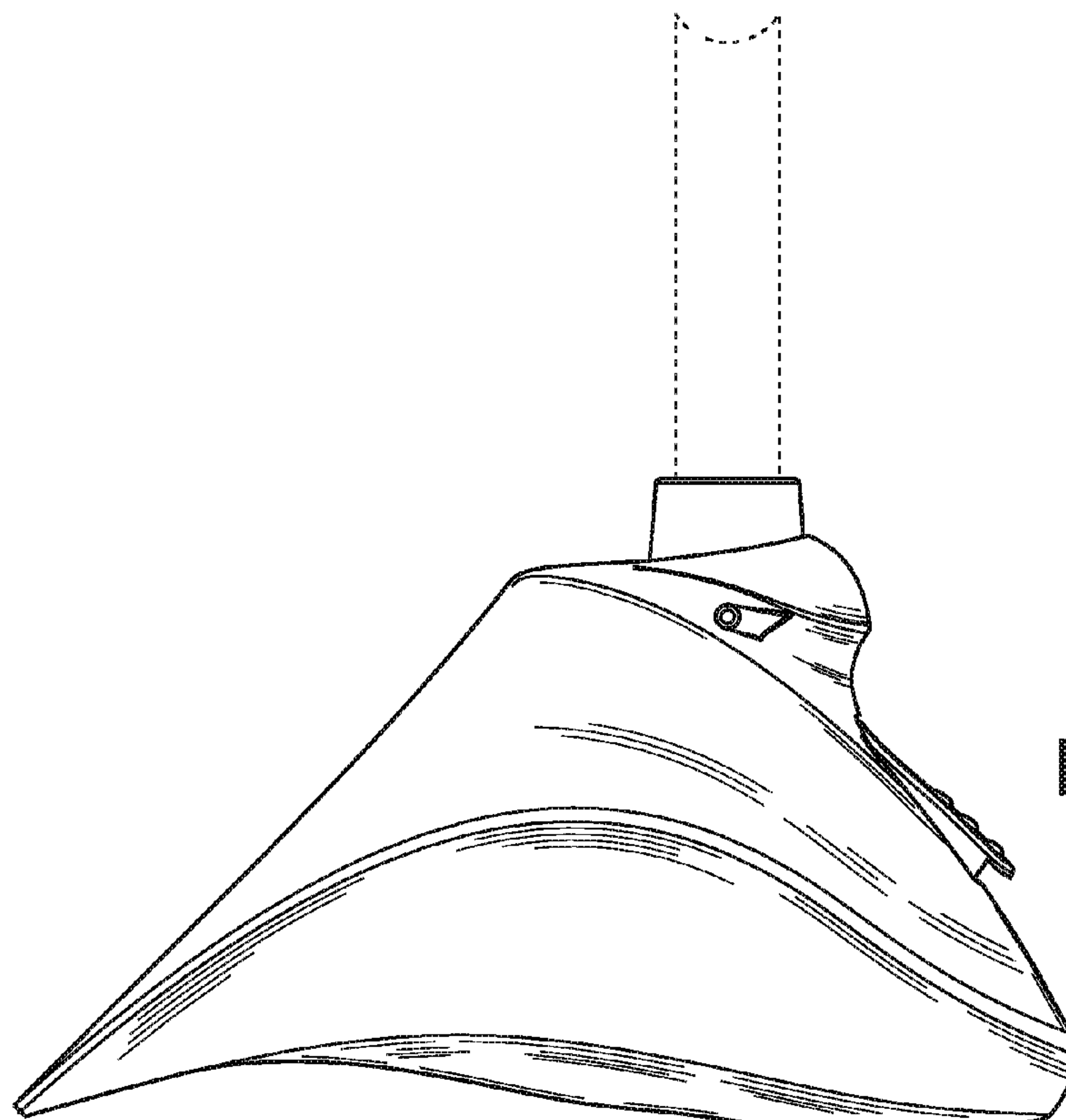


FIG.2

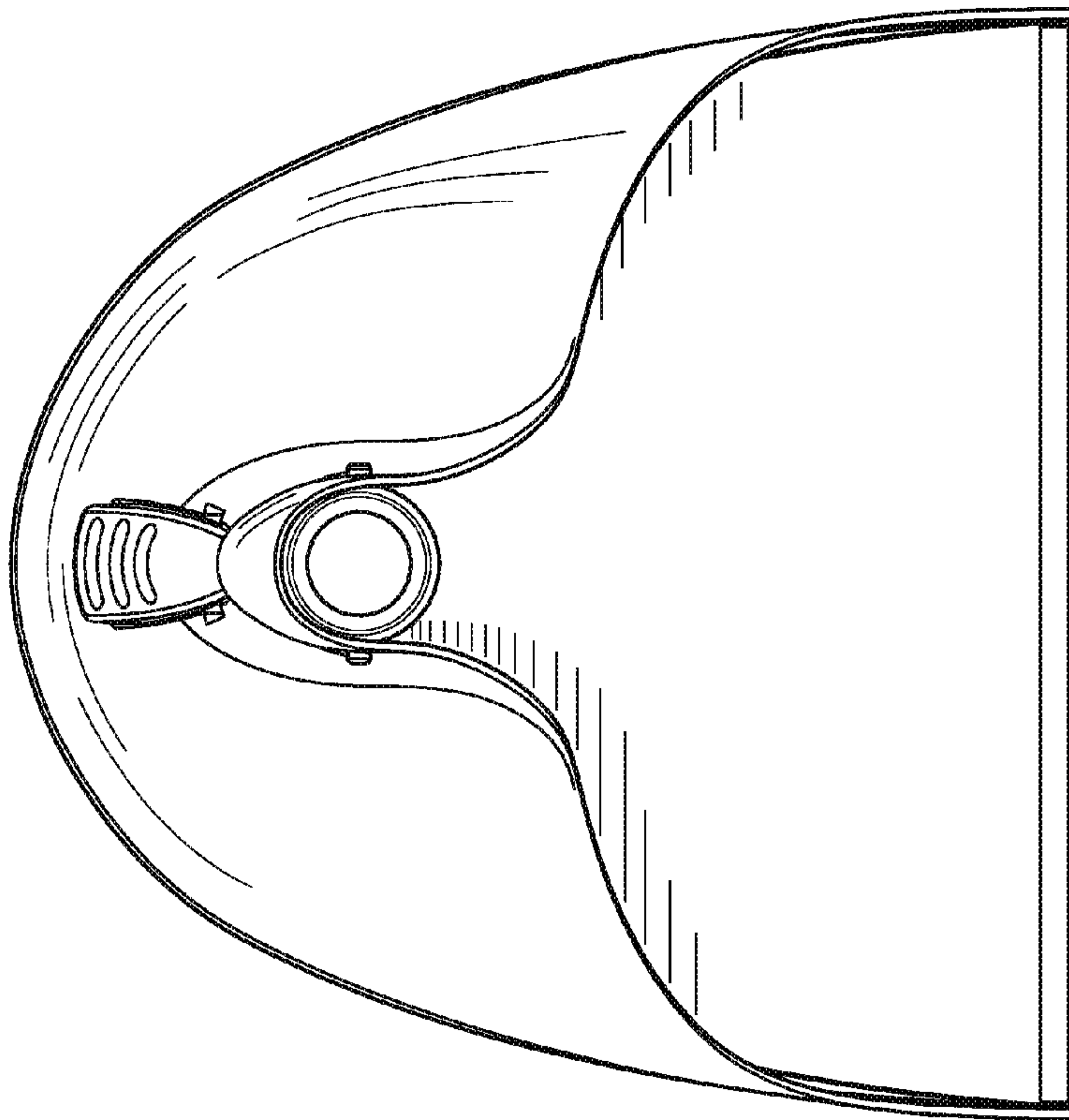


FIG.3

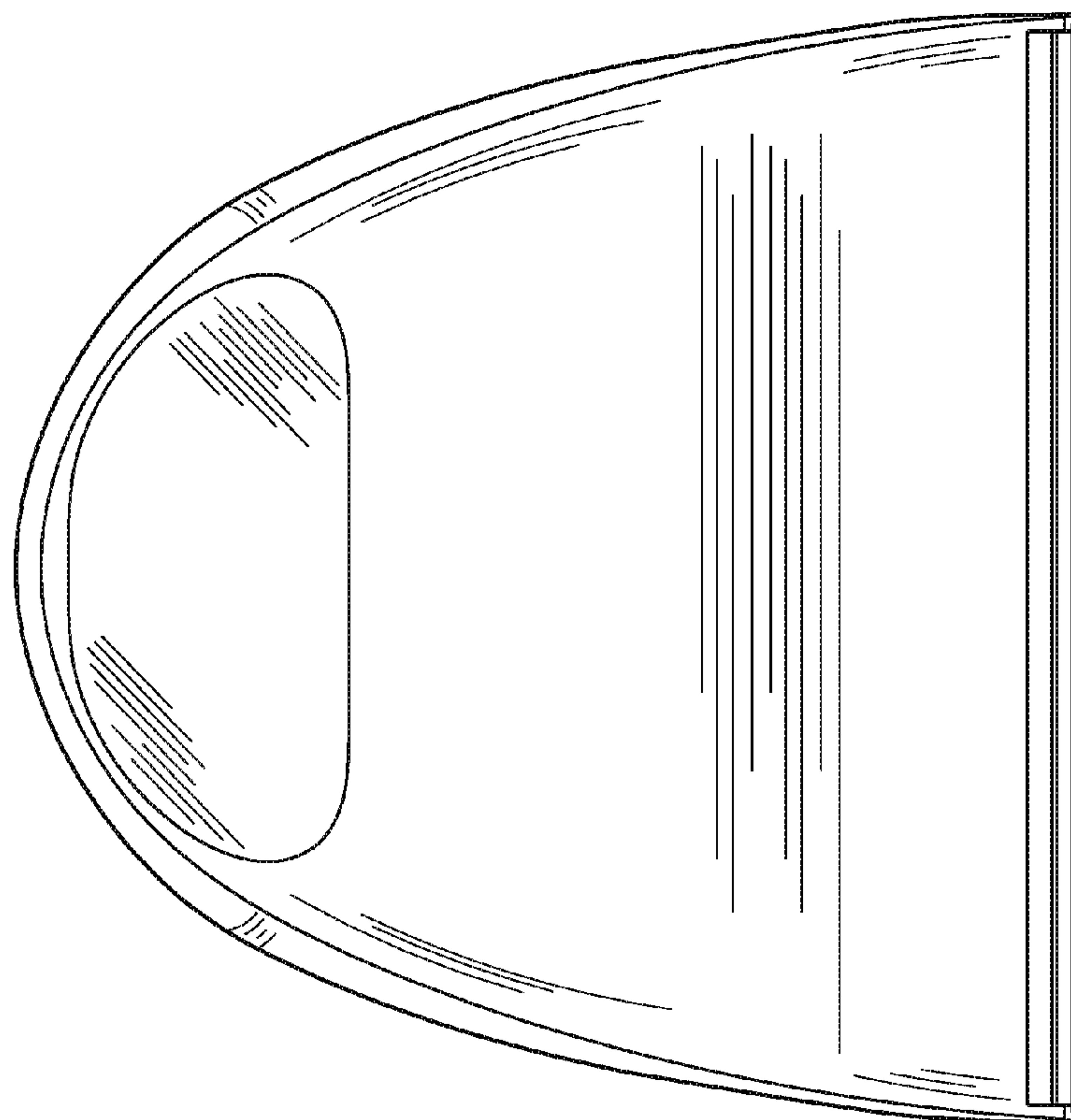


FIG.4

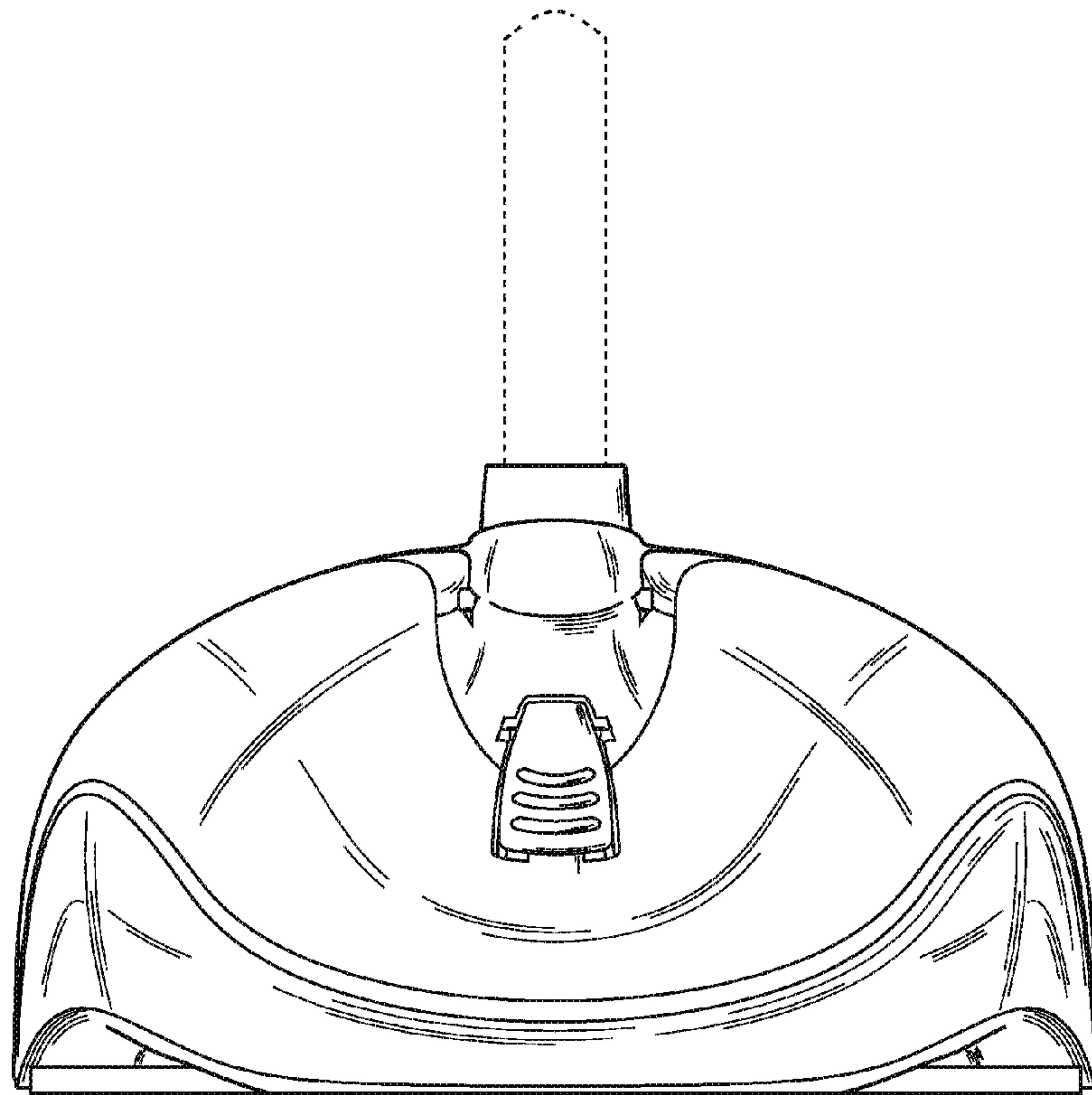


FIG. 5

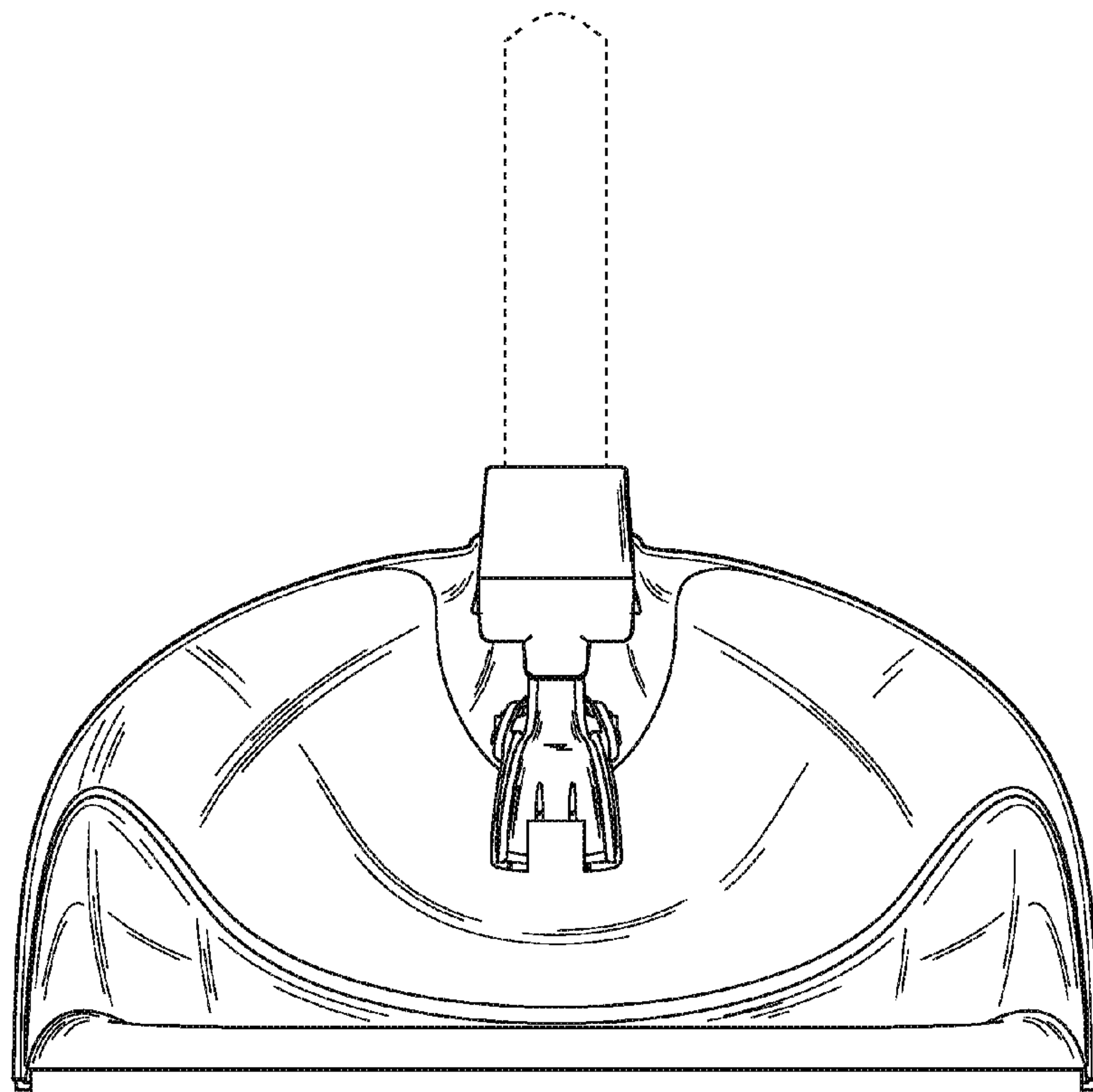


FIG. 6



FIG.7

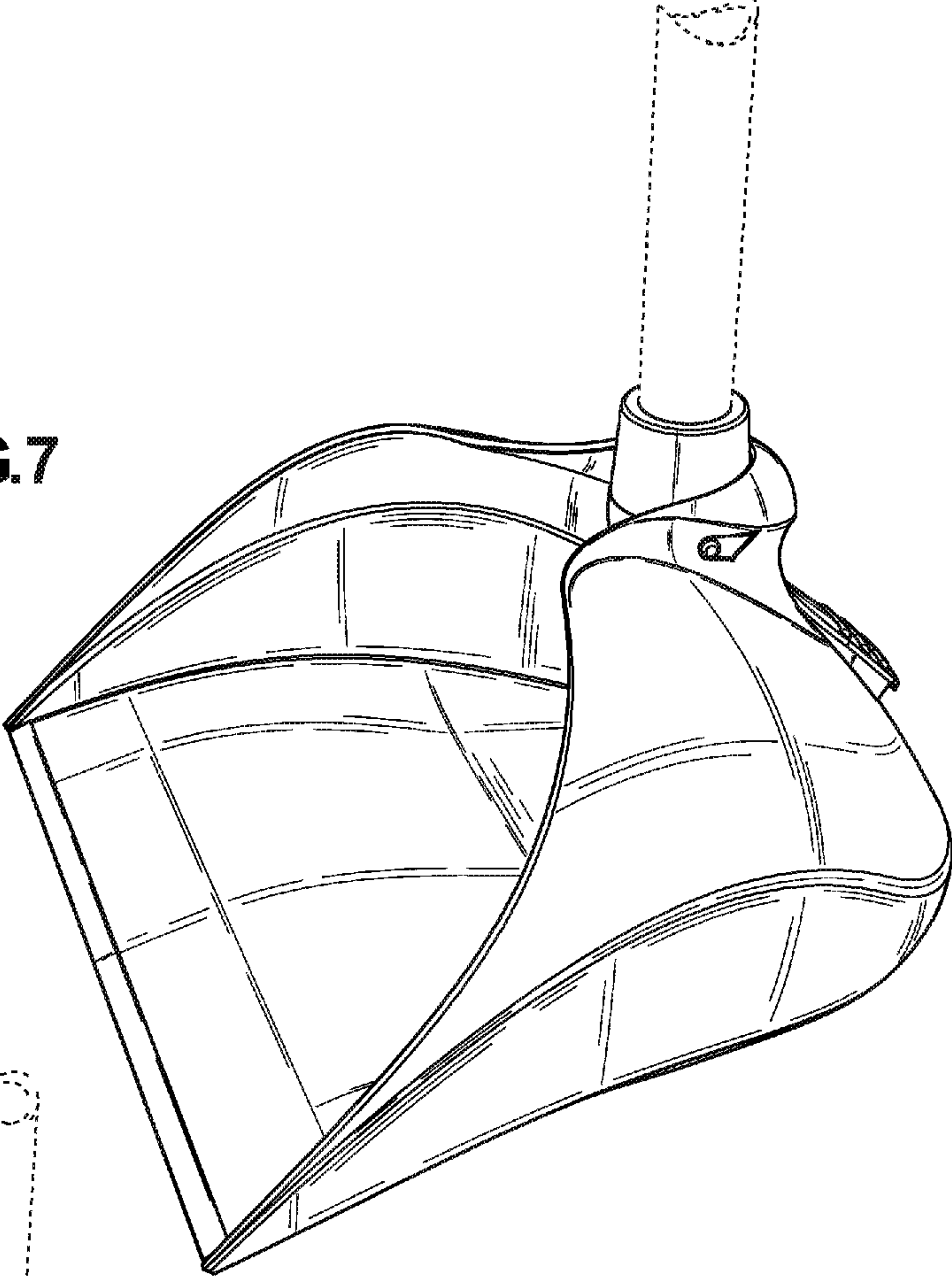


FIG.8

