



US00D594607S

(12) **United States Design Patent**
Farone et al.

(10) **Patent No.:** **US D594,607 S**
(45) **Date of Patent:** **** Jun. 16, 2009**

(54) **HAND HELD VACUUM CLEANER AND BASE**

Two page Dirt Devil printout, KONE by Karim Rashid, printed from www.dirtdevil.com website Apr. 24, 2007.

(75) Inventors: **Richard Farone**, Willoughby, OH (US);
Erin Q. Riddell, Bay Village, OH (US)

* cited by examiner

(73) Assignee: **Guardian Technologies LLC**, Mentor, OH (US)

Primary Examiner—Ruth McInroy
(74) *Attorney, Agent, or Firm*—Calfee, Halter & Griswold LLP

(**) Term: **14 Years**

(21) Appl. No.: **29/271,470**

(57) **CLAIM**

(22) Filed: **Jan. 19, 2007**

The ornamental design for a hand held vacuum cleaner and base, as shown and described.

(51) **LOC (9) Cl.** **15-05**

(52) **U.S. Cl.** **D32/18**

(58) **Field of Classification Search** D32/17-18,
D32/21-22, 31-33; 15/320-321, 329, 344,
15/347, 350-353, 331, 338, 412, 415.1-422,
15/422.1; 55/429, DIG. 3

See application file for complete search history.

DESCRIPTION

(56) **References Cited**

U.S. PATENT DOCUMENTS

D301,783 S *	6/1989	Adams	D32/18
D303,856 S *	10/1989	Yuen	D32/18
D314,650 S *	2/1991	Pudwill	D32/18
D550,410 S *	9/2007	Khalil et al.	D32/18

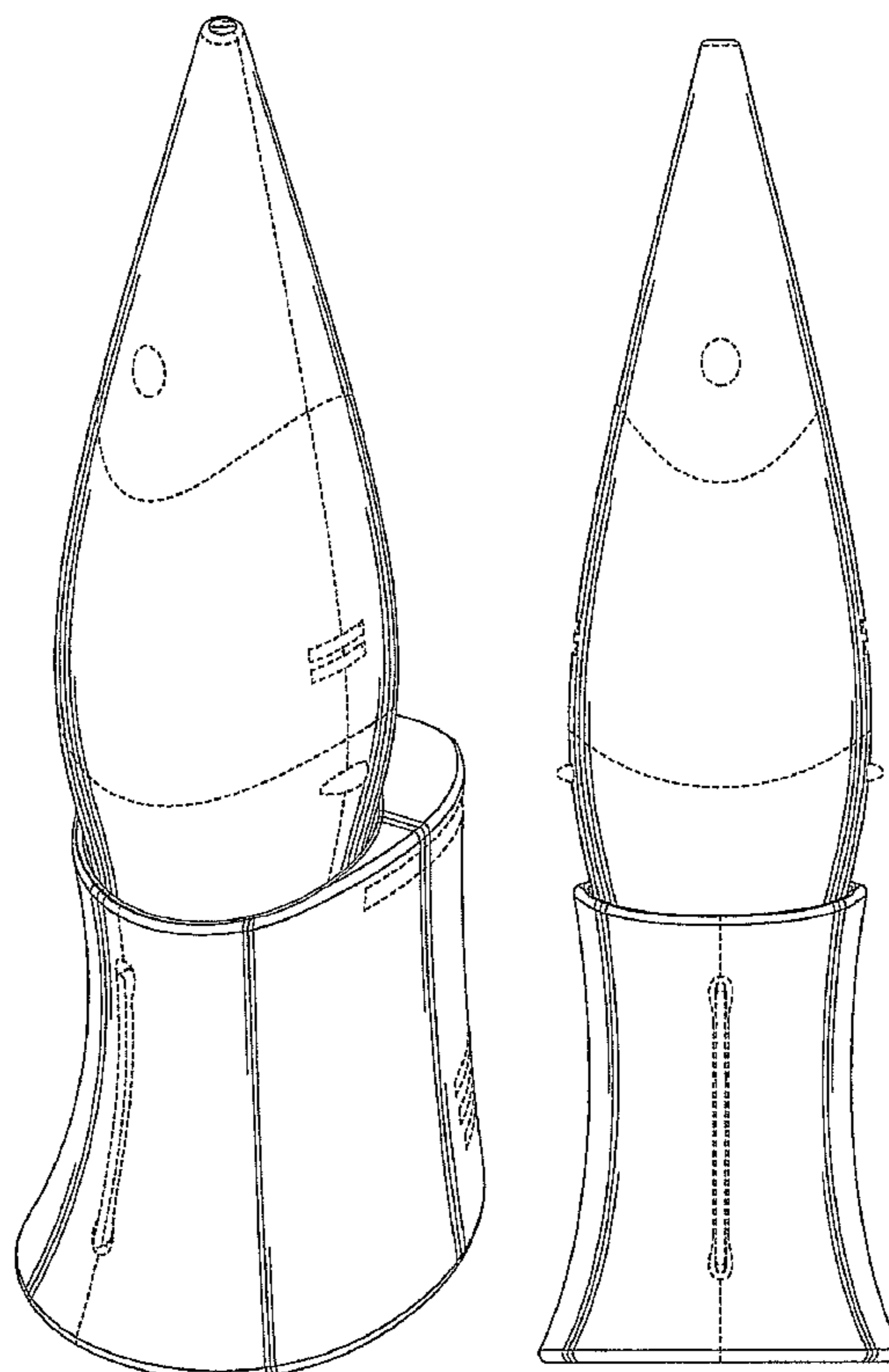
OTHER PUBLICATIONS

KURV Cordless Hand Vac (champagne), <<http://topbrandsincen-tives.com/tbsearchresults.asp>>. Retrieved from the Internet on Dec. 29, 2007.*

FIG. 1 is a perspective view of a hand held vacuum cleaner and base showing our new design;
FIG. 2 is a front elevational view thereof;
FIG. 3 is a right-side elevational view thereof;
FIG. 4 is a rear elevational view thereof;
FIG. 5 is a left-side elevational view thereof;
FIG. 6 is a top plan view thereof; and,
FIG. 7 is a bottom plan view thereof.

The portions of the Figures shown in broken lines are not part of the claimed design and are for illustration only.

1 Claim, 4 Drawing Sheets



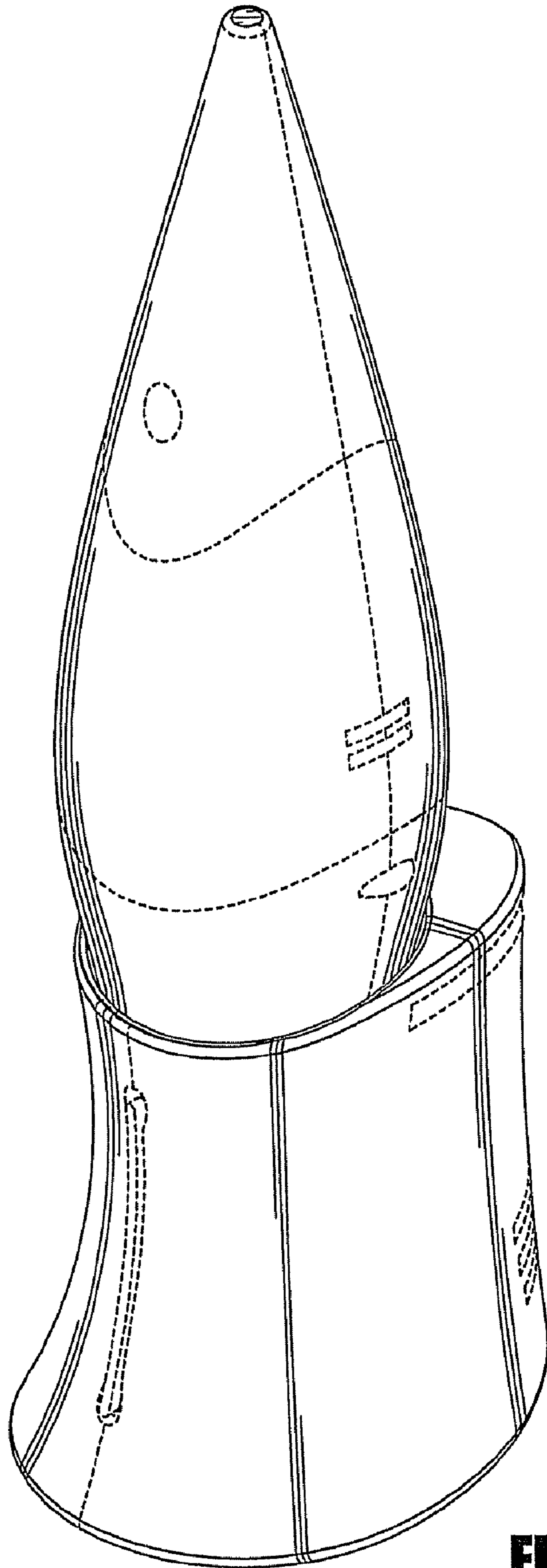


FIG. 1

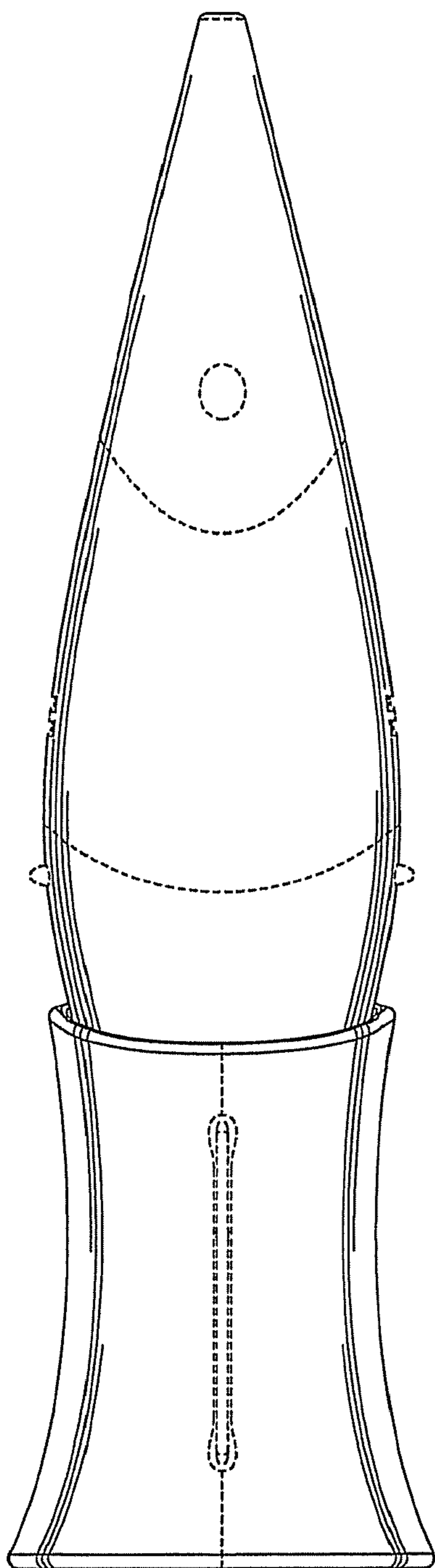


FIG. 2

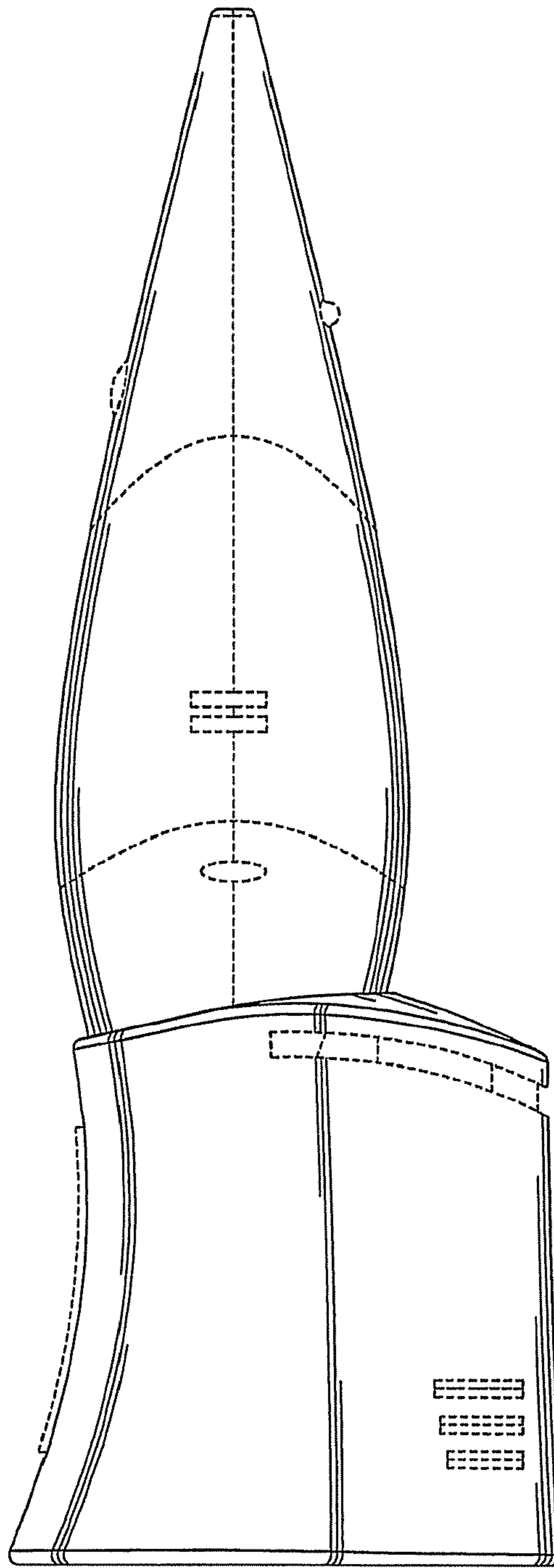


FIG. 3

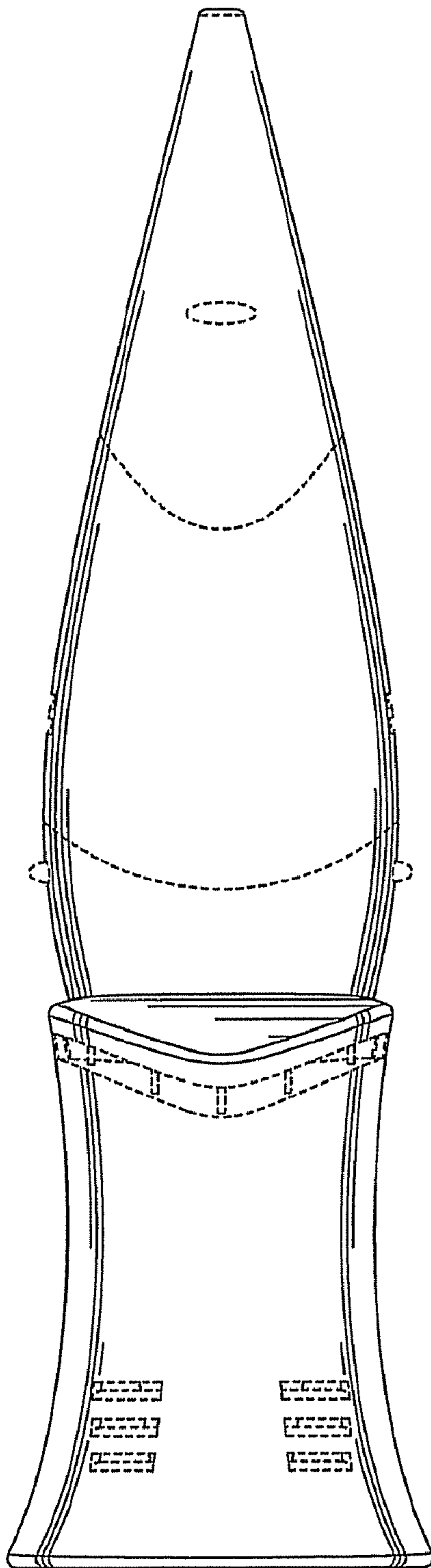


FIG. 4

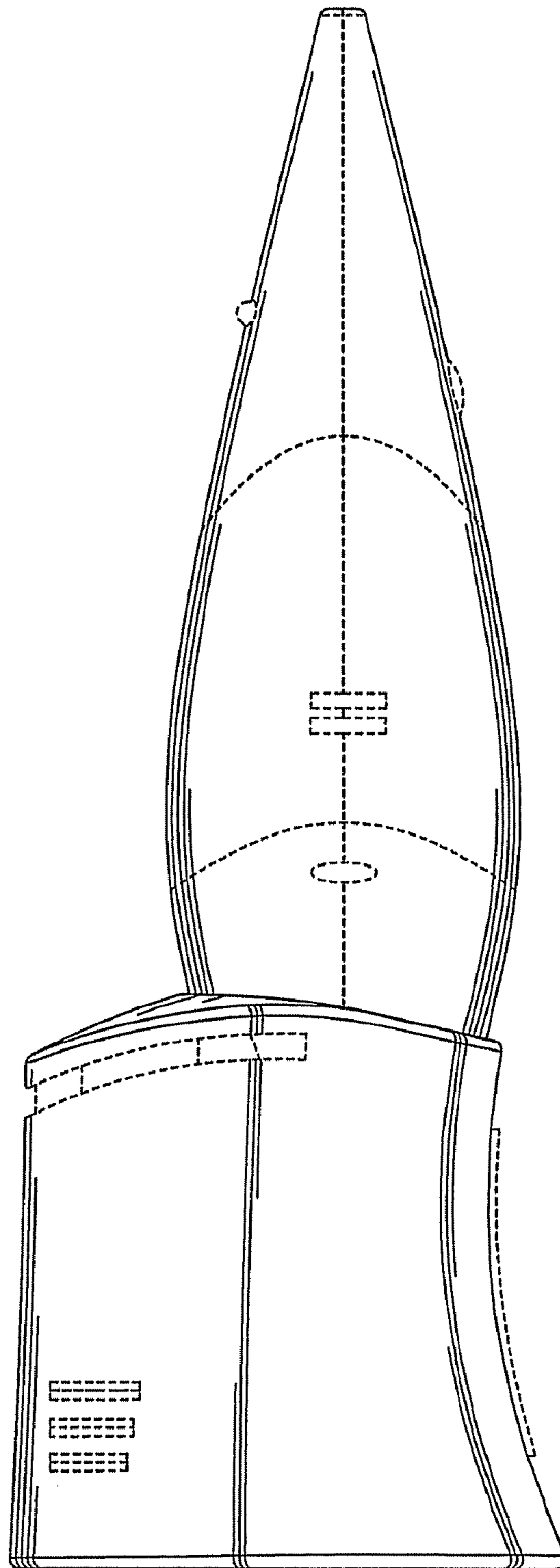


FIG. 5

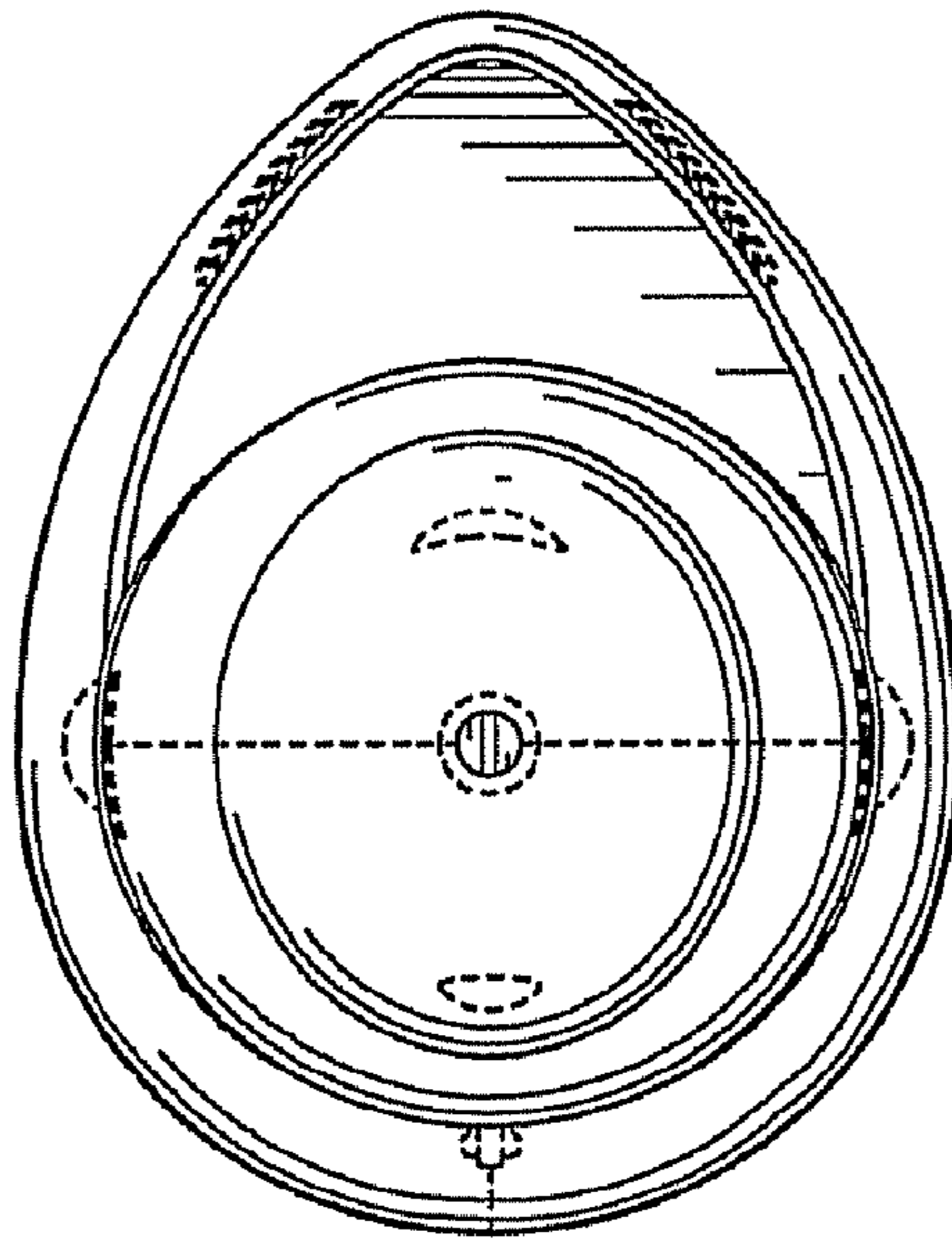


FIG. 6

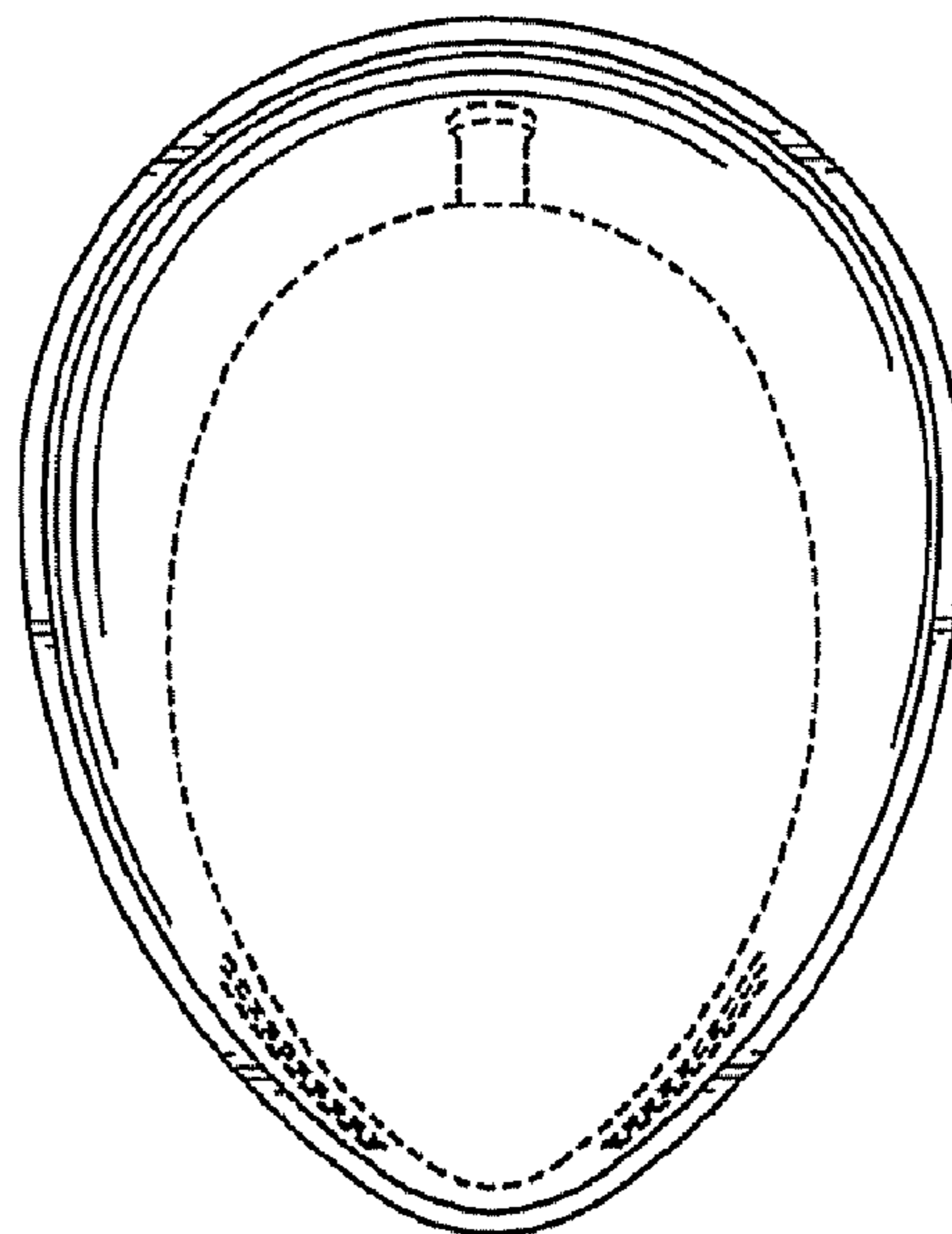


FIG. 7