



US00D594606S

(12) **United States Design Patent**
DeSeguirant, Jr.

(10) **Patent No.:** **US D594,606 S**
(45) **Date of Patent:** **** Jun. 16, 2009**

(54) **PET TOY**

(75) **Inventor:** **Lawrence Henry DeSeguirant, Jr.,**
Castro Valley, CA (US)

(73) **Assignee:** **Petlane, Inc.,** Castro Valley, CA (US)

(**) **Term:** **14 Years**

(21) **Appl. No.:** **29/280,854**

(22) **Filed:** **Jun. 8, 2007**

(51) **LOC (9) Cl.** **30-99**

(52) **U.S. Cl.** **D30/160**

(58) **Field of Classification Search** D30/119,
D30/160; D21/406, 408, 479, 713, 498;
D24/194-195; 119/702, 706-711; 446/168,
446/170, 227, 122; 473/594, 609; 601/118,
601/131

See application file for complete search history.

(56) **References Cited**

U.S. PATENT DOCUMENTS

2,211,330	A *	8/1940	Hochberg	D21/713
D287,988	S *	1/1987	Billingshurst	D21/713
D314,455	S *	2/1991	Morton	D30/160
D315,186	S *	3/1991	Peterson	D30/160
D459,404	S *	6/2002	Perez	D21/713
6,550,427	B2 *	4/2003	Bonner	119/707
D477,441	S *	7/2003	Willinger et al.	D30/160
D489,494	S *	5/2004	Silverglate	D30/160
D497,191	S *	10/2004	Shore	D21/713
D514,263	S *	1/2006	Willinger	D30/160

2005/0015032 A1* 1/2005 Stein 601/131

* cited by examiner

Primary Examiner—Cathy Anne MacCormac

(74) *Attorney, Agent, or Firm*—Steven R. Vosen

(57) **CLAIM**

I claim the ornamental design for a pet toy, as shown and described.

DESCRIPTION

FIG. 1 is a top, perspective view of a pet toy of the present invention;

FIG. 2 is a front elevation view of the toy of FIG. 1;

FIG. 3 is a back elevation view of the toy of FIG. 1;

FIG. 4 is an elevation view of the right side of the toy of FIG. 1;

FIG. 5 is an elevation view of the left side of the toy FIG. 1;

FIG. 6 is a top plan view of the toy of FIG. 1;

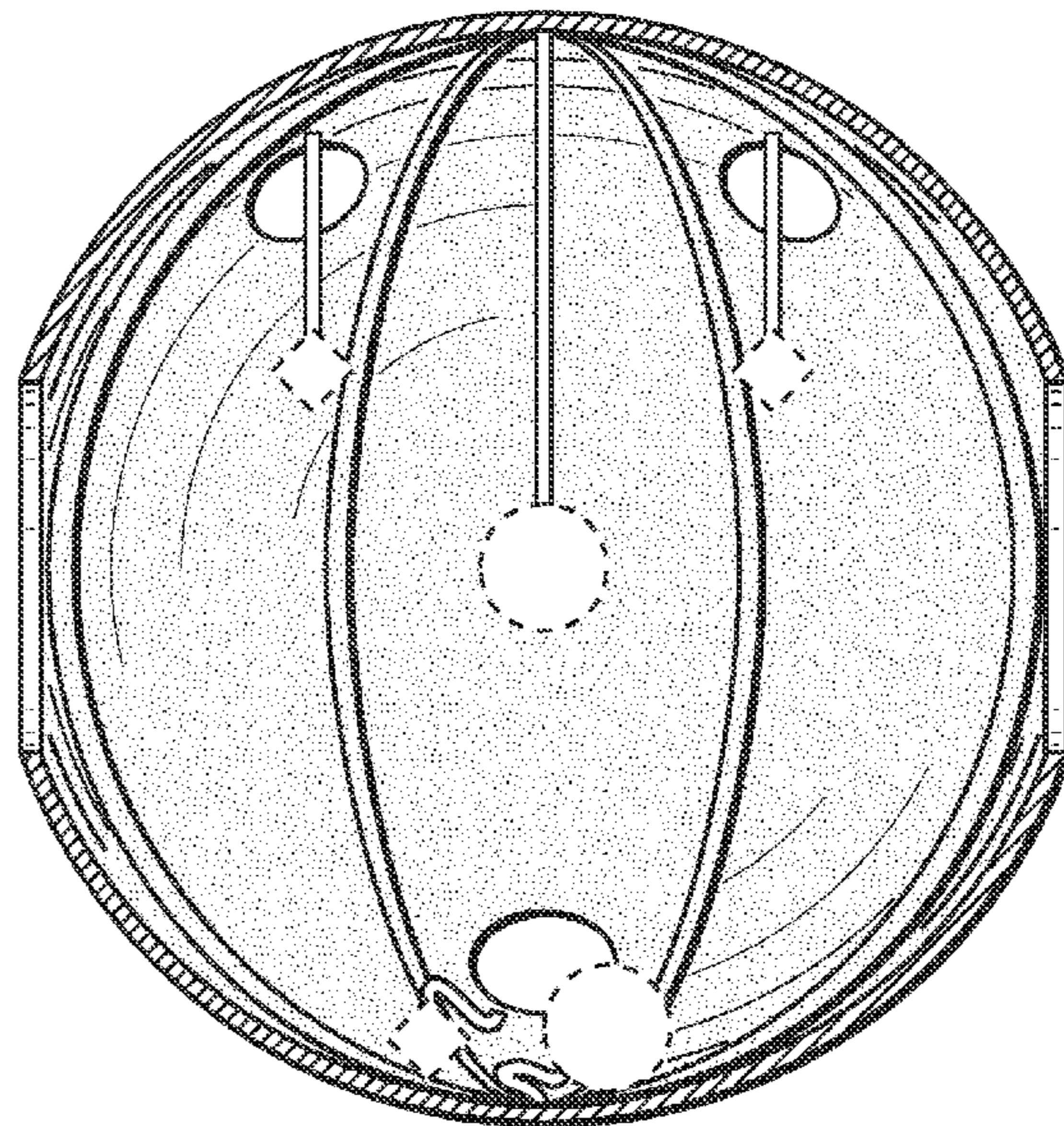
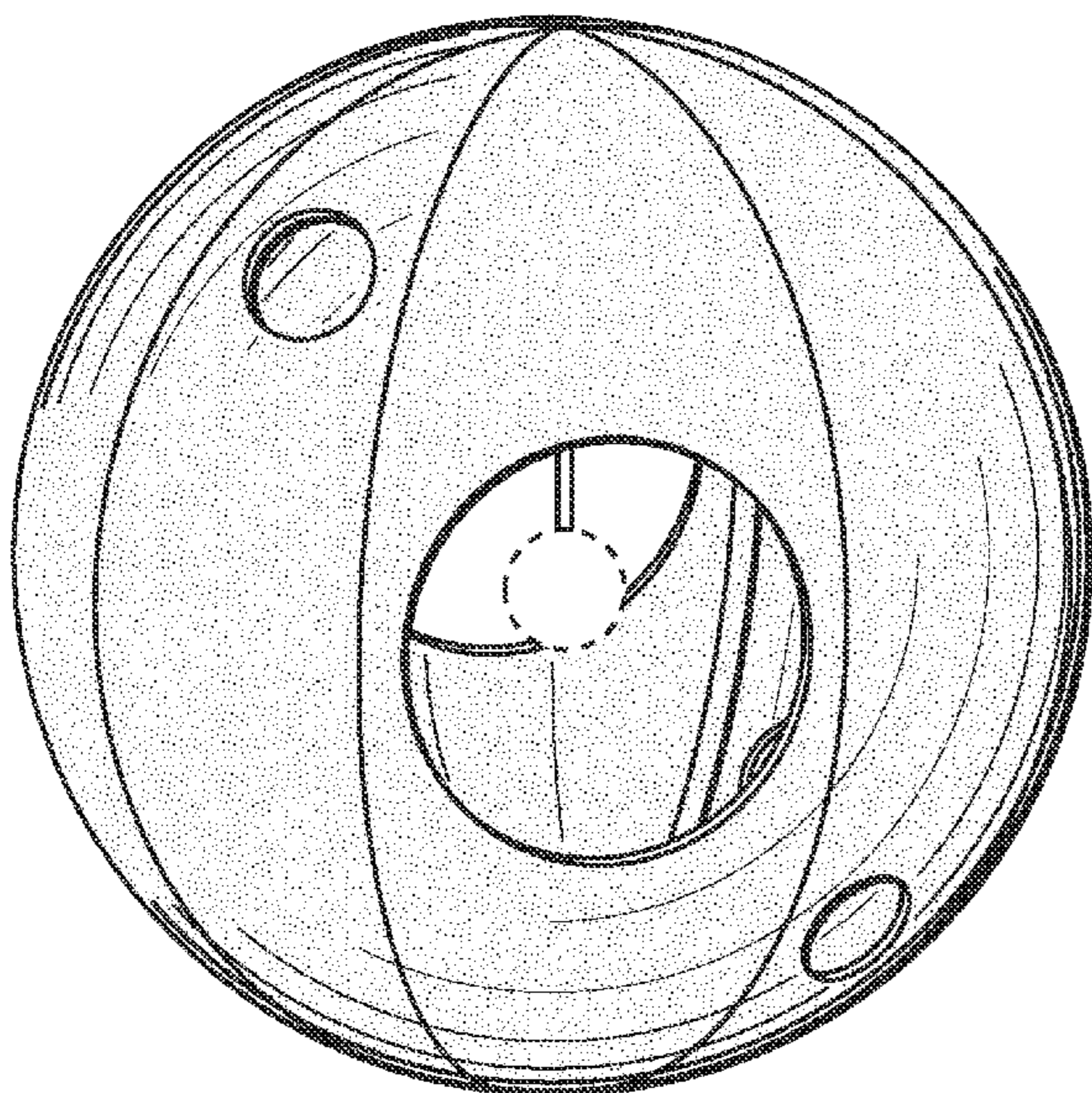
FIG. 7 is a bottom plan view of the toy FIG. 1;

FIG. 8 is a sectional view taken on line 8—8 on FIG. 2, showing two tethers dangling from the ball top and several tethers on the ball bottom; and,

FIG. 9 is a sectional view taken on line 8—8 on FIG. 2, showing several tethers dangling from the ball top and several tethers on the ball bottom.

The broken lines are for purposes of illustration only and form no part of the claimed design.

1 Claim, 5 Drawing Sheets



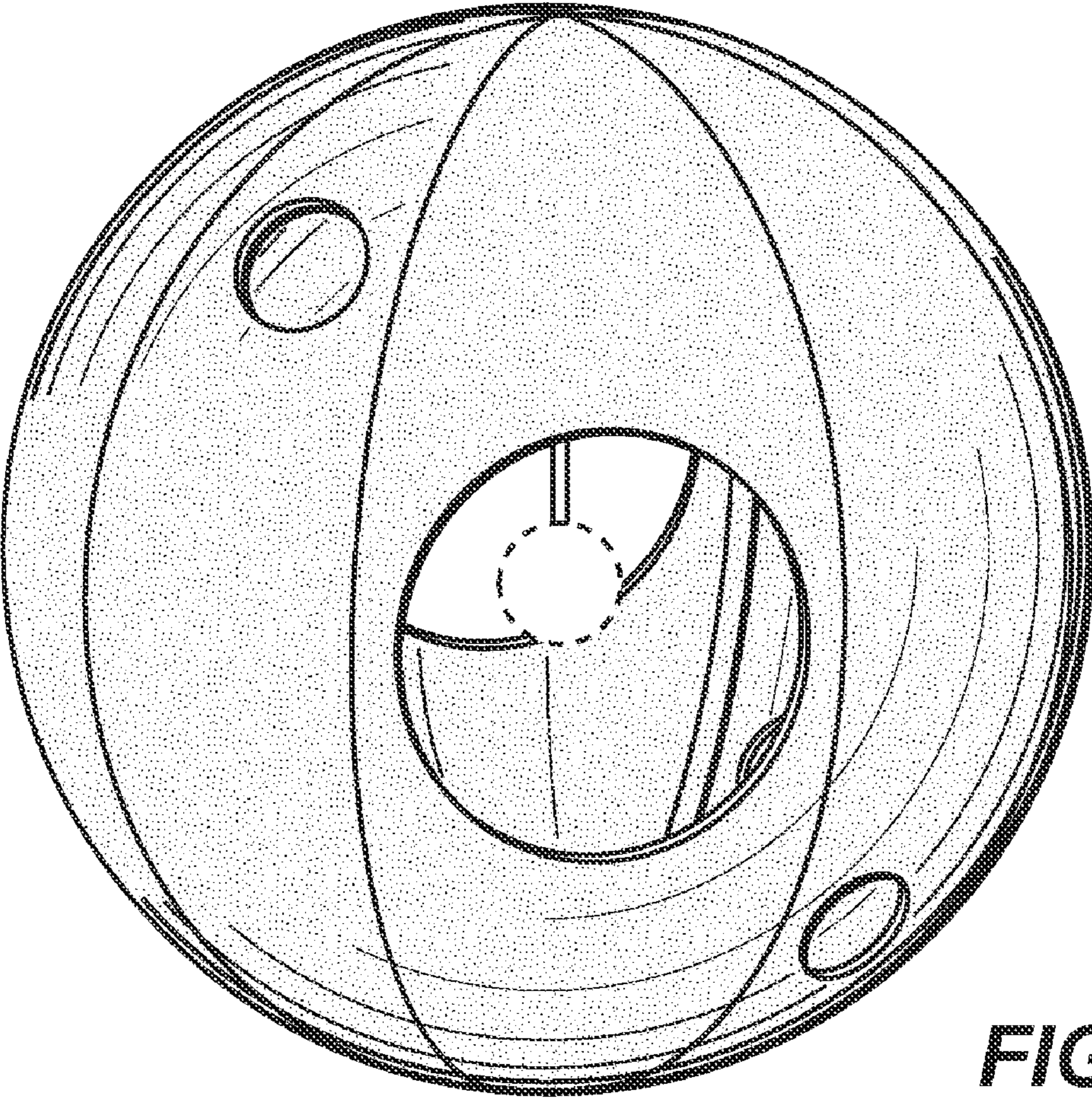


FIG. 1

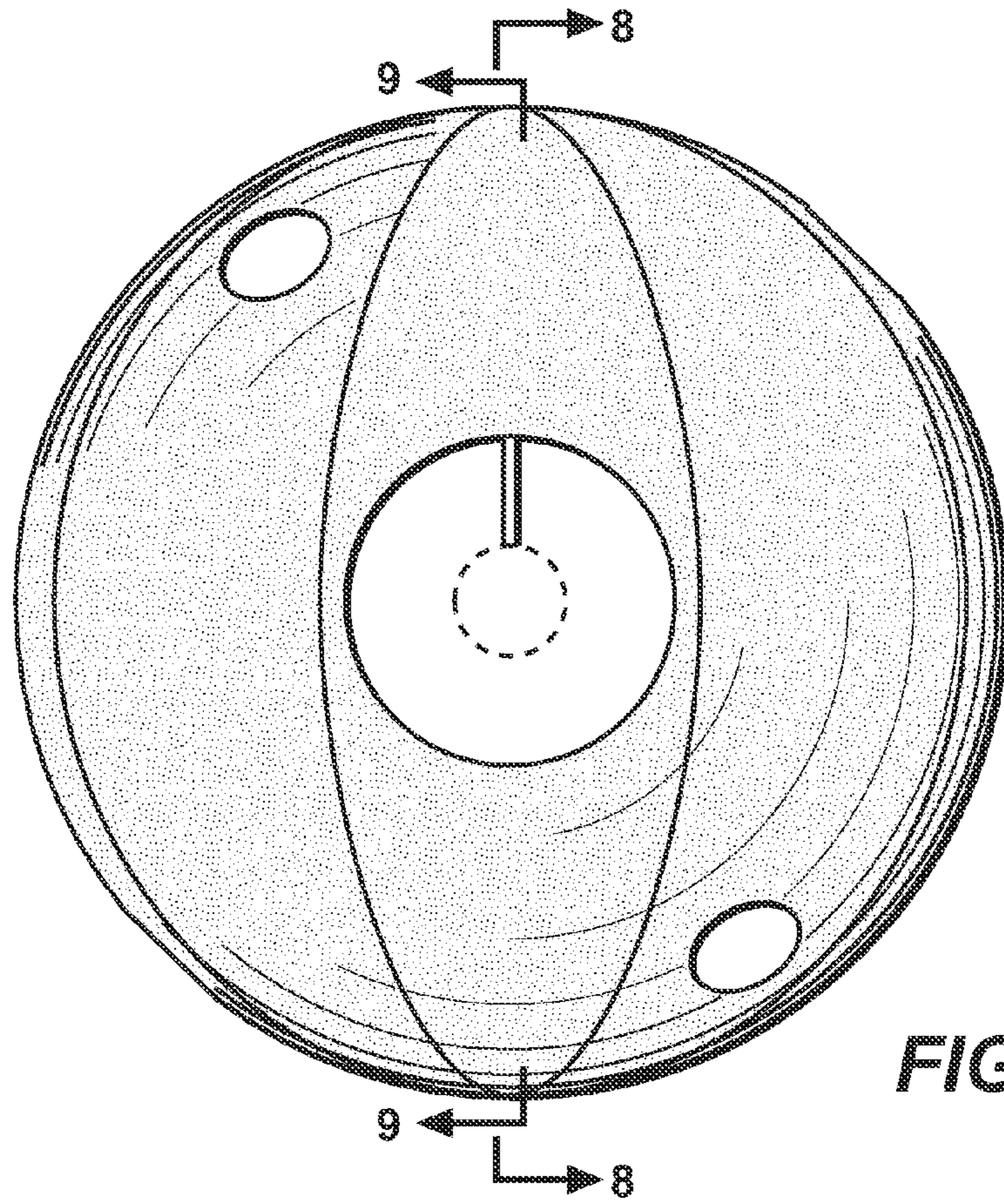


FIG. 2

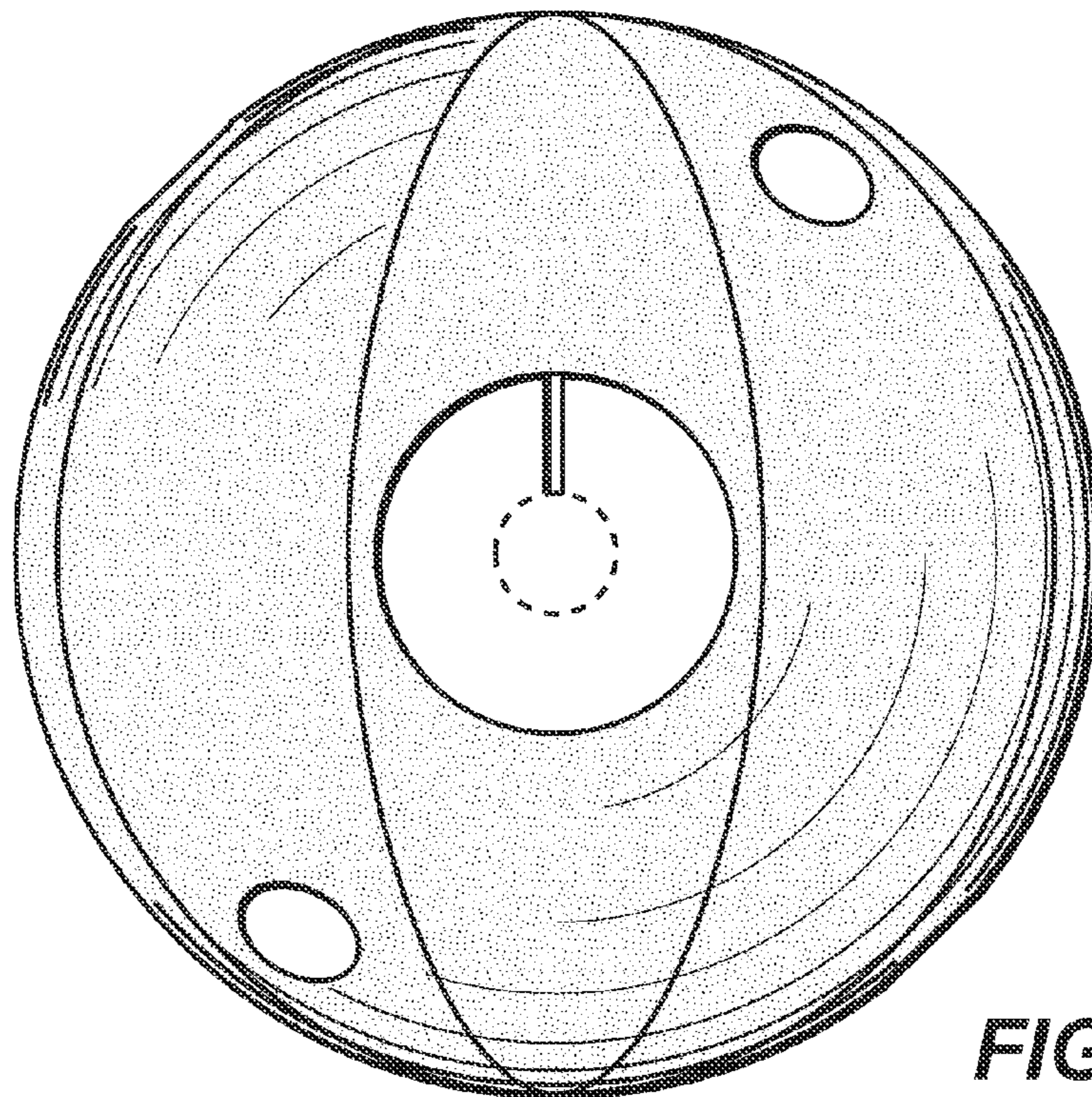


FIG. 3

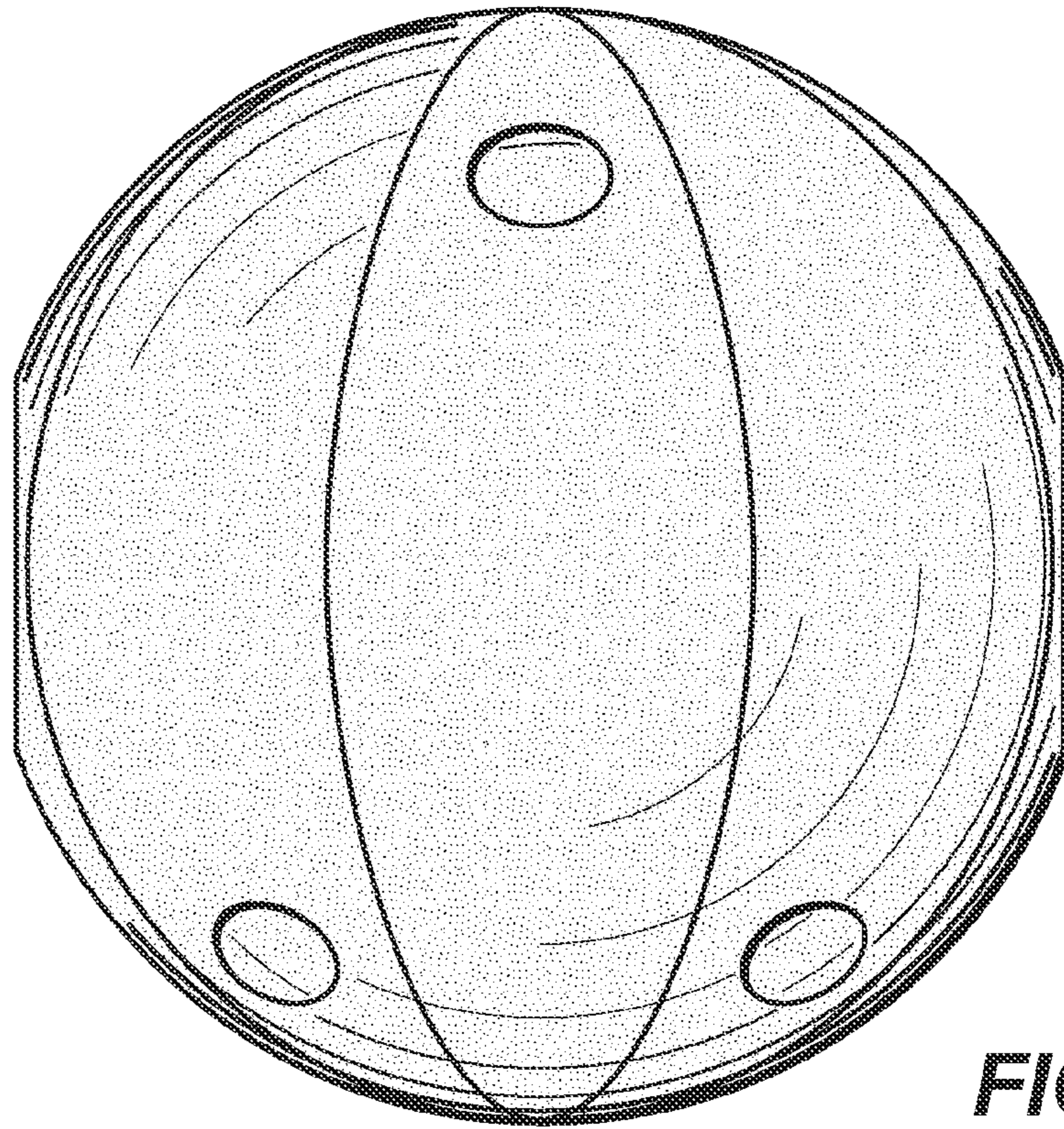


FIG. 4

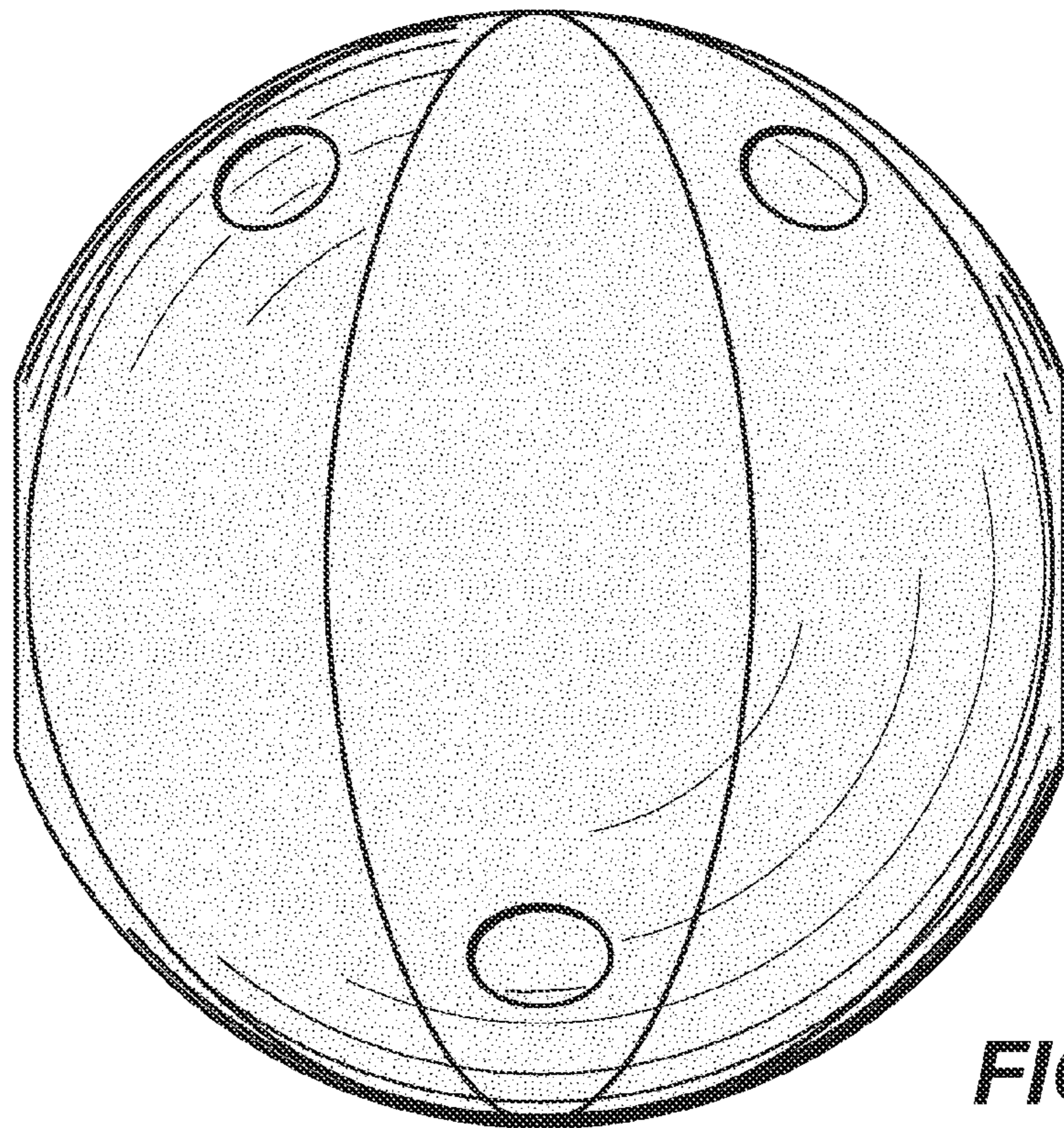


FIG. 5

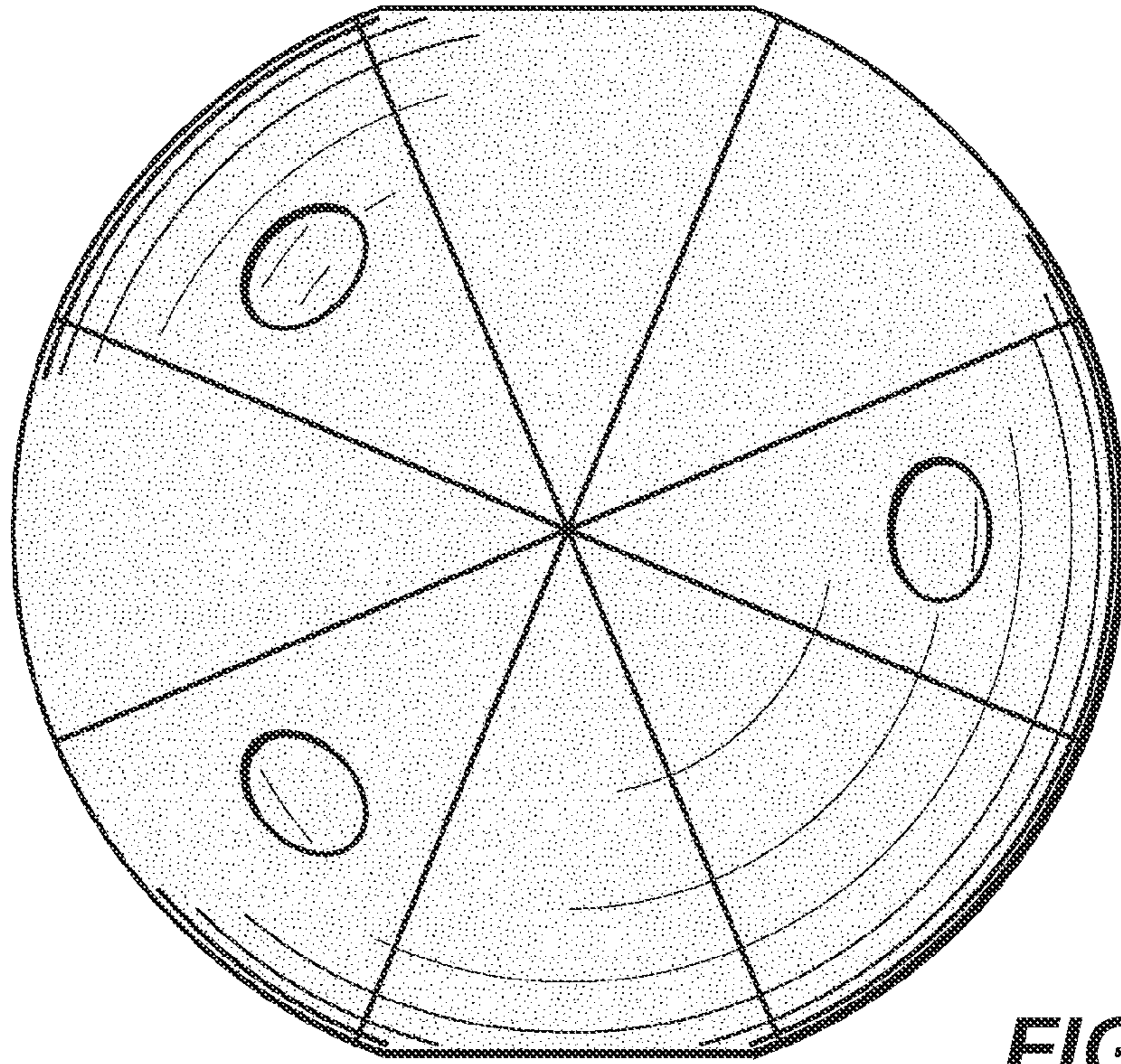


FIG. 6

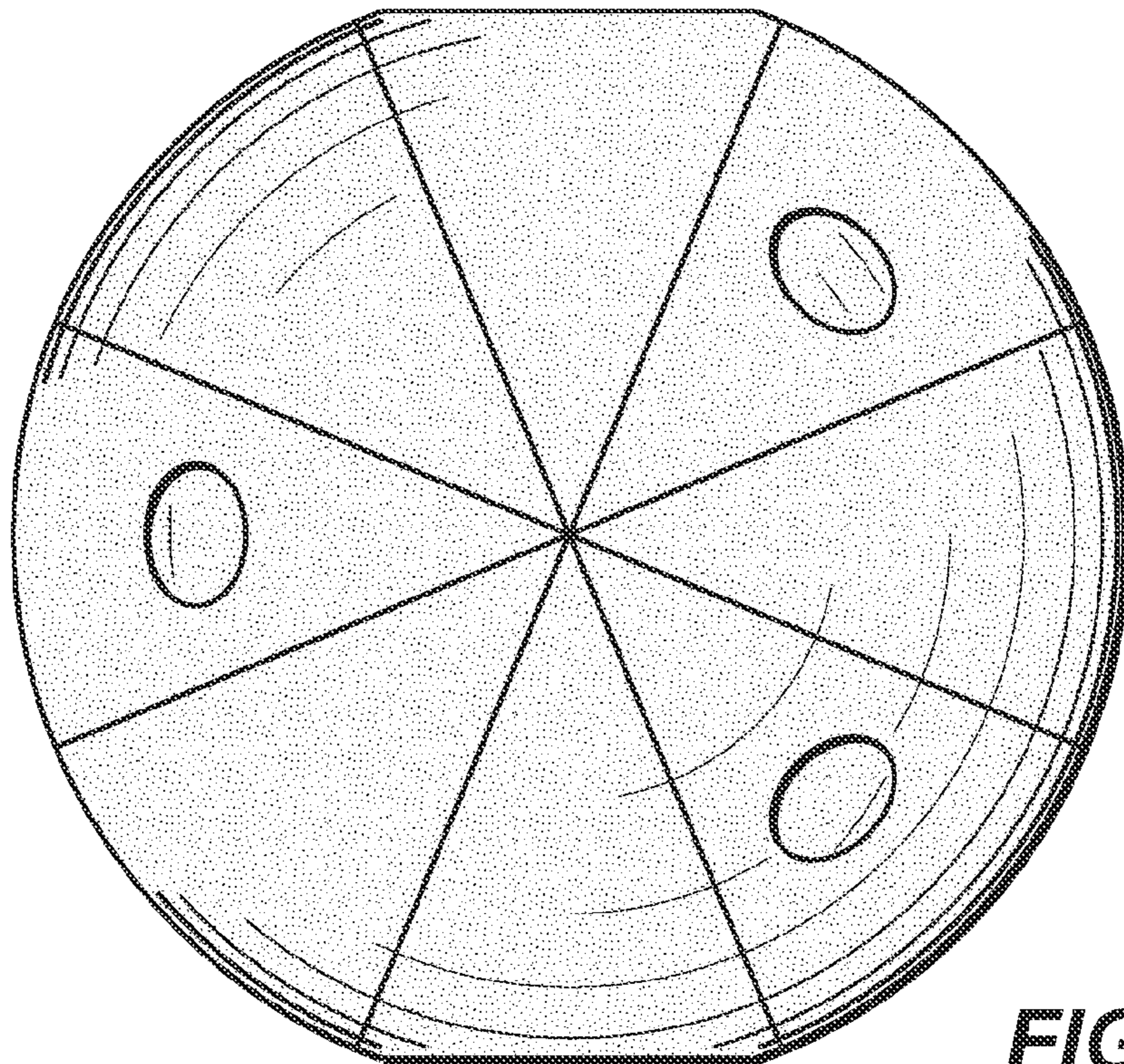


FIG. 7

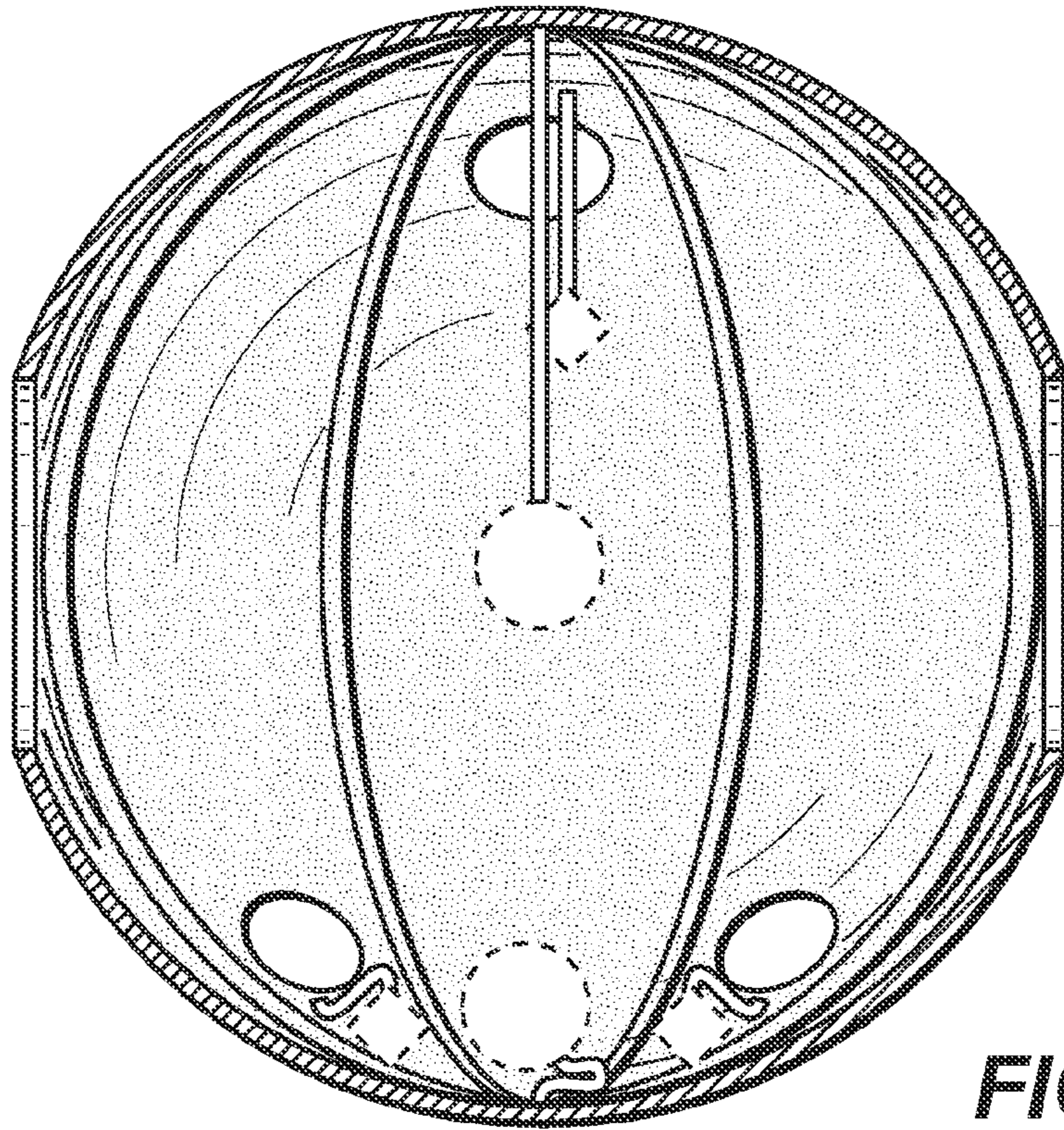


FIG. 8

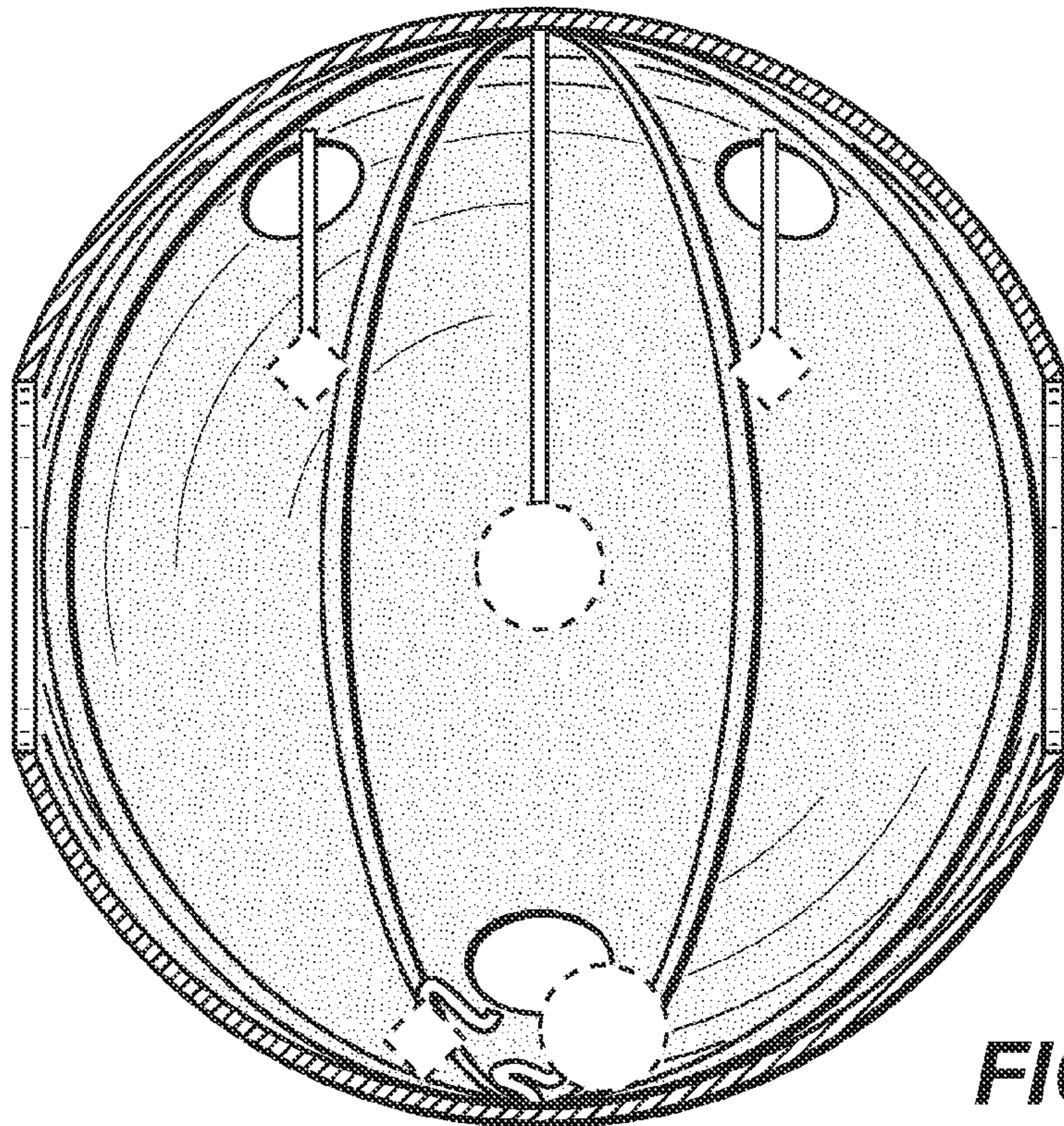


FIG. 9