



US00D594604S

(12) **United States Design Patent**
Roman

(10) **Patent No.:** **US D594,604 S**
(45) **Date of Patent:** **** Jun. 16, 2009**

(54) **RUGBY JUMPER LEG GLOVE**

(76) Inventor: **Kendyl A. Roman**, 730 Bantry Ct.,
Sunnyvale, CA (US) 94087

(**) Term: **14 Years**

(21) Appl. No.: **29/307,510**

(22) Filed: **Apr. 23, 2008**

(51) **LOC (9) Cl.** **02-06**

(52) **U.S. Cl.** **D29/120.1**

(58) **Field of Classification Search** D2/610,
D2/612, 614–623, 265; D29/113, 116.2,
D29/117.1–119, 120.1, 123; 2/16, 159, 161.1–161.8,
2/162, 198, 170, 455, 908, 917; D24/190;
D28/63; D32/40, 42, 43, 41; D21/807, 682–684,
D21/800, 804, 727, 712, 724; D3/215, 224,
D3/226, 218; 224/219, 222, 267, 237; 40/586,
40/633; 15/104.94, 107, 227; D4/134; D20/33;
482/105–108

See application file for complete search history.

(56) **References Cited**

U.S. PATENT DOCUMENTS

D133,803 S *	9/1942	Wagner	D2/625
2,380,272 A *	7/1945	Sutter	450/106
D200,234 S *	2/1965	Frederick	D2/625
D533,803 S *	12/2006	Corso	D11/42

* cited by examiner

Primary Examiner—Raphael Barkai
Assistant Examiner—Randall H Gholson

(57) **CLAIM**

The ornamental design for a rugby jumper leg glove, as shown and described.

DESCRIPTION

This is related to U.S. Utility patent application 11/800,356 and U.S. Utility patent application 11/899,529.

FIG. 1 is a upward looking perspective view of a rugby jumper leg glove, showing my new design;

FIG. 2 is a back view thereof;

FIG. 3 is a front view thereof;

FIG. 4 is a left view thereof;

FIG. 5 is a right view thereof;

FIG. 6 is a top view thereof;

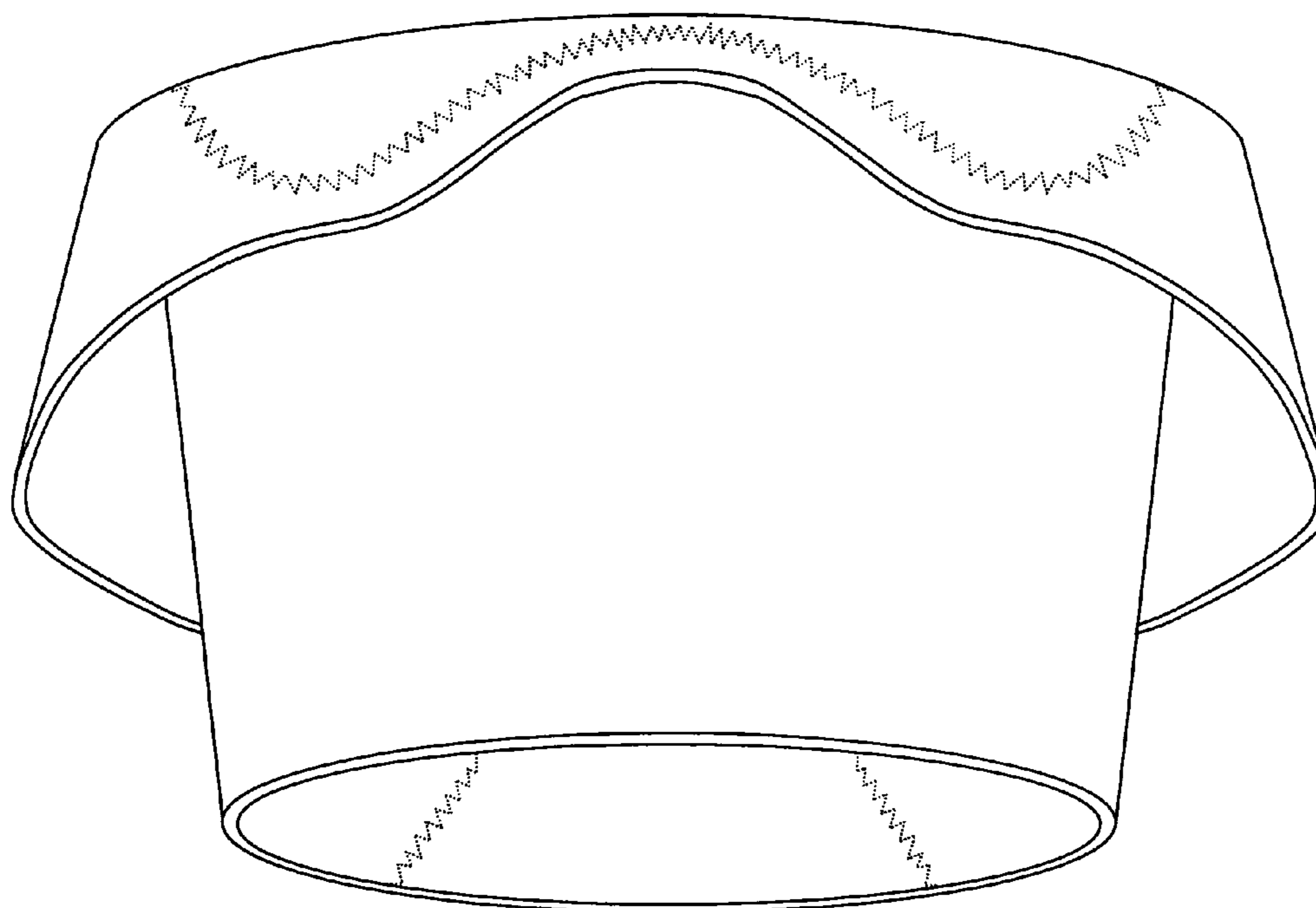
FIG. 7 is a bottom view thereof; and,

FIG. 8 is a two-dimensional pattern view of the material thereof.

My rugby jumper leg glove is characterized as a first substantially frusto-conical section, where a second partial conical section is integrally folded over from said first section forming two pockets which are held open by the arch-shaped attachment on the back (as shown, for example, in FIG. 2) and the mirrored question-mark-shaped attachment on the front (as shown, for example, in FIG. 3).

LegGlove™ is a trademark of LegHandles.com.

1 Claim, 5 Drawing Sheets



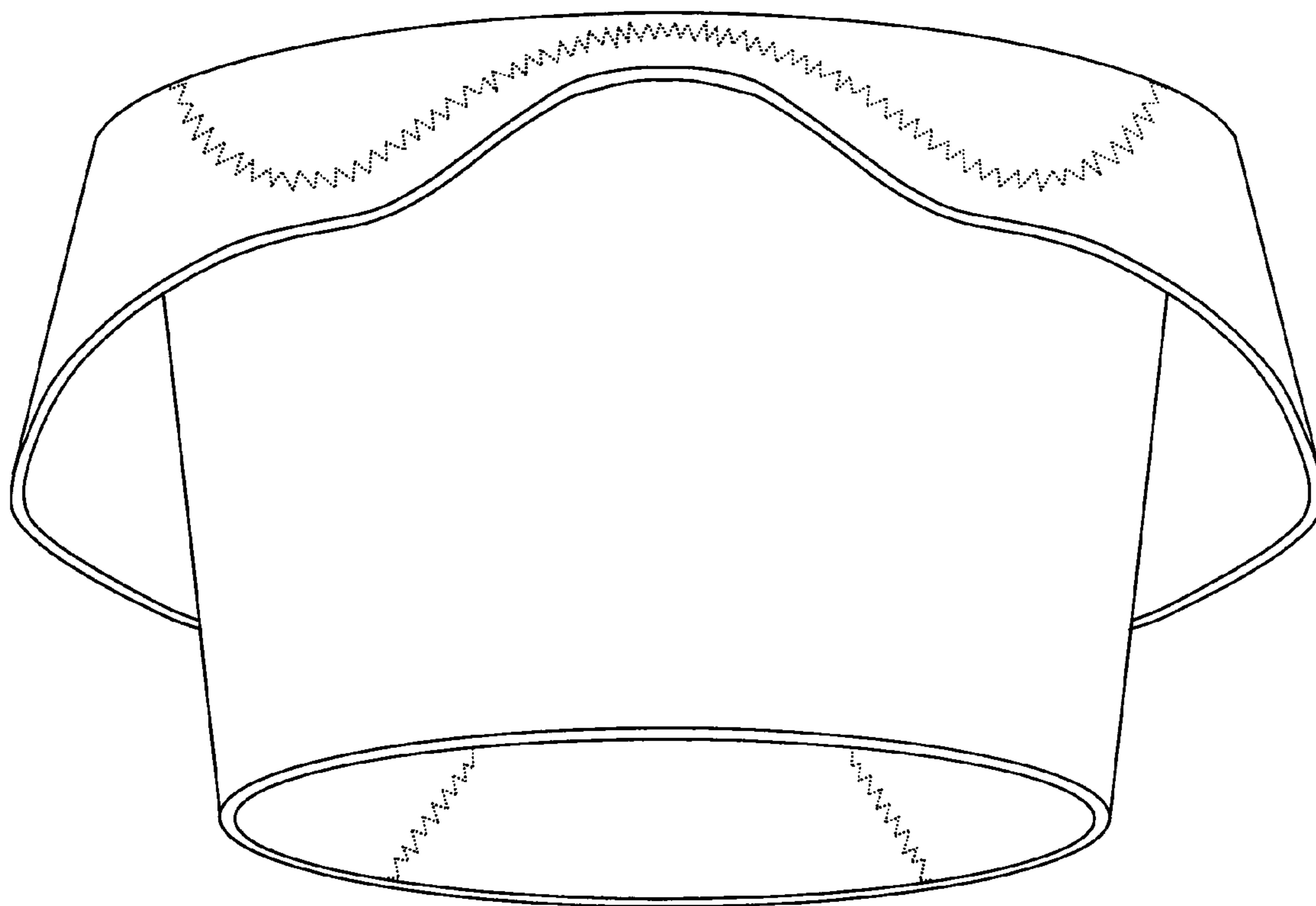


Fig. 1

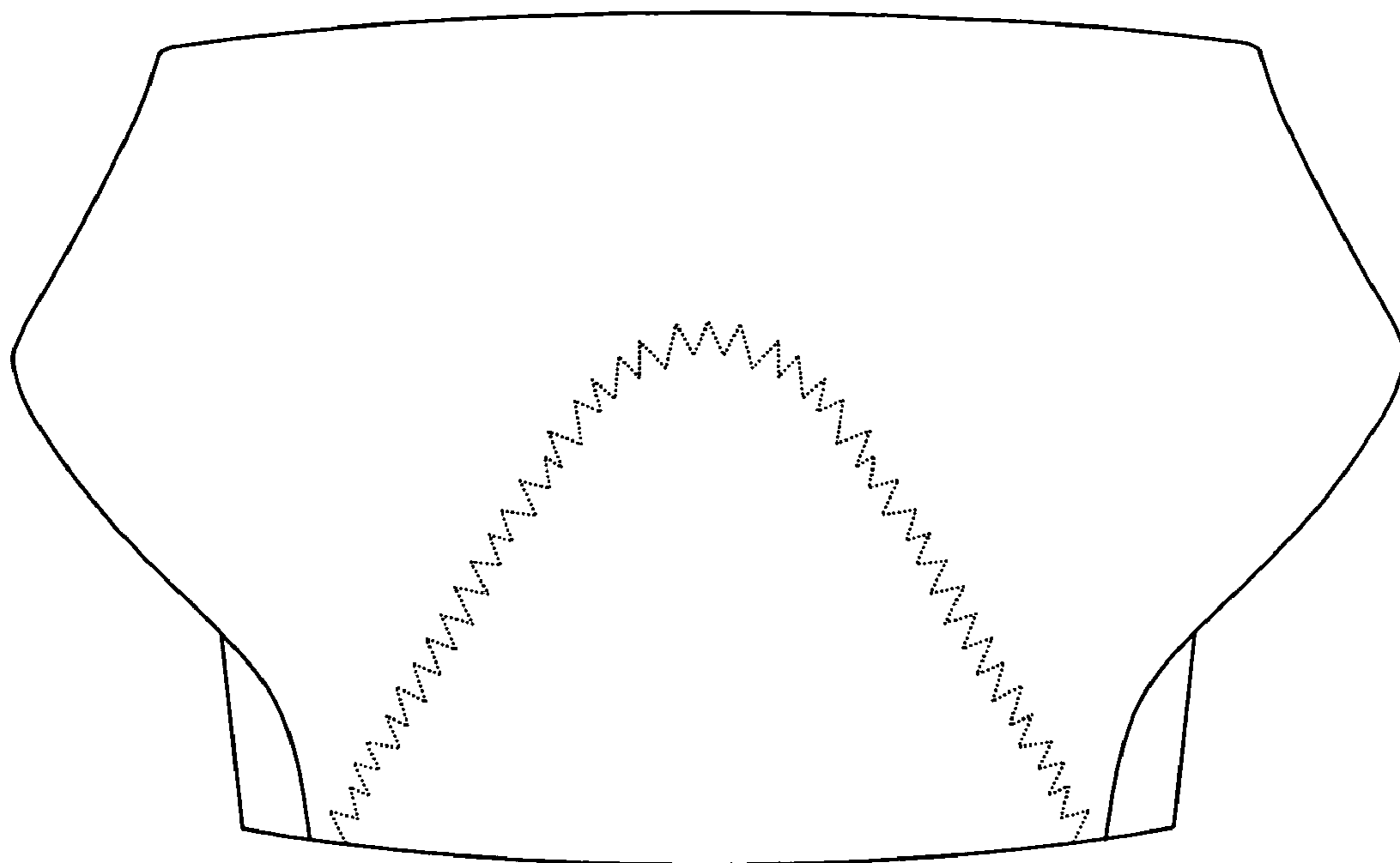


Fig. 2

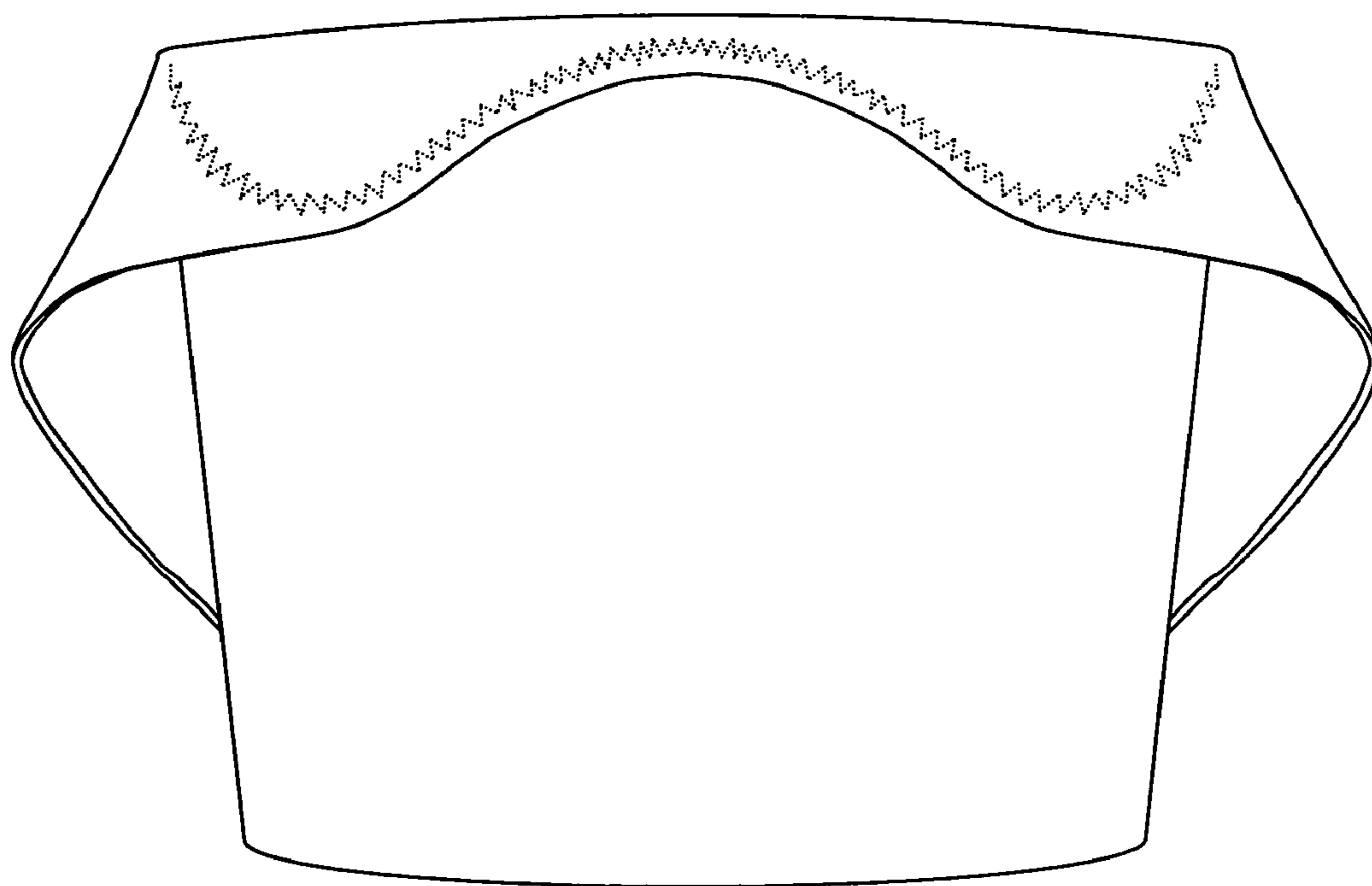


Fig. 3

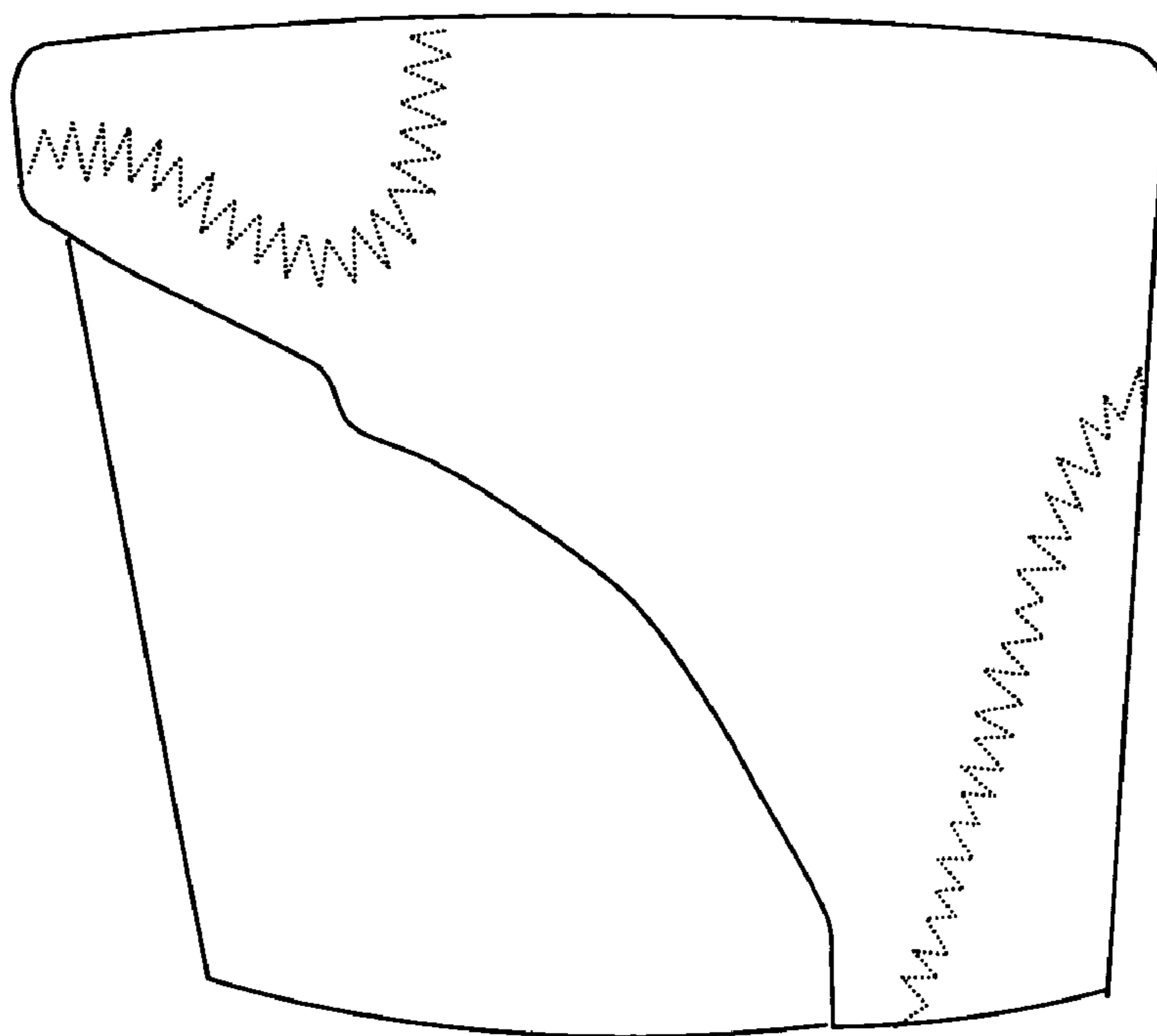


Fig. 4

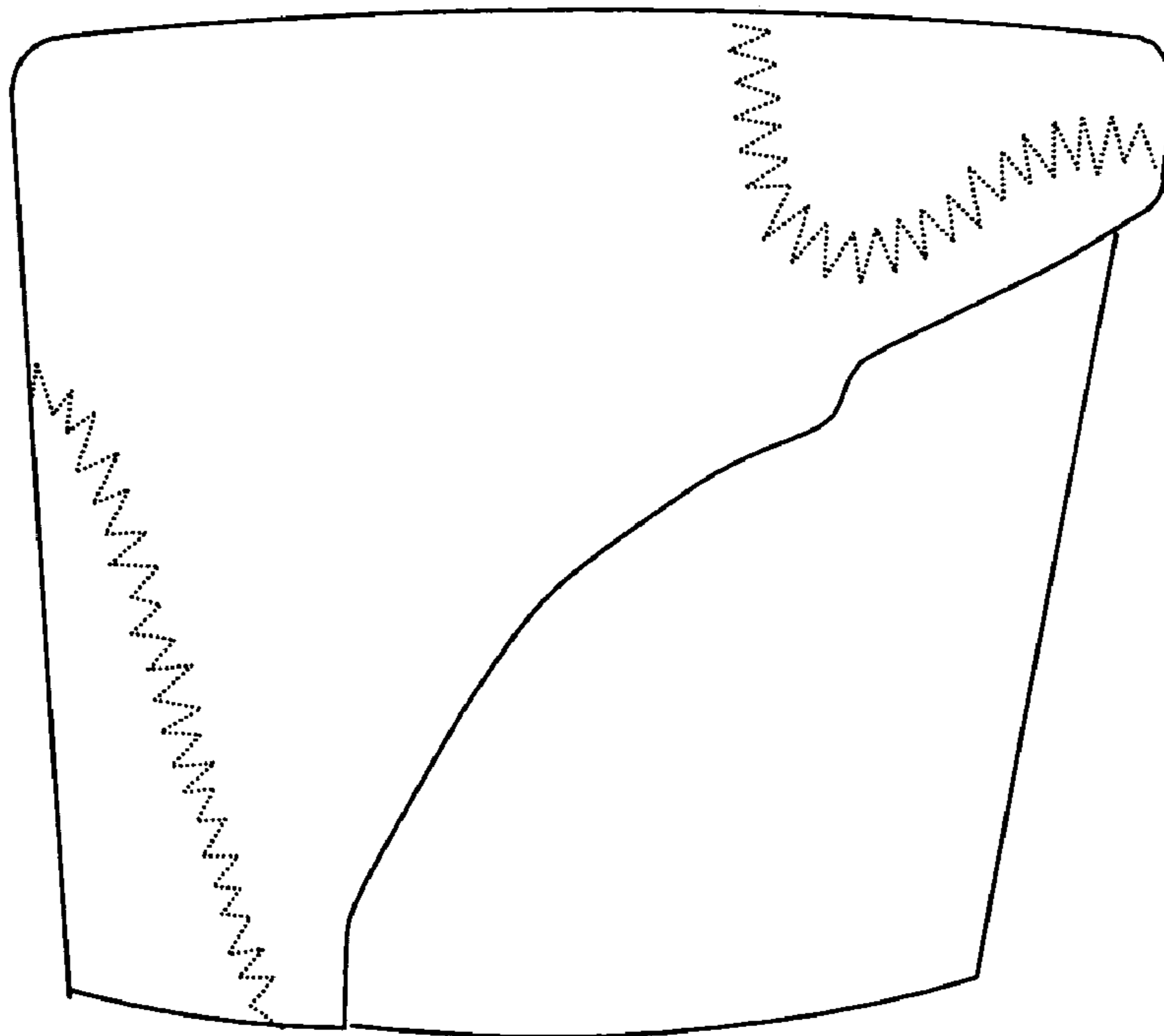


Fig. 5

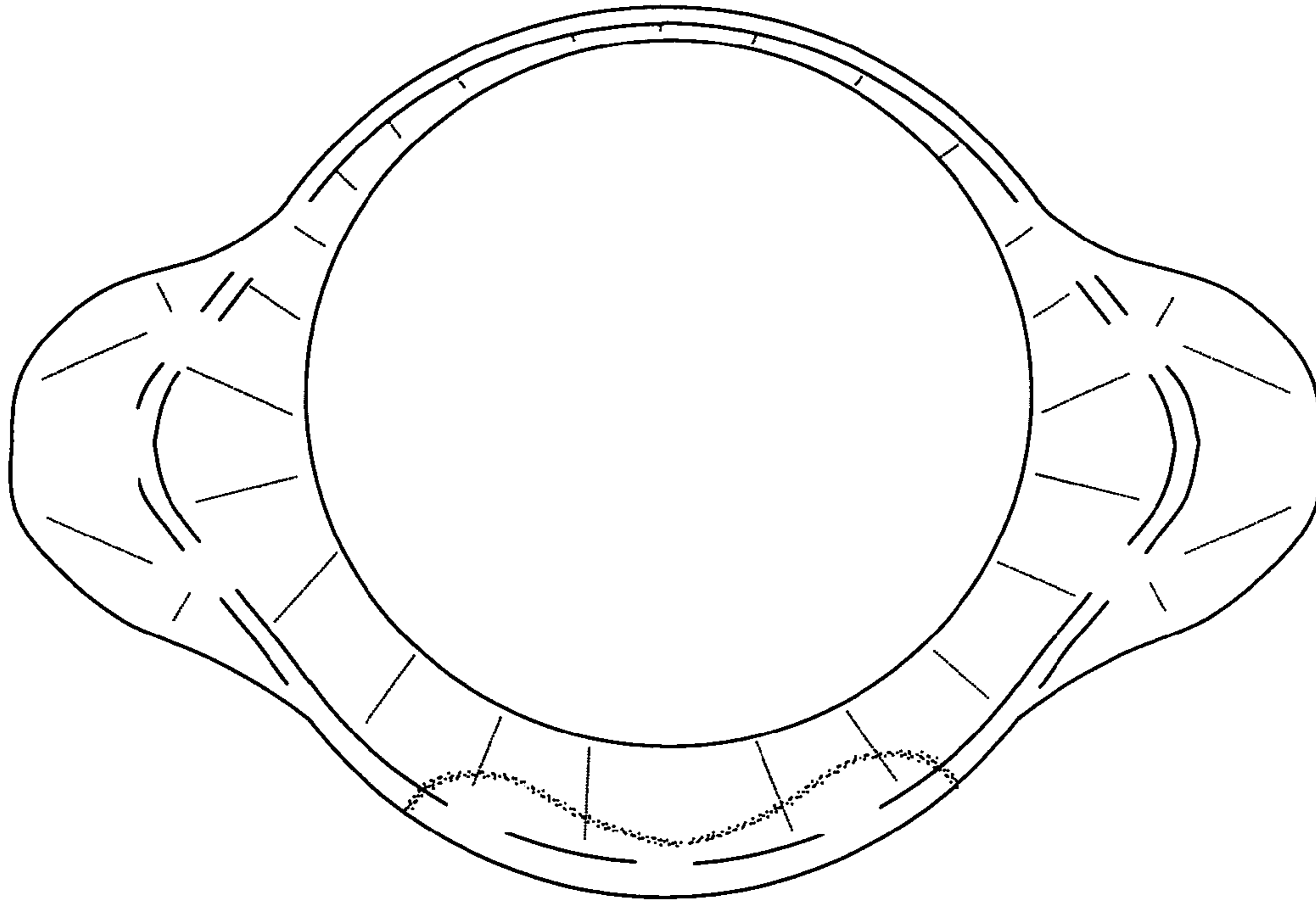


Fig. 6

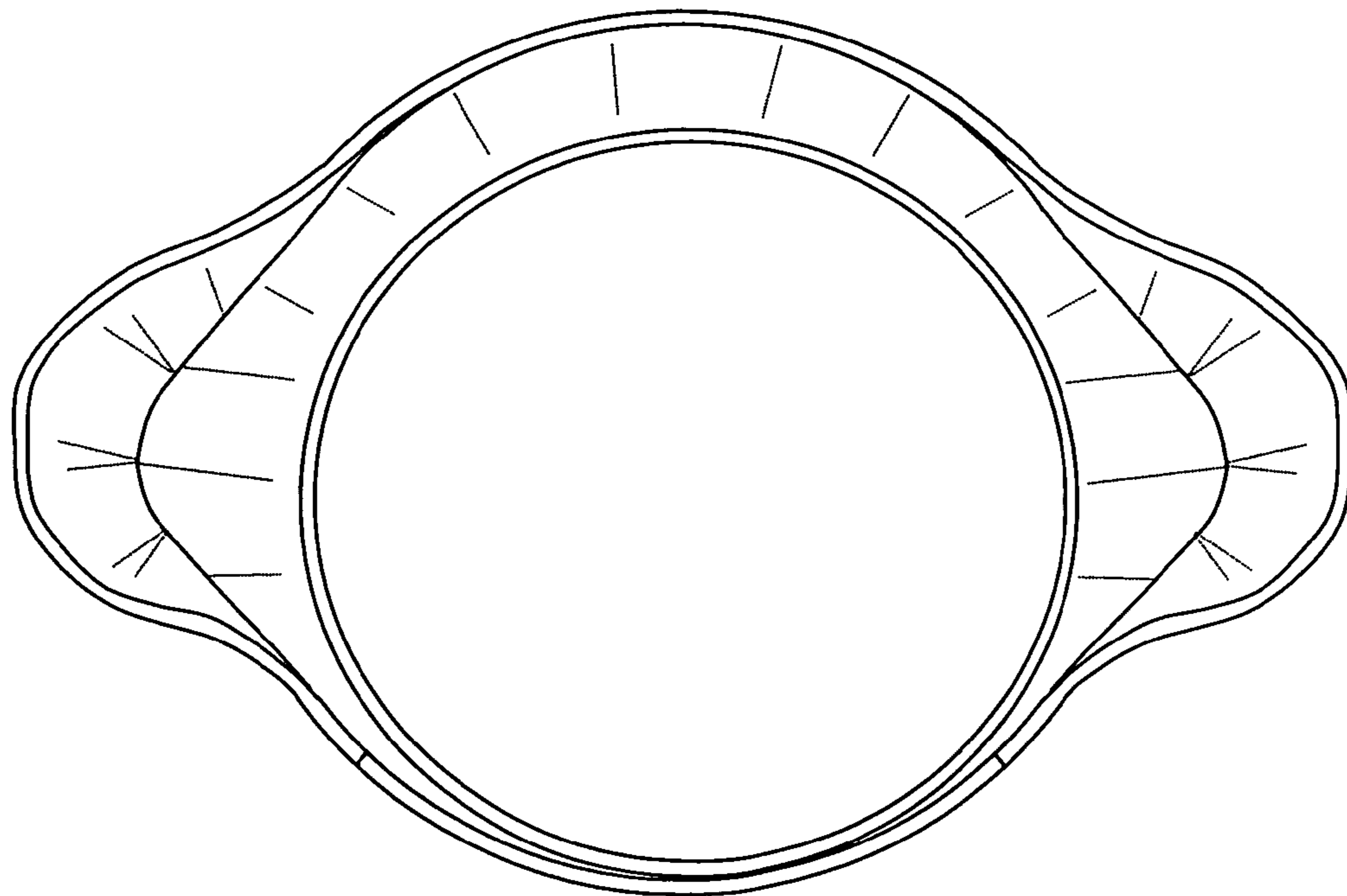


Fig. 7

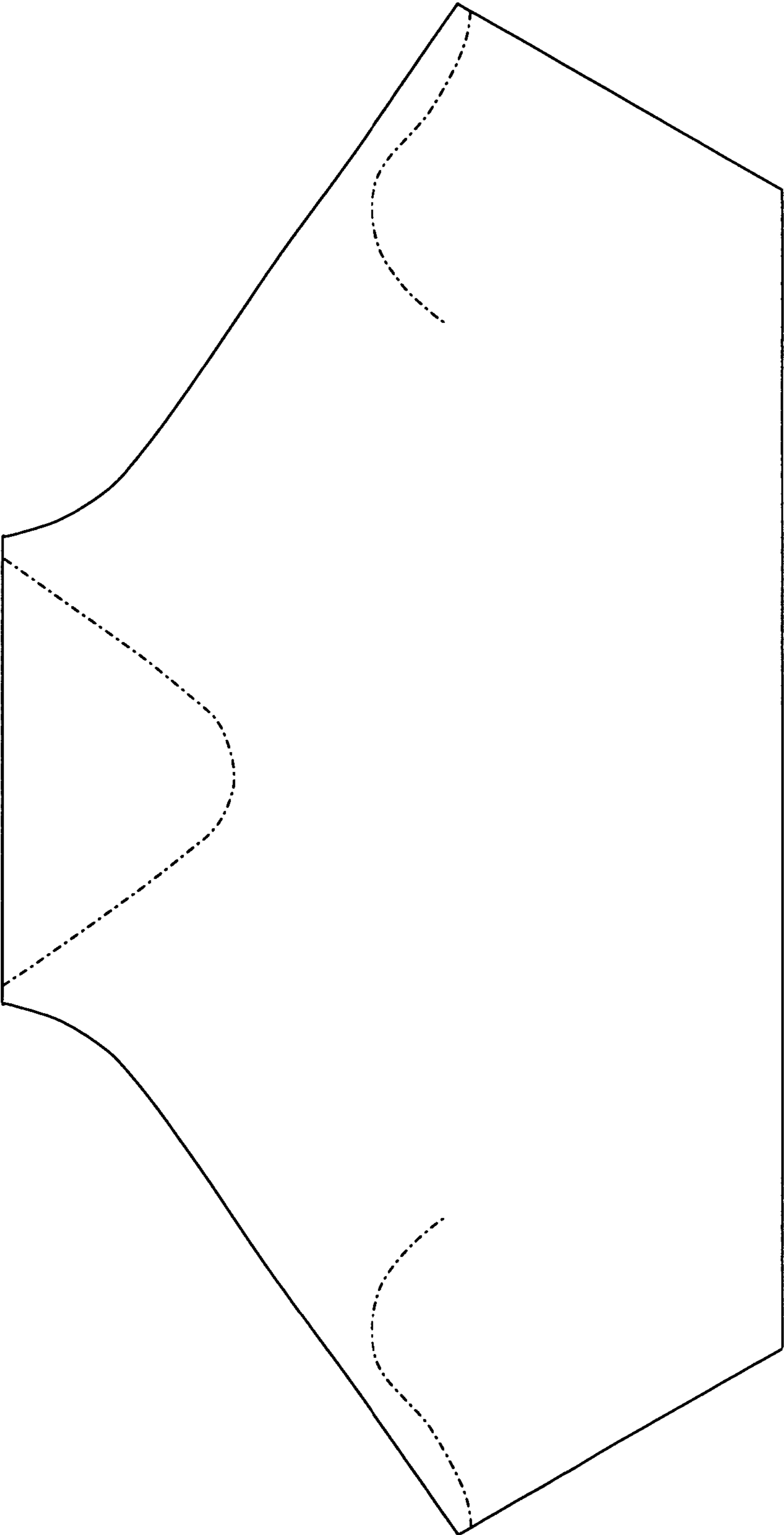


Fig. 8