



US00D594599S

(12) **United States Design Patent**
Thorpe

(10) **Patent No.:** **US D594,599 S**
(45) **Date of Patent:** **** Jun. 16, 2009**

(54) **COSMETIC DISPENSER CASE**

(74) *Attorney, Agent, or Firm*—Lee & Hayes, PLLC

(76) **Inventor:** **Timothy Thorpe**, 938 Lincoln Blvd.,
Apt. 1, Santa Monica, CA (US) 90403

(57) **CLAIM**

The ornamental design for a cosmetic dispenser case, as shown and described.

(**) **Term:** **14 Years**

(21) **Appl. No.:** **29/306,554**

DESCRIPTION

(22) **Filed:** **Apr. 10, 2008**

FIG. 1 is a front perspective view of a cosmetic dispenser case with a lid, caps, a latch, a latch capture, wells, and a hinge shown in broken lines for context;

Related U.S. Application Data

(63) Continuation of application No. 11/740,186, filed on Apr. 25, 2007, which is a continuation-in-part of application No. 29/261,572, filed on Jun. 15, 2006, now Pat. No. Des. 554,294.

FIG. 2 is a top plan view of an interior of a base of the cosmetic dispenser case of FIG. 1, with the lid, the caps, the latch, and the wells shown in broken lines for context;

(51) **LOC (9) Cl.** **28-03**

(52) **U.S. Cl.** **D28/83**

(58) **Field of Classification Search** D28/73,
D28/76-84; 132/286-288, 293-307, 312,
132/318; 220/DIG. 26; 206/581, 823
See application file for complete search history.

FIG. 3 is a side elevation view of the cosmetic dispenser case of FIG. 1, with the lid, the caps, the hinge, and the latch shown in broken lines for context;

(56) **References Cited**

U.S. PATENT DOCUMENTS

D365,892	S *	1/1996	Markham	D28/83
5,655,553	A *	8/1997	Giese et al.	132/303
6,997,321	B2 *	2/2006	Young	206/581
D554,293	S *	10/2007	Thorpe	D28/83
D554,294	S *	10/2007	Thorpe	D28/83
2006/0027481	A1 *	2/2006	Gelardi et al.	206/581

FIG. 4 is a top plan view of the cosmetic dispenser case of FIG. 1, with the lid and the latch shown in broken lines for context;

FIG. 5 is a front elevation view of the cosmetic dispenser case of FIG. 1, with the lid and the latch shown in broken lines for context;

FIG. 6 is a back elevation view of the cosmetic dispenser case of FIG. 1, with the lid shown in broken lines for context; and,

FIG. 7 is a side elevation view of the cosmetic dispenser case of FIG. 1, with the lid and the latch shown in broken lines for context.

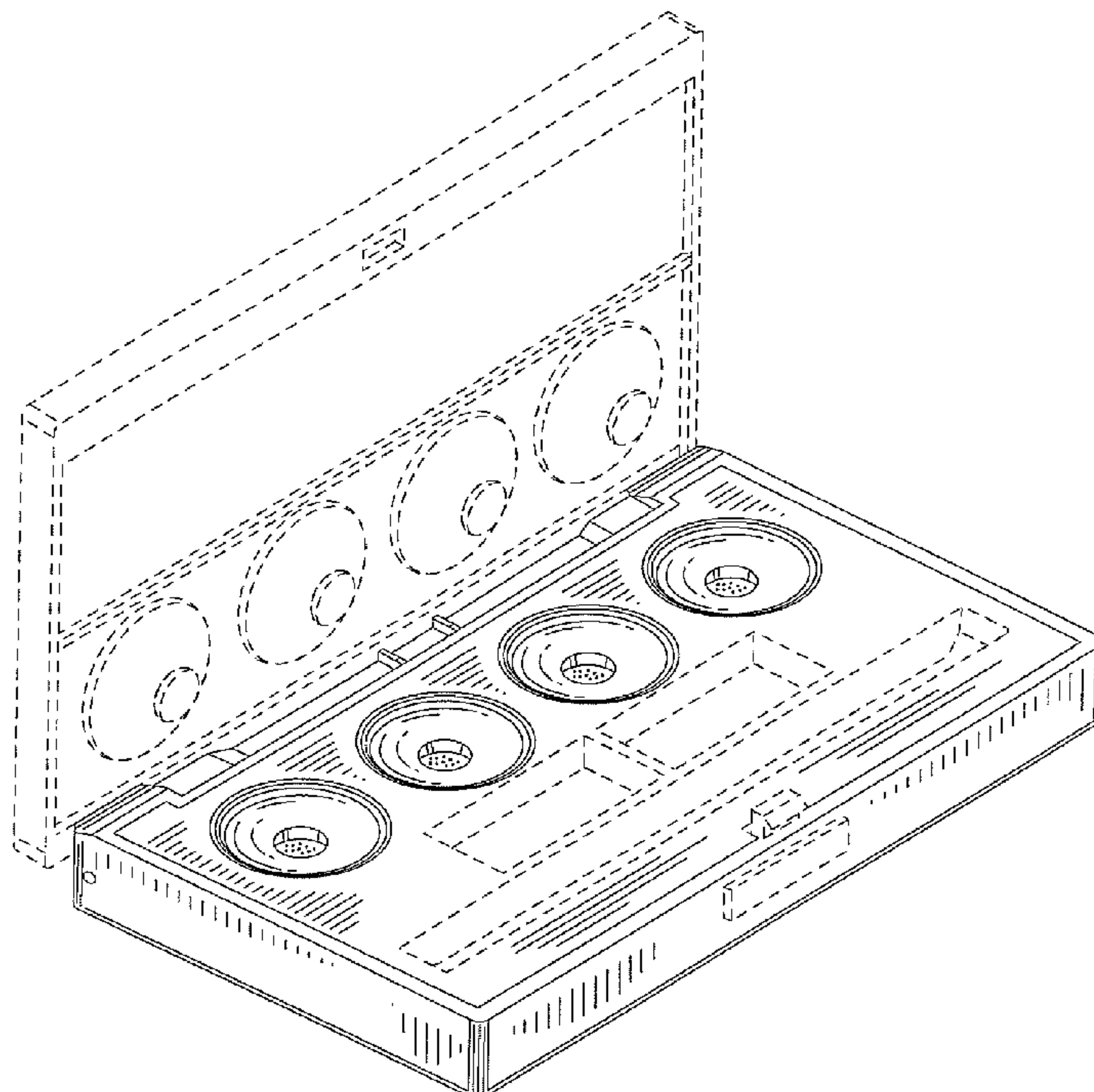
The broken lines are directed to environment and are for illustrative purposes only.

The broken lines form no part of the claimed design.

* cited by examiner

Primary Examiner—Jennifer Rivard

1 Claim, 7 Drawing Sheets



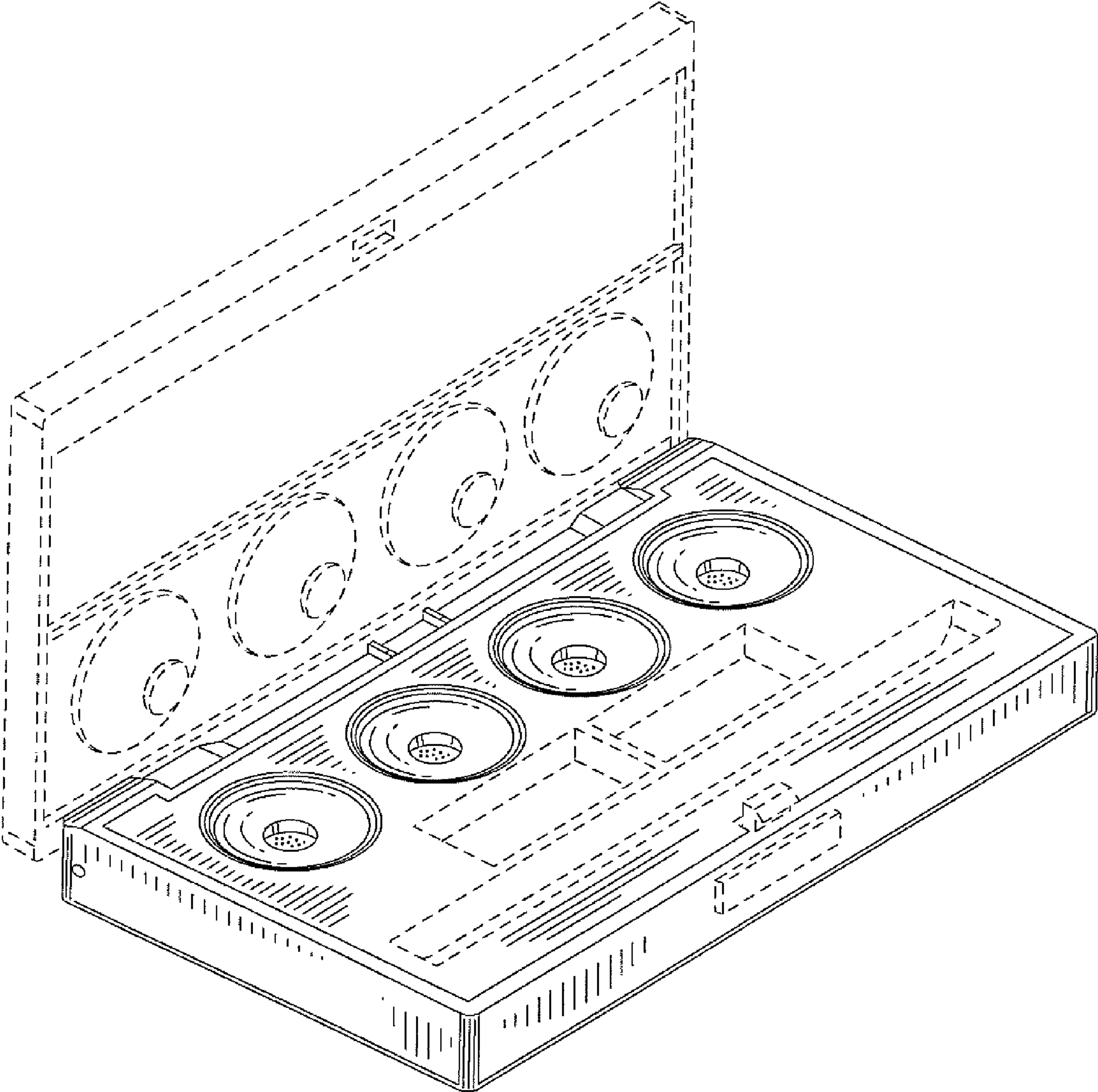


FIG. 1

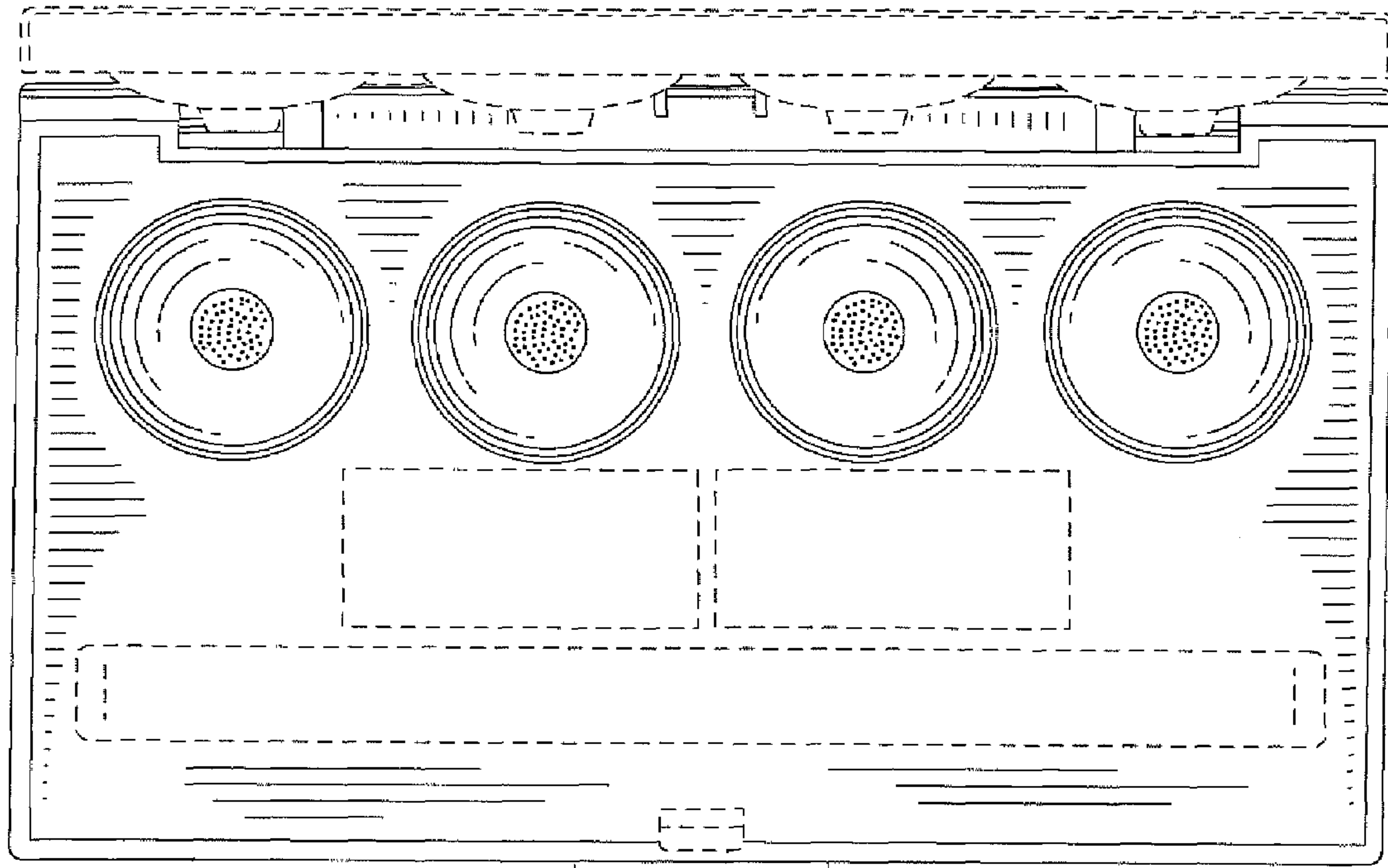


FIG. 2

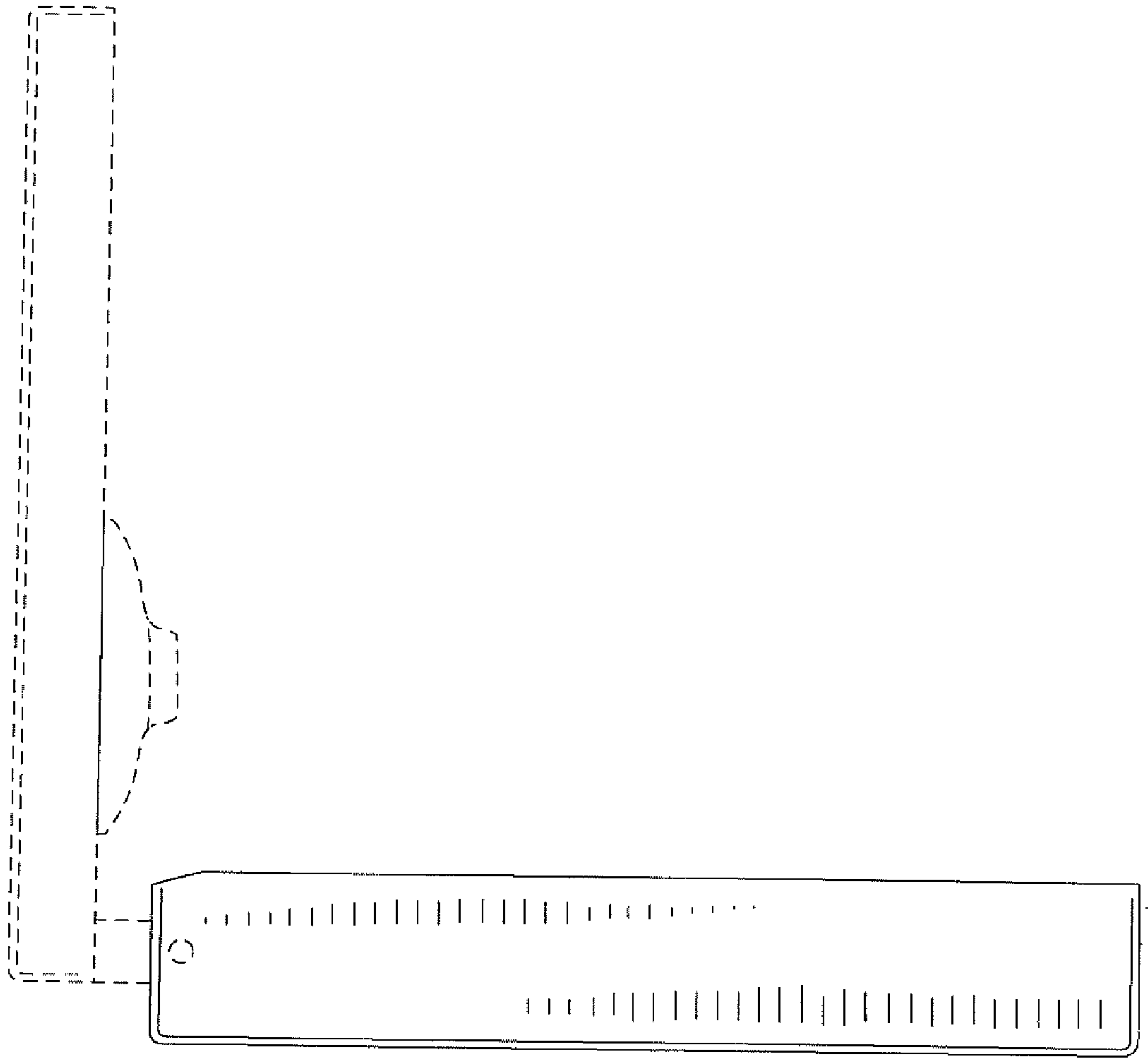


FIG. 3

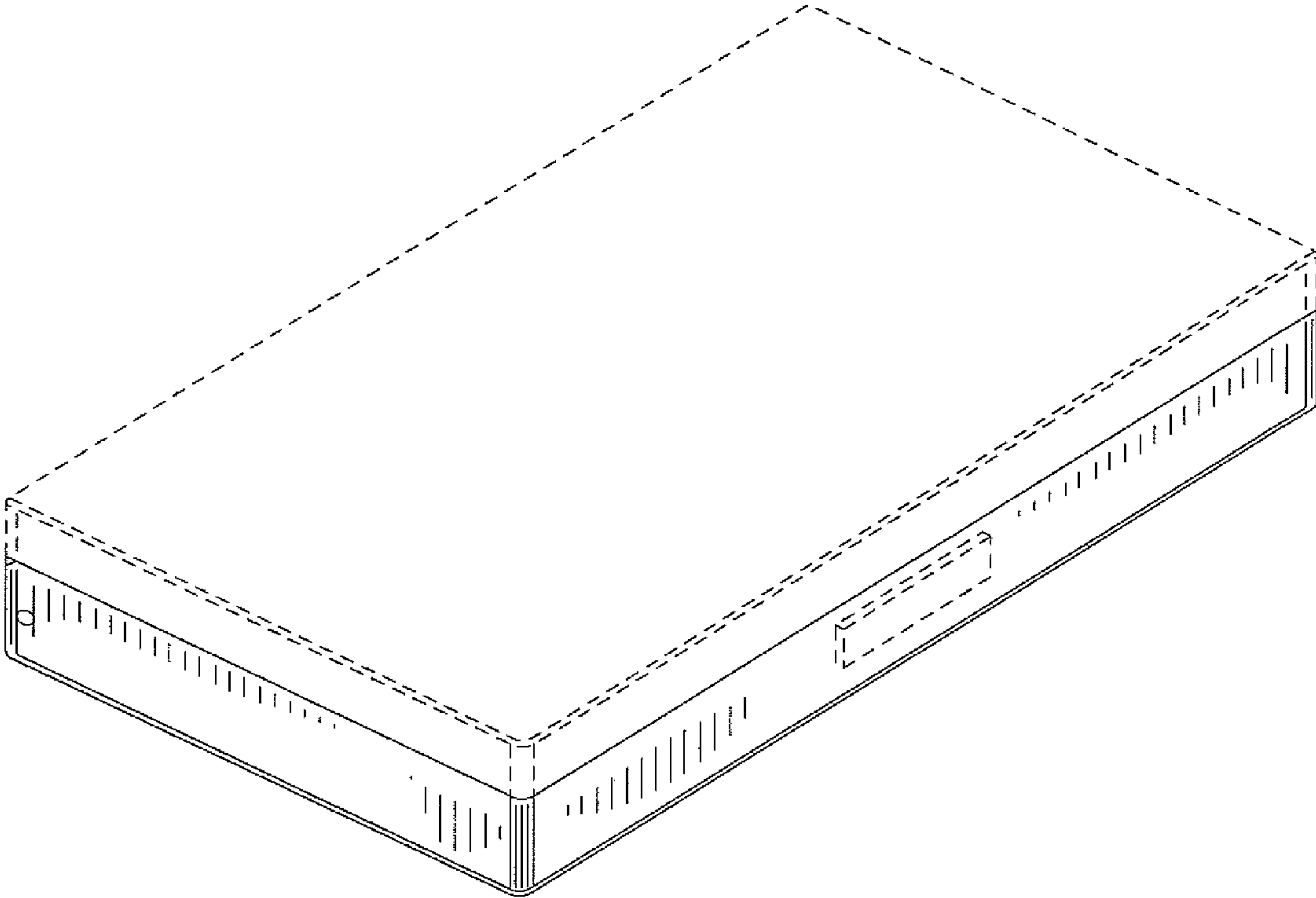


FIG. 4

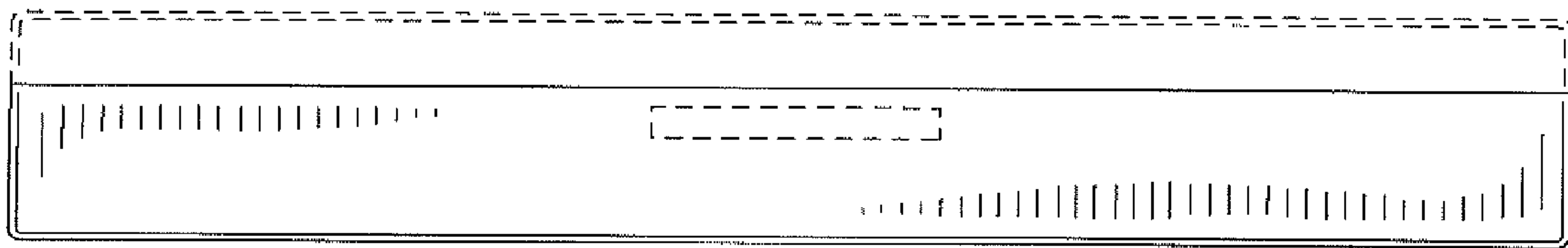


FIG. 5

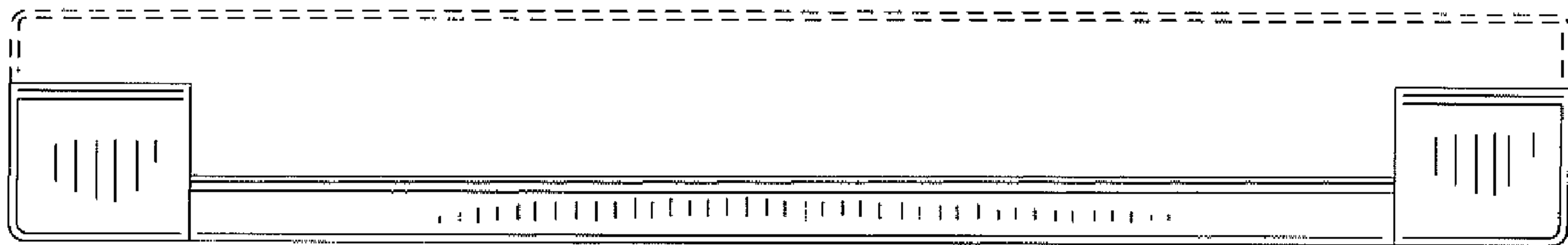


FIG. 6

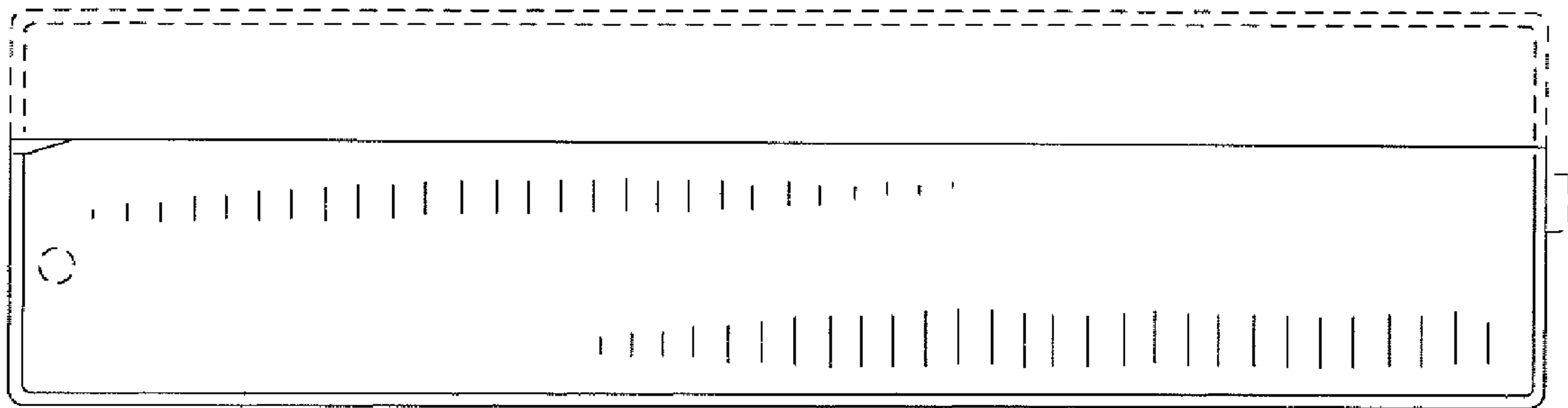


FIG. 7