



US00D594596S

(12) **United States Design Patent**
Mitten et al.

(10) **Patent No.:** **US D594,596 S**
(45) **Date of Patent:** **** Jun. 16, 2009**

(54) **CIGARETTE MINI-PACK WITH HINGED LID**

(75) Inventors: **Robert T. Mitten**, Glen Allen, VA (US);
Scott A. Fath, Richmond, VA (US)

(73) Assignee: **Philip Morris USA Inc.**, New York, NY
(US)

(**) Term: **14 Years**

(21) Appl. No.: **29/196,598**

(22) Filed: **Dec. 31, 2003**

(51) **LOC (9) Cl.** **27-06**

(52) **U.S. Cl.** **D27/189**

(58) **Field of Classification Search** D27/186-191;
206/256, 259, 265-273; 229/160.1, 108,
229/112, 120.03, 120.11

See application file for complete search history.

(56) **References Cited**

U.S. PATENT DOCUMENTS

| | | | | | |
|-----------|-----|--------|--------------|-------|------------|
| 2,825,343 | A * | 3/1958 | Richner | | 206/273 |
| 2,983,424 | A * | 5/1961 | Glass | | 229/160.1 |
| 2,998,910 | A * | 9/1961 | Gillam | | 229/160.1 |
| 3,039,671 | A * | 6/1962 | Chiamardas | | 229/120.03 |
| 4,216,898 | A * | 8/1980 | Davies | | 229/160.1 |
| 5,314,062 | A * | 5/1994 | Wu et al. | | 229/160.1 |
| 5,487,468 | A * | 1/1996 | Sheahan | | 206/242 |
| D427,369 | S | 6/2000 | Bowen et al. | | |
| D441,497 | S * | 5/2001 | Focke et al. | | D27/189 |

| | | | | | |
|--------------|------|---------|--------------|-------|-----------|
| D448,888 | S * | 10/2001 | Focke et al. | | D27/189 |
| D462,479 | S * | 9/2002 | Draghetti | | D27/189 |
| D462,805 | S * | 9/2002 | Draghetti | | D27/189 |
| 2001/0030135 | A1 * | 10/2001 | Fath et al. | | 229/160.1 |
| 2003/0010656 | A1 | 1/2003 | Focke et al. | | |

* cited by examiner

Primary Examiner—Jennifer Rivard

(74) *Attorney, Agent, or Firm*—Connolly Bove Lodge & Hutz
LLP

(57) **CLAIM**

An ornamental design for a cigarette mini-pack with hinged lid, as shown and described.

DESCRIPTION

FIG. 1 is a perspective view of a cigarette mini-pack with hinged lid with the lid partially open, showing our new design;

FIG. 2 is a front elevational view thereof;

FIG. 3 is a right side elevational view thereof, the left side elevational view being a mirror image duplicate;

FIG. 4 is a rear elevational view thereof;

FIG. 5 is a top plan view thereof, the bottom plan view being identical; and,

FIG. 6 is a perspective view of a cigarette pack comprising two of the mini-packs shown in FIGS. 1-5.

1 Claim, 2 Drawing Sheets

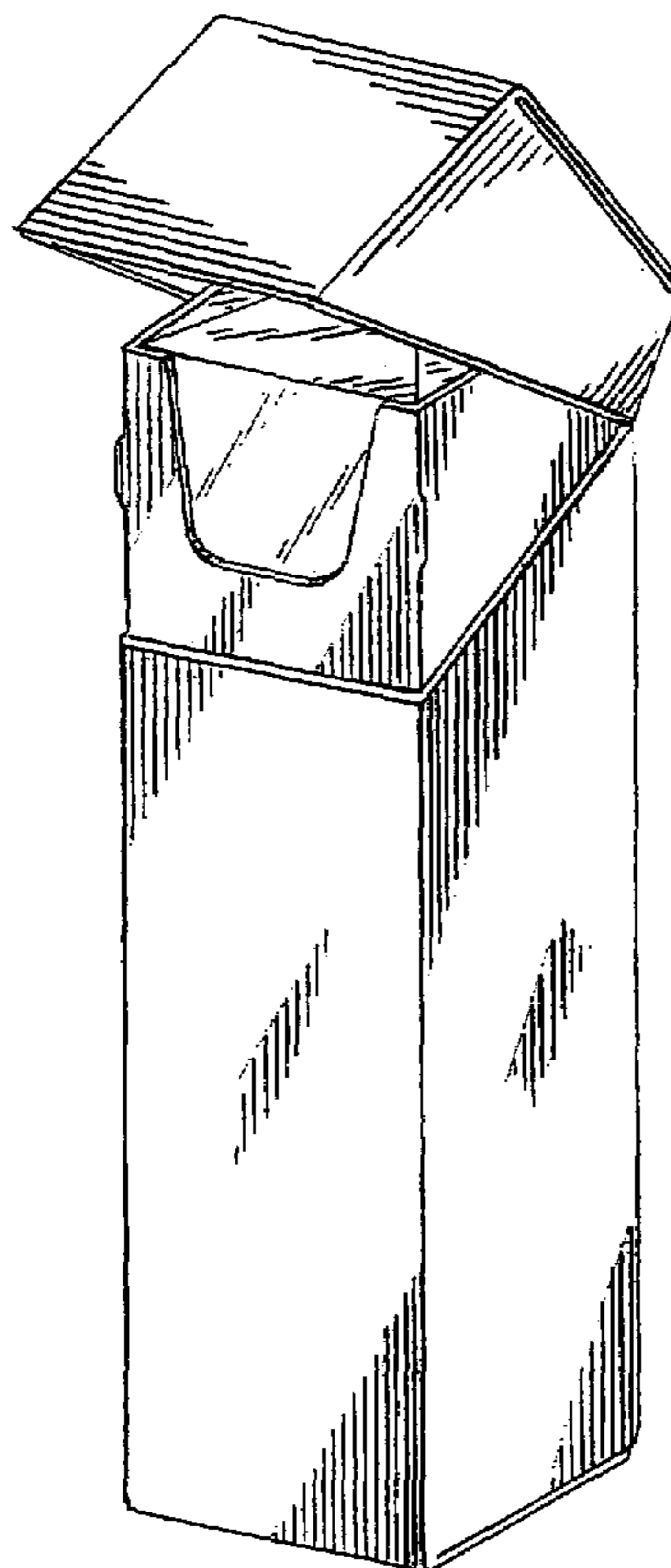


Fig. 1.

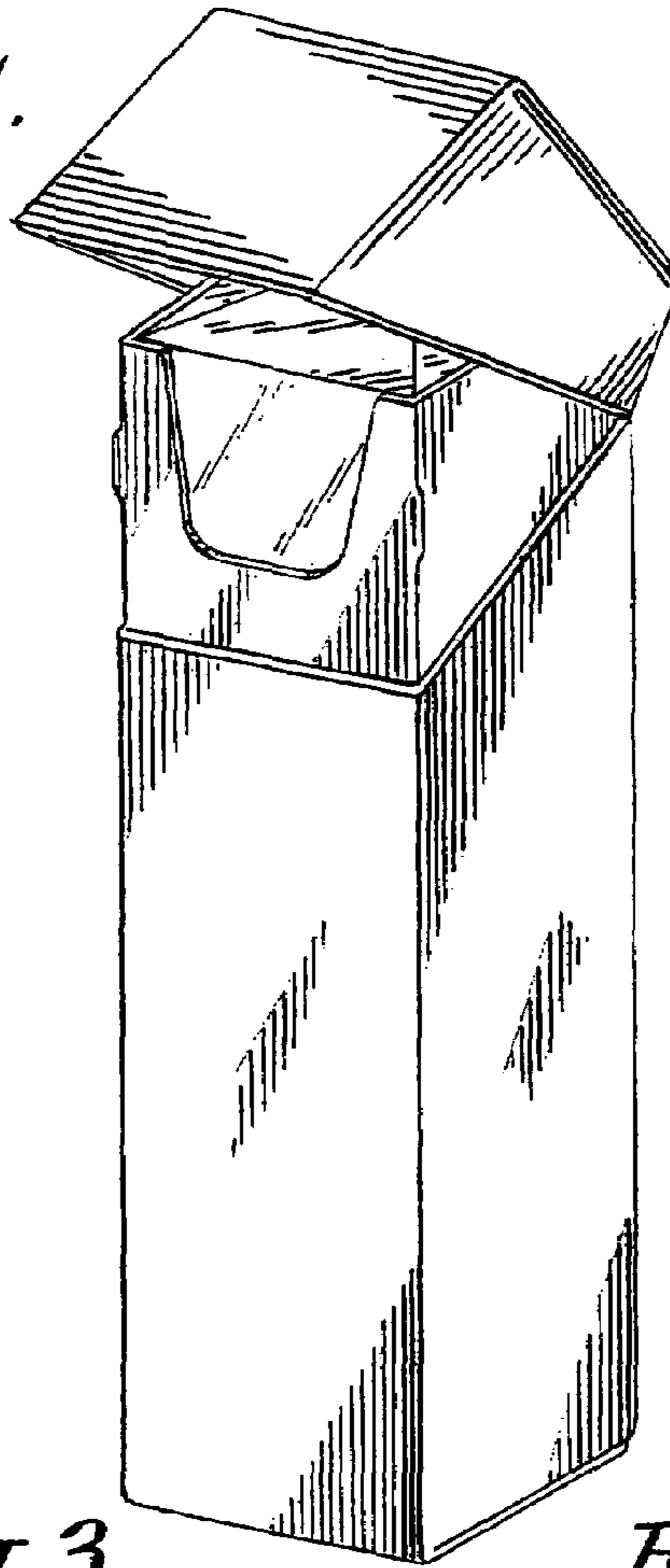


Fig. 5.

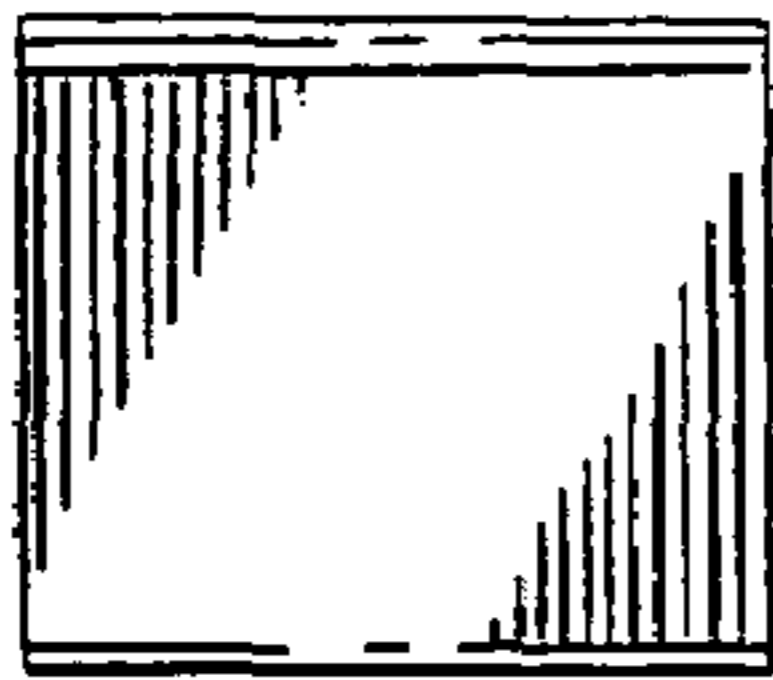


Fig. 2.

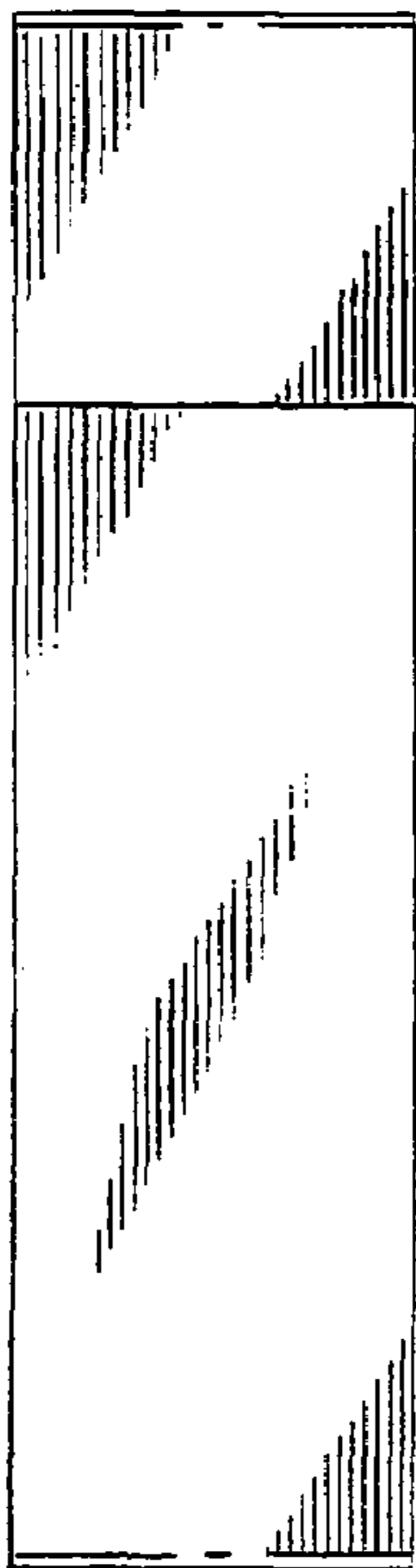


Fig. 3.

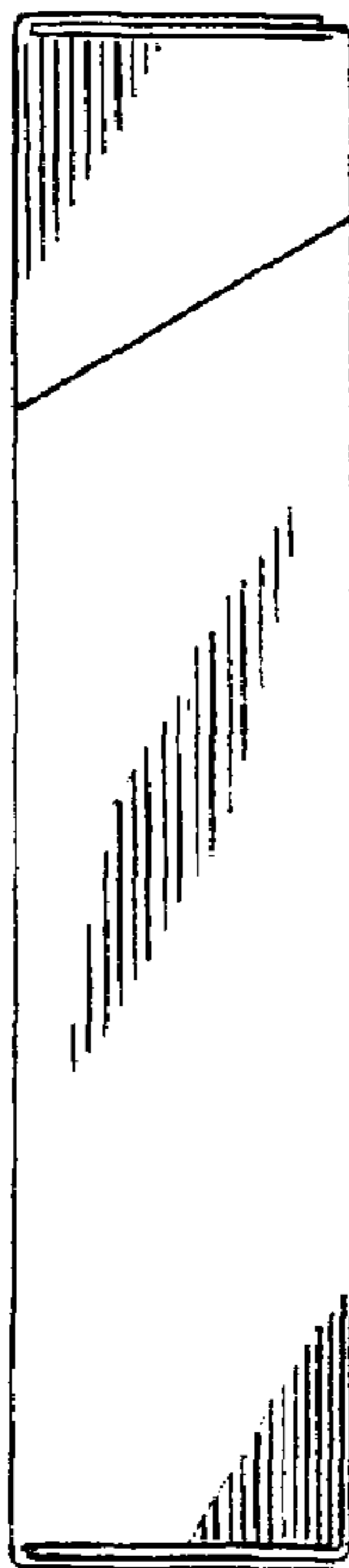


Fig. 4.

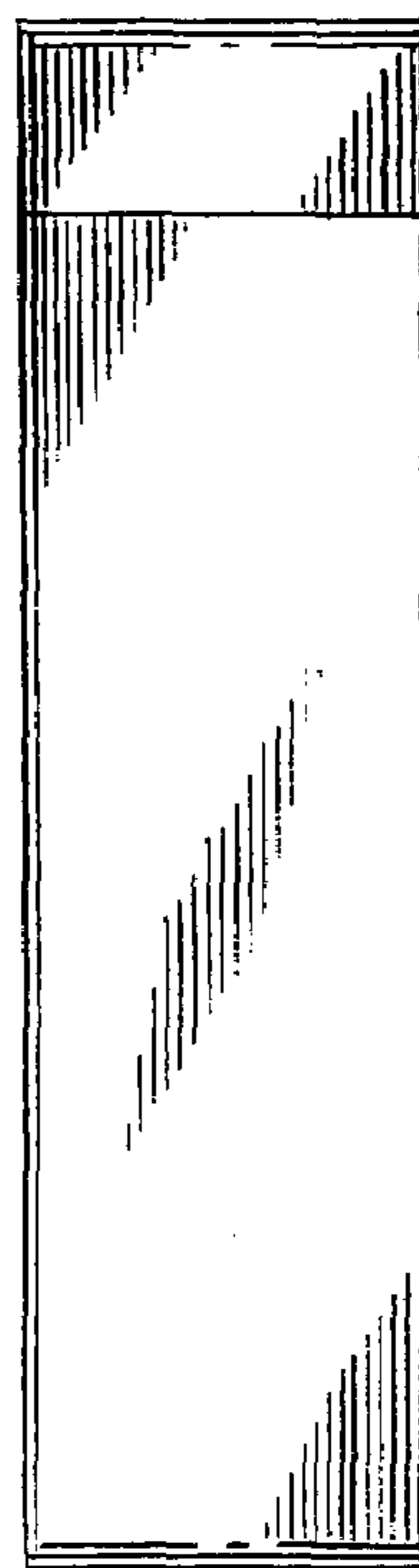


Fig. 6.

