

US00D594594S

(12) **United States Design Patent**
Schmidt

(10) **Patent No.:** **US D594,594 S**
(45) **Date of Patent:** **** Jun. 16, 2009**

(54) **LUMINAIRE COMPONENT**

(75) Inventor: **Jonathan Becker Schmidt**, Round Rock, TX (US)

(73) Assignee: **ABL IP Holding LLC**, Conyers, GA (US)

(**) Term: **14 Years**

(21) Appl. No.: **29/322,560**

(22) Filed: **Aug. 7, 2008**

(51) **LOC (9) Cl.** **26-99**

(52) **U.S. Cl.** **D26/154**

(58) **Field of Classification Search** D26/67,
D26/87, 88, 85, 89, 118, 141, 138, 120, 74,
D26/113, 68, 79, 81, 83, 119, 121, 154, 122,
D26/123, 124, 128, 131, 142, 143; 362/255,
362/444, 606, 95, 145, 147, 148, 805, 153,
362/153.1, 655, 656, 658, 659, 260, 297,
362/301, 309, 331, 335, 353, 364, 365, 416,
362/431, 435, 448, 452; D13/154, 133, 134,
D13/135; D8/354, 364, 366, 371, 381; D10/106
See application file for complete search history.

(56) **References Cited**

U.S. PATENT DOCUMENTS

D77,410 S *	1/1929	Harris	D26/129
D82,425 S *	11/1930	Harris	D26/67
D97,423 S *	11/1935	Werring	D26/67
D102,553 S *	12/1936	Gosling	D26/67
2,066,631 A *	1/1937	Le Gorre	362/303
D125,314 S *	2/1941	Proulx	D26/67
D192,125 S	1/1962	Lasker		

(Continued)

OTHER PUBLICATIONS

“Providence” Architectural Area Lighting, 2005—20 pgs.
“F162 Series Luminaire” Heritage Casting & Ironworks, 2002—1
pg.

“Barcelona Twilight Series”, Niland Company—12 pgs.
“Product Specifications Report” Sea Gull Lighting—1 pg.
“E450/E460/E470 Euro Series” Sternberg—2 pgs.
“Bounce Pedestrian Scale Luminaire” Kim Lighting, 2004—11 pgs.
“Intrepid Series” LSI Greenlee, 2007—6 pgs.
“Lexington Series” LSI Greenlee, 2007—4 pgs.
“Treviso” Beacon—pp. 16-21.
“Fulgora” Schreder—2 pgs.
“Westminster Collection” Dinico Lighting, 2007—2 pgs.
“Munich Collection” Snoc, 2006—1 pg.
“The New Orleans Series” Spring City Lighting—1 pg.
“Victorian Series” Penn Globe—1 pg.
“New Oxford (V022)” Hadco, 2006—1 pg.
“Barcelona Series” Niland Company—1 pg.

Primary Examiner—Cathron C Brooks
Assistant Examiner—Kevin K Rudzinski
(74) *Attorney, Agent, or Firm*—Kilpatrick Stockton, LLP

(57) **CLAIM**

The ornamental design for a luminaire component, as shown and described.

DESCRIPTION

FIG. 1 shows a top perspective view of the luminaire component.

FIG. 2 shows a front view of the luminaire component shown in FIG. 1, the back view, right side view, and left side view being mirror images of the front view.

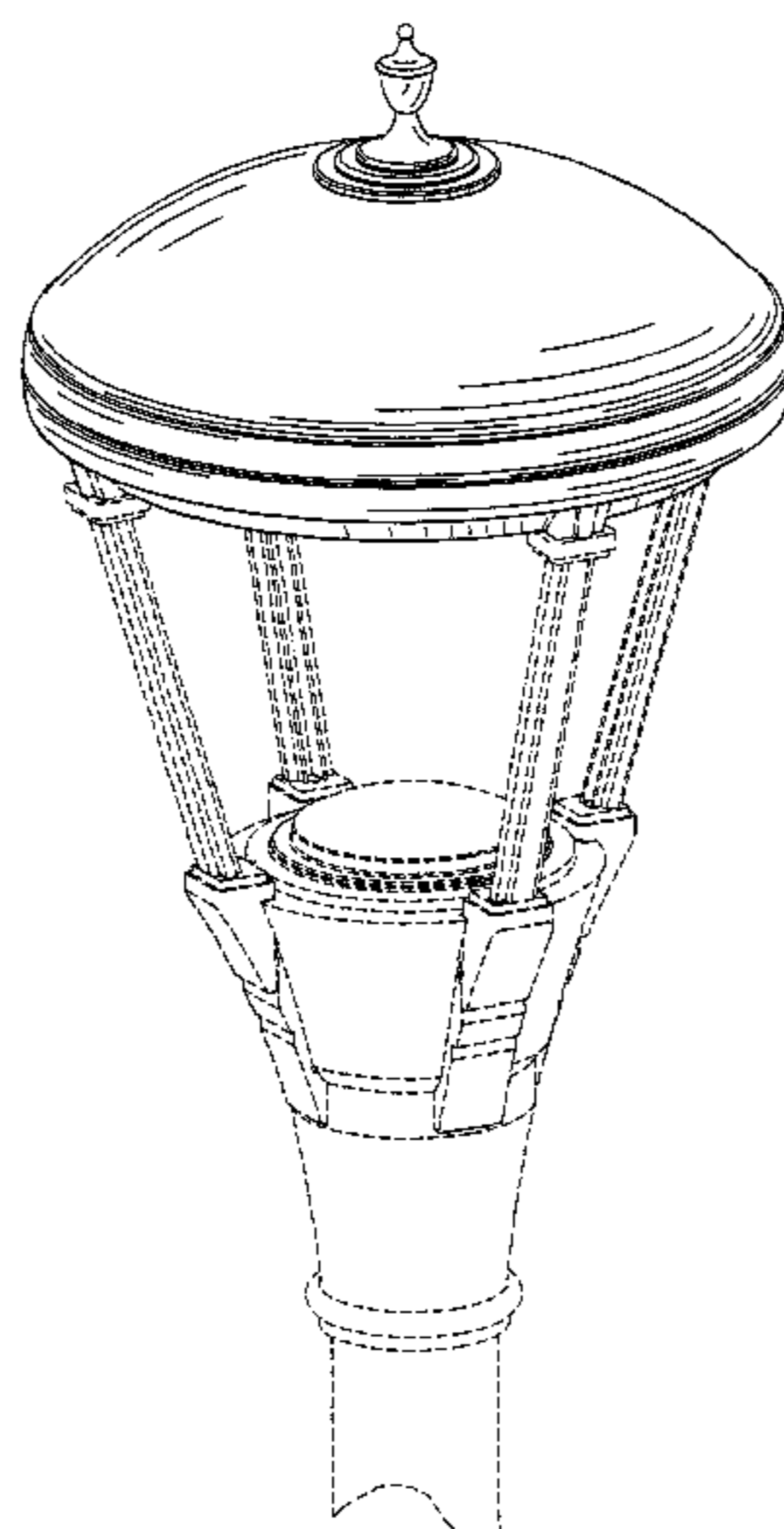
FIG. 3 shows a top plan view of the luminaire component shown in FIG. 1.

FIG. 4 shows a top perspective view of the luminaire component of FIG. 1 in isolation; and,

FIG. 5 shows a front view of the luminaire component shown in FIG. 4, the back view, right side view, and left side view being mirror images of the front view.

Portions or features of the luminaire component not shown in the drawings form no part of the claimed design. Portions or features of the luminaire component shown in broken lines form no part of the claimed design.

1 Claim, 4 Drawing Sheets



US D594,594 S

Page 2

U.S. PATENT DOCUMENTS

3,341,718	A *	9/1967	Acker	307/157	D465,603	S	11/2002	De'Armond	
D229,713	S	12/1973	Wince et al.		D466,243	S *	11/2002	Chen	D26/67
4,712,166	A *	12/1987	Stewart	362/147	D468,478	S	1/2003	Landefeld et al.	
D316,158	S *	4/1991	Choi	D26/87	D470,261	S	2/2003	Dolan	
D383,242	S	9/1997	Reese		D473,333	S	4/2003	Willmorth	
D427,350	S	6/2000	Landefeld		D485,387	S	1/2004	Harbaugh	
D444,584	S	7/2001	Landefeld		D496,489	S *	9/2004	Thomas, Jr.	D26/128
D456,547	S *	4/2002	Leen	D26/67	D503,992	S *	4/2005	Curtin	D26/88
D464,163	S *	10/2002	Orozco	D26/87	D515,231	S	2/2006	Randazzo et al.	

* cited by examiner

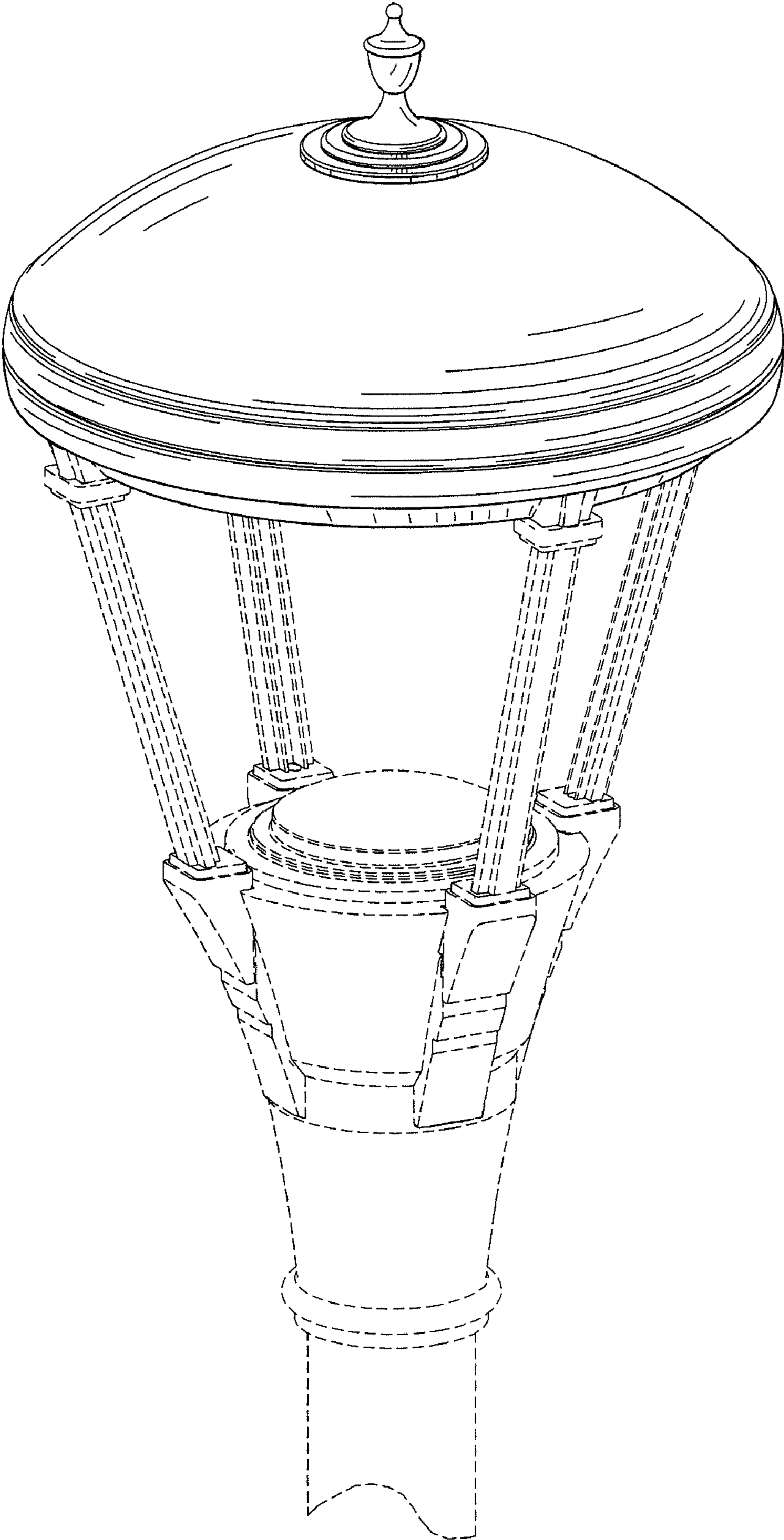


FIG. 1

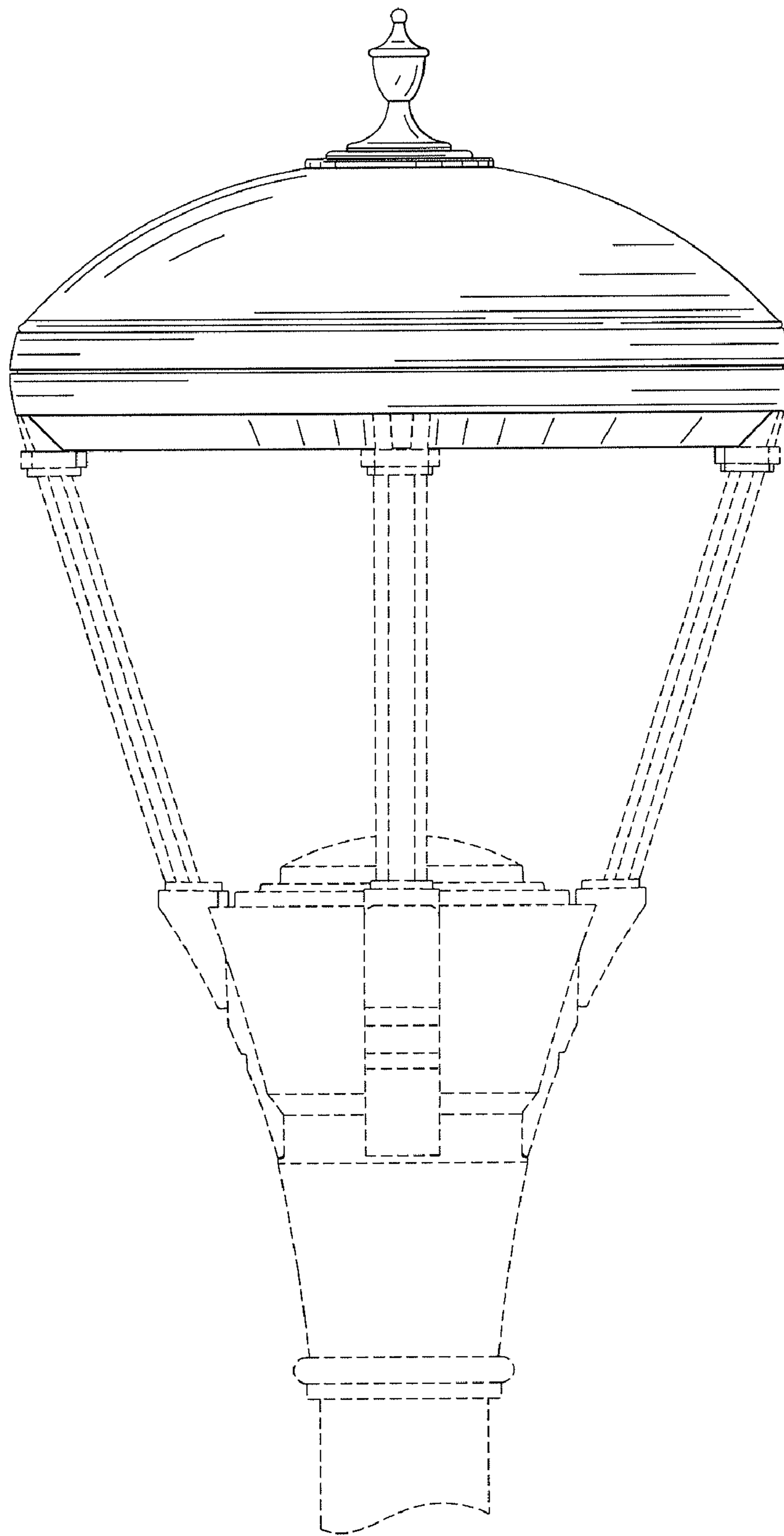


FIG. 2

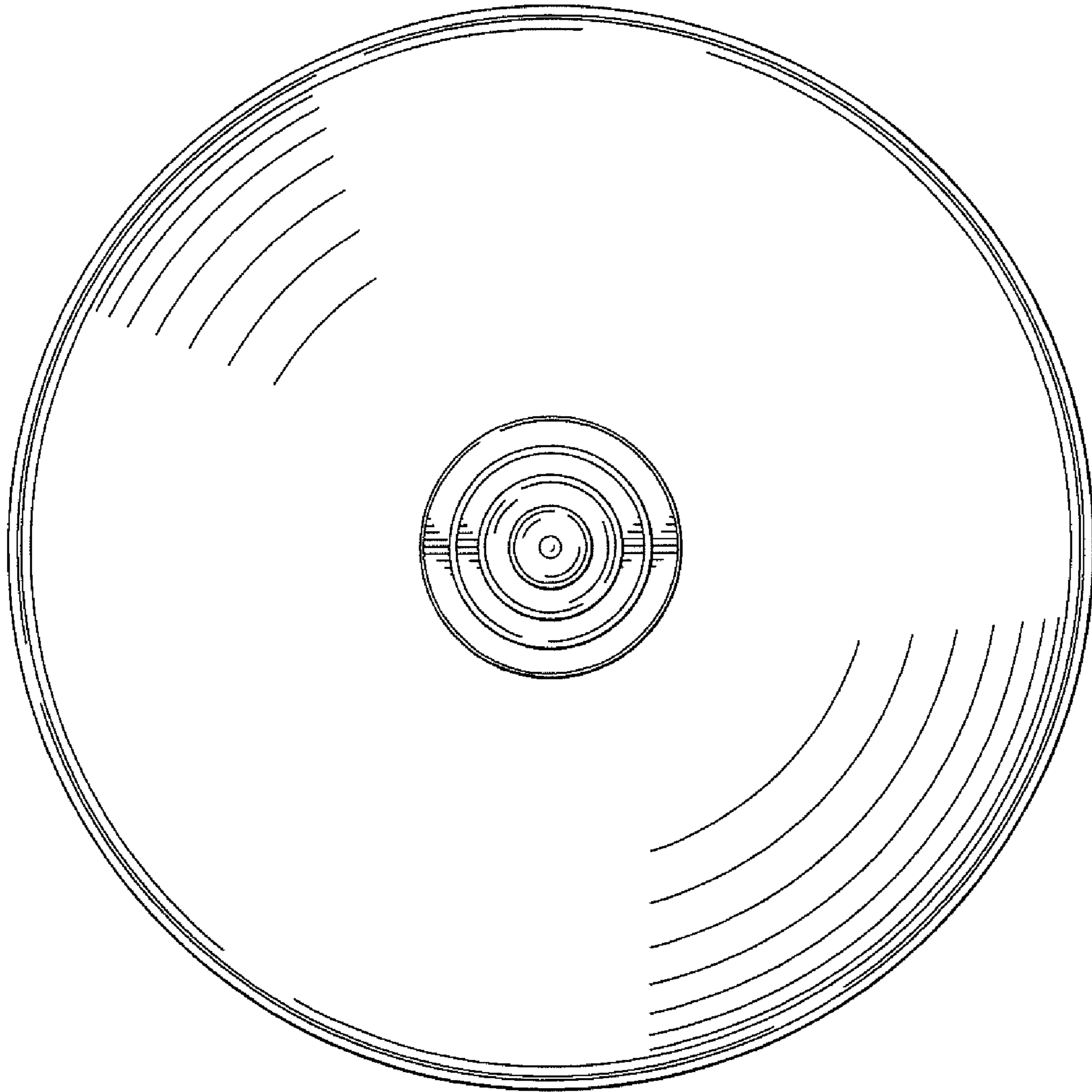


FIG. 3

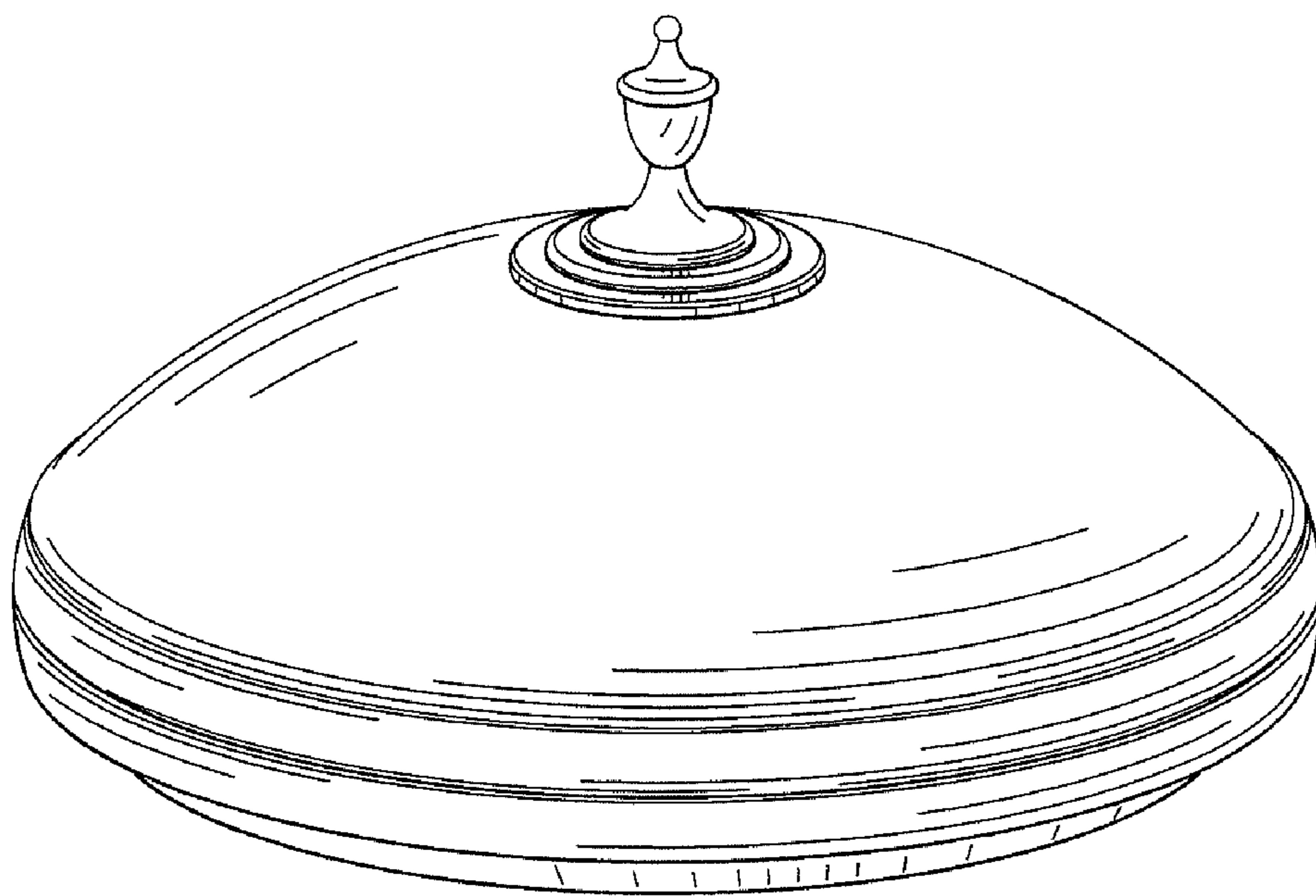


FIG. 4

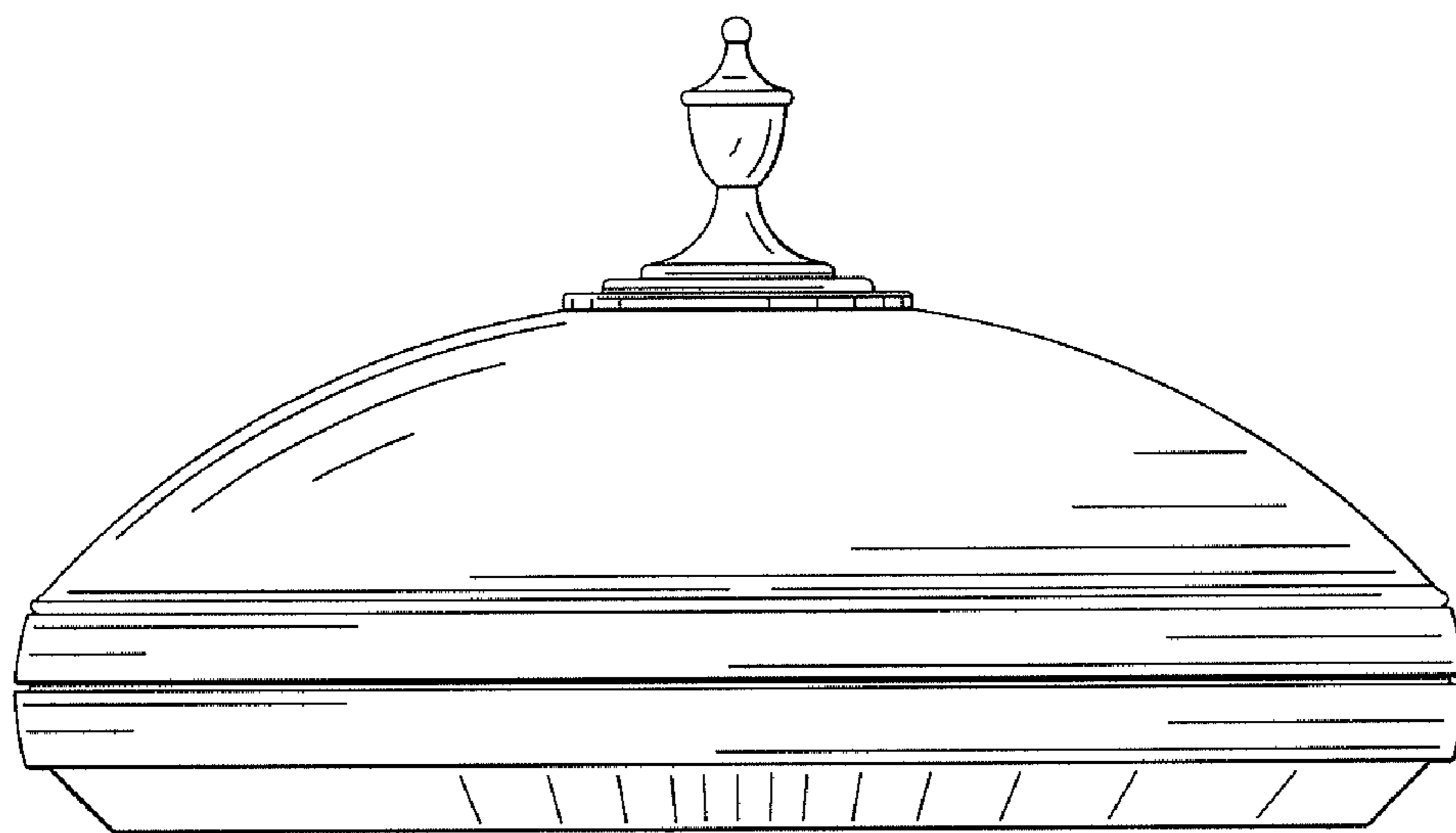


FIG. 5