

US00D594589S

(12) **United States Design Patent**
Castagna

(10) **Patent No.:** **US D594,589 S**

(45) **Date of Patent:** **** Jun. 16, 2009**

(54) **LANTERN LAMP**

D467,678 S * 12/2002 Chou et al. D26/94
D579,146 S * 10/2008 Tramble et al. D26/69

(76) Inventor: **Matthew I. Castagna**, 13266 Saturn Dr.,
Littleton, CO (US) 80124

* cited by examiner

(**) Term: **14 Years**

Primary Examiner—Brian N Vinson

(21) Appl. No.: **29/289,846**

(57) **CLAIM**

(22) Filed: **Aug. 3, 2007**

The ornamental design for a lantern lamp, as shown and described.

(51) **LOC (9) Cl.** **26-03**

(52) **U.S. Cl.** **D26/94**

(58) **Field of Classification Search** D26/24,
D26/37, 67–69, 93–96, 102, 110, 112; 362/565,
362/254–255, 257, 310, 317, 351, 362, 382,
362/410, 417, 433

See application file for complete search history.

DESCRIPTION

FIG. 1 is a front elevational view of a lantern lamp showing my new design;

FIG. 2 is a rear elevational view thereof;

FIG. 3 is a left side elevational view thereof;

FIG. 4 is a right side elevational view thereof;

FIG. 5 is a top plan view thereof; and,

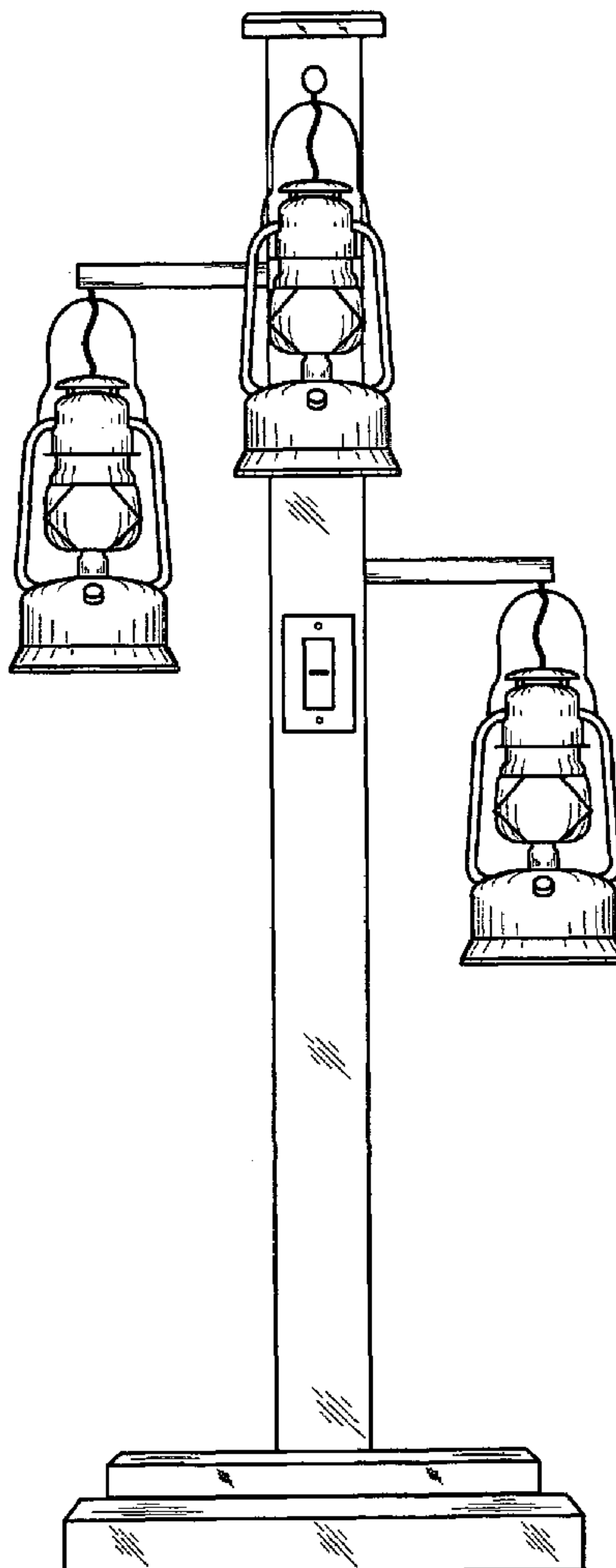
FIG. 6 is a bottom plan view thereof.

(56) **References Cited**

U.S. PATENT DOCUMENTS

D313,667 S * 1/1991 Horne D26/69

1 Claim, 6 Drawing Sheets



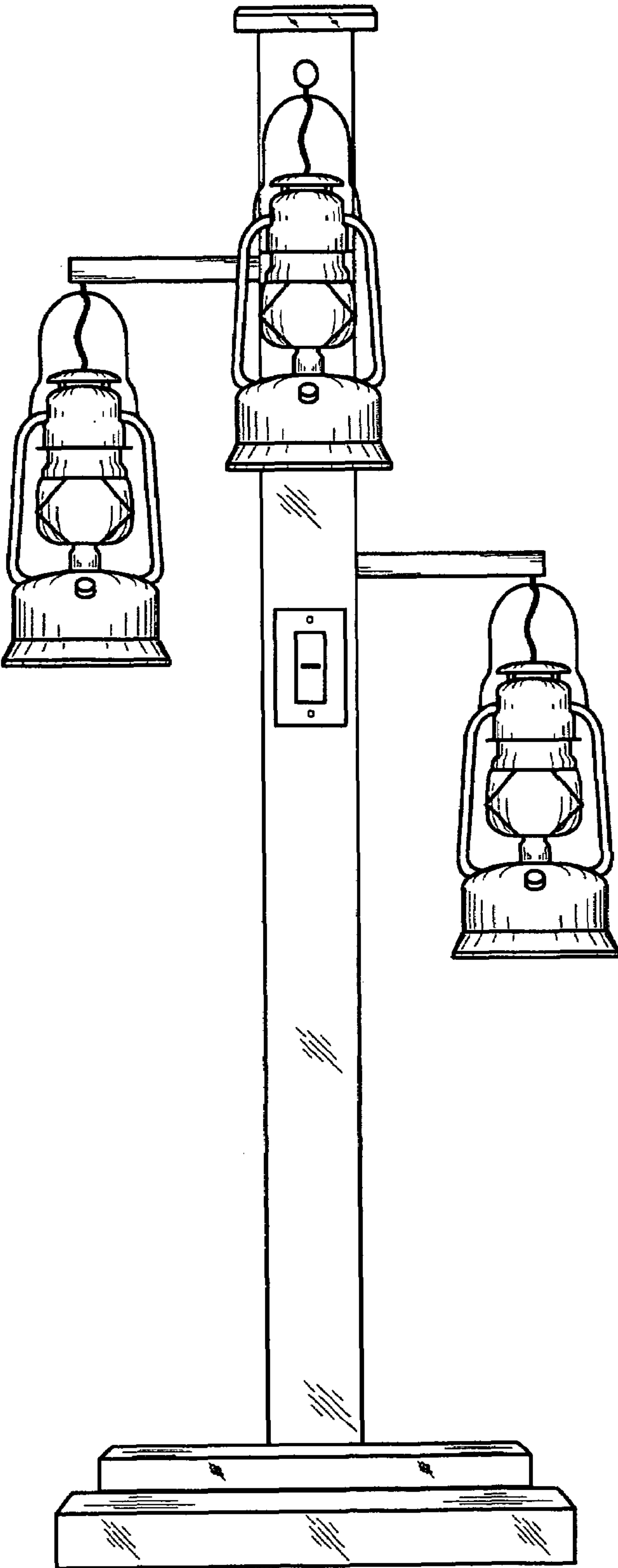


FIG 1

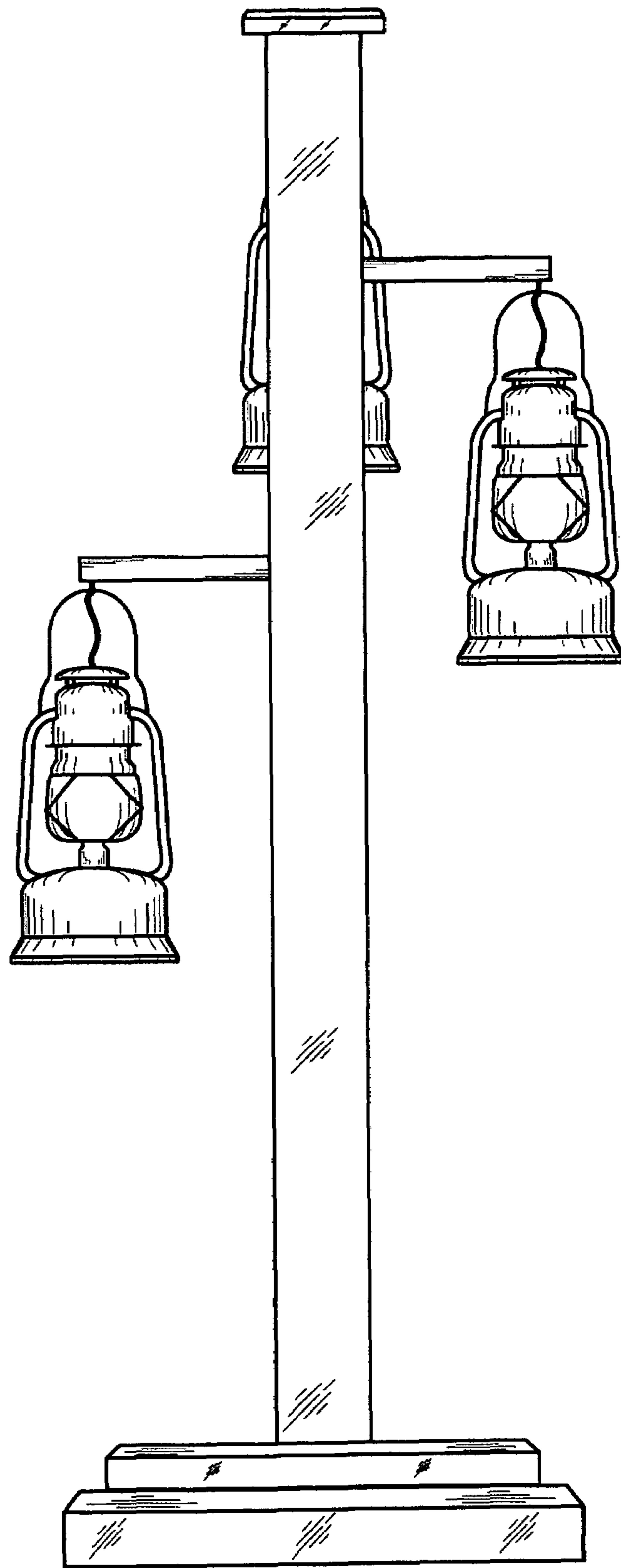


FIG 2

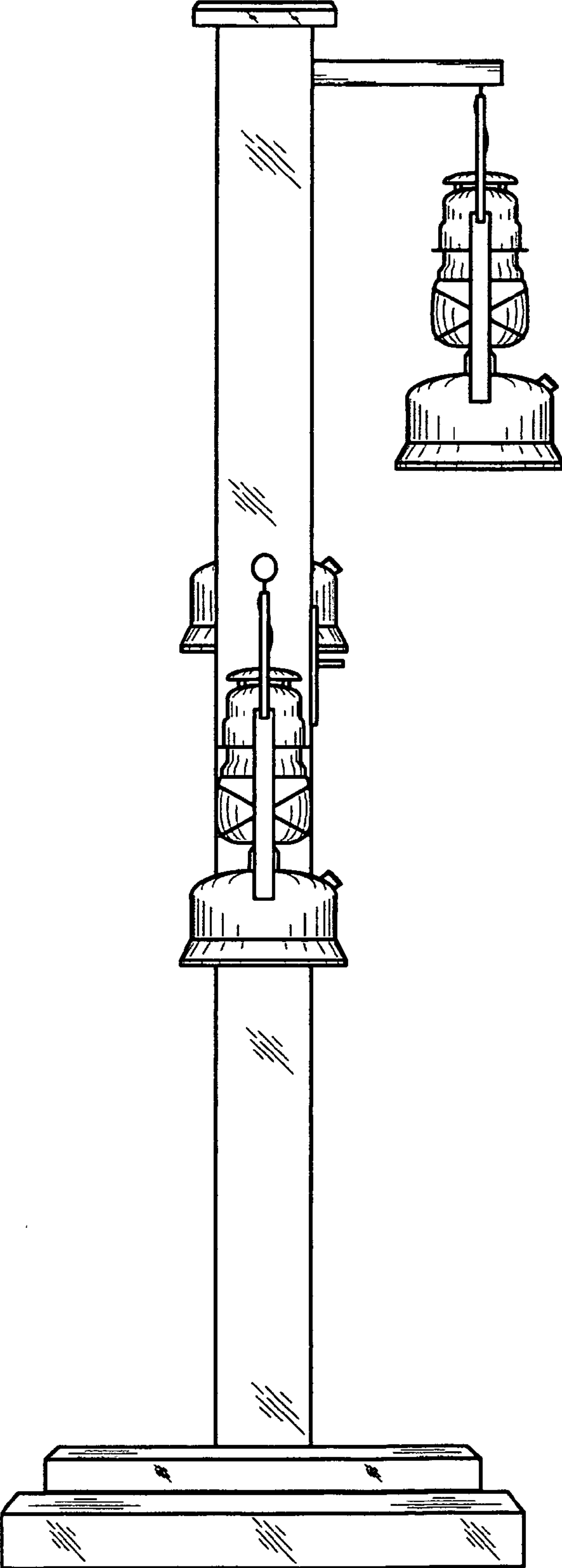


FIG 3

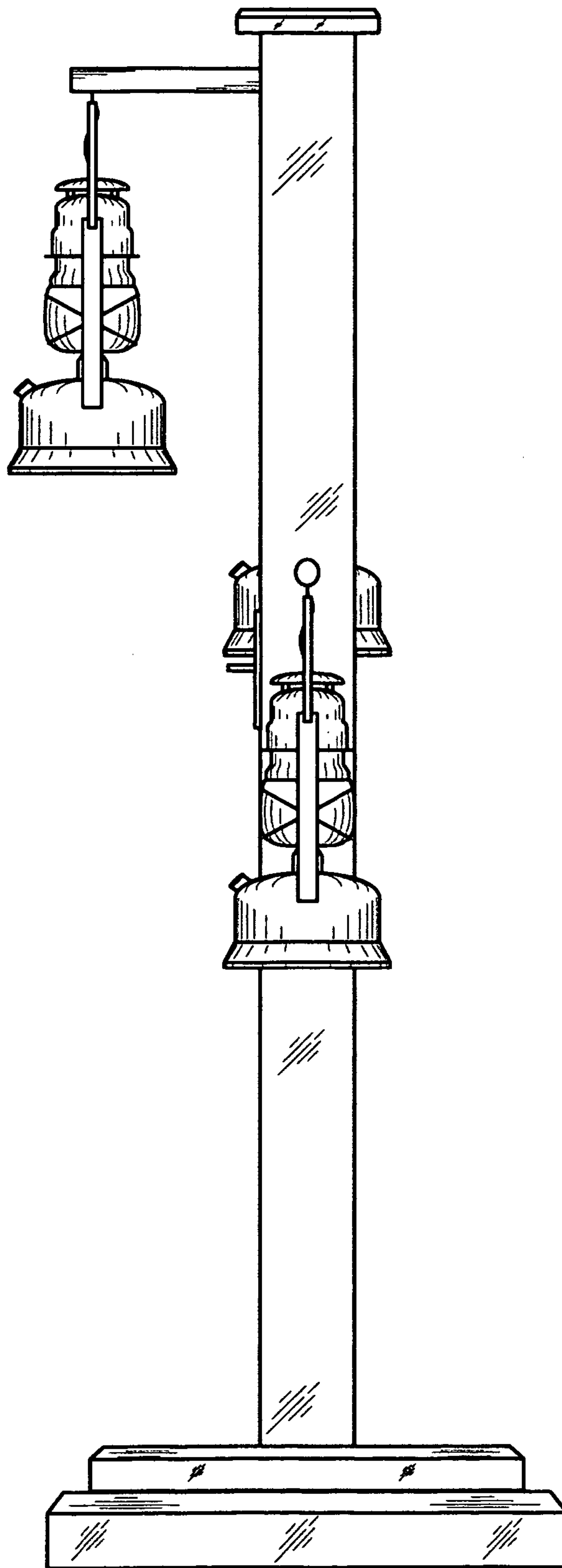


FIG 4

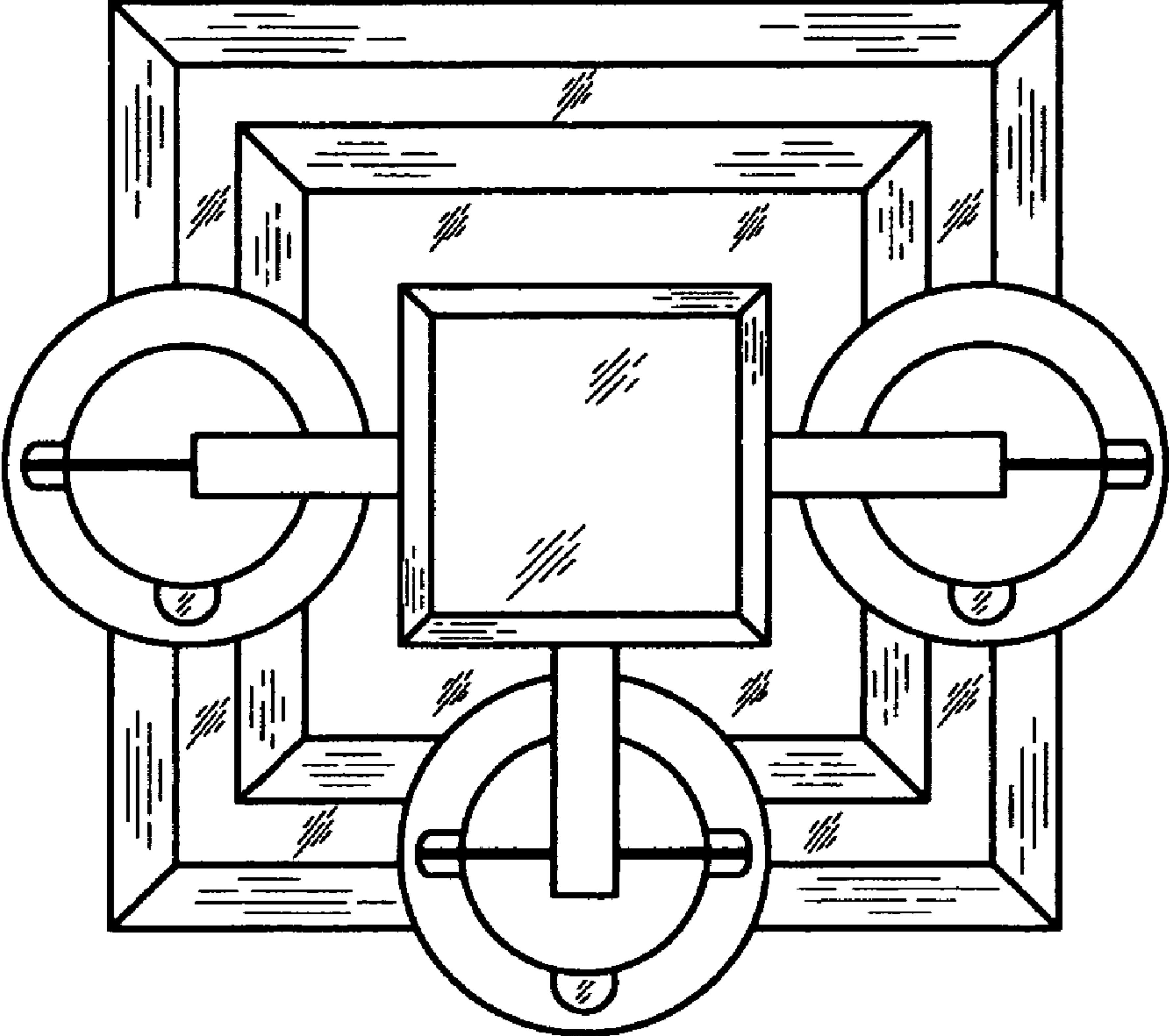


FIG 5

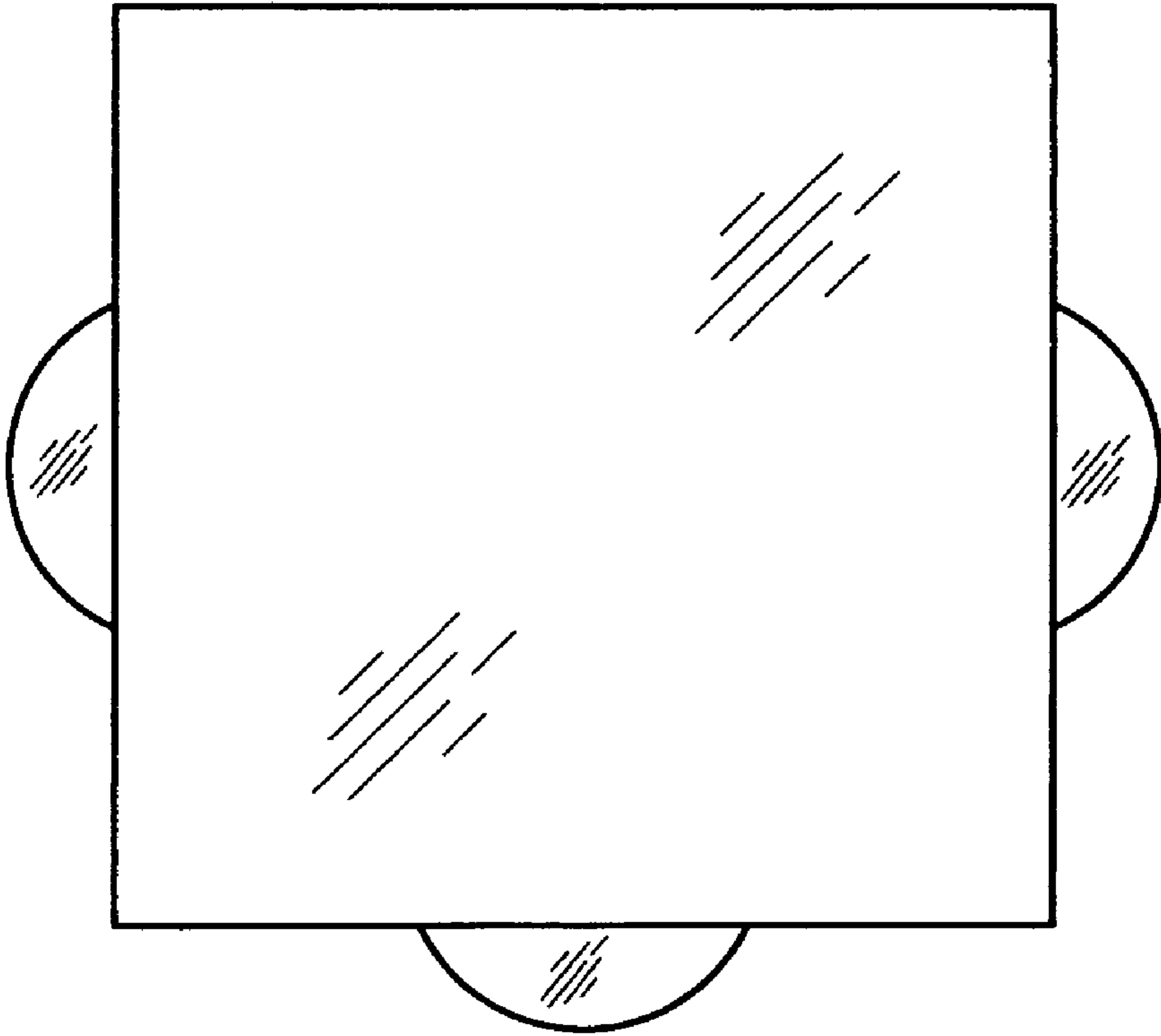


FIG 6