



US00D594587S

(12) **United States Design Patent**
Chen

(10) **Patent No.:** **US D594,587 S**

(45) **Date of Patent:** **** Jun. 16, 2009**

(54) **SOLAR POWERED OUTDOOR LIGHT
FIXTURE**

D533,293 S * 12/2006 Chen D26/67

(76) Inventor: **Chi Gon Chen**, c/o International
Development Corp., 899 Henrietta Dr.,
Roanoke, TX (US) 76262-6309

* cited by examiner

Primary Examiner—Clare E Heflin

(**) Term: **14 Years**

(57) **CLAIM**

(21) Appl. No.: **29/273,093**

I claim the ornamental design for a solar powered outdoor
light fixture, as shown and described.

(22) Filed: **Feb. 27, 2007**

DESCRIPTION

(51) **LOC (9) Cl.** **26-05**

FIG. 1 is a perspective view;

(52) **U.S. Cl.** **D26/67**

FIG. 2 is a right side elevational view;

(58) **Field of Classification Search** D26/67-71,
D26/133-135; D22/123; 362/152, 183,
362/431

FIG. 3 is a left side elevational view;

FIG. 4 is a rear elevational view;

FIG. 5 is a front elevational view;

See application file for complete search history.

FIG. 6 is a top plan view; and,

FIG. 7 is a bottom plan view.

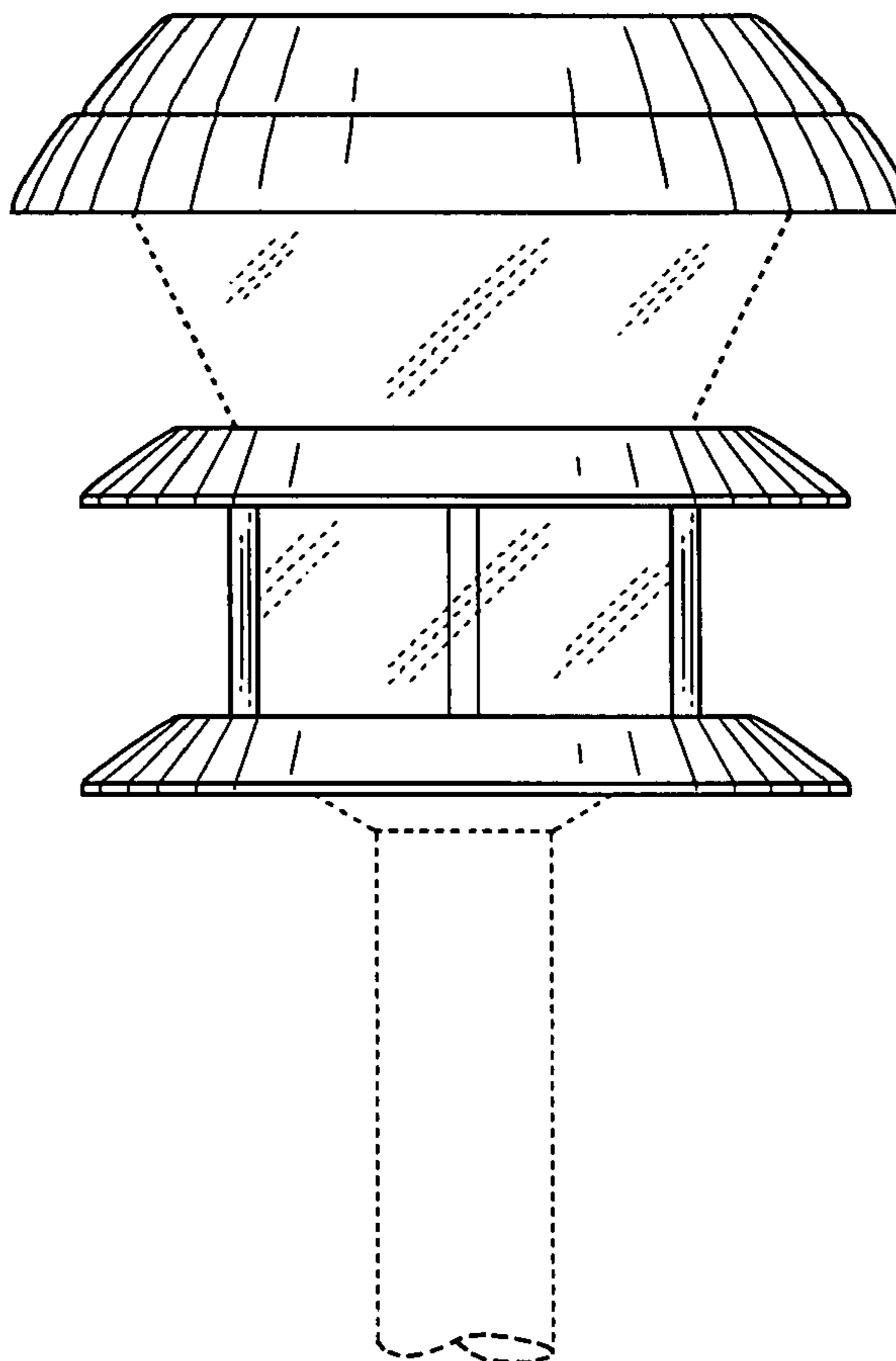
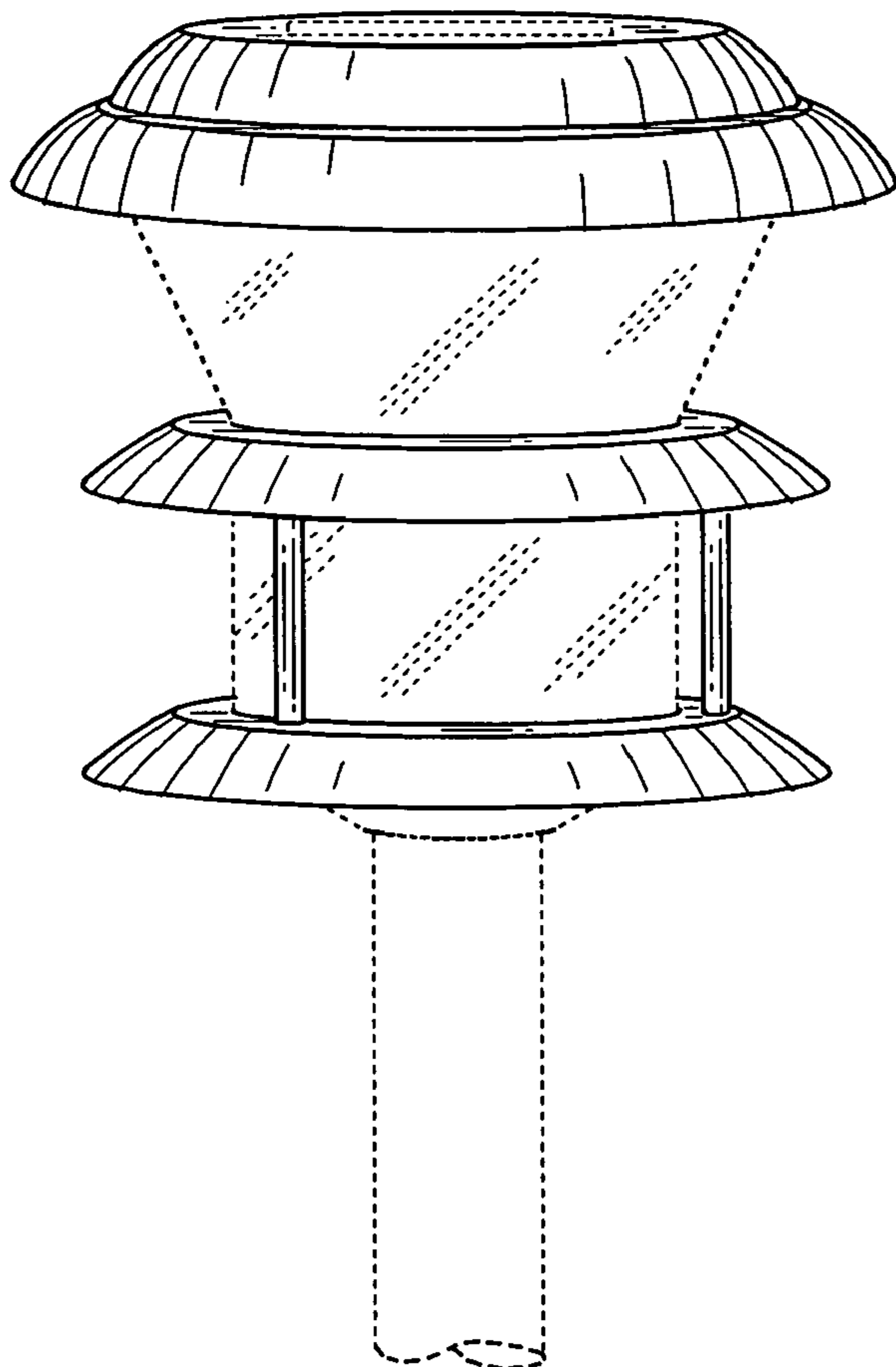
(56) **References Cited**

The broken lines shown on the drawings are for illustrative
purposes only and form no part of the claimed design.

U.S. PATENT DOCUMENTS

- D492,055 S * 6/2004 Hon et al. D26/67
- D518,219 S * 3/2006 Bucher et al. D26/67
- D528,243 S * 9/2006 Bucher et al. D26/68

1 Claim, 4 Drawing Sheets



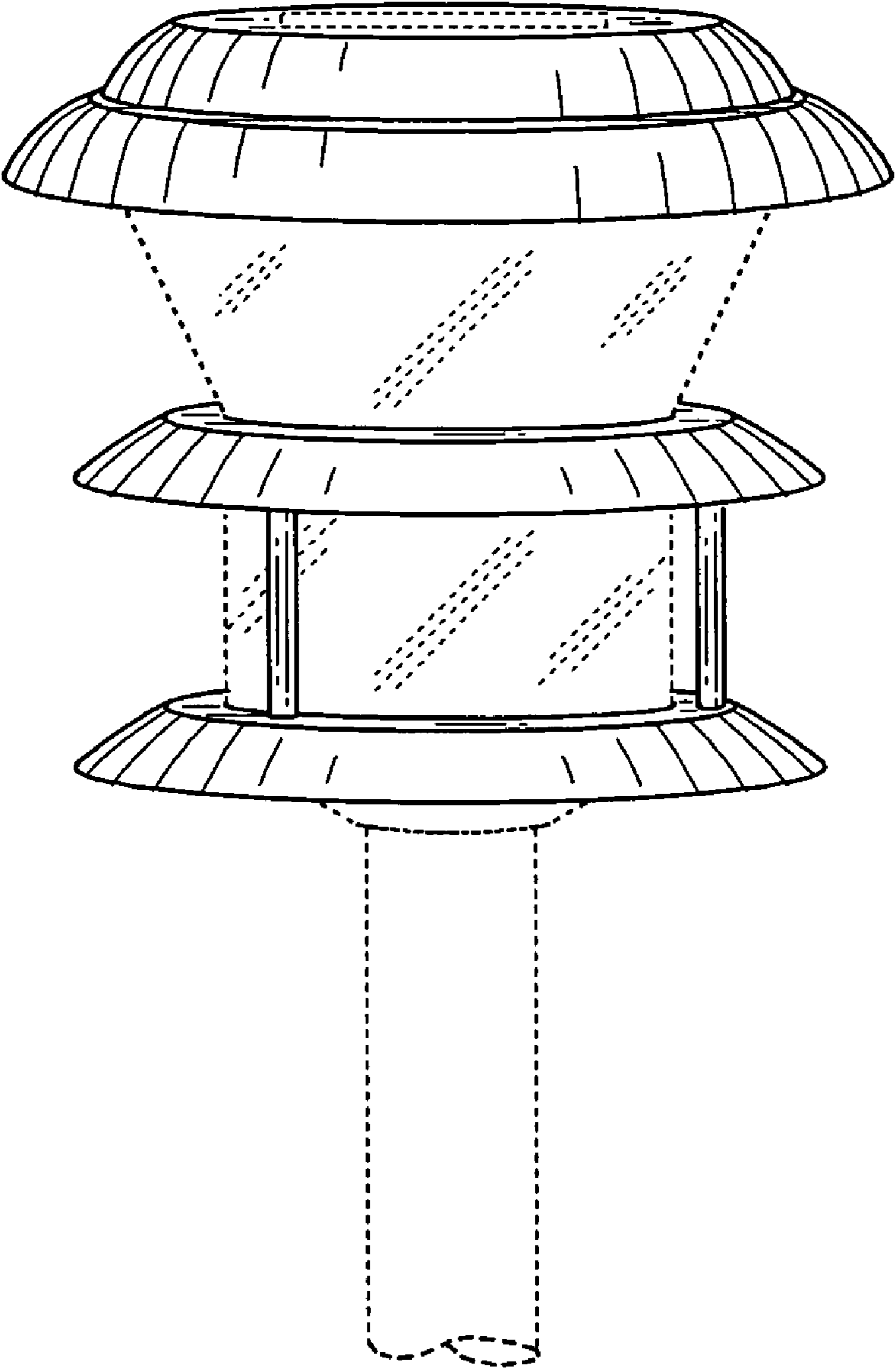


Fig. 1

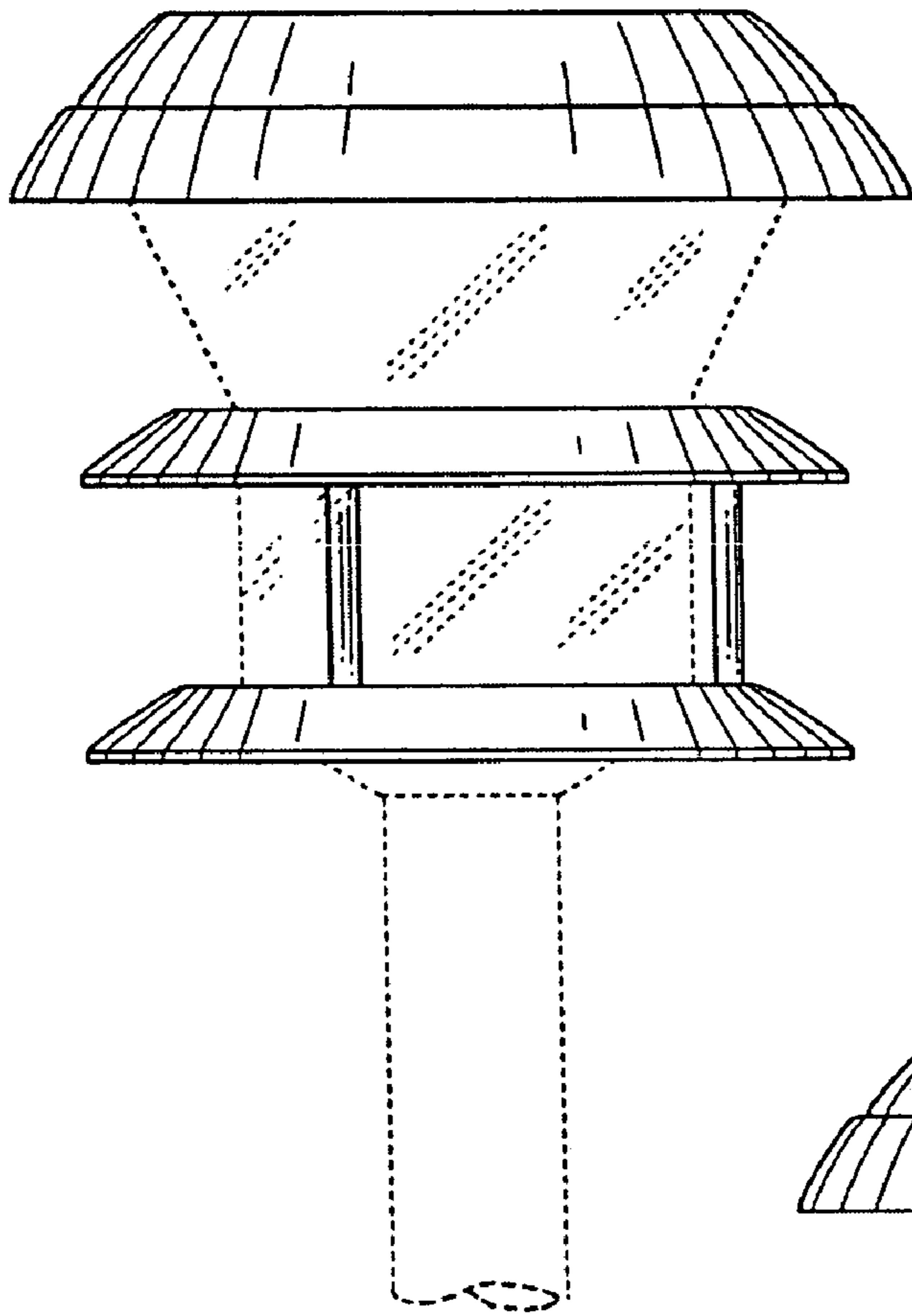


Fig. 2

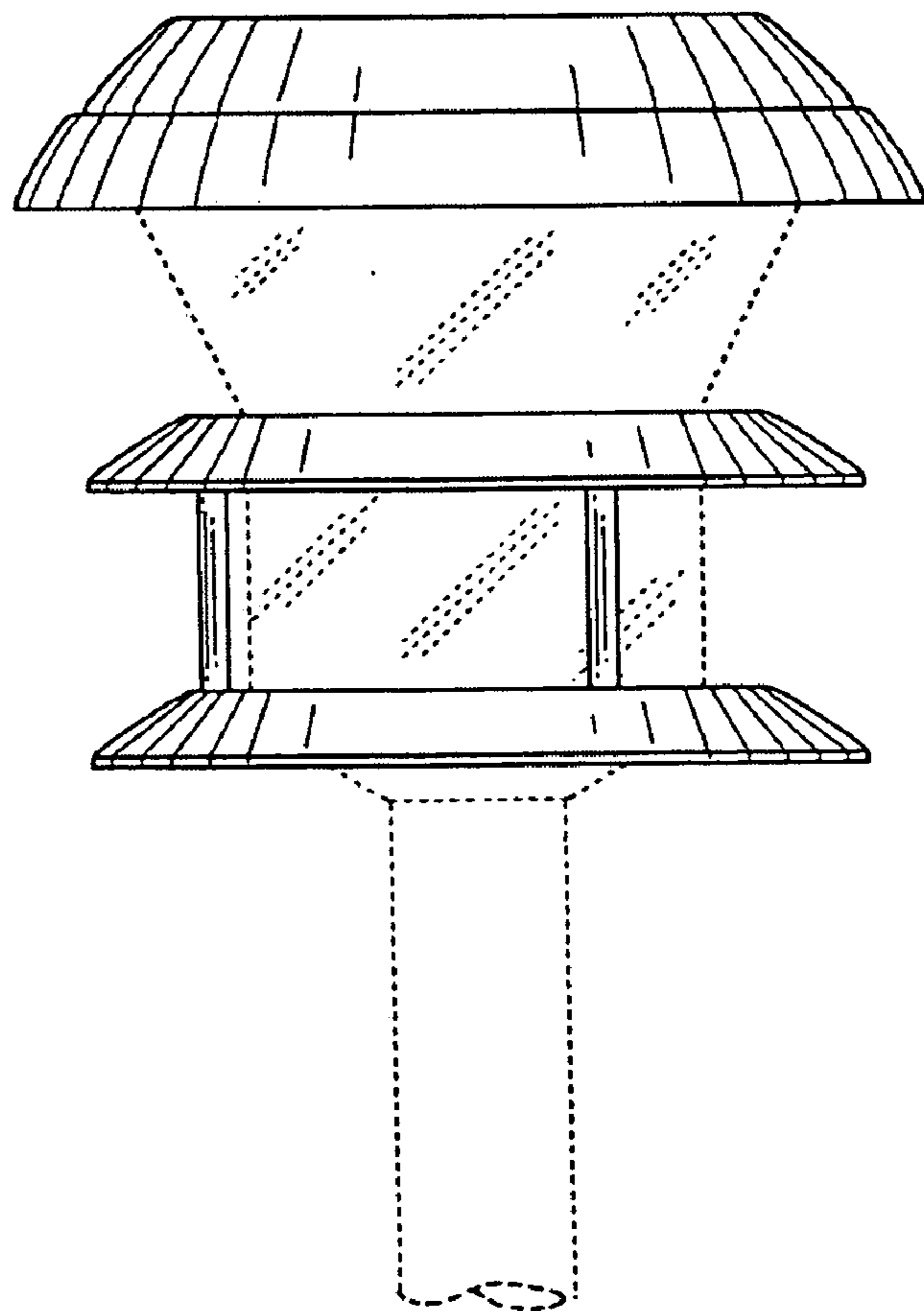


Fig. 3

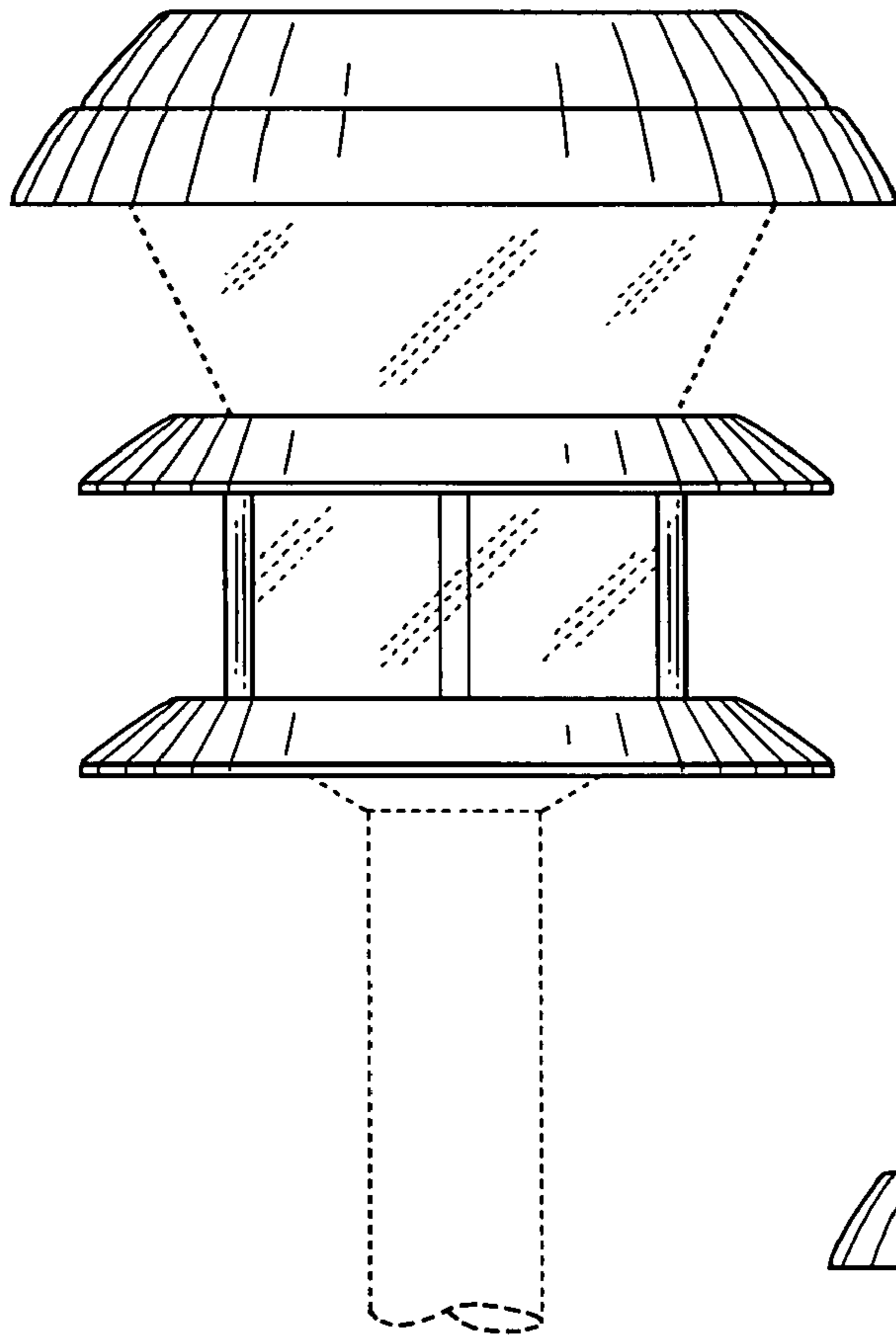


Fig. 4

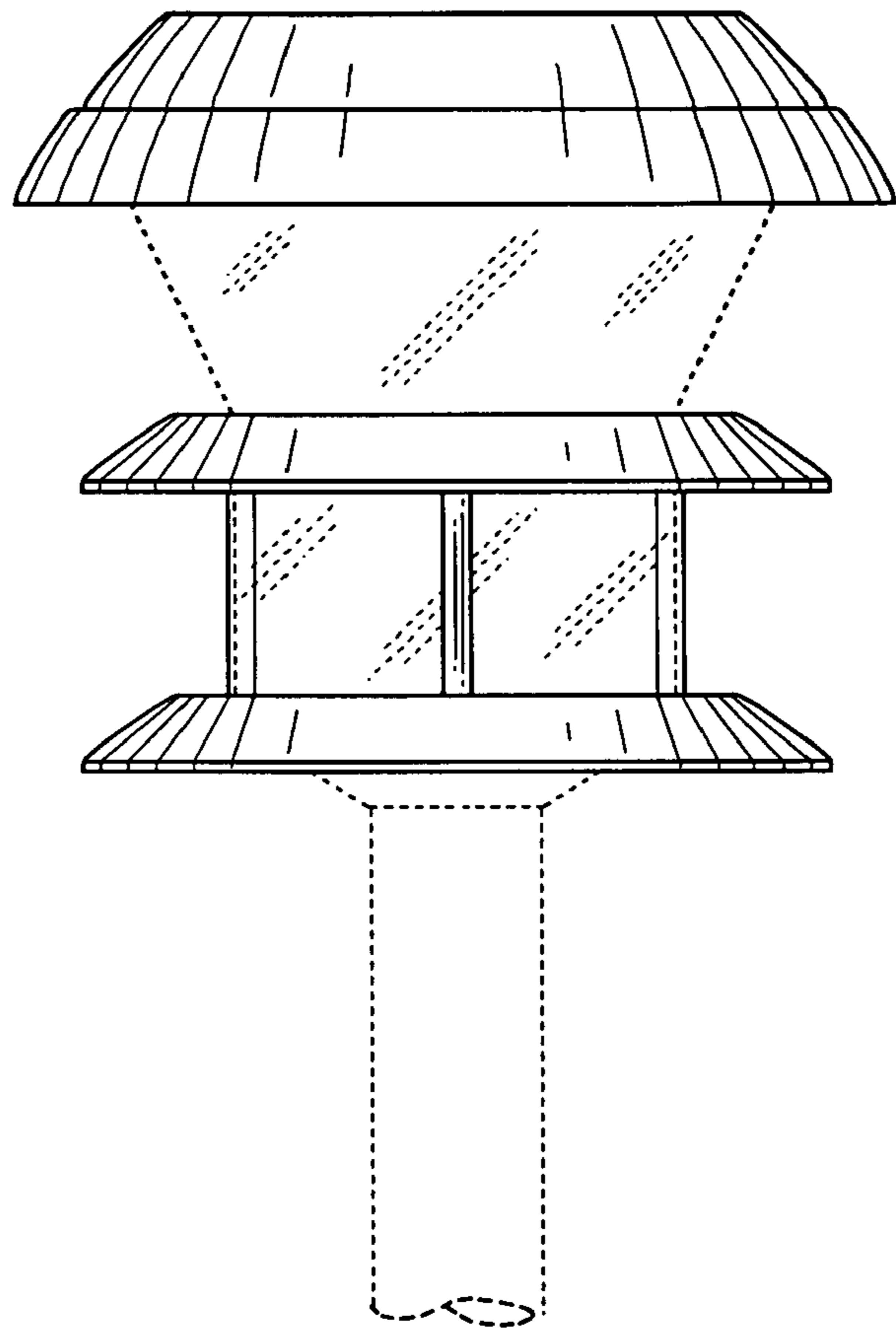


Fig. 5

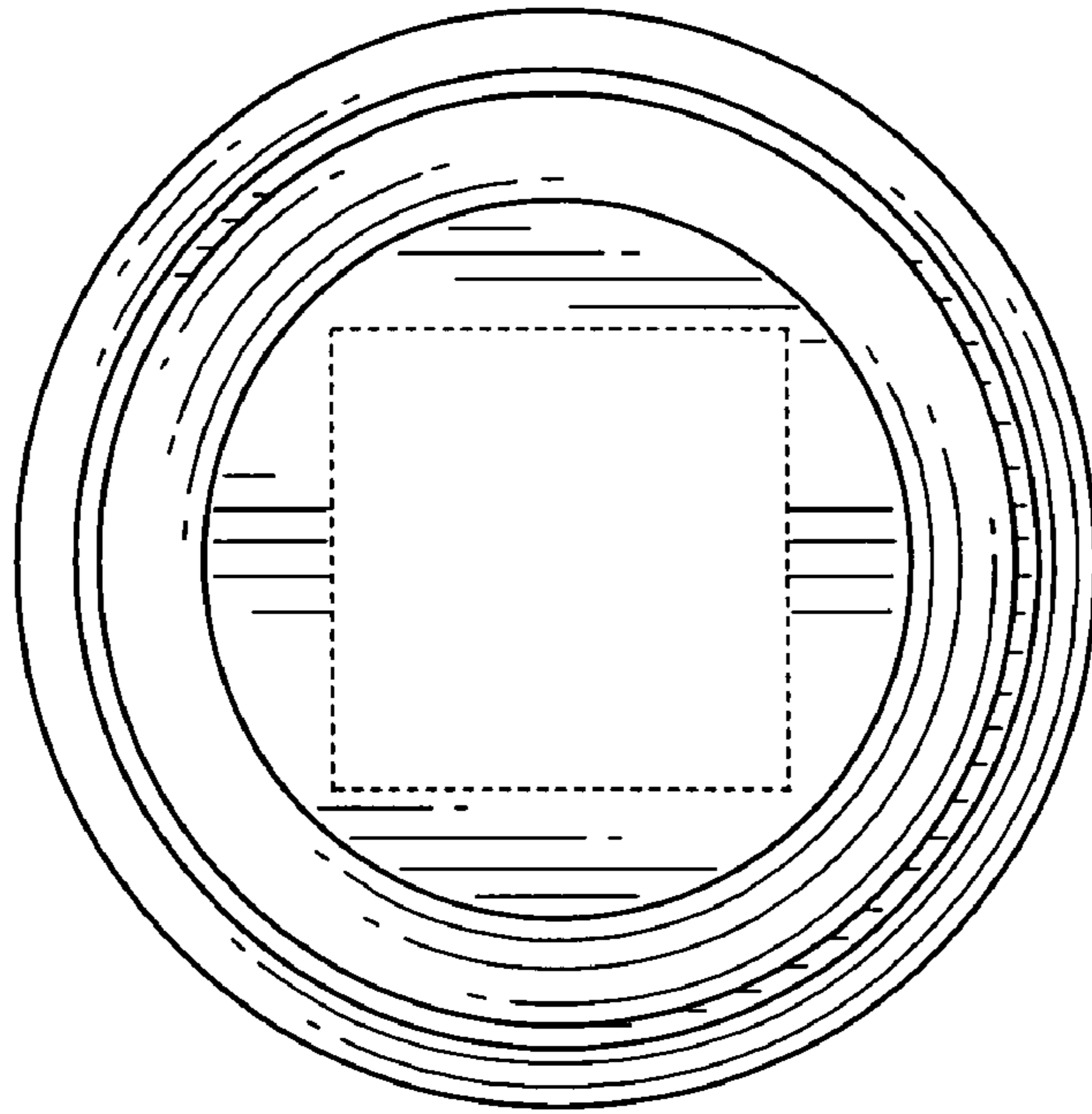


Fig. 6

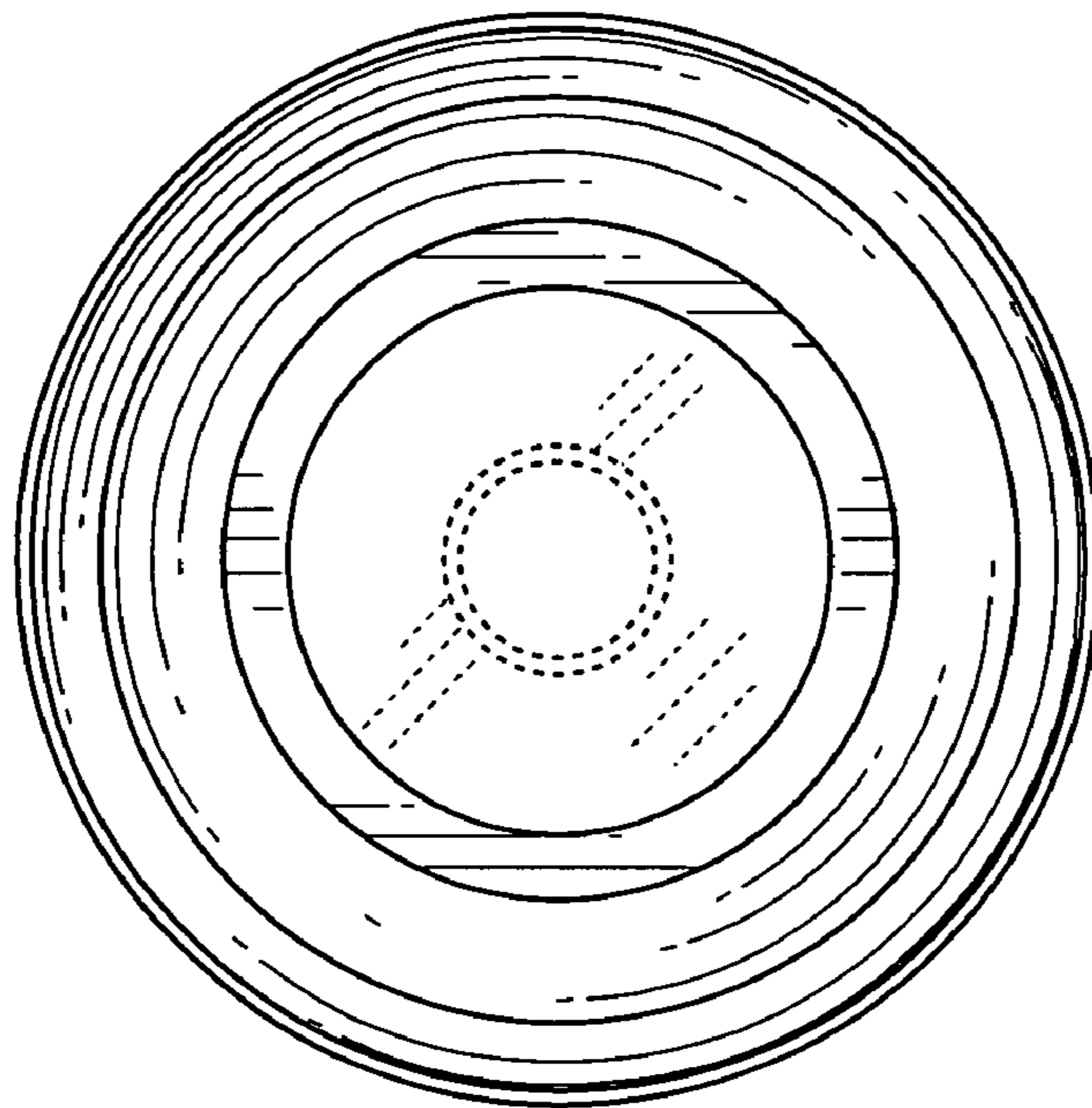


Fig. 7