

US00D594586S

(12) **United States Design Patent**
Chen

(10) **Patent No.:** **US D594,586 S**

(45) **Date of Patent:** **** Jun. 16, 2009**

(54) **LENS FOR OUTDOOR LIGHT FIXTURE**

(76) **Inventor:** **Chi Gon Chen**, c/o International Development Corp., 899 Henrietta Drive, Roanoke, TX (US) 76262-6309

(**) **Term:** **14 Years**

(21) **Appl. No.:** **29/273,092**

(22) **Filed:** **Feb. 27, 2007**

(51) **LOC (9) Cl.** **26-05**

(52) **U.S. Cl.** **D26/67; D26/135**

(58) **Field of Classification Search** D26/67-71,
D26/133-135; D22/123; 362/152, 183,
362/431

See application file for complete search history.

(56) **References Cited**

U.S. PATENT DOCUMENTS

- D199,144 S * 9/1964 Daum D26/67
- D284,311 S * 6/1986 Patel D26/67
- D371,627 S * 7/1996 Jaspers-Fayer D26/133

- D391,667 S * 3/1998 Miranda D26/133
- D435,313 S * 12/2000 Dolan D26/134
- D532,141 S * 11/2006 Chen D26/67

* cited by examiner

Primary Examiner—Clare E Heflin

(57) **CLAIM**

The ornamental design for a lens for an outdoor light fixture, as shown and described.

DESCRIPTION

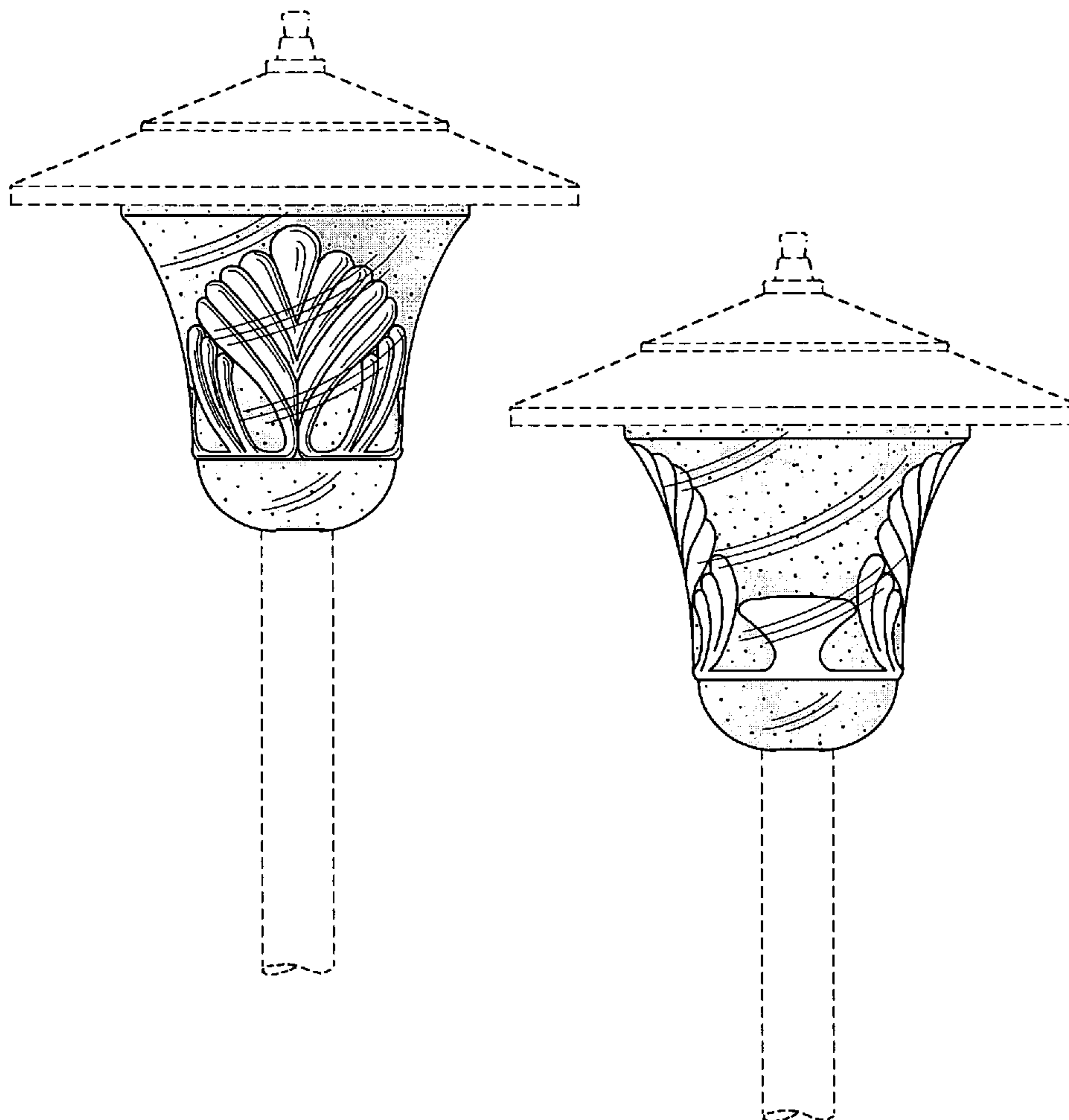
FIG. 1 is a front elevational view, the rear elevational view being the same;

FIG. 2 is a left side elevational view, the right side elevational being the same; and,

FIG. 3 is a bottom plan view, the top plan view forming no part of the design.

The broken lines shown on the drawings are for illustrative purposes only and form no part of the claimed design.

1 Claim, 2 Drawing Sheets



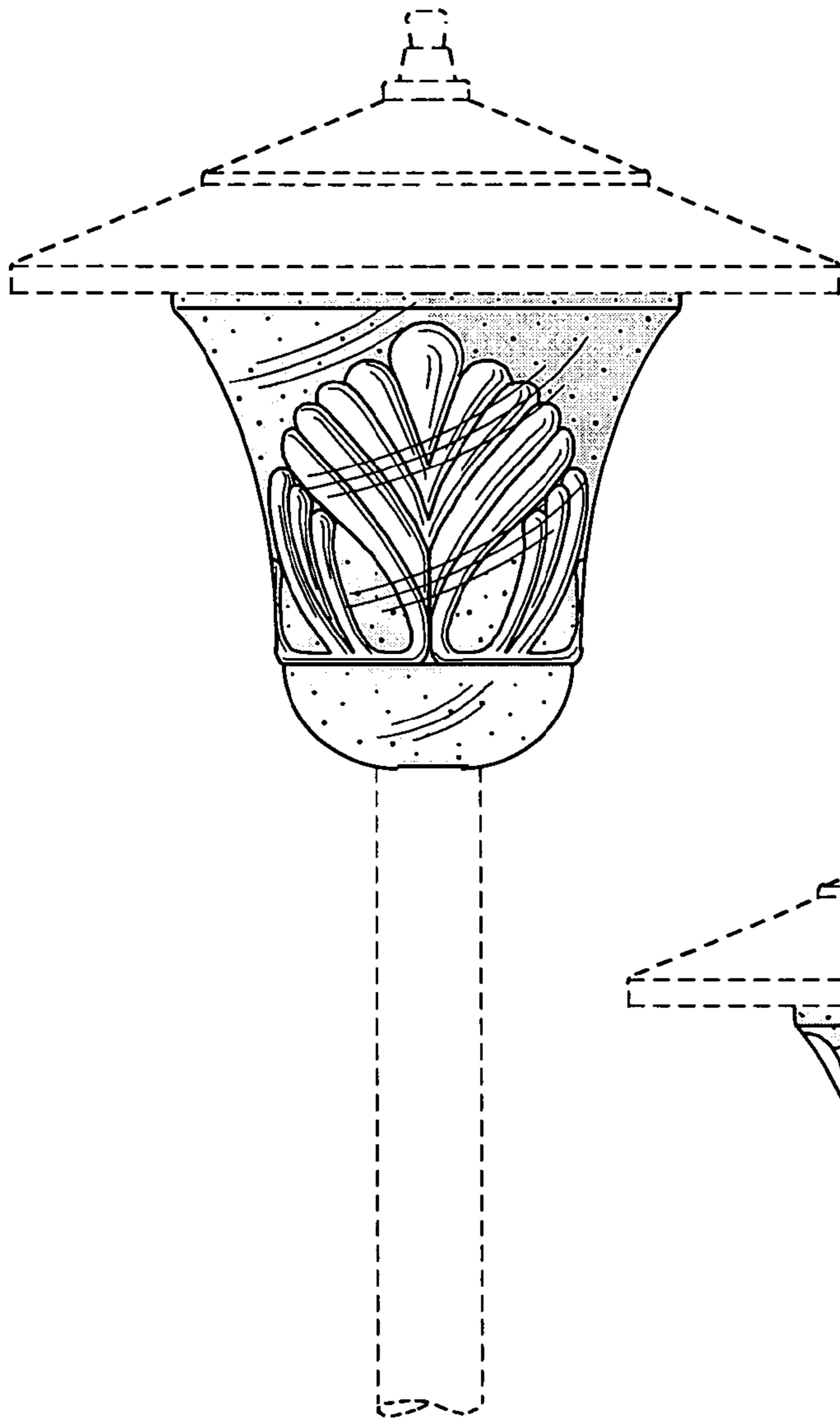


Fig. 1

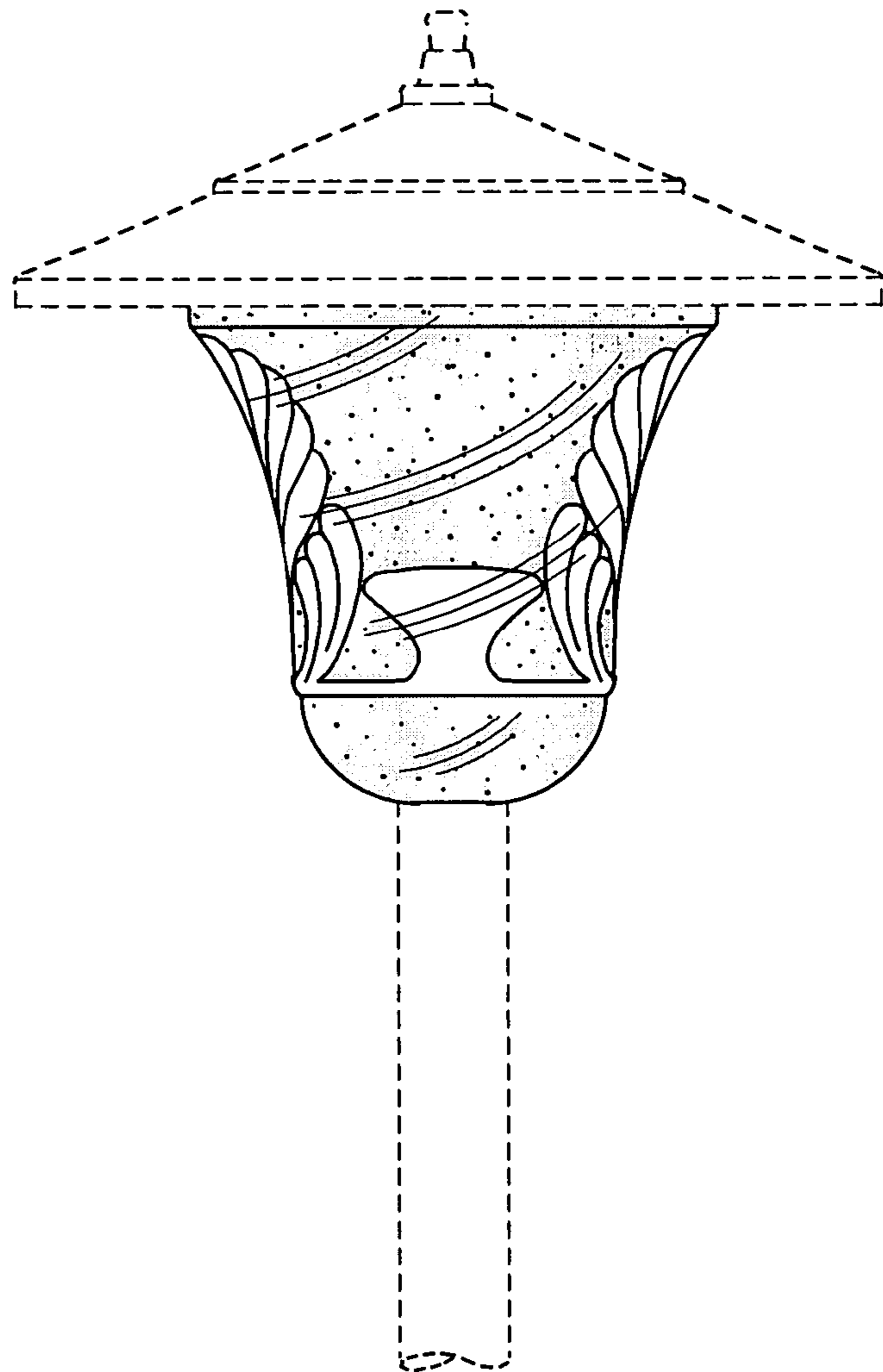


Fig. 2

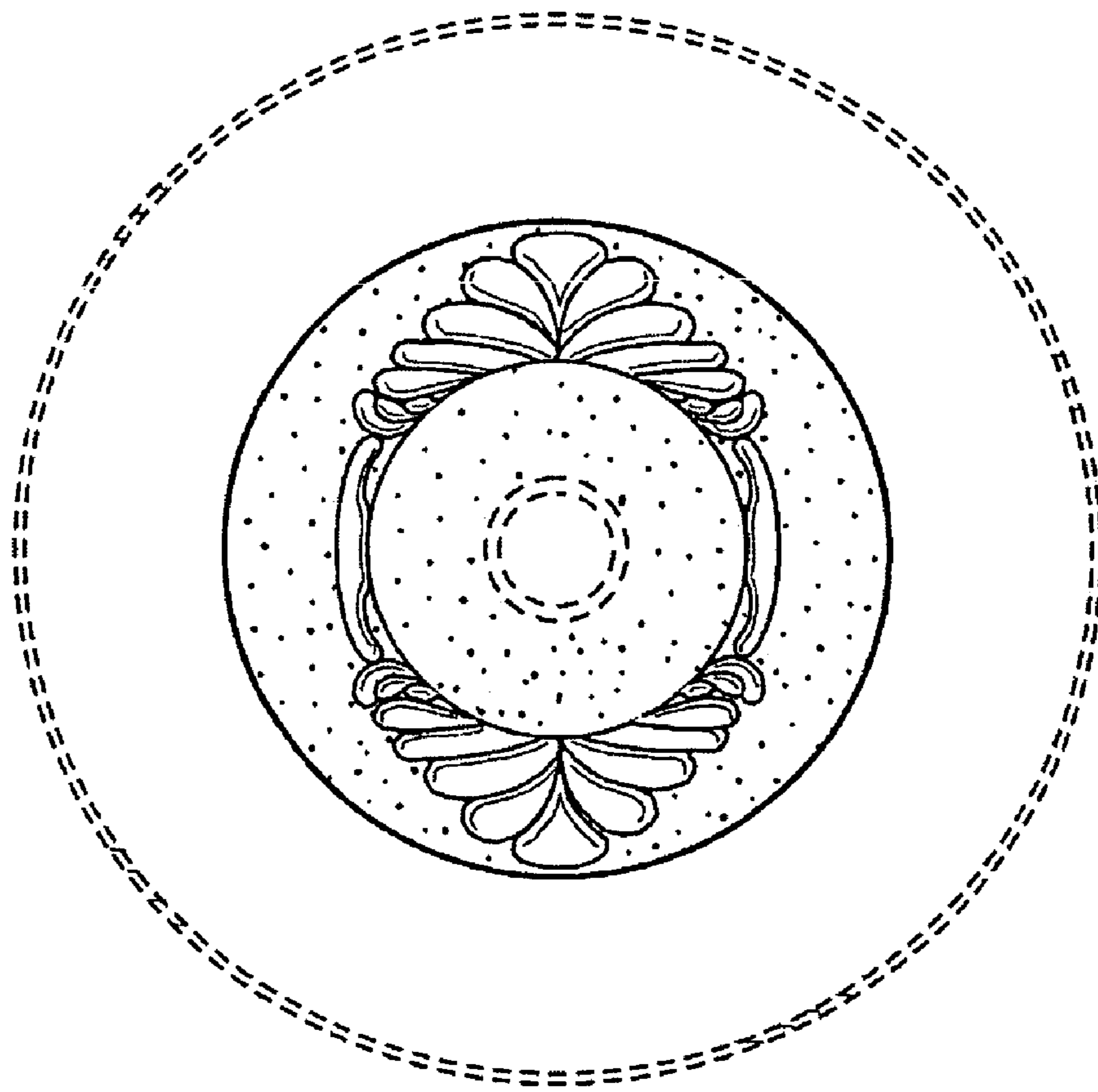


Fig. 3