



US00D594585S

(12) **United States Design Patent**  
**Chef**

(10) **Patent No.:** **US D594,585 S**  
(45) **Date of Patent:** **\*\* Jun. 16, 2009**

(54) **ILLUMINATED FENCE**

D508,581 S \* 8/2005 Cheong et al. .... D26/68  
D517,232 S \* 3/2006 Chen ..... D26/67  
D535,405 S \* 1/2007 Stein et al. .... D25/38

(75) Inventor: **Dennis G. Chef**, North Lima, OH (US)

(73) Assignee: **HSN Improvements LLC**, St. Petersburg, FL (US)

(\*\*) Term: **14 Years**

\* cited by examiner

*Primary Examiner*—Ian Simmons  
*Assistant Examiner*—Carissa C Fitts

(74) *Attorney, Agent, or Firm*—Kenyon & Kenyon LLP

(21) Appl. No.: **29/300,877**

(22) Filed: **May 23, 2008**

(57) **CLAIM**

The ornamental design for an illuminated fence, as shown and described.

(51) **LOC (9) Cl.** ..... **26-05**

(52) **U.S. Cl.** ..... **D26/51**

(58) **Field of Classification Search** ..... D26/51,  
D26/107, 60–66, 108, 93, 118, 119, 67, 68;  
D25/38–44; 362/157, 158, 194, 197, 198,  
362/190, 191, 202, 208

See application file for complete search history.

**DESCRIPTION**

FIG. 1 is a perspective view of an illuminated fence showing the new design;

FIG. 2 is a front elevational view of the fence of FIG. 1;

FIG. 3 is a right side elevational view of the fence of FIG. 1;

FIG. 4 is a left side elevational view of the fence of FIG. 1;

FIG. 5 is a top plan view view of the fence of FIG. 1; and,

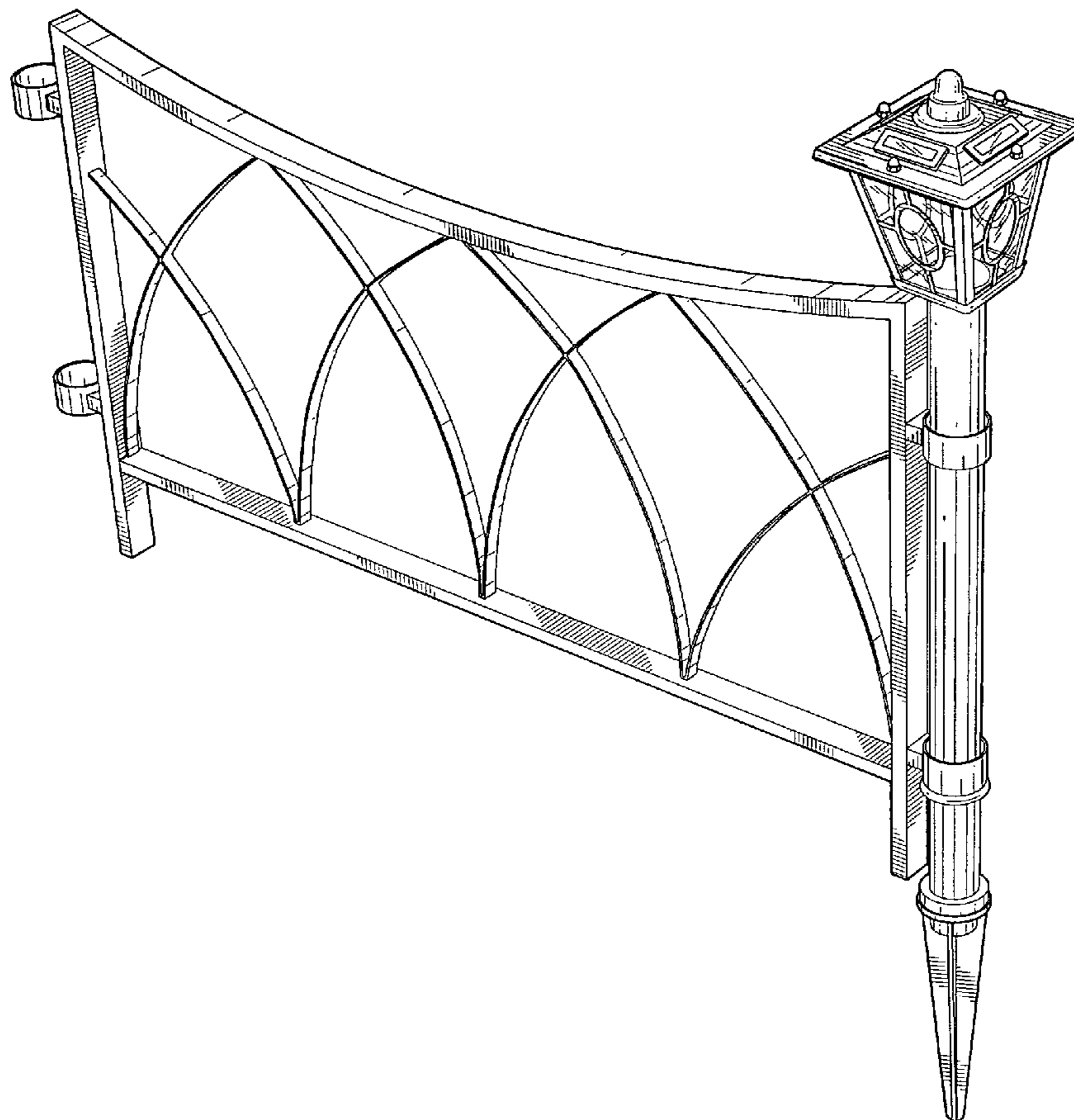
FIG. 6 is an enlarged perspective view of an illuminable top of the illuminated fence of FIG. 1. The illuminable top is shown detached from the rest of the design for ease of illustration.

(56) **References Cited**

U.S. PATENT DOCUMENTS

D170,152 S \* 8/1953 Dunn ..... D26/51  
D217,283 S \* 4/1970 Horton ..... D26/51  
D320,092 S \* 9/1991 Liu ..... D26/68  
D483,895 S \* 12/2003 Kuelbs et al. .... D26/67  
D495,084 S \* 8/2004 Hon et al. .... D26/67

**1 Claim, 4 Drawing Sheets**



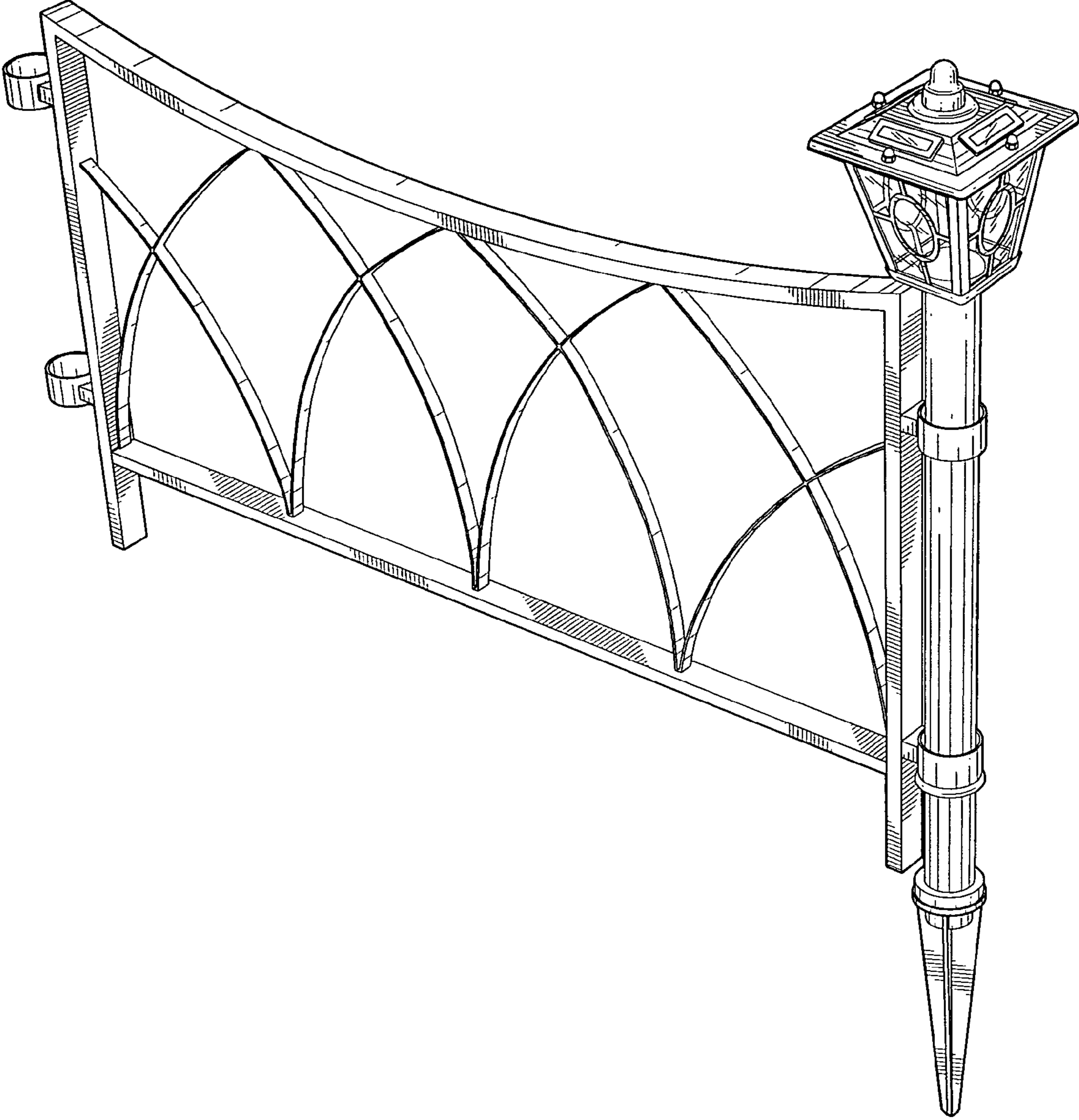


FIG. 1

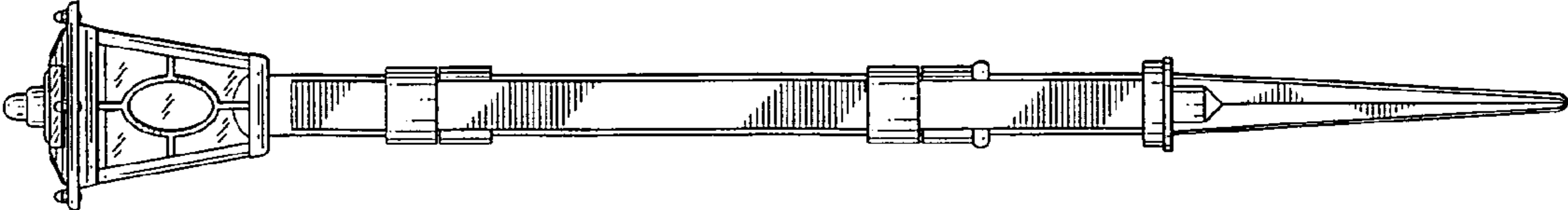


FIG. 3

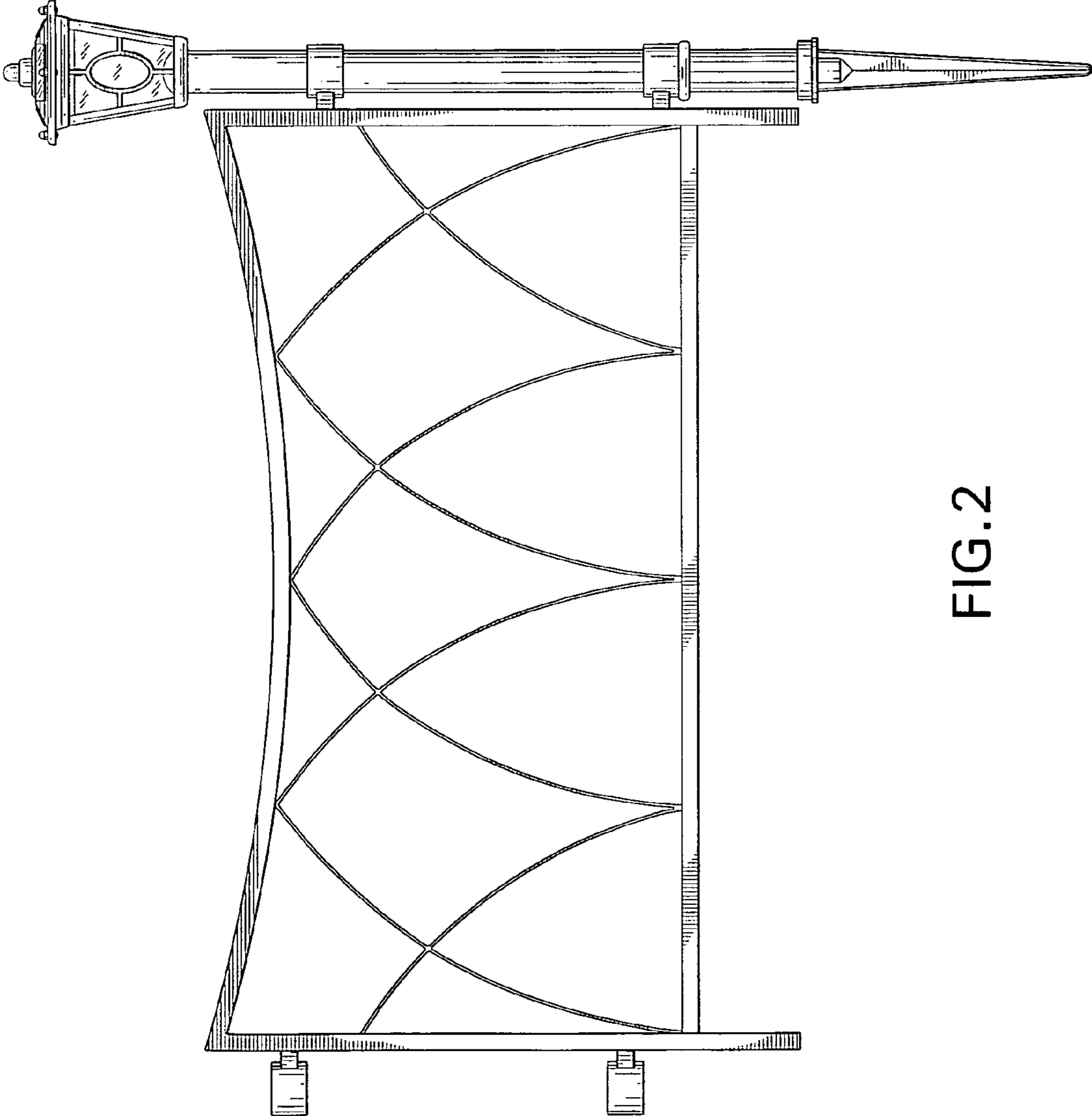


FIG. 2

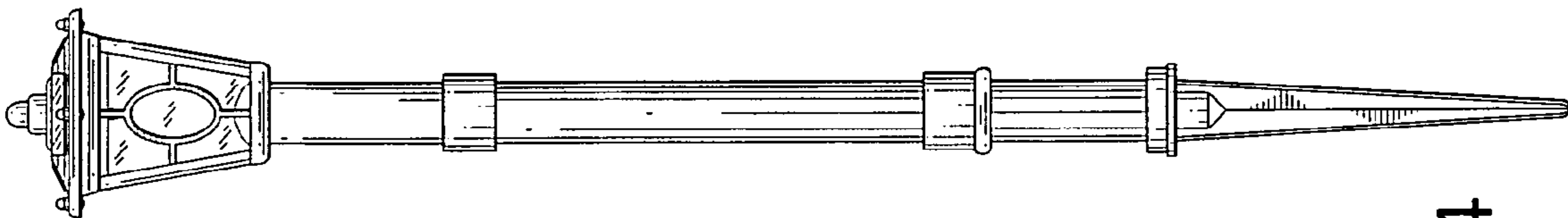


FIG. 4

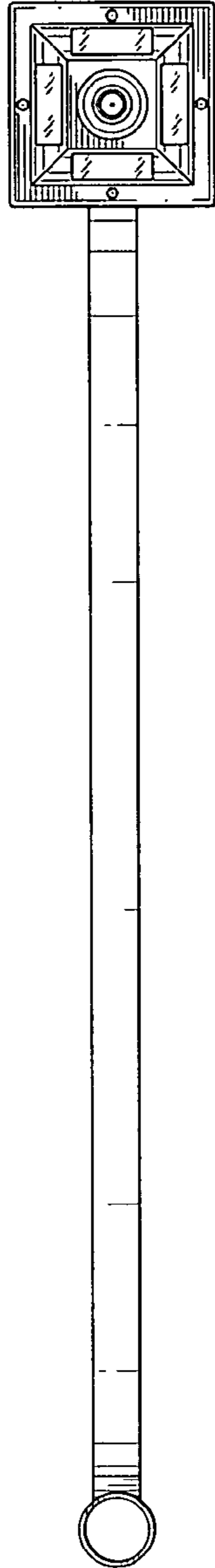


FIG. 5



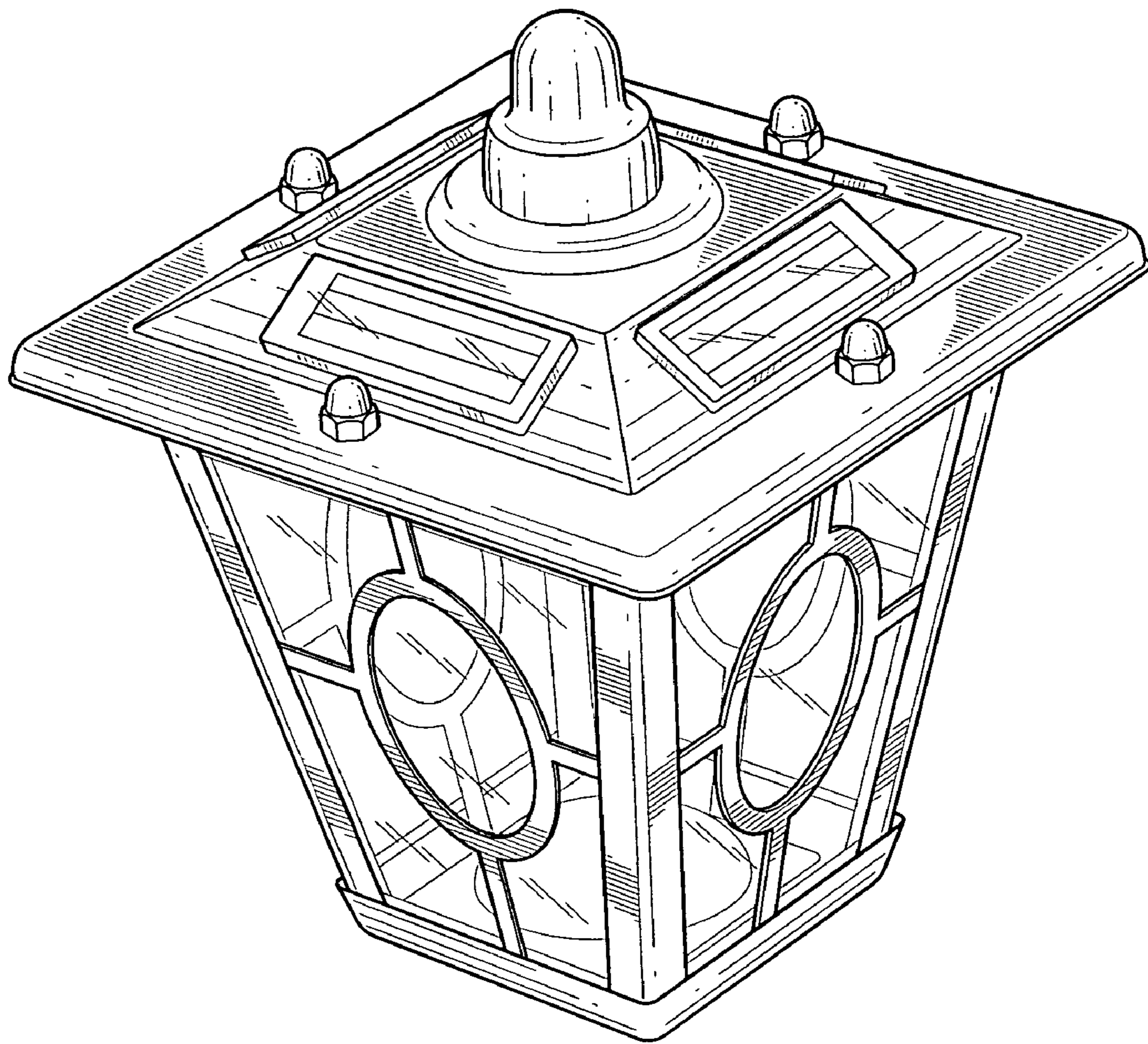


FIG. 6