



US00D594584S

(12) **United States Design Patent**
Yang

(10) **Patent No.:** **US D594,584 S**
(45) **Date of Patent:** **** Jun. 16, 2009**

- (54) **FLASHLIGHT**
 - (75) Inventor: **Rich Yang**, Las Vegas, NV (US)
 - (73) Assignee: **JS Products, Inc.**, Las Vegas, NV (US)
 - (**) Term: **14 Years**
 - (21) Appl. No.: **29/326,849**
 - (22) Filed: **Oct. 24, 2008**
 - (51) **LOC (9) Cl.** **26-02**
 - (52) **U.S. Cl.** **D26/49**
 - (58) **Field of Classification Search** D26/37,
D26/46, 49; 362/157, 158, 183, 184, 194-196,
362/200-208
- See application file for complete search history.

- 5,267,131 A 11/1993 Anthony
- 5,293,307 A 3/1994 Maglica
- 5,314,494 A 5/1994 Maglica
- 5,349,506 A 9/1994 Maglica
- D351,675 S 10/1994 Sharrah et al.
- 5,390,091 A 2/1995 Maglica
- 5,410,237 A 4/1995 Sharrah et al.
- 5,432,689 A 7/1995 Sharrah et al.
- 5,455,752 A 10/1995 Maglica et al.
- 5,485,360 A 1/1996 Maglica
- 5,486,432 A 1/1996 Sharrah et al.
- 5,515,246 A 5/1996 Maglica
- 5,528,472 A 6/1996 Maglica et al.
- 5,548,495 A 8/1996 Maglica
- 5,593,222 A 1/1997 Maglica
- 5,660,363 A 8/1997 Maglica

(Continued)

(56) **References Cited**

U.S. PATENT DOCUMENTS

- 4,286,311 A 8/1981 Maglica
- D263,170 S 2/1982 Maglica
- 4,388,673 A 6/1983 Maglica
- 4,527,223 A 7/1985 Maglica
- 4,577,263 A 3/1986 Maglica
- 4,656,565 A 4/1987 Maglica
- 4,658,336 A 4/1987 Maglica
- 4,819,141 A 4/1989 Maglica
- 4,843,298 A 6/1989 Brauch et al.
- 4,851,974 A 7/1989 Maglica
- D303,107 S 8/1989 Maglica
- 4,864,474 A 9/1989 Maglica
- 4,899,265 A 2/1990 Maglica
- 4,942,505 A 7/1990 Maglica
- 5,003,440 A 3/1991 Maglica
- 5,008,785 A 4/1991 Maglica
- 5,113,326 A 5/1992 Maglica
- 5,121,308 A 6/1992 Maglica
- 5,143,441 A 9/1992 Maglica
- 5,158,358 A 10/1992 Maglica
- 5,165,782 A 11/1992 Maglica
- 5,207,502 A 5/1993 Maglica
- 5,226,722 A 7/1993 Maglica et al.
- 5,260,858 A 11/1993 Maglica et al.
- 5,267,130 A 11/1993 Maglica

OTHER PUBLICATIONS

United States Trademark Registration No. 2,687,693.

Primary Examiner—Ian Simmons
Assistant Examiner—Carissa C Fitts
(74) *Attorney, Agent, or Firm*—Luce Forward Hamilton & Scripps, LLP; Technology Law Group; Peter Jon Gluck

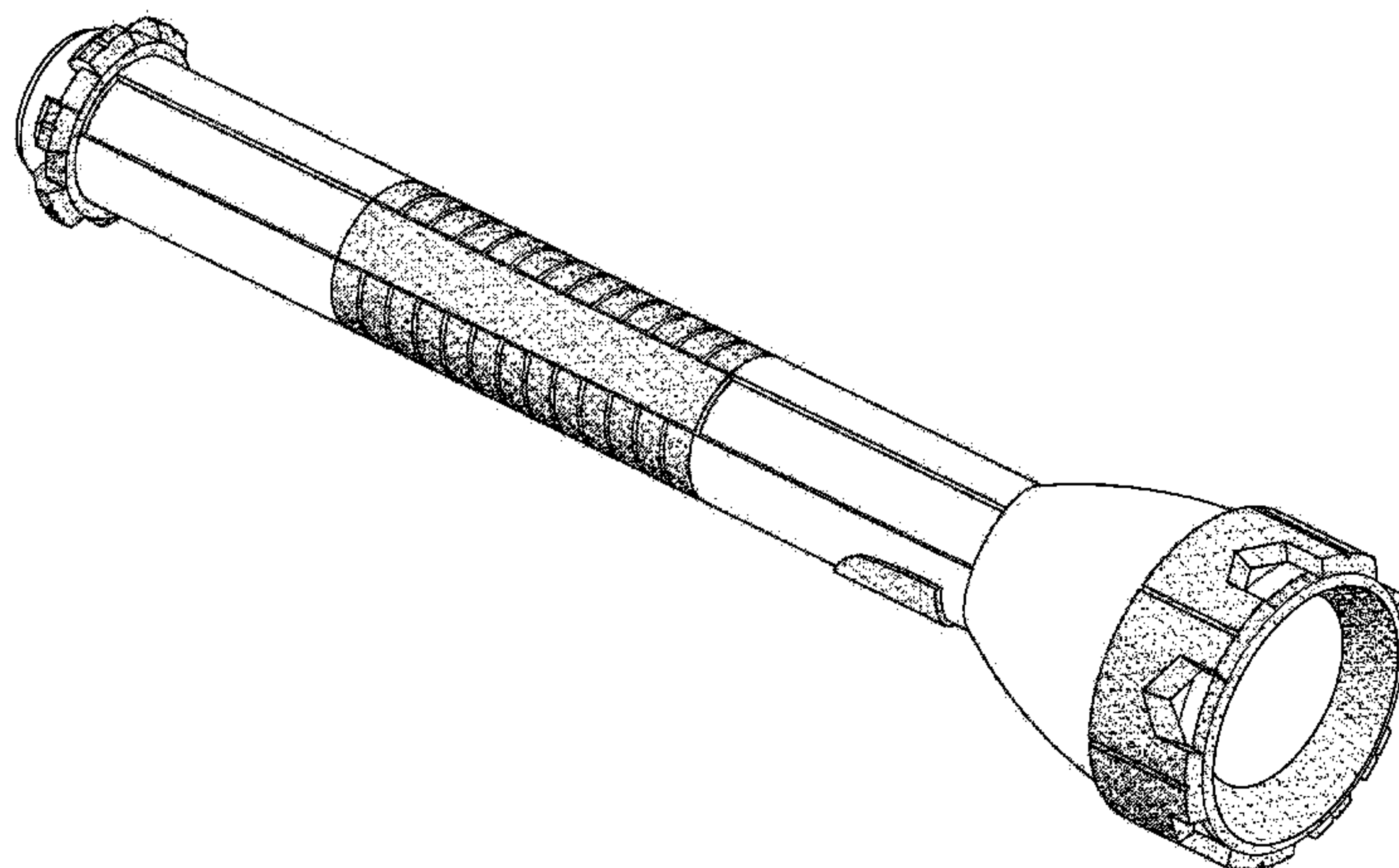
(57) **CLAIM**

The ornamental design for flashlight, as shown.

DESCRIPTION

FIG. 1 is a perspective view of a flashlight showing my new design;
FIG. 2 is a rear view thereof;
FIG. 3 is a front view thereof;
FIG. 4 is a left side elevational view thereof;
FIG. 5 is a right side elevational view thereof;
FIG. 6 is a top plan view thereof; and,
FIG. 7 is a bottom plan view thereof.
The broken line showing of the flashlight designs is for illustrative purposes only and forms no part of the claimed design.

1 Claim, 3 Drawing Sheets



US D594,584 S

Page 2

| U.S. PATENT DOCUMENTS | | | | | |
|-----------------------|---------|---------------------------|---------------------|---------|----------------------------|
| 5,667,185 A | 9/1997 | Maglica | 6,454,433 B1 | 9/2002 | Alessio |
| 5,684,378 A | 11/1997 | Furth et al. | 6,457,840 B2 | 10/2002 | Maglica et al. |
| 5,722,765 A | 3/1998 | Maglica | 6,523,972 B2 | 2/2003 | Sharrah |
| 5,749,645 A | 5/1998 | Maglica | 6,554,449 B2 | 4/2003 | Maglica |
| D395,719 S | 6/1998 | Concari | 6,575,592 B2 | 6/2003 | Maglica |
| D395,722 S | 6/1998 | Howard et al. | 6,585,391 B1 | 7/2003 | Koch et al. |
| 5,795,675 A | 8/1998 | Maglica | 6,588,917 B1 | 7/2003 | Halasz |
| 5,804,331 A | 9/1998 | Maglica | D481,816 S * | 11/2003 | Sharrah et al. D26/49 |
| 5,806,965 A | 9/1998 | Deese | 6,652,115 B2 | 11/2003 | Sharrah |
| 5,833,354 A | 11/1998 | Maglica | 6,659,621 B2 | 12/2003 | Sharrah et al. |
| 5,836,672 A | 11/1998 | Maglica | 6,722,772 B2 | 4/2004 | Maglica |
| 5,860,728 A | 1/1999 | Maglica | 6,733,152 B2 | 5/2004 | Maglica |
| 5,865,526 A | 2/1999 | Maglica | 6,802,624 B2 | 10/2004 | Maglica |
| 5,871,272 A | 2/1999 | Sharrah et al. | 6,802,625 B2 | 10/2004 | Maglica |
| 5,957,567 A | 9/1999 | Kish et al. | D498,865 S | 11/2004 | Mah |
| 6,012,824 A | 1/2000 | Sharrah et al. | 6,814,463 B2 | 11/2004 | Mele |
| 6,086,219 A | 7/2000 | Maglica | 6,817,730 B2 | 11/2004 | Sharrah et al. |
| D431,085 S * | 9/2000 | Poon D26/49 | 6,905,223 B2 | 6/2005 | Halasz |
| 6,135,611 A | 10/2000 | Maglica | 6,991,360 B2 | 1/2006 | Maglica |
| 6,145,997 A | 11/2000 | Sedovic et al. | 7,001,041 B2 | 2/2006 | Halasz et al. |
| 6,168,288 B1 | 1/2001 | St. Claire | 7,001,043 B2 | 2/2006 | Maglica |
| 6,170,960 B1 | 1/2001 | Maglica | 7,004,042 B2 | 2/2006 | Grundmann et al. |
| 6,179,438 B1 | 1/2001 | Parker | D523,163 S | 6/2006 | Man |
| 6,183,105 B1 | 2/2001 | Parker | 7,070,296 B2 | 7/2006 | Maglica |
| 6,186,641 B1 | 2/2001 | Parker | D530,438 S | 10/2006 | Maglica |
| 6,193,388 B1 | 2/2001 | Halasz et al. | D530,439 S | 10/2006 | Maglica |
| 6,193,389 B1 | 2/2001 | Maglica | 7,125,140 B2 | 10/2006 | Koch et al. |
| RE37,092 E | 3/2001 | Sharrah et al. | D533,290 S | 12/2006 | Lo et al. |
| 6,196,698 B1 | 3/2001 | Maglica | D542,448 S * | 5/2007 | Wang D26/49 |
| 6,206,549 B1 | 3/2001 | Li | D544,123 S | 6/2007 | Galli |
| 6,250,771 B1 | 6/2001 | Sharrah et al. | D553,776 S * | 10/2007 | Liu D26/49 |
| 6,296,368 B1 | 10/2001 | Maglica et al. | D555,267 S * | 11/2007 | Lin D26/49 |
| 6,345,900 B2 | 2/2002 | Maglica | D557,845 S * | 12/2007 | Yang D26/49 |
| 6,354,715 B1 | 3/2002 | Halasz et al. | D577,451 S * | 9/2008 | Shiu D26/49 |
| 6,361,183 B1 | 3/2002 | Maglica | D579,595 S * | 10/2008 | Shiu D26/49 |
| 6,428,182 B1 | 8/2002 | Maglica | 2006/0012006 A1 | 1/2006 | West |
| D463,594 S * | 9/2002 | Cheong et al. D26/49 | * cited by examiner | | |

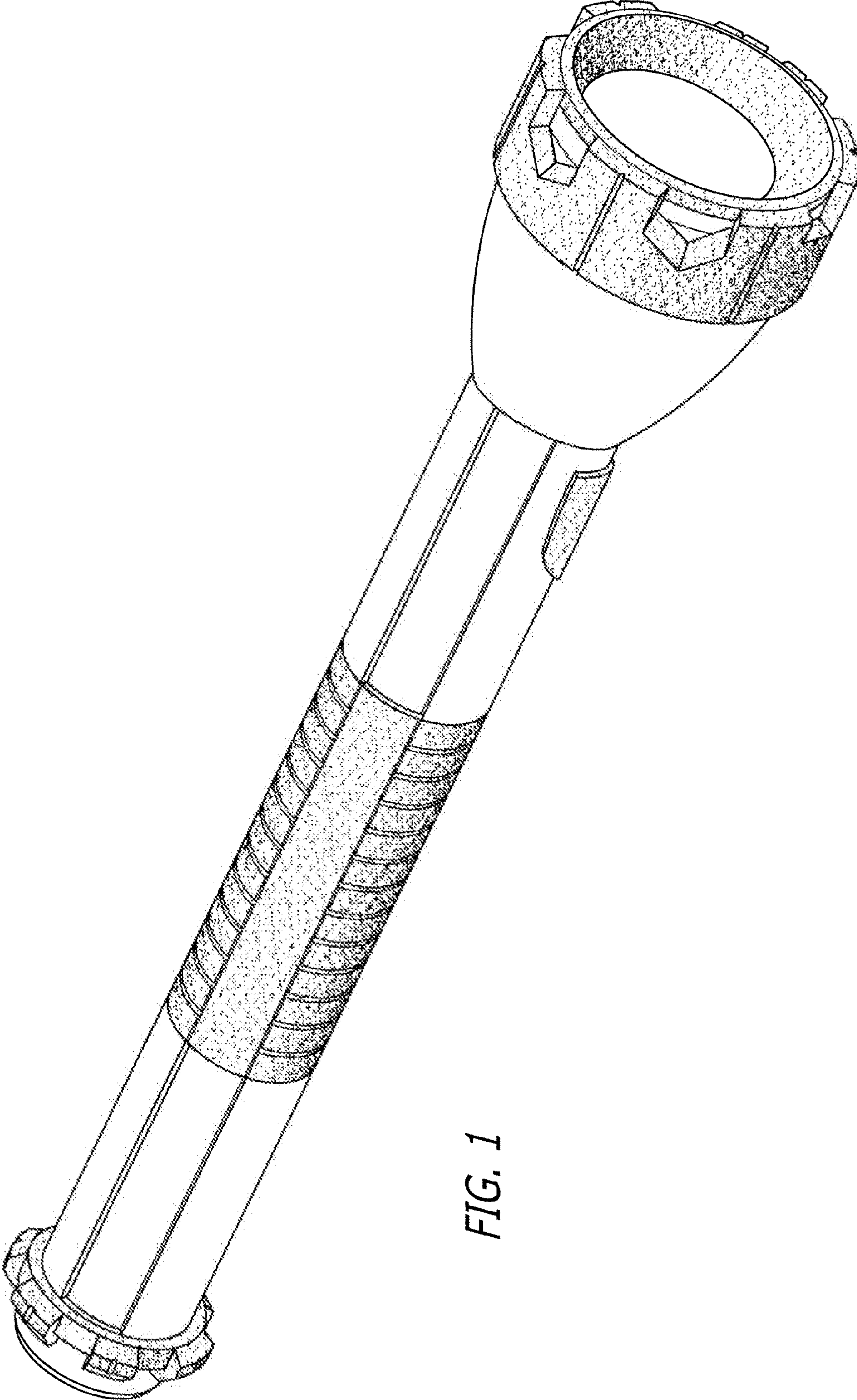


FIG. 1

