



US00D594582S

(12) **United States Design Patent**  
**Petzl**

(10) **Patent No.:** **US D594,582 S**  
(45) **Date of Patent:** **\*\* Jun. 16, 2009**

(54) **HEADLAMP**

(75) Inventor: **Paul Petzl**, Barraux (FR)

(73) Assignee: **Zedel**, Crolles (FR)

(\*\*) Term: **14 Years**

(21) Appl. No.: **29/309,310**

(22) Filed: **Jul. 22, 2008**

(30) **Foreign Application Priority Data**

Jan. 25, 2008 (EM) ..... 000868591-0002

(51) **LOC (9) Cl.** ..... **26-02**

(52) **U.S. Cl.** ..... **D26/39**

(58) **Field of Classification Search** ..... D26/39,  
D26/37, 46, 44; 362/103, 105, 106, 107,  
362/108, 157, 158, 183, 184, 190, 191, 196,  
362/197, 208, 804

See application file for complete search history.

(56) **References Cited**

**U.S. PATENT DOCUMENTS**

6,499,859	B2 *	12/2002	Petzl et al.	.....	362/184
D470,615	S *	2/2003	Janice et al.	.....	D26/39
D477,680	S *	7/2003	Petzl	.....	D26/39
D528,239	S *	9/2006	Petzl	.....	D26/39
D554,782	S *	11/2007	Shiu	.....	D26/39
D556,927	S *	12/2007	Shiu	.....	D26/39
D560,008	S *	1/2008	Poon	.....	D26/39
D566,310	S *	4/2008	Alessio	.....	D26/39
D568,509	S *	5/2008	Shiu	.....	D26/39
D576,328	S *	9/2008	Poon	.....	D26/39

D577,842 S \* 9/2008 Kumthampinij et al. .... D26/39

\* cited by examiner

*Primary Examiner*—Ian Simmons

*Assistant Examiner*—Carissa C Fitts

(74) *Attorney, Agent, or Firm*—Oliff & Berridge, PLC

(57) **CLAIM**

The ornamental design for a headlamp, as shown and described.

**DESCRIPTION**

FIG. 1 is a perspective view of a headlamp showing our new design;

FIG. 2 is a front view thereof;

FIG. 3 is a top view thereof;

FIG. 4 is a right-side view thereof;

FIG. 5 is a left-side view thereof;

FIG. 6 is a rear view thereof;

FIG. 7 is a bottom view thereof;

FIG. 8 is a perspective view of a headlamp in an extended position;

FIG. 9 is a front view thereof;

FIG. 10 is a top view thereof;

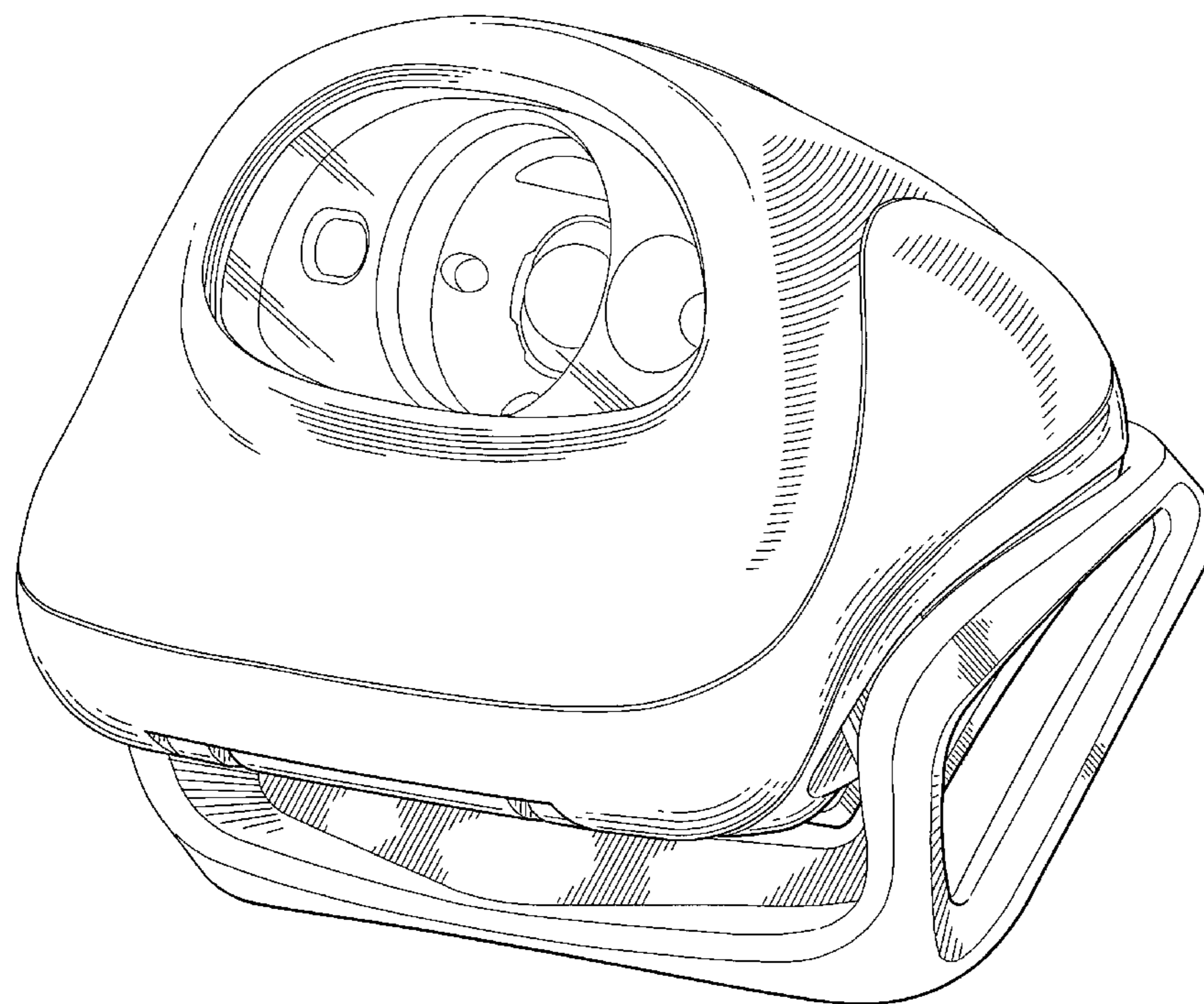
FIG. 11 is a right-side view thereof;

FIG. 12 is a left-side view thereof;

FIG. 13 is a rear view thereof; and,

FIG. 14 is a bottom view thereof.

**1 Claim, 14 Drawing Sheets**



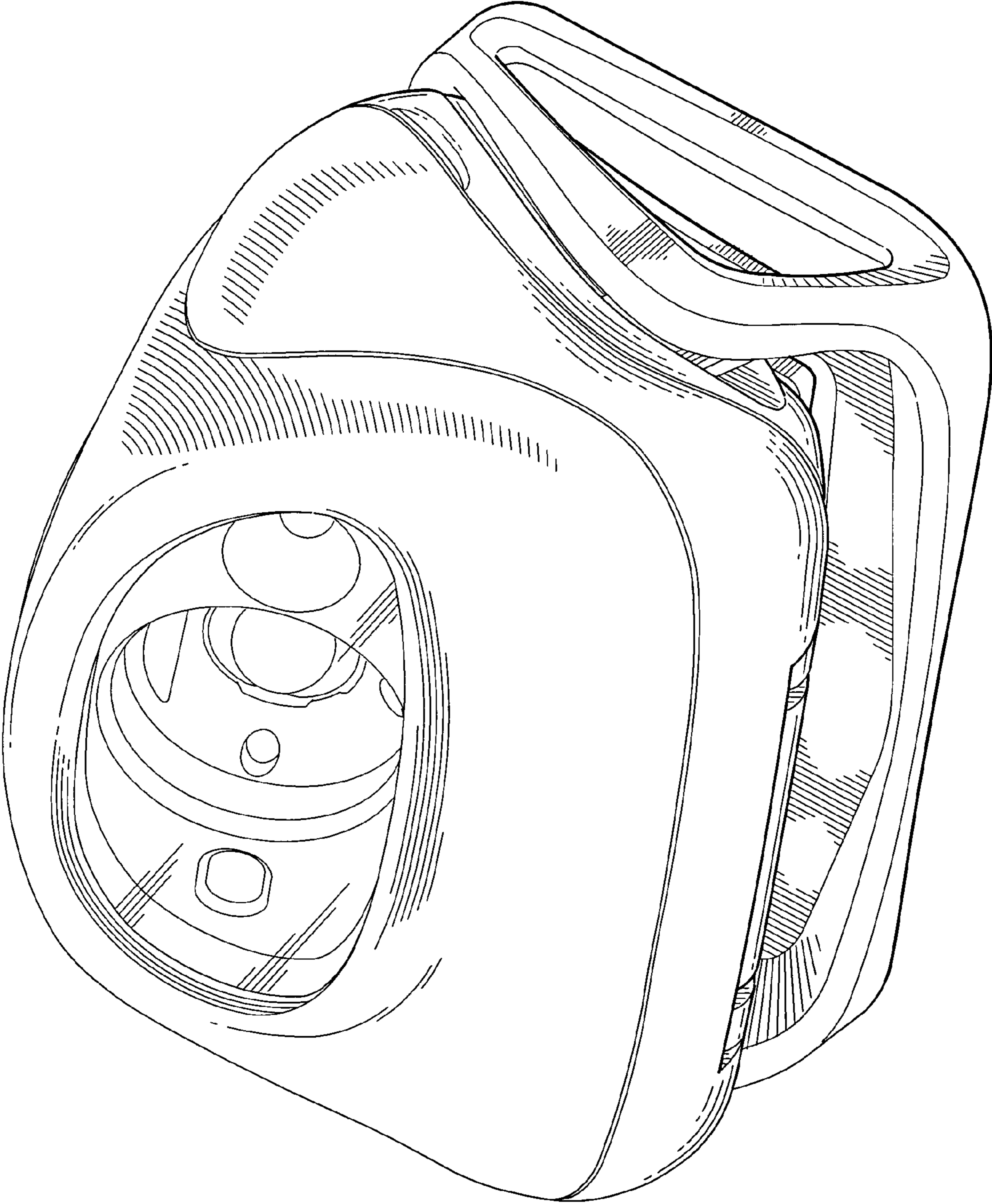


FIG. 1

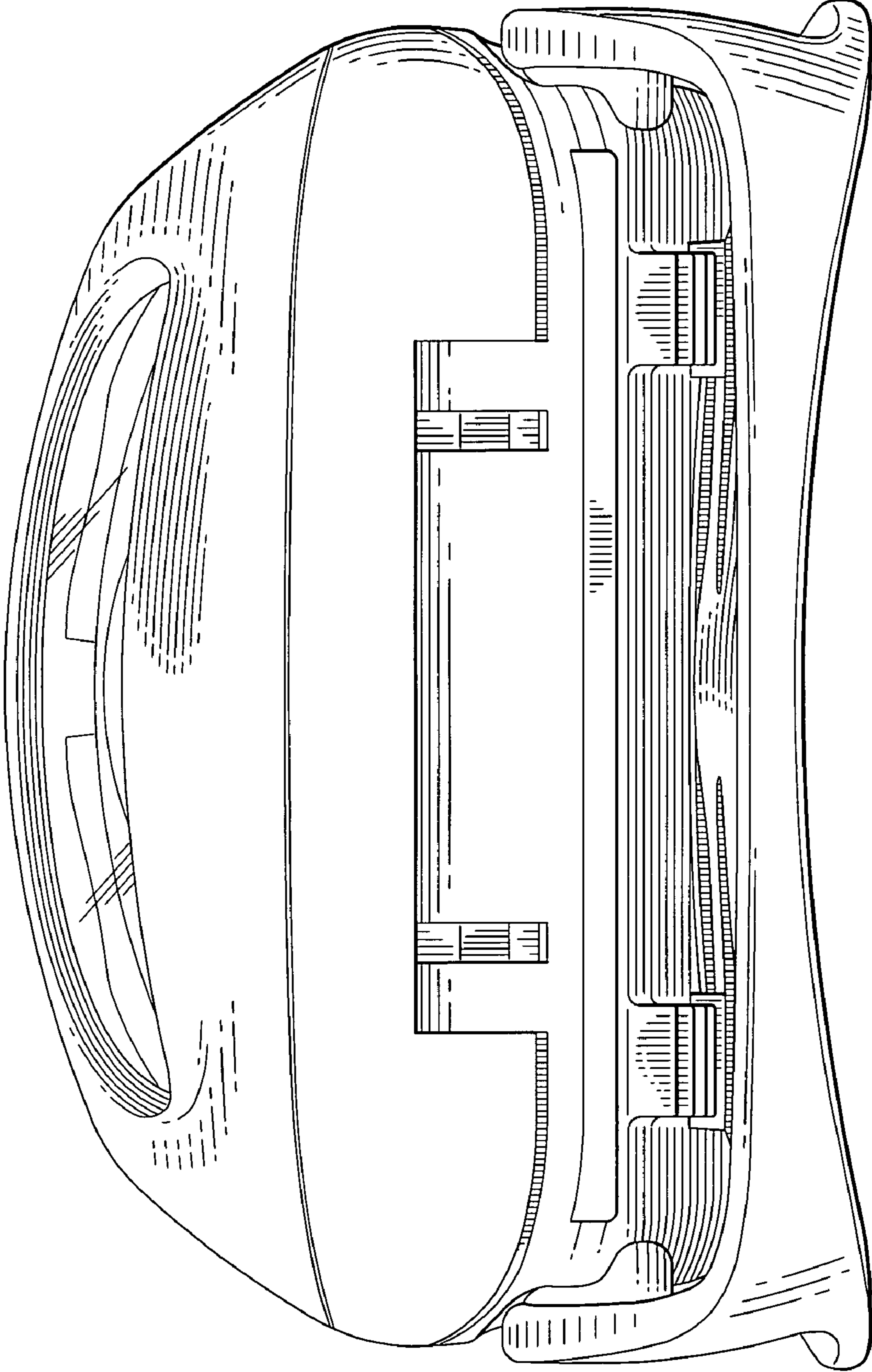


FIG. 2

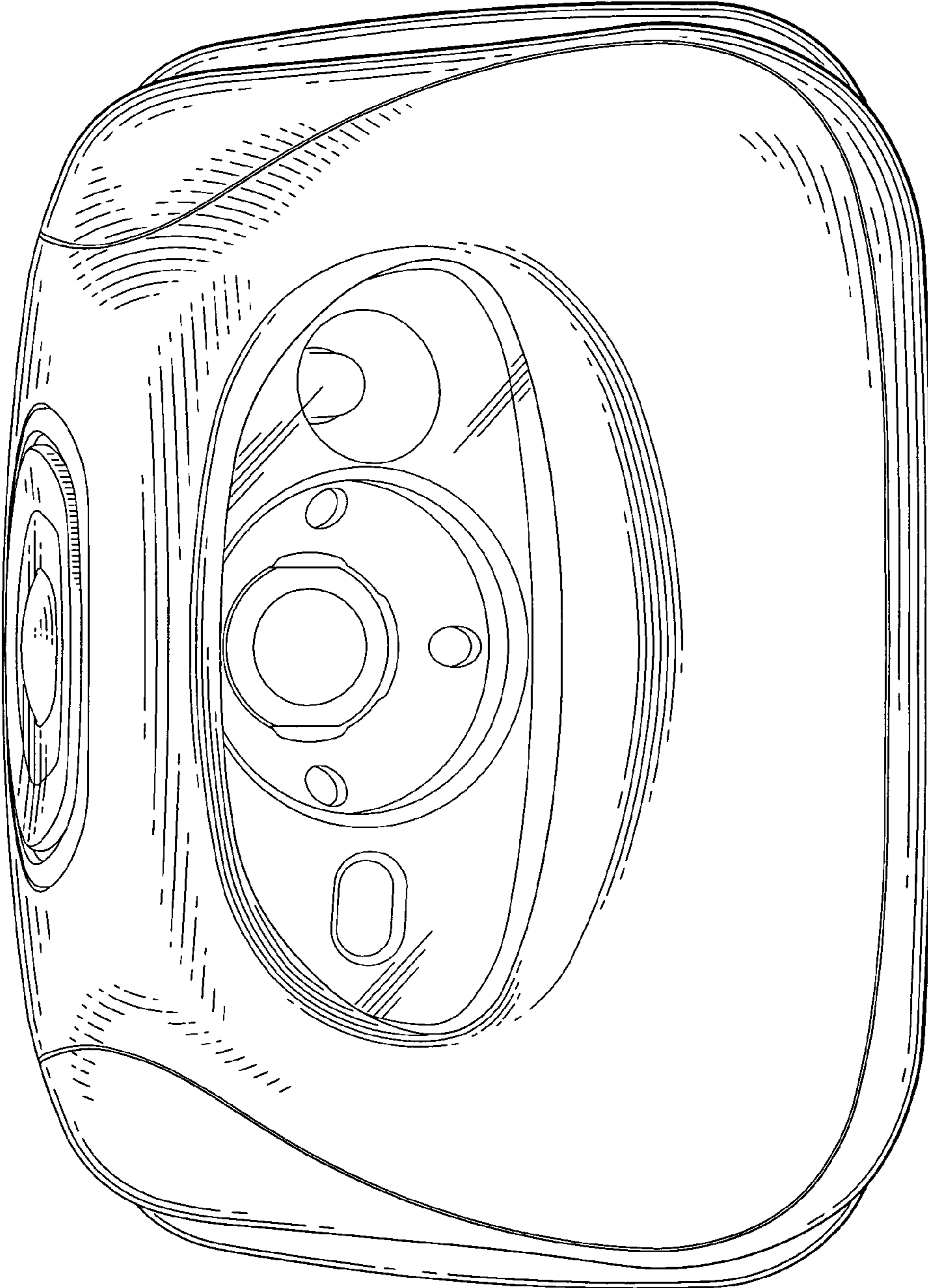


FIG. 3

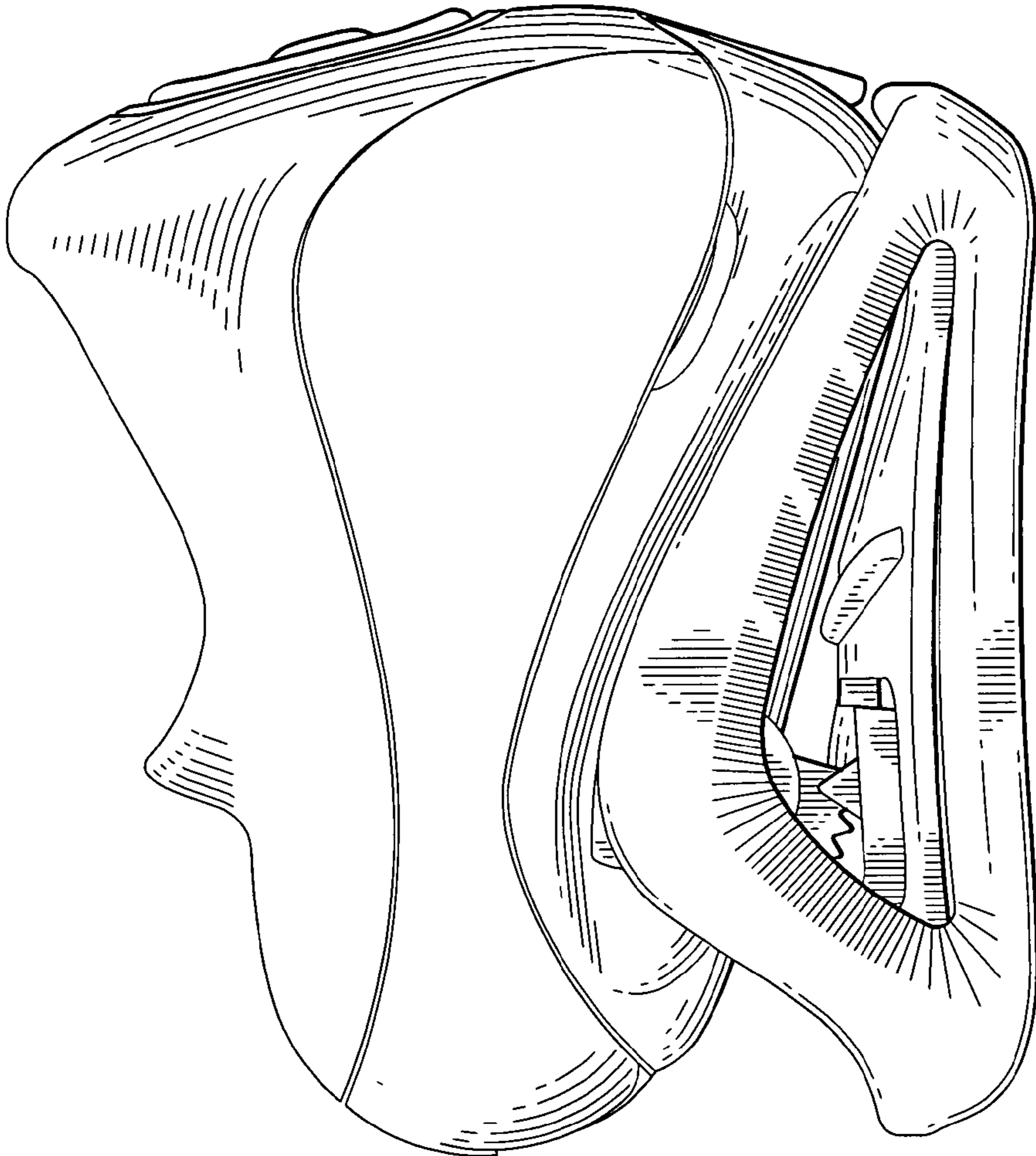


FIG. 4

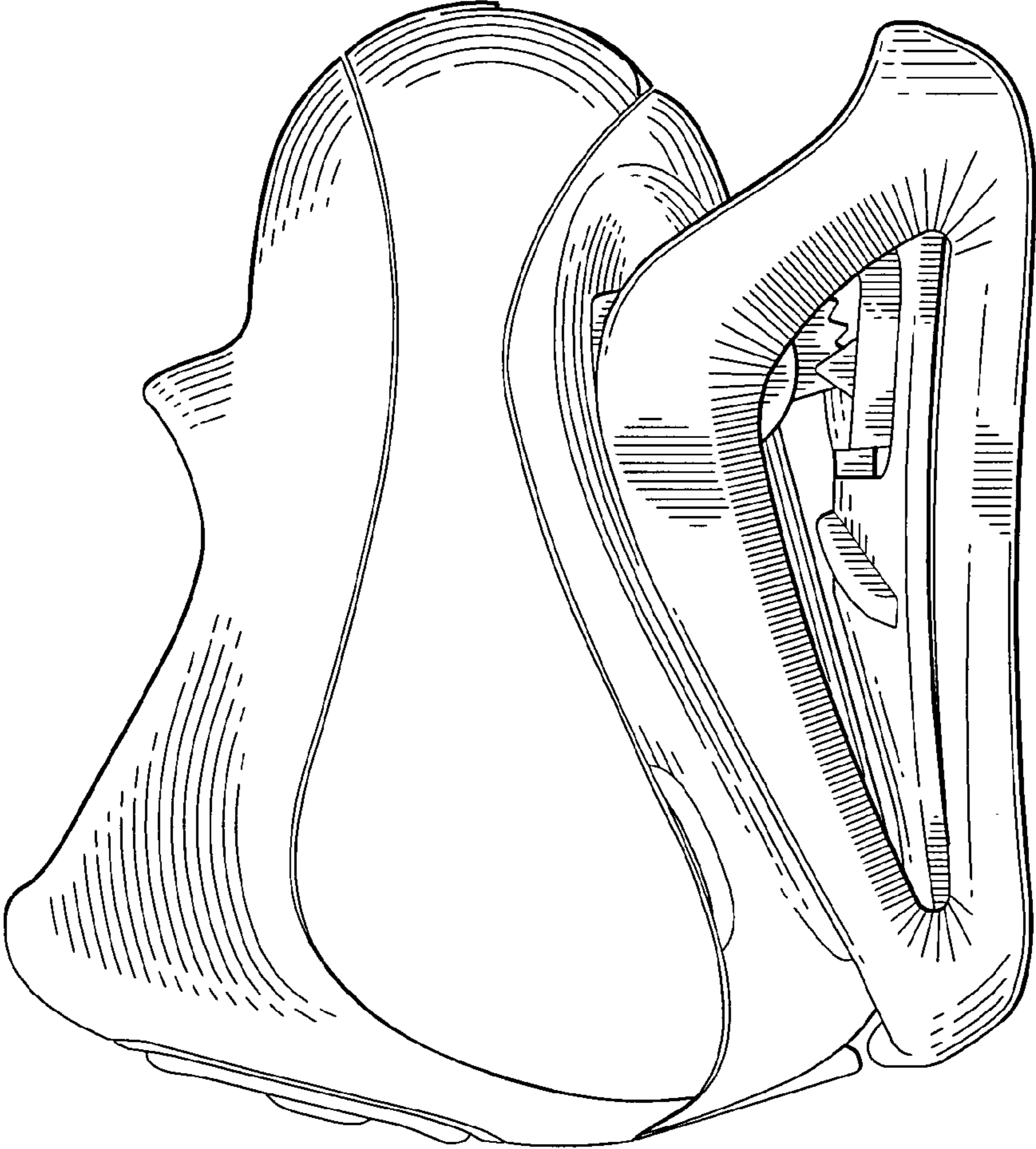


FIG. 5

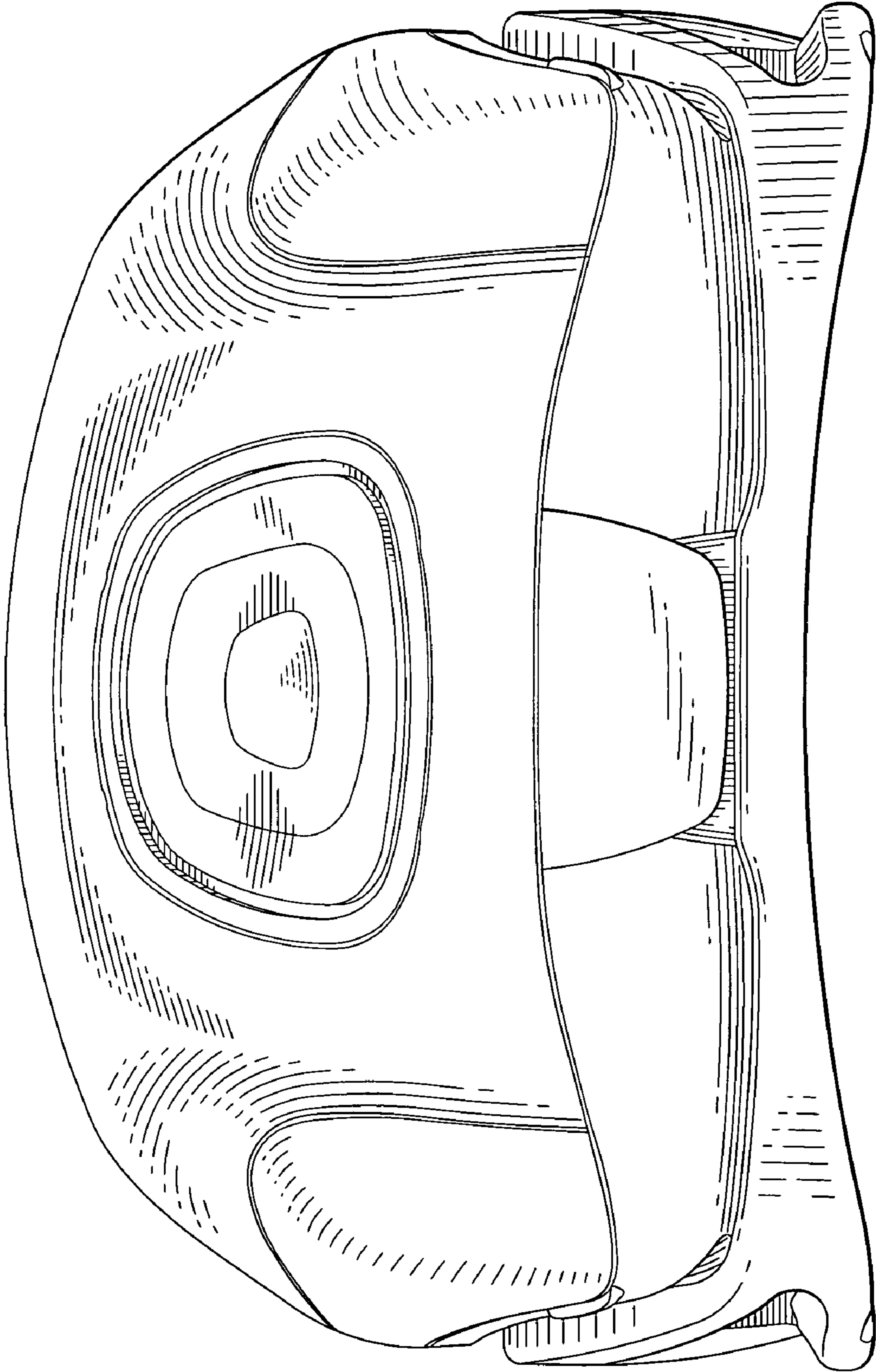


FIG. 6

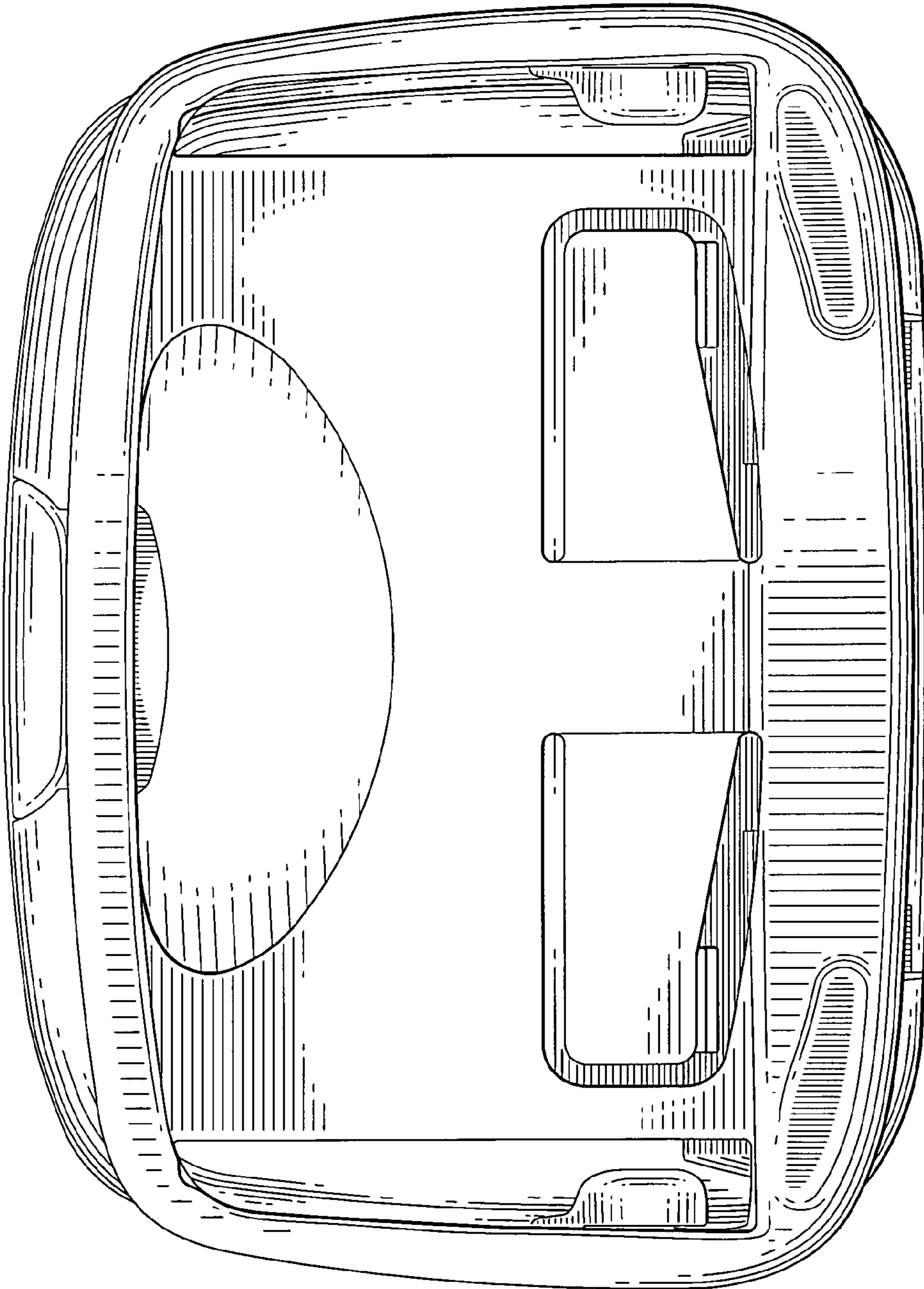


FIG. 7



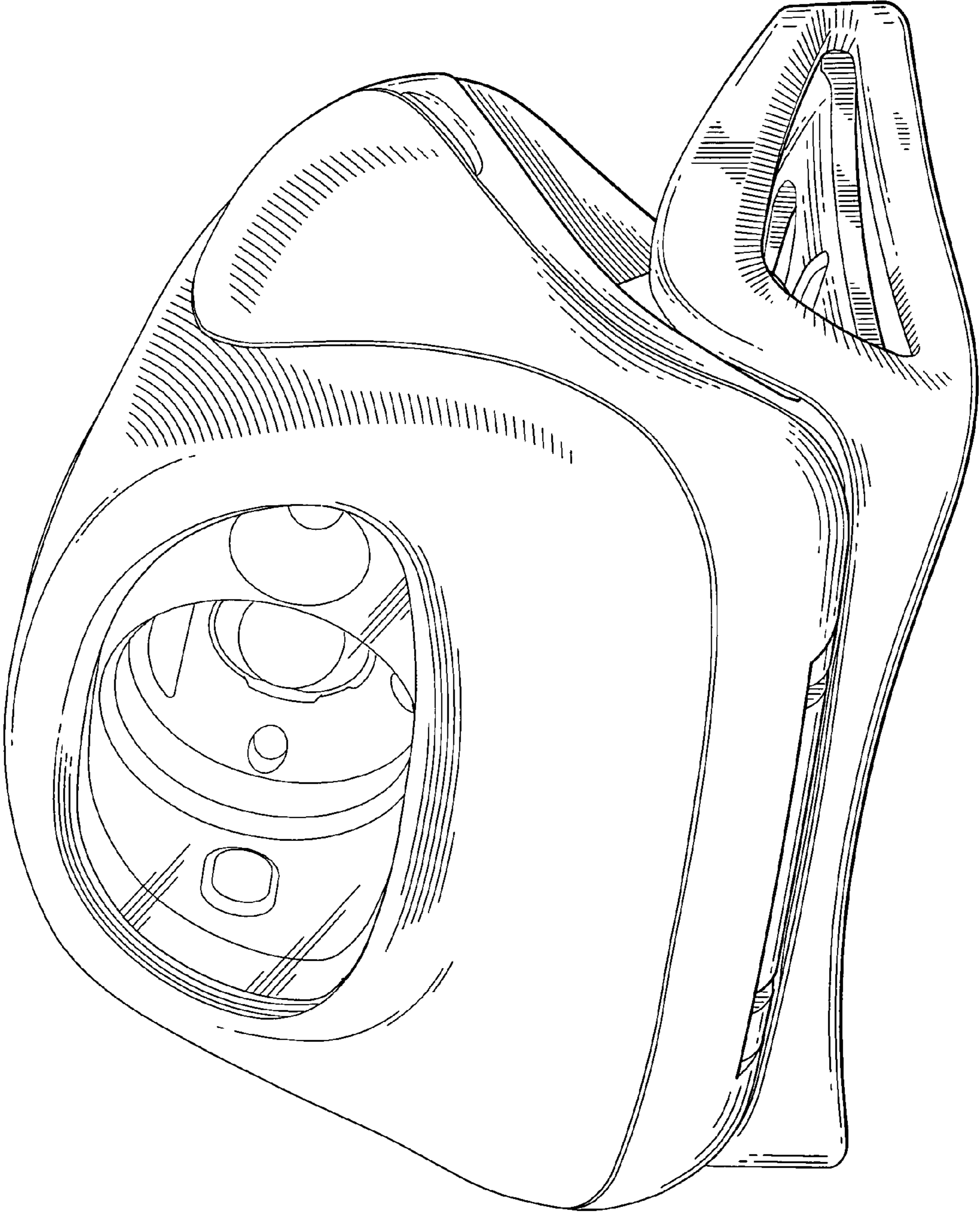


FIG. 8

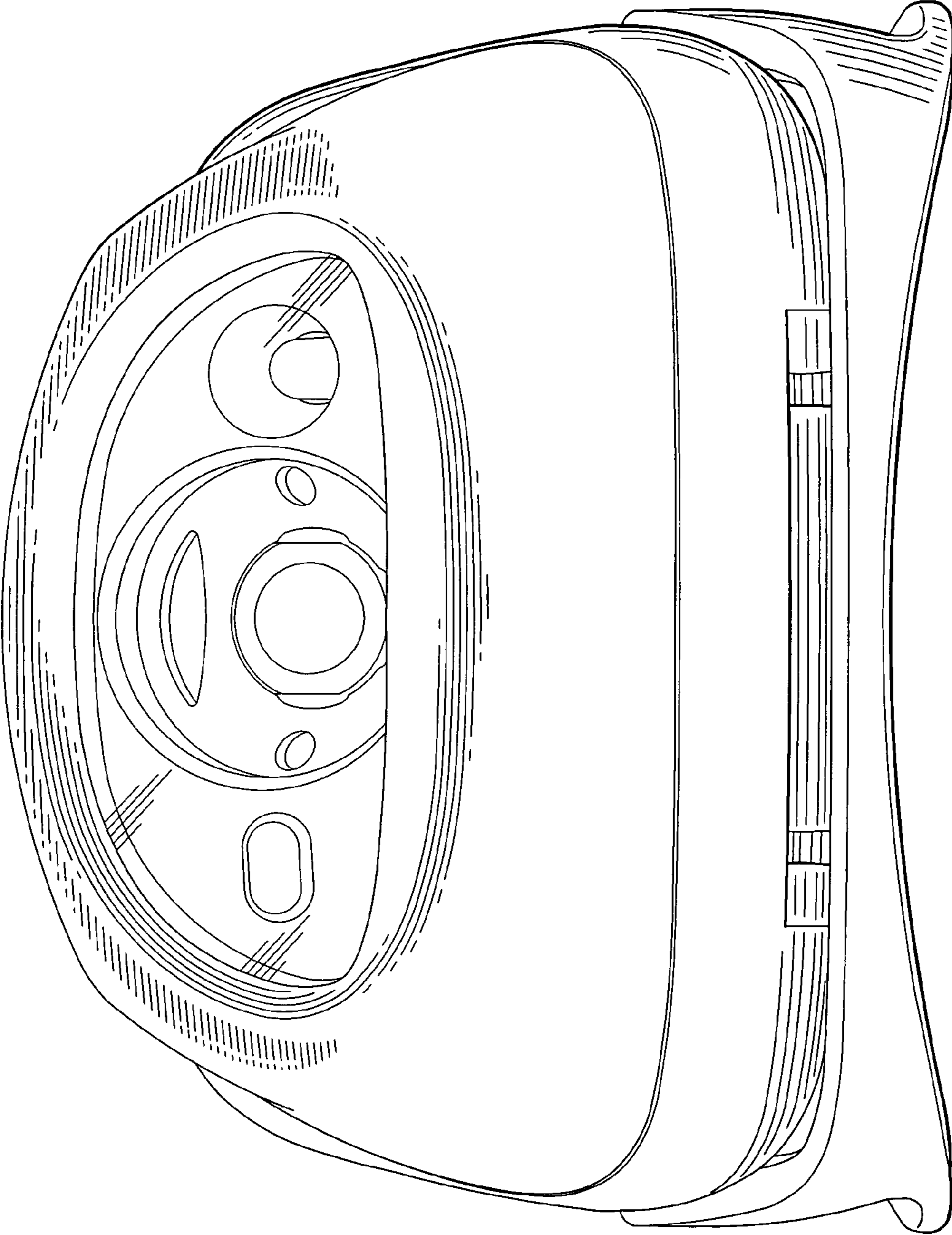


FIG. 9

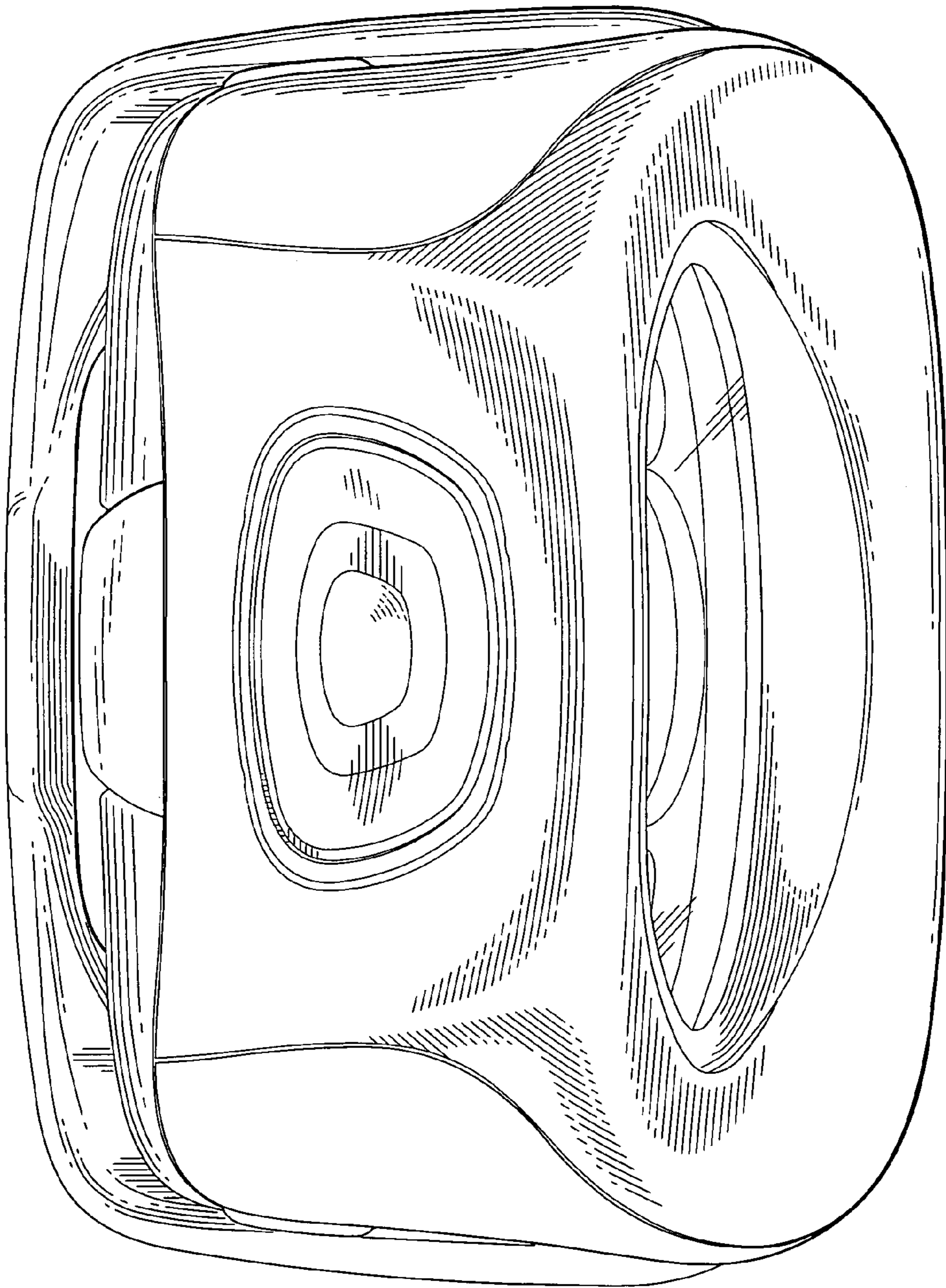


FIG. 10

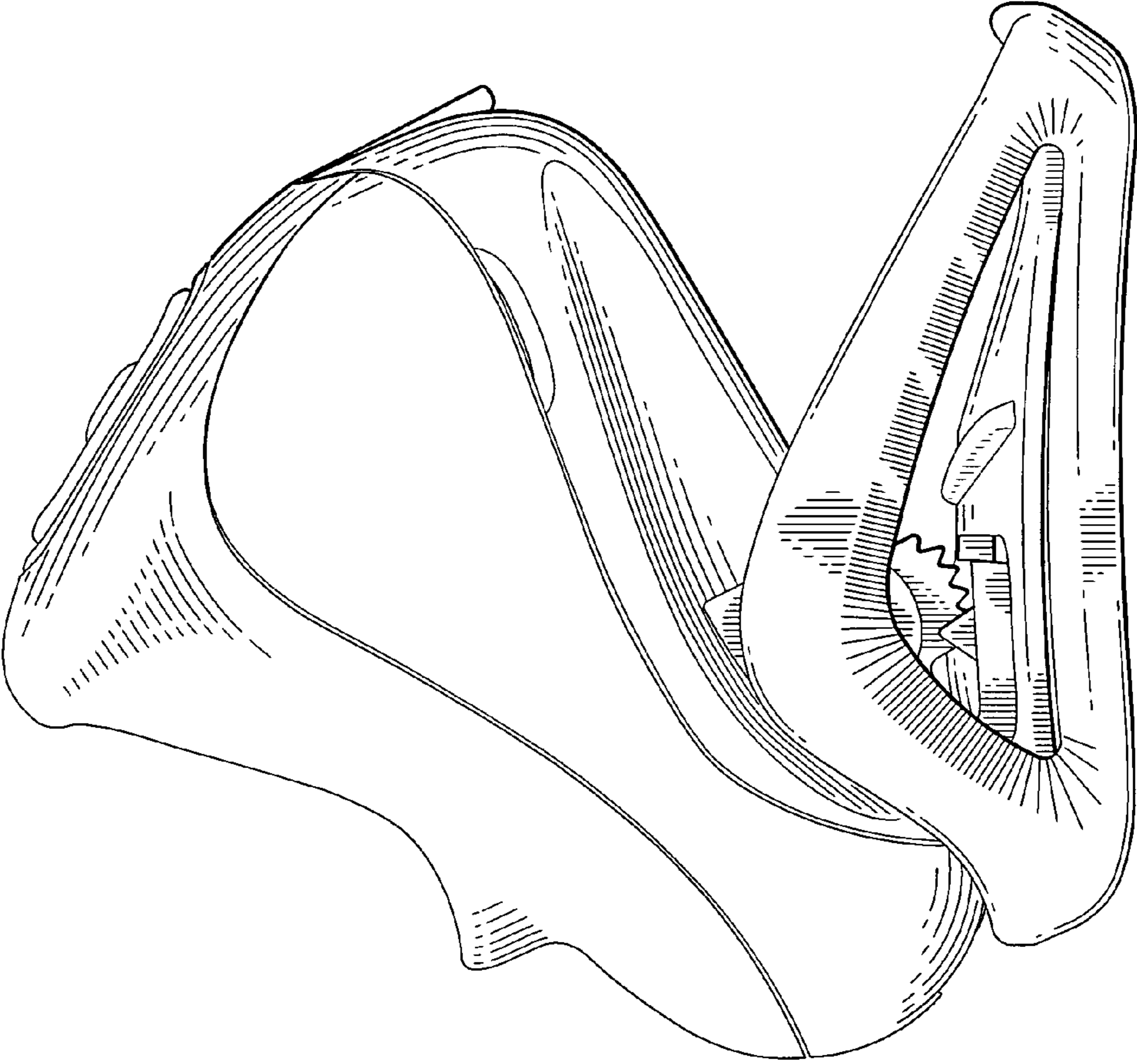


FIG. 11

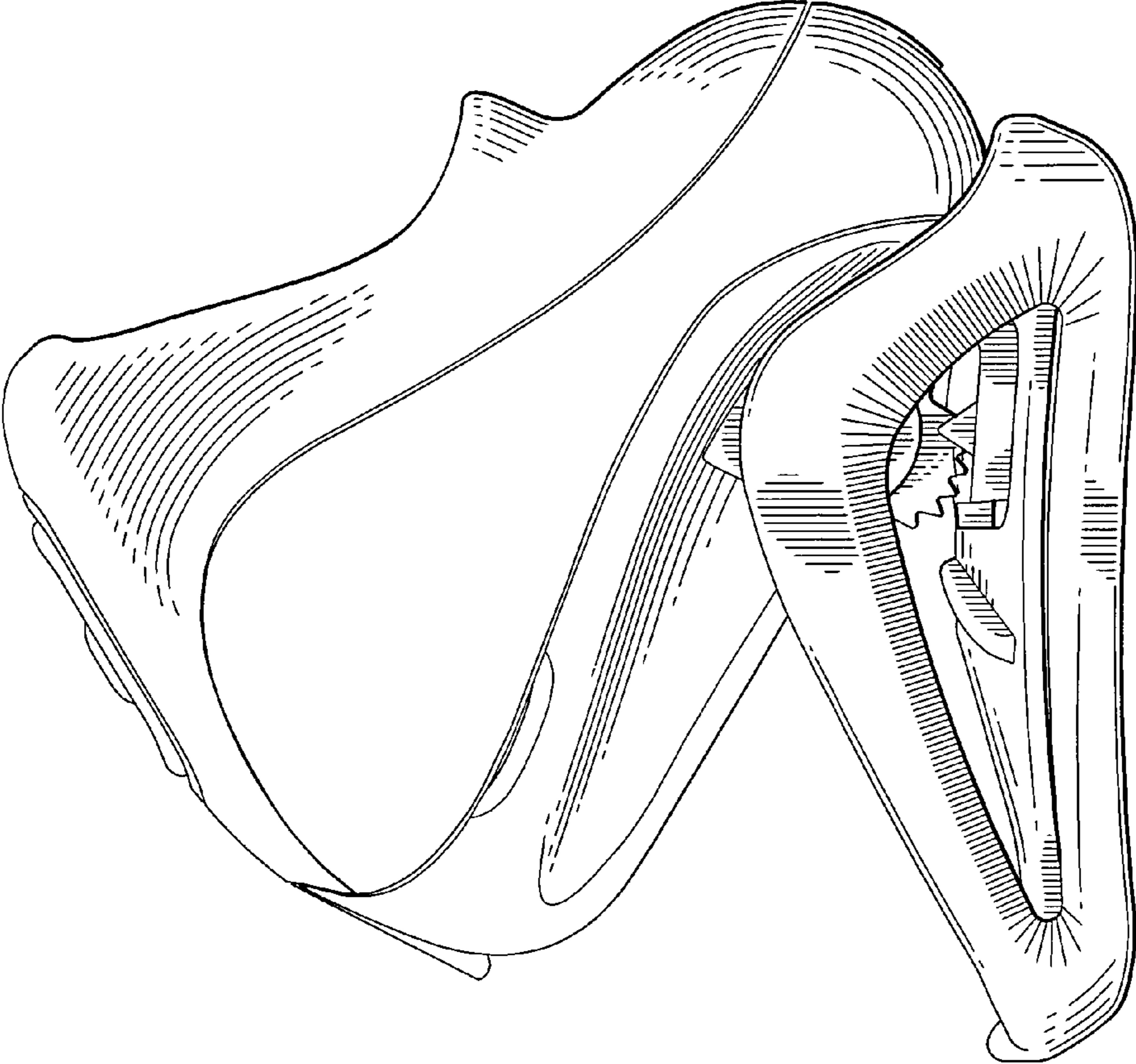


FIG. 12

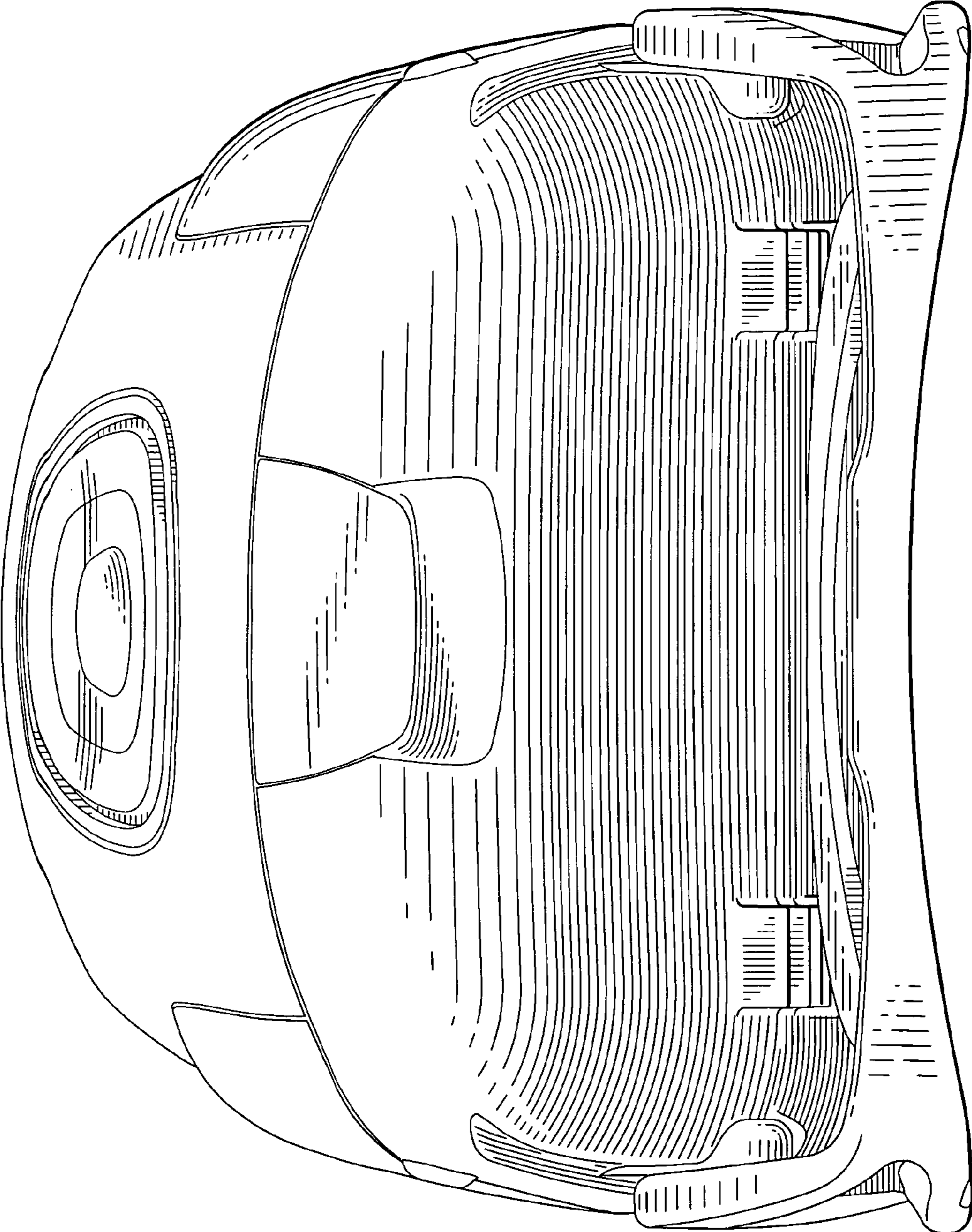


FIG. 13

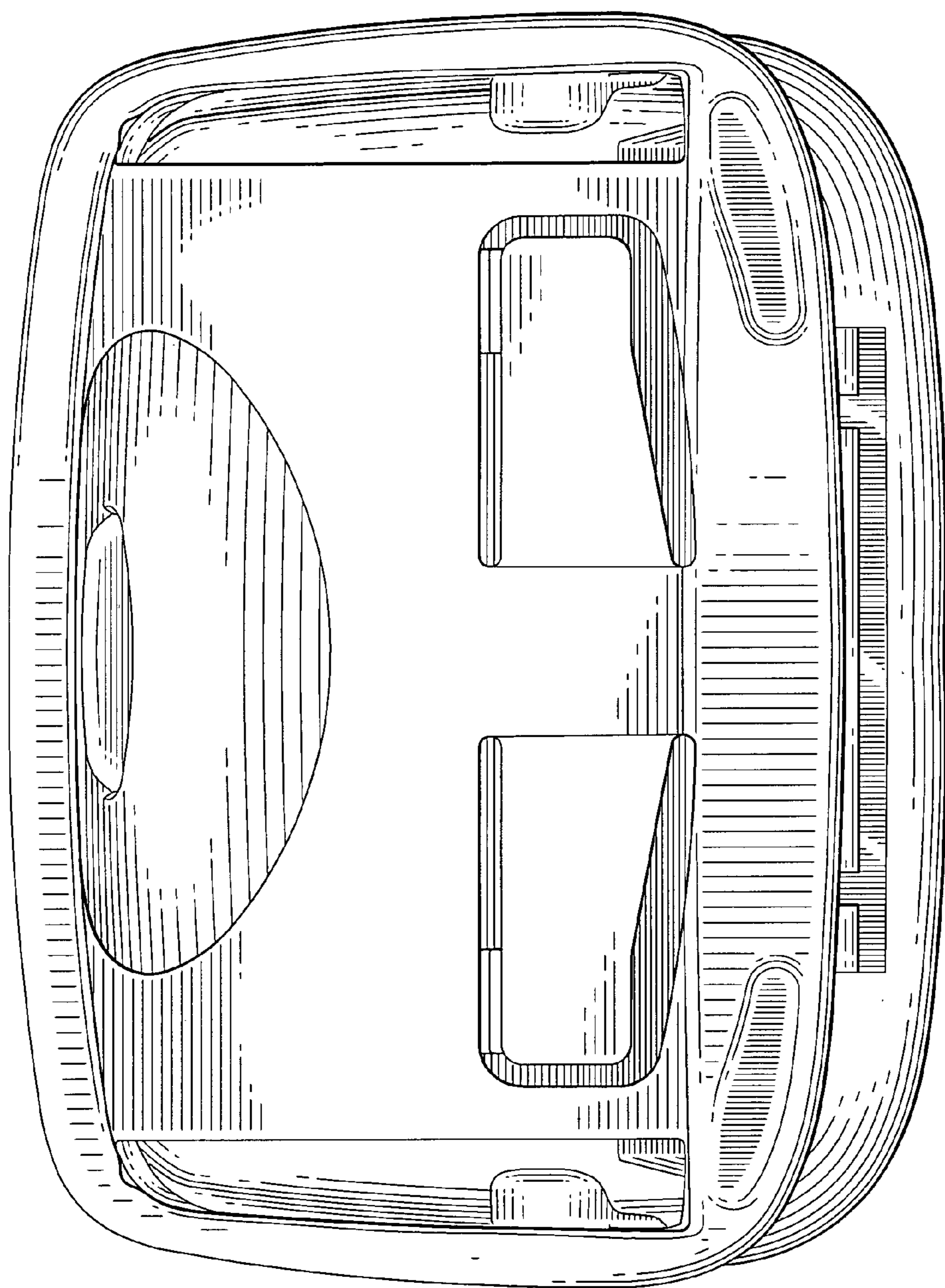


FIG. 14