



US00D594581S

(12) **United States Design Patent**
Han

(10) **Patent No.:** **US D594,581 S**

(45) **Date of Patent:** **** Jun. 16, 2009**

(54) **REAR COMBINATION LAMP FOR VEHICLE**

(75) Inventor: **Jaedo Han**, Gyeonggi-do (KR)

(73) Assignee: **Kia Motors Corporation**, Seoul (KR)

(**) Term: **14 Years**

(21) Appl. No.: **29/327,851**

(22) Filed: **Nov. 14, 2008**

(30) **Foreign Application Priority Data**

Jul. 17, 2008 (KR) 30-2008-0030947

(51) **LOC (9) Cl.** **26-06**

(52) **U.S. Cl.** **D26/28**

(58) **Field of Classification Search** D26/28-36;
362/459-468, 475-478, 485-487

See application file for complete search history.

(56) **References Cited**

U.S. PATENT DOCUMENTS

- D549,363 S * 8/2007 Pfeiffer D26/28
- D552,769 S * 10/2007 Leclercq D26/28
- D553,268 S * 10/2007 Pfeiffer D26/28
- D553,269 S * 10/2007 Pfeiffer et al. D26/28

* cited by examiner

Primary Examiner—Marcus A. Jackson

(74) *Attorney, Agent, or Firm*—Edwards Angell Palmer & Dodge LLP

(57) **CLAIM**

The ornamental design for a rear combination lamp for vehicle, as shown and described.

DESCRIPTION

FIG. 1 is a perspective view of a rear combination lamp for vehicle according to the present invention.

FIG. 2 is a front view of the rear combination lamp for vehicle of FIG. 1.

FIG. 3 is a rear view of the rear combination lamp for vehicle of FIG. 1.

FIG. 4 is a left side view of the rear combination lamp for vehicle of FIG. 1.

FIG. 5 is a right side view of the rear combination lamp for vehicle of FIG. 1.

FIG. 6 is a top view of the rear combination lamp for vehicle of FIG. 1; and,

FIG. 7 is a bottom view of the rear combination lamp for vehicle of FIG. 1.

1 Claim, 7 Drawing Sheets



Fig. 1



Fig. 2



Fig. 3

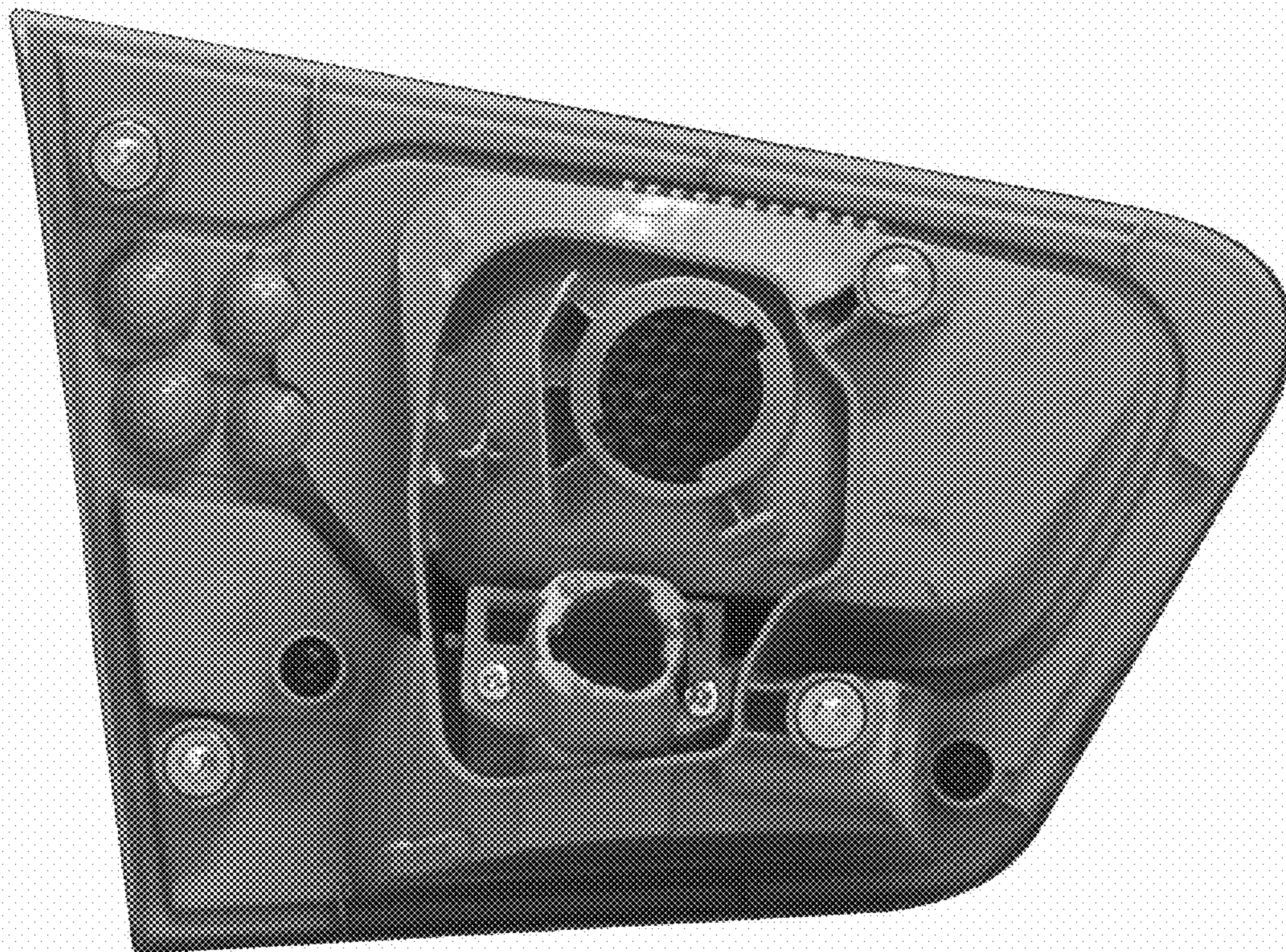


Fig. 4

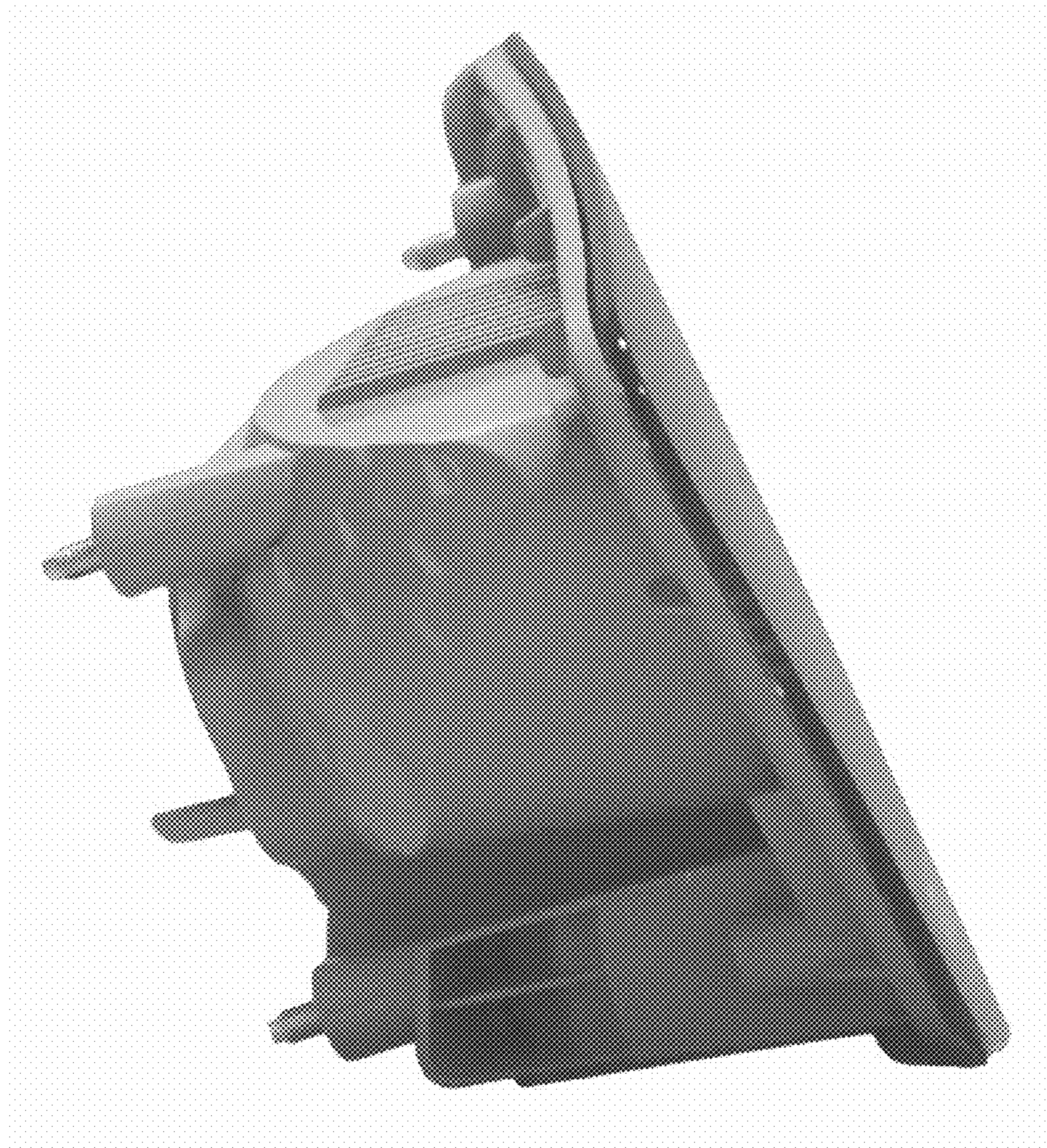


Fig. 5

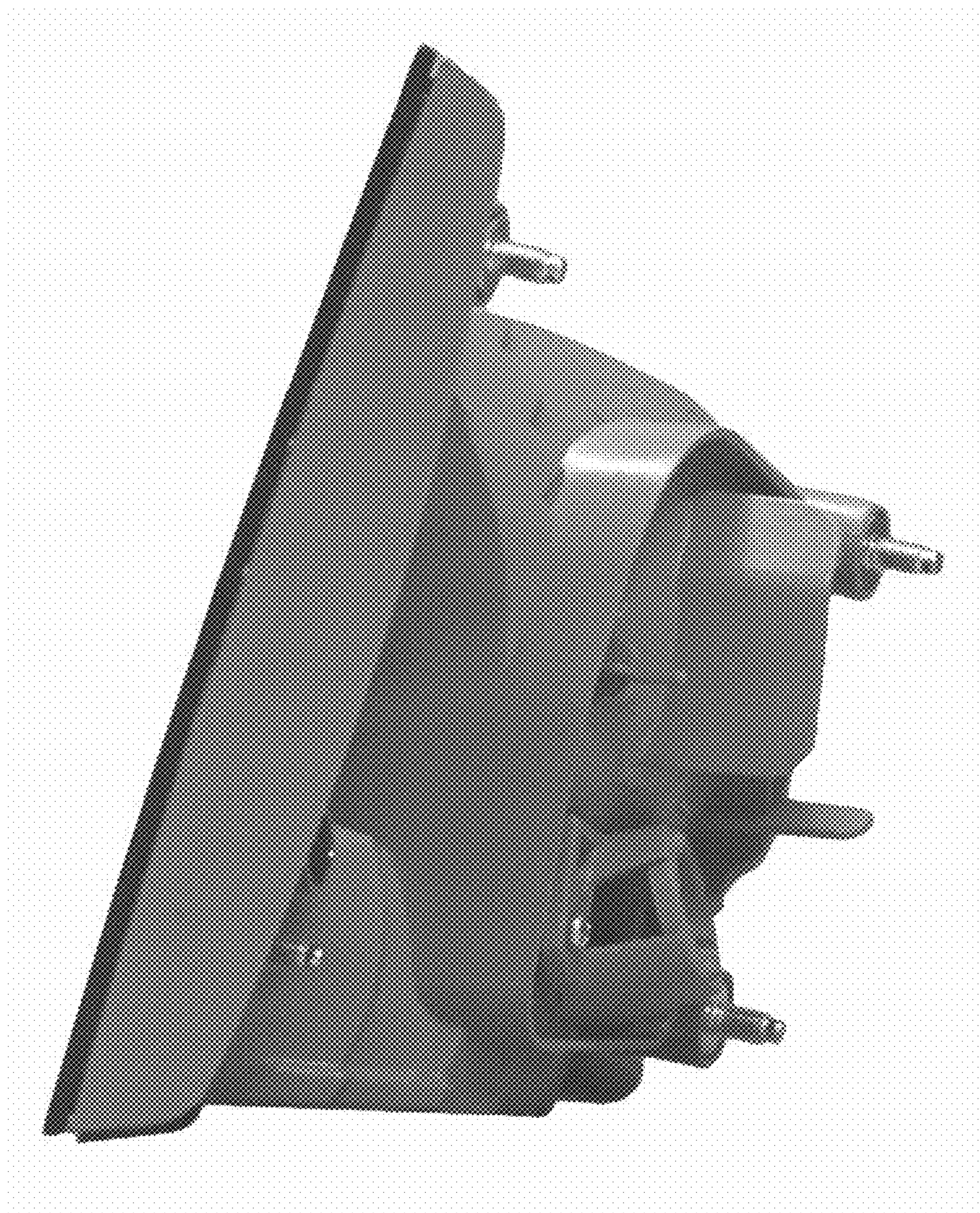


Fig. 6

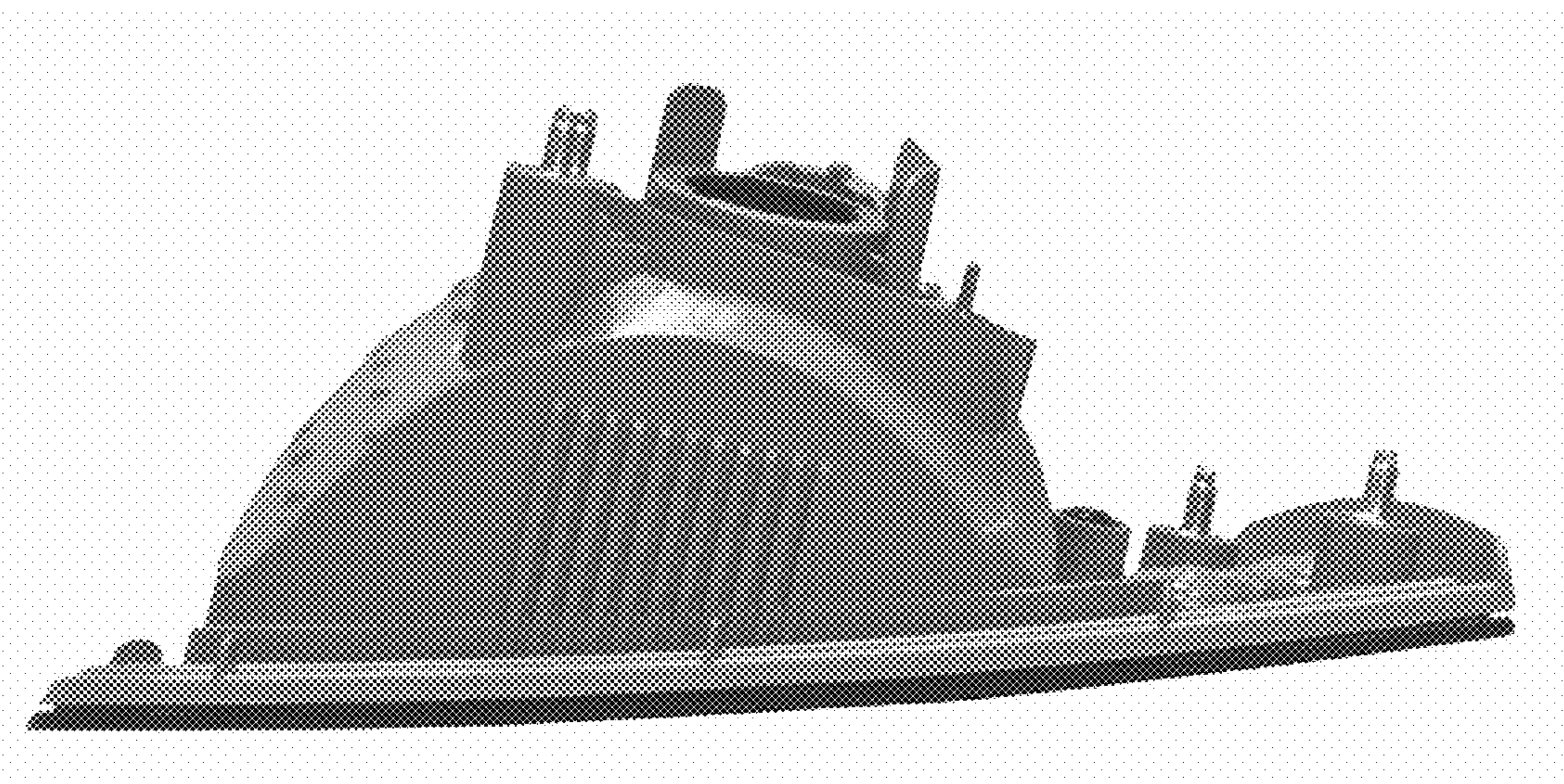


Fig. 7

