

US00D594580S

(12) **United States Design Patent**
Ishizuka et al.

(10) **Patent No.:** **US D594,580 S**
(45) **Date of Patent:** **** Jun. 16, 2009**

(54) **HEADLAMP FOR VEHICLE**

(75) Inventors: **Kouichi Ishizuka**, Paris (FR); **Takashi Utsunomiya**, Fujisawa (JP); **Matthew Weaver**, London (GB); **Bert Dehaes**, Twyford (GB)

(73) Assignee: **Nissan Motor Co., Ltd.**, Yokohama-shi (JP)

(**) Term: **14 Years**

(21) Appl. No.: **29/327,111**

(22) Filed: **Oct. 30, 2008**

(30) **Foreign Application Priority Data**

May 19, 2008 (JP) D2008-012353

(51) **LOC (9) Cl.** **26-06**

(52) **U.S. Cl.** **D26/28**

(58) **Field of Classification Search** D26/28-36;
362/459-468, 475-478, 485-487

See application file for complete search history.

(56) **References Cited**

U.S. PATENT DOCUMENTS

D549,858 S * 8/2007 Pfeiffer D26/28

D556,349 S * 11/2007 Golden et al. D26/28
D560,291 S * 1/2008 Koyama D26/28
D561,358 S * 2/2008 Tachibana D26/28
D561,359 S * 2/2008 Hsu D26/28
D563,576 S * 3/2008 Hanaoka D26/28

* cited by examiner

Primary Examiner—Marcus A. Jackson

(74) *Attorney, Agent, or Firm*—Foley & Lardner LLP

(57) **CLAIM**

The ornamental design for a headlamp for vehicle, as shown and described.

DESCRIPTION

FIG. 1 is a perspective view of a headlamp for vehicle;
FIG. 2 is a front view thereof;
FIG. 3 is a rear view thereof;
FIG. 4 is a top plan view thereof;
FIG. 5 is a bottom plan view thereof;
FIG. 6 is a left side view thereof; and,
FIG. 7 is a right side view thereof.

1 Claim, 4 Drawing Sheets

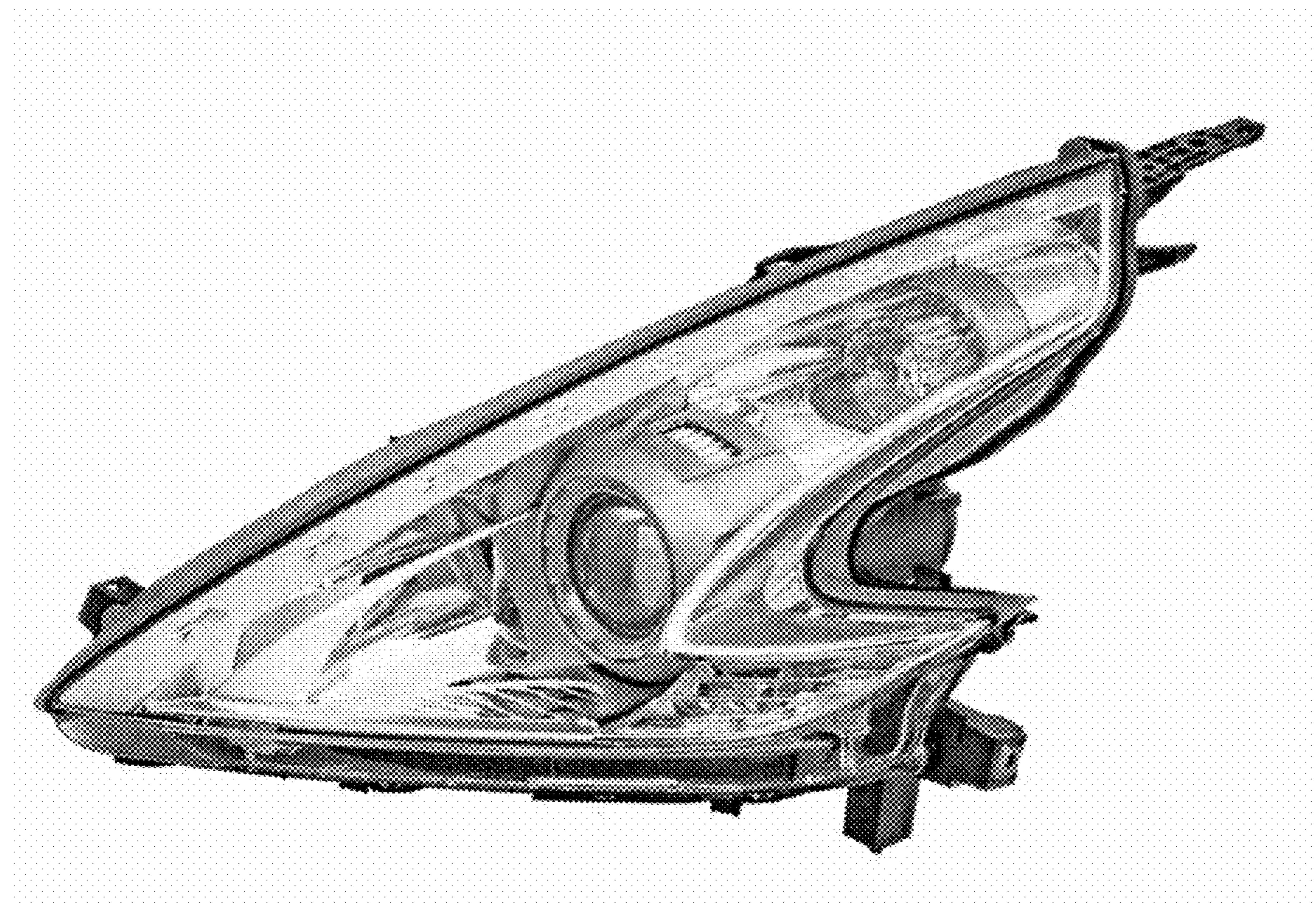


Fig. 1

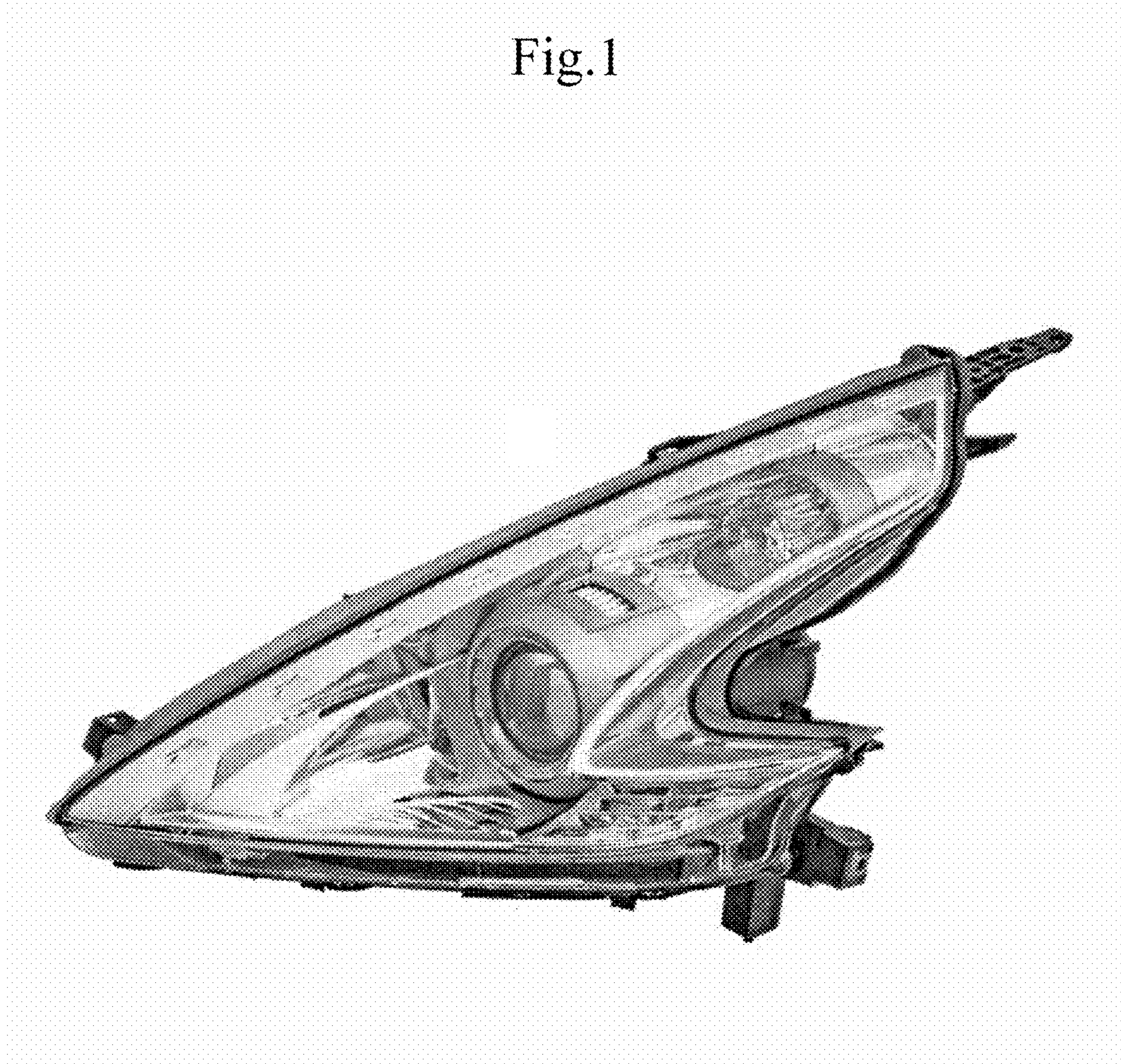


Fig.2

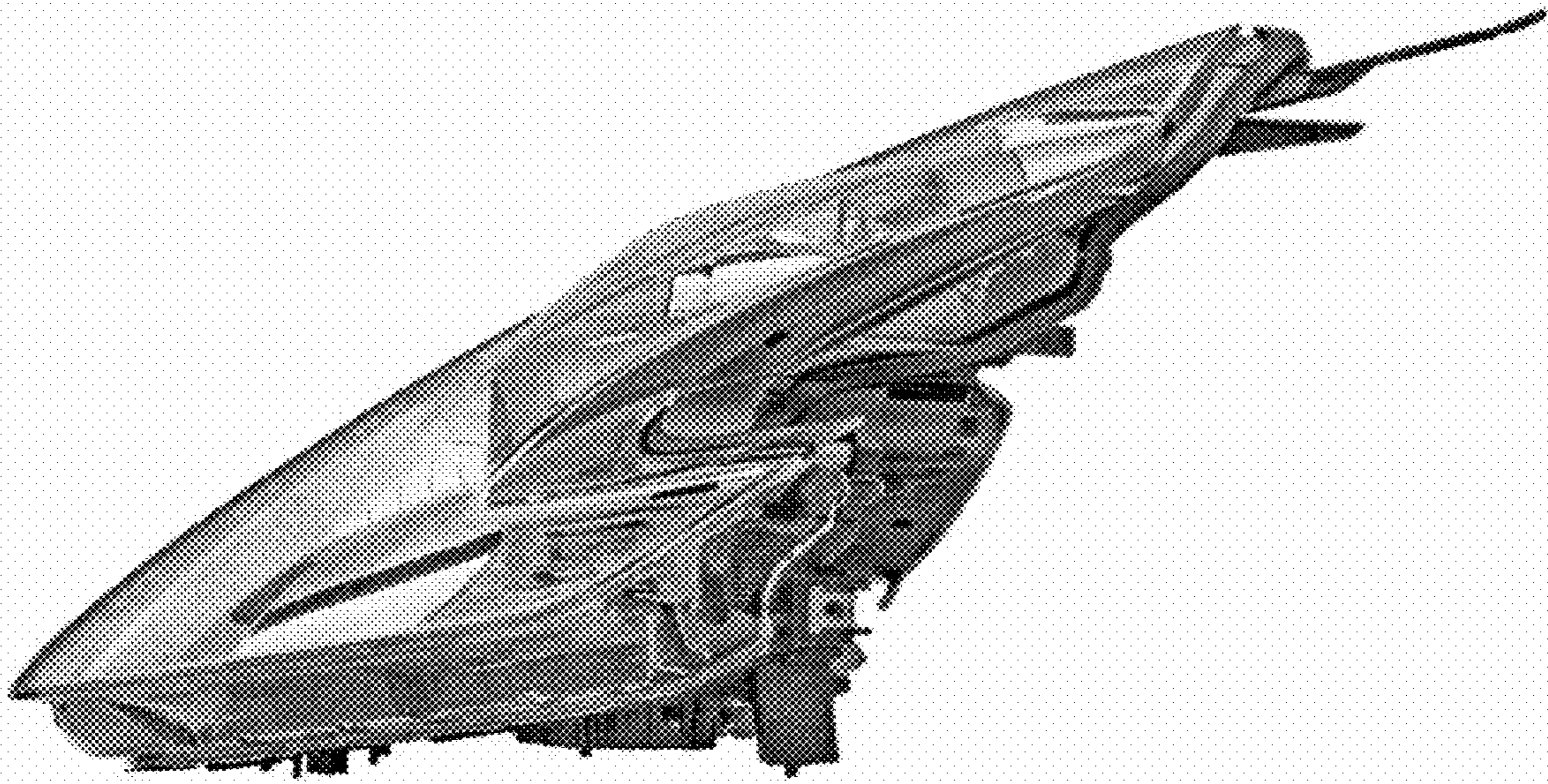


Fig.3

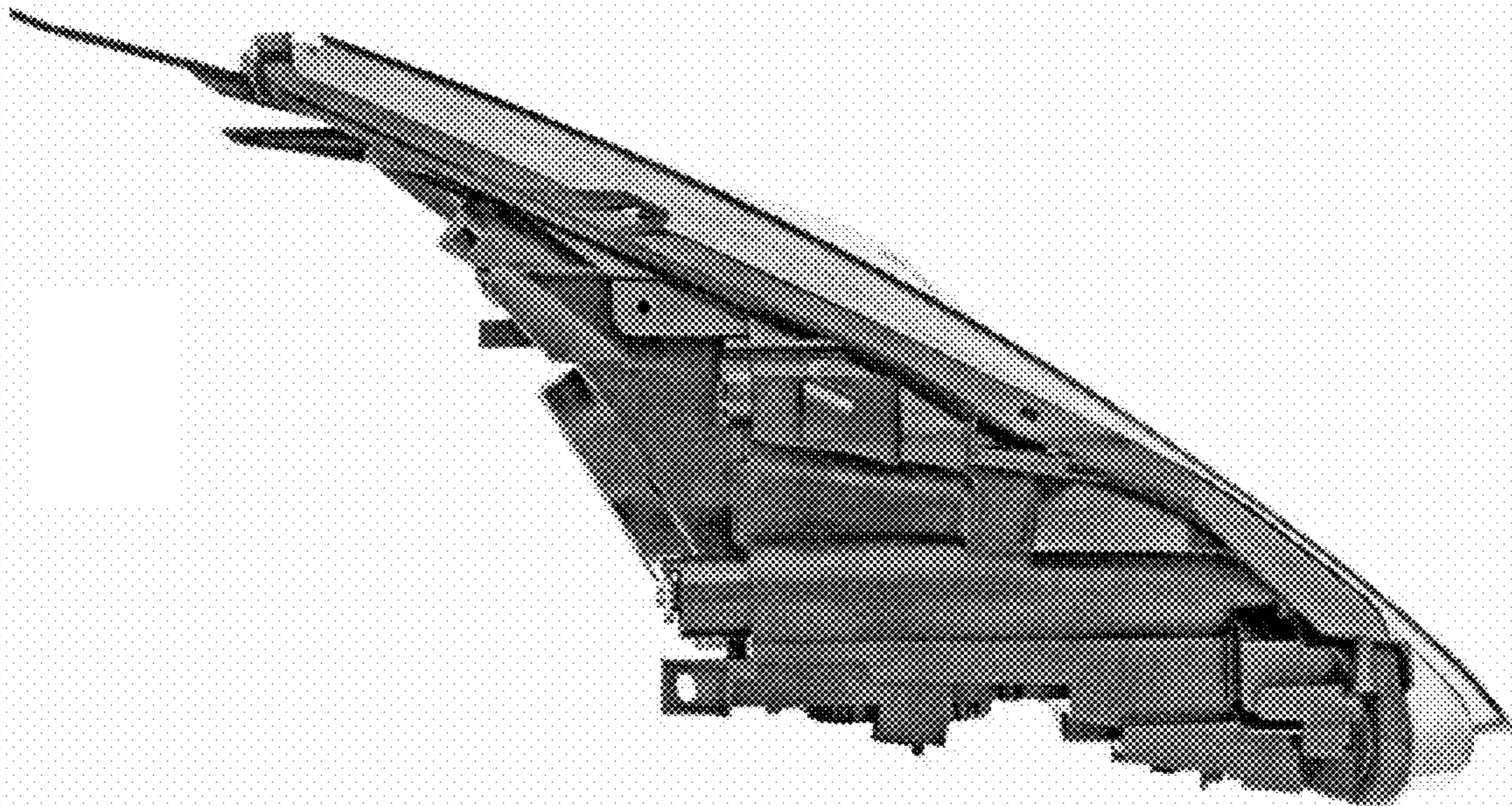


Fig.4

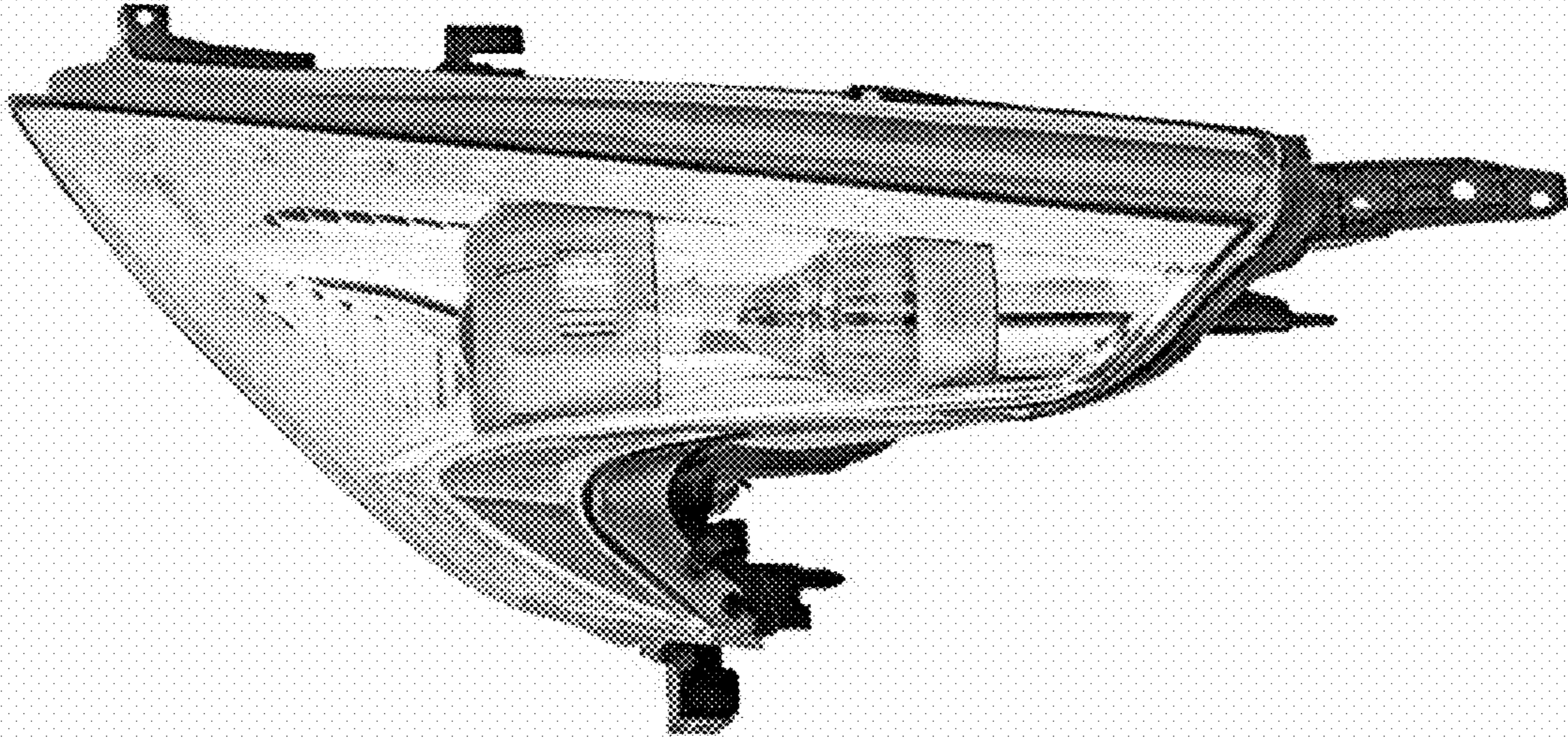


Fig.5

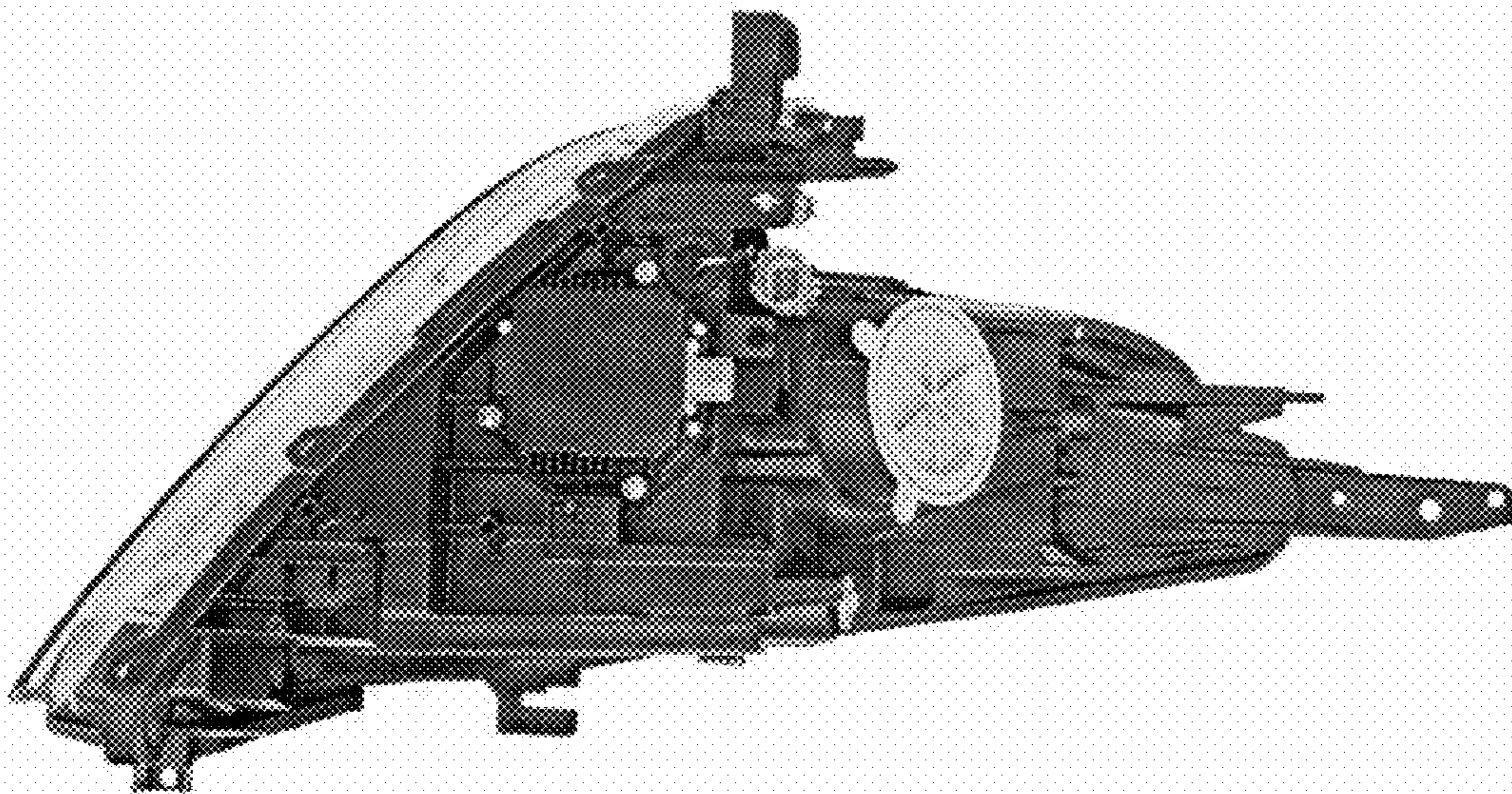


Fig.6

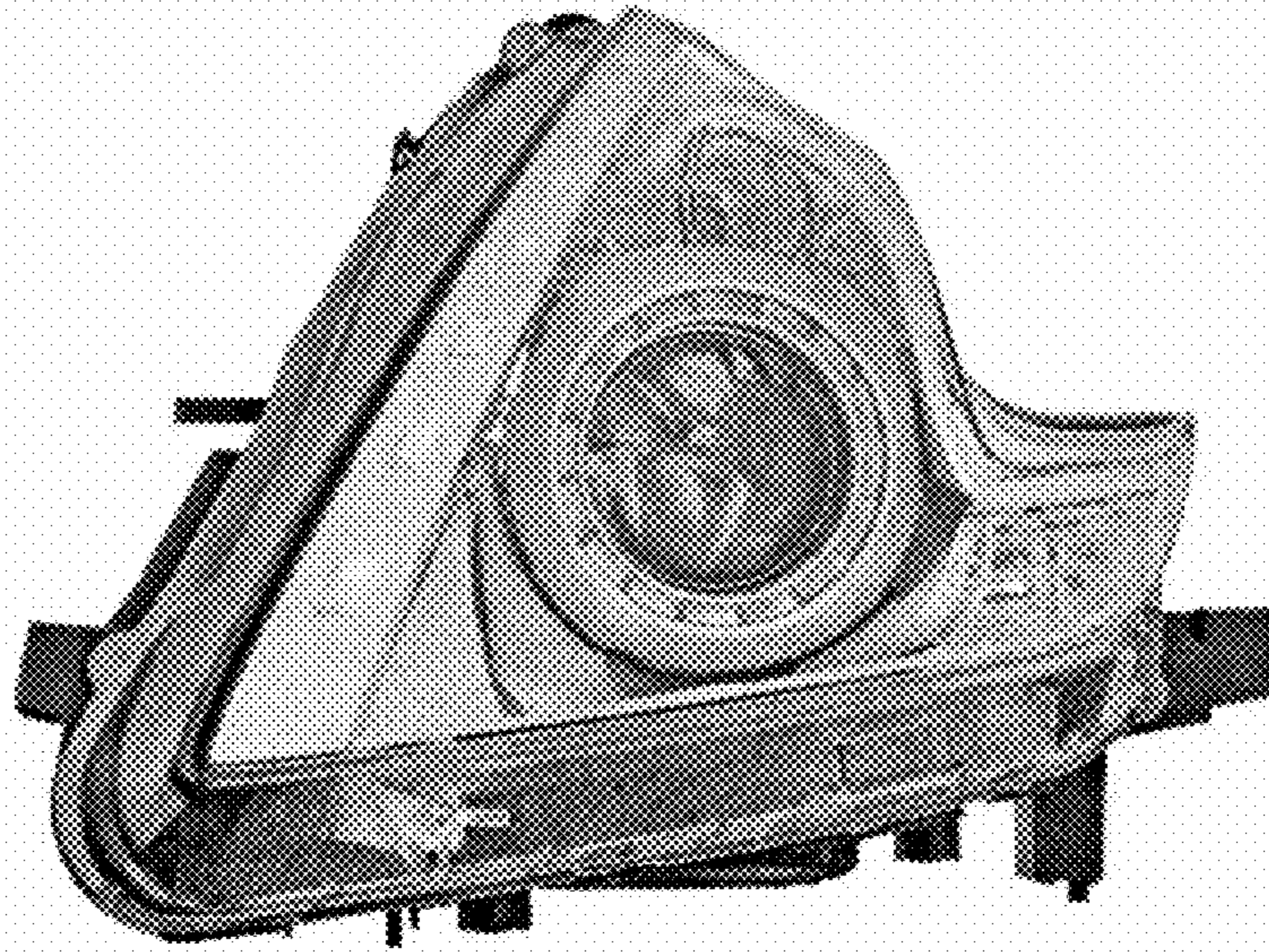


Fig.7

