

US00D594579S

(12) **United States Design Patent**
Hoffman

(10) **Patent No.:** **US D594,579 S**
(45) **Date of Patent:** **** Jun. 16, 2009**

(54) **COMBINATION HEADLIGHT AND INDICATOR LIGHT UNIT**

(76) **Inventor:** **Lawrence Andrew Hoffman**, 201 SE. Morrison, Portland, OR (US) 97214

(**) **Term:** **14 Years**

(21) **Appl. No.:** **29/272,715**

(22) **Filed:** **Feb. 15, 2007**

(51) **LOC (9) Cl.** **26-06**

(52) **U.S. Cl.** **D26/28**

(58) **Field of Classification Search** D26/28-36;
362/459-468, 475-478, 485-487

See application file for complete search history.

(56) **References Cited**

U.S. PATENT DOCUMENTS

| | | | | |
|--------------|---------|----------------|-------|--------|
| D470,257 S * | 2/2003 | Byggmastar | | D26/28 |
| D471,658 S * | 3/2003 | Byggmastar | | D26/28 |
| D510,636 S * | 10/2005 | Yamamoto | | D26/28 |
| D564,683 S * | 3/2008 | Roach et al. | | D26/28 |
| D572,856 S * | 7/2008 | Kehl et al. | | D26/61 |
| D585,575 S * | 1/2009 | Crispin et al. | | D26/28 |

* cited by examiner

Primary Examiner—Marcus A. Jackson

(57) **CLAIM**

The ornamental design for a combination headlight and indicator light unit, as shown and described.

DESCRIPTION

FIG. 1 is a front view of an ornamental design for a combination headlight and indicator light unit showing my new design.

FIG. 2 is a back view of an ornamental design for a combination headlight and indicator light unit showing my new design with wire broken away at the end to indicate indeterminate length.

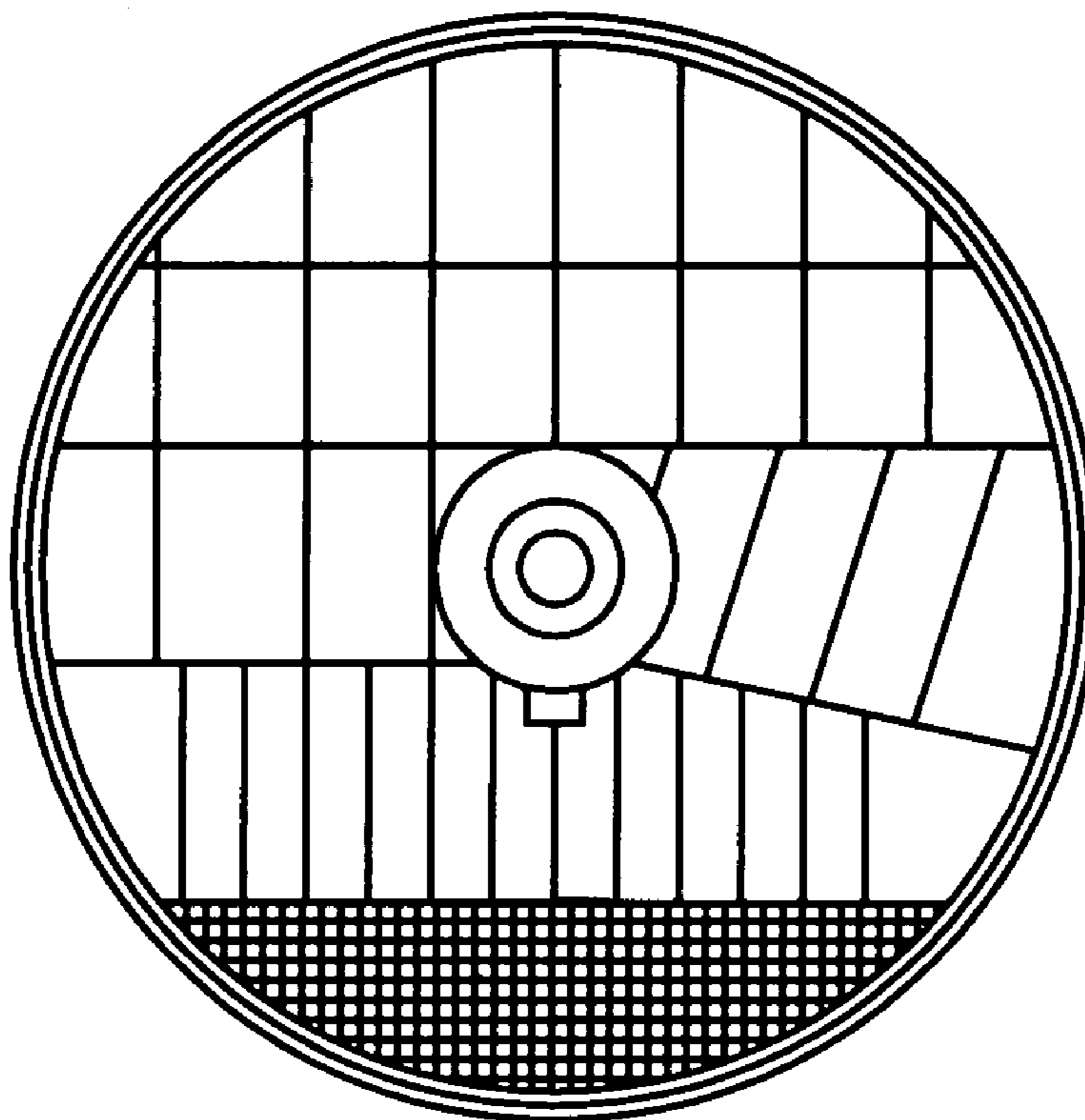
FIG. 3 is a top view of an ornamental design for a combination headlight and indicator light unit showing my new design.

FIG. 4 is a right side view of an ornamental design for a combination headlight and indicator light unit showing my new design.

FIG. 5 is a bottom view of an ornamental design for a combination headlight and indicator light unit showing my new design; and,

FIG. 6 is a left side view of a an ornamental design for a combination headlight and indicator light unit showing my new design.

1 Claim, 4 Drawing Sheets



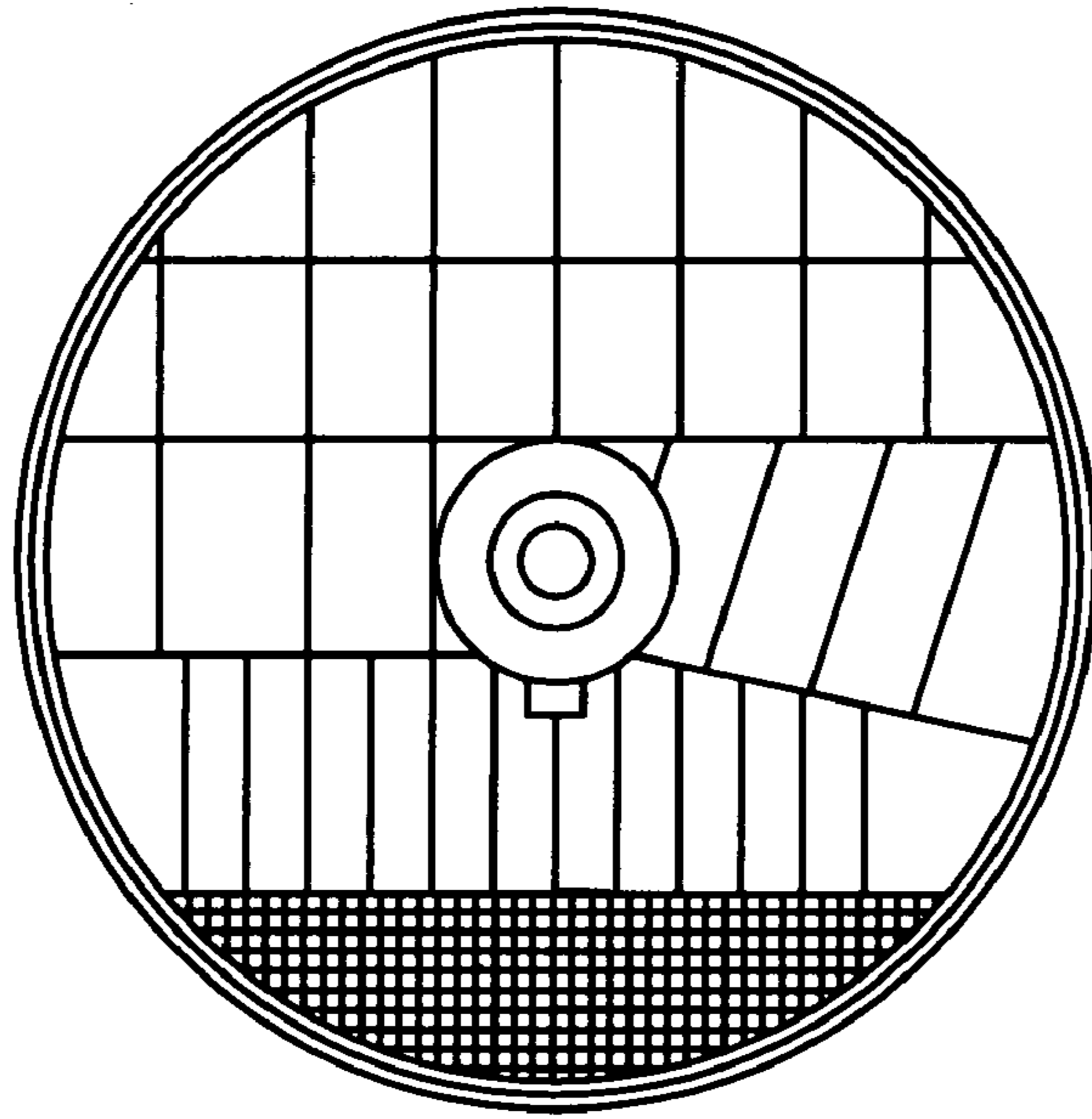


FIG. 1

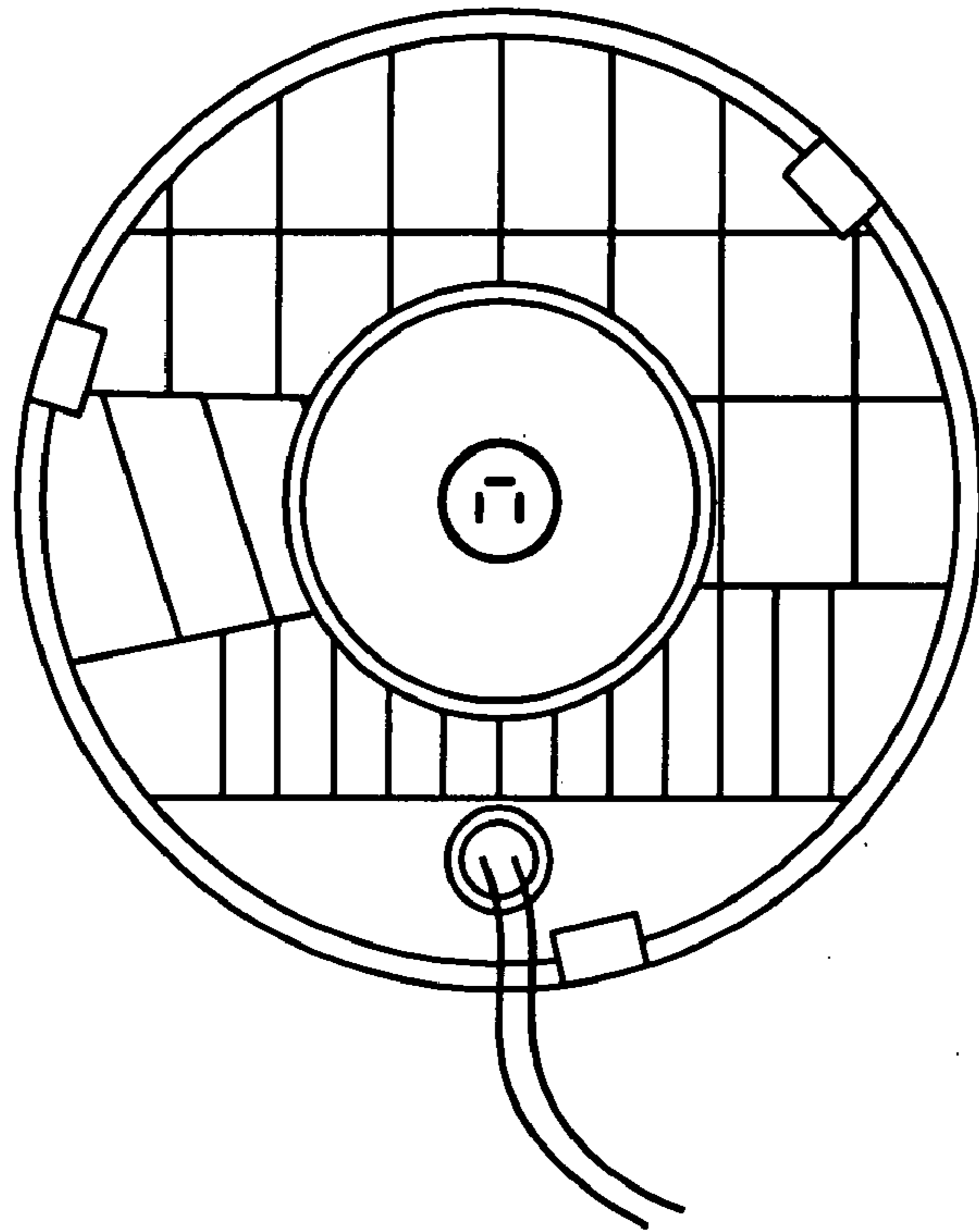


FIG. 2

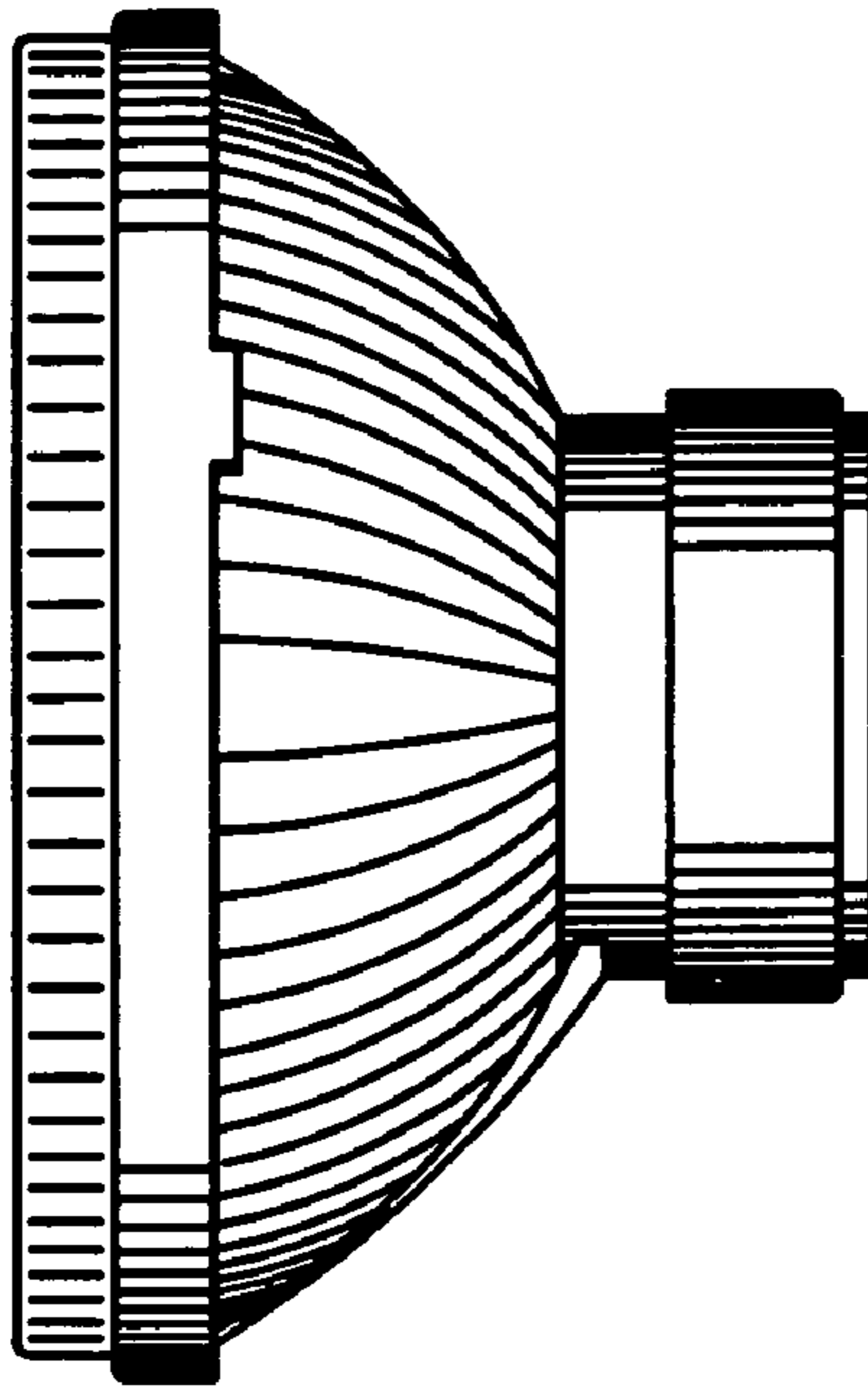


FIG. 3

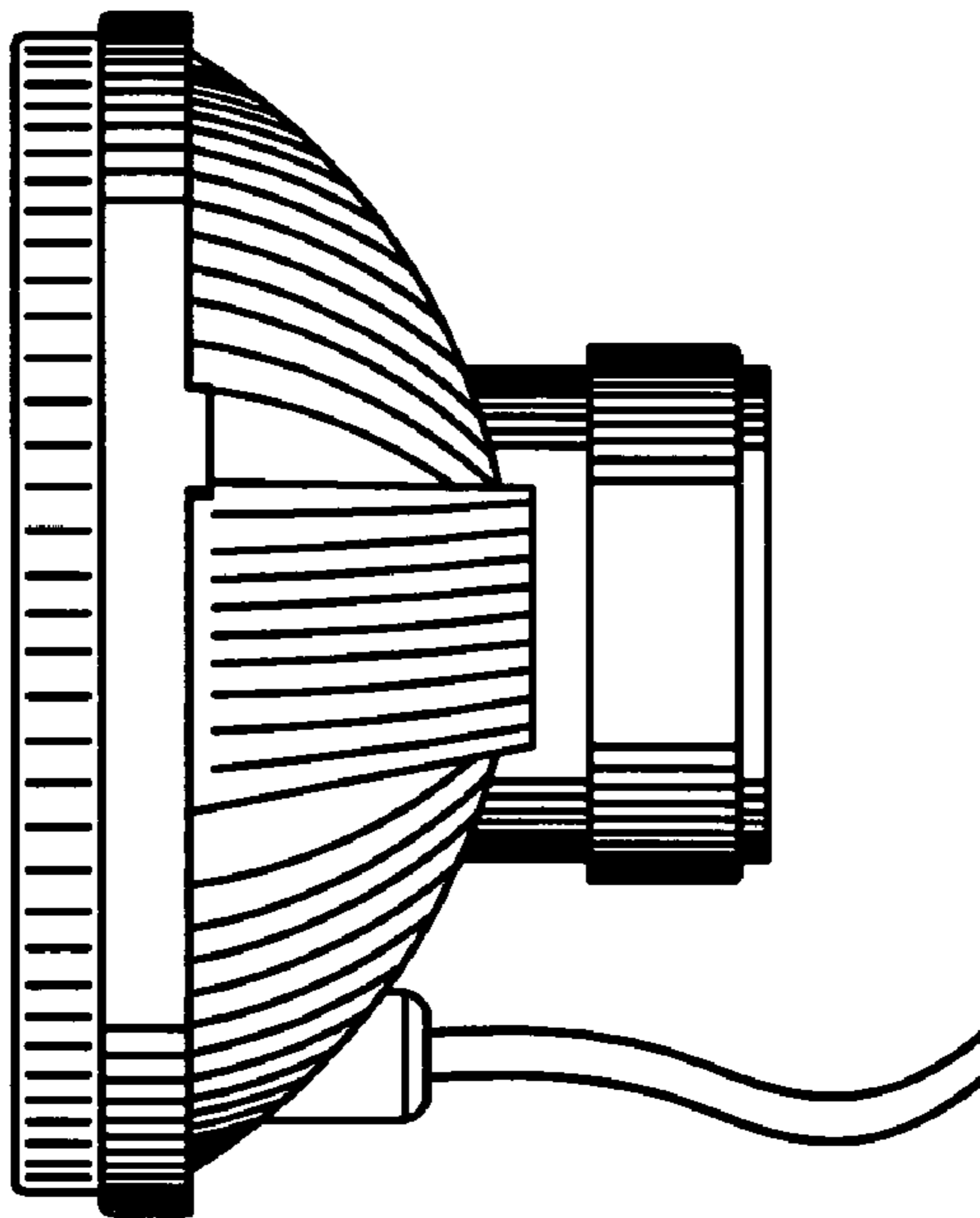


FIG. 4

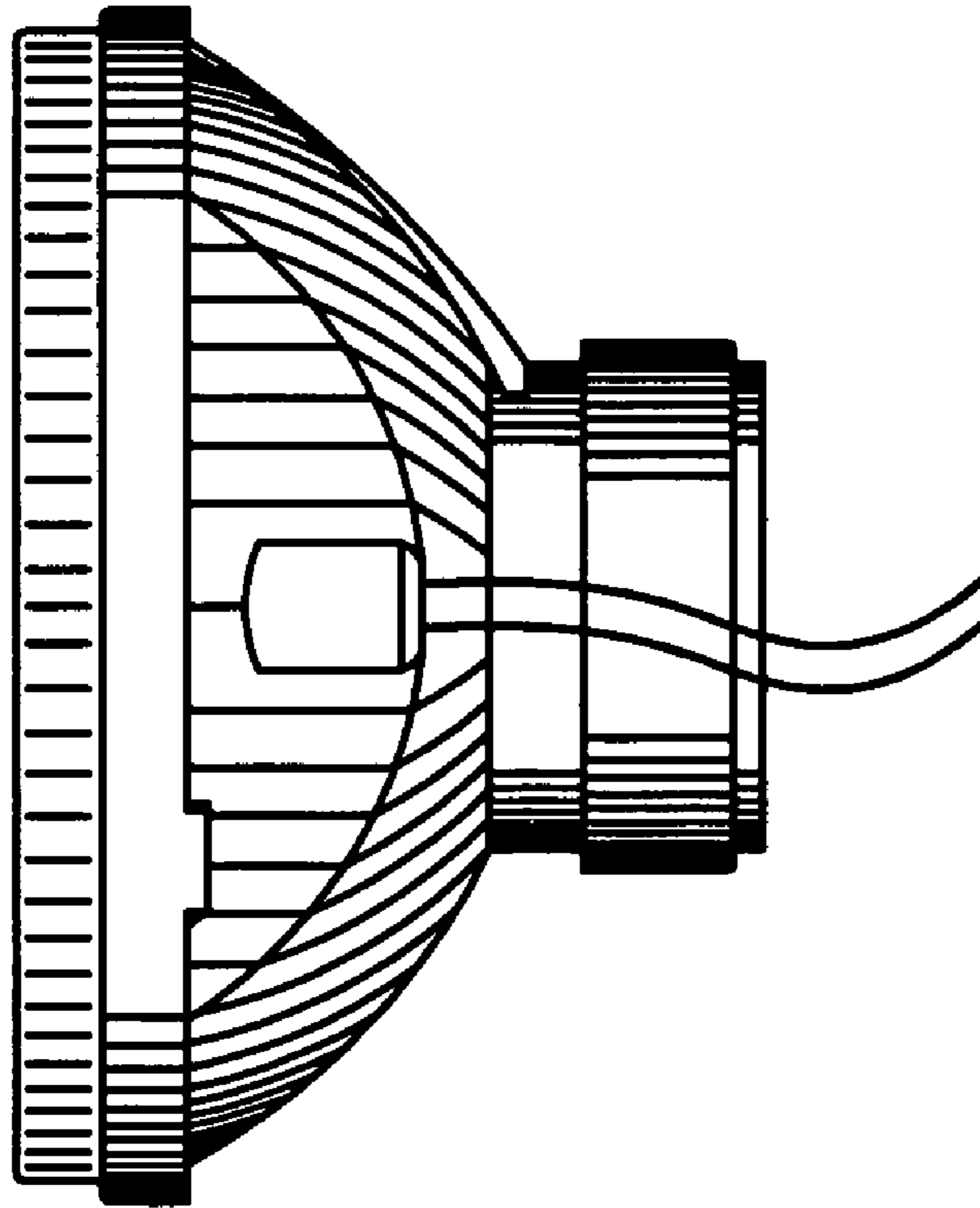


FIG. 5

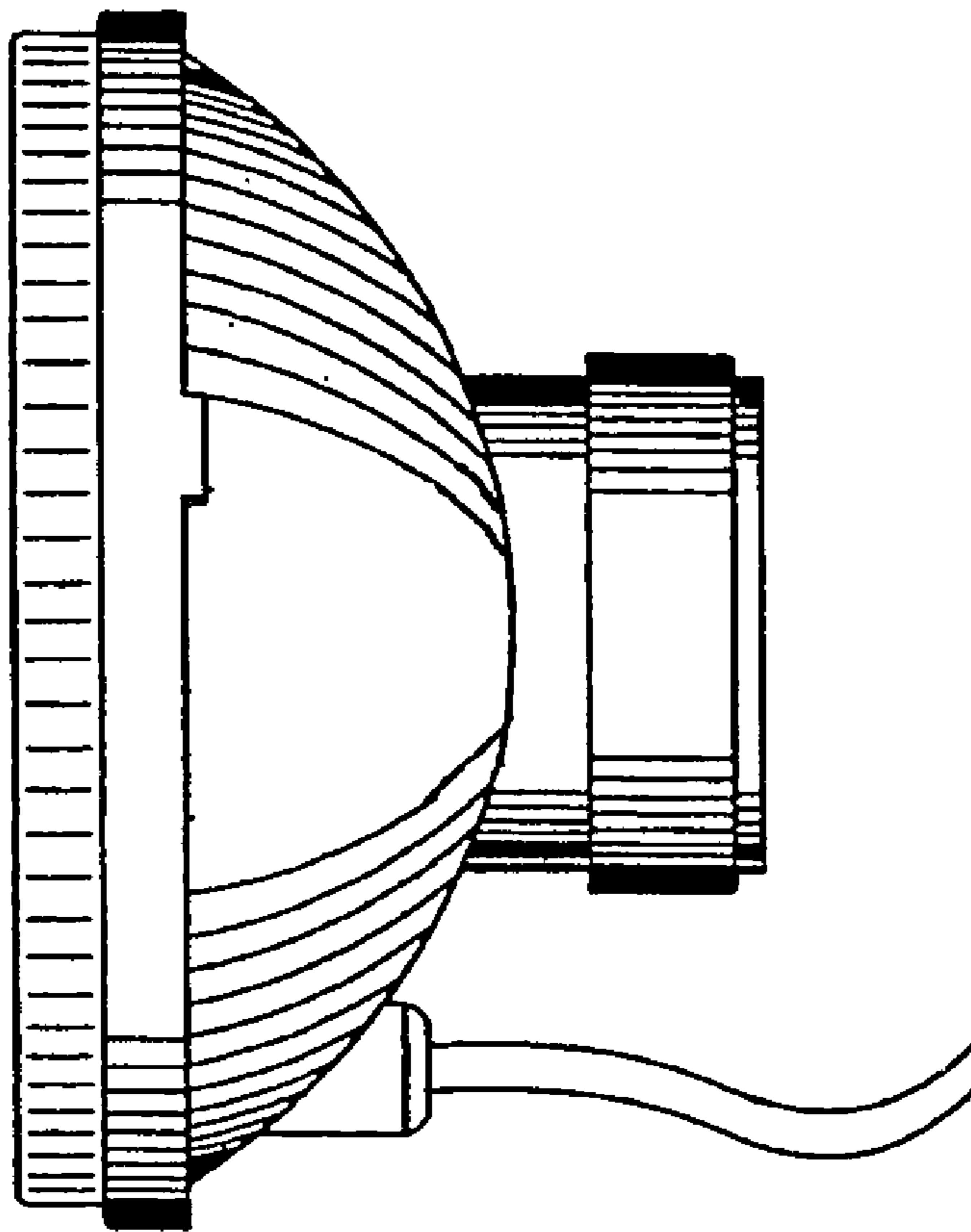


FIG. 6