

US00D594571S

(12) **United States Design Patent**
Campbell et al.

(10) **Patent No.:** **US D594,571 S**
(45) **Date of Patent:** **** Jun. 16, 2009**

(54) **WINDOW FRAME PROFILE**

(75) Inventors: **David Campbell**, Orillia (CA); **Elias Mancebo**, Barrie (CA)

(73) Assignee: **Royal Group, Inc.**, Atlanta, GA (US)

(**) Term: **14 Years**

(21) Appl. No.: **29/304,640**

(22) Filed: **Mar. 5, 2008**

D436,413 S	1/2001	Habeck et al.
D438,644 S	3/2001	Habeck et al.
D438,989 S	3/2001	Ballard et al.
D439,679 S	3/2001	Ballard et al.
D440,323 S	4/2001	Habeck et al.
D440,324 S	4/2001	Habeck et al.
D440,664 S	4/2001	Habeck et al.
D440,665 S	4/2001	Habeck et al.
D440,669 S	4/2001	Habeck et al.
D441,099 S	4/2001	Habeck et al.
D442,291 S	5/2001	Ballard et al.
D442,293 S *	5/2001	Habeck et al. D25/124
D444,894 S	7/2001	Marshall

(51) **LOC (9) Cl.** **25-01**

(52) **U.S. Cl.** **D25/124**

(58) **Field of Classification Search** D25/124,
D25/125; 52/204.1, 204.5, 204.51, 656.5,
52/656.6, 656.2, 730.3; 49/501, 504, DIG. 2
See application file for complete search history.

(56) **References Cited**

U.S. PATENT DOCUMENTS

4,831,781 A *	5/1989	Morton	49/504
5,099,624 A	3/1992	Valentin	
5,687,519 A *	11/1997	Bruchu	52/213
D402,054 S	12/1998	Leonelli	
D405,196 S	2/1999	Arcati et al.	
D406,653 S	3/1999	Morton et al.	
D412,585 S	8/1999	Arcati et al.	
D413,395 S	8/1999	Arcati et al.	
D417,919 S	12/1999	Hersh et al.	
6,006,478 A	12/1999	Hubner et al.	
D435,918 S	1/2001	Hauberg et al.	
D436,190 S	1/2001	Ballard et al.	
D436,412 S	1/2001	Hauberg et al.	

(Continued)

Primary Examiner—Doris Clark
(74) *Attorney, Agent, or Firm*—Hunton & Williams LLP

(57) **CLAIM**

We claim the ornamental design for a window frame profile, as shown and described.

DESCRIPTION

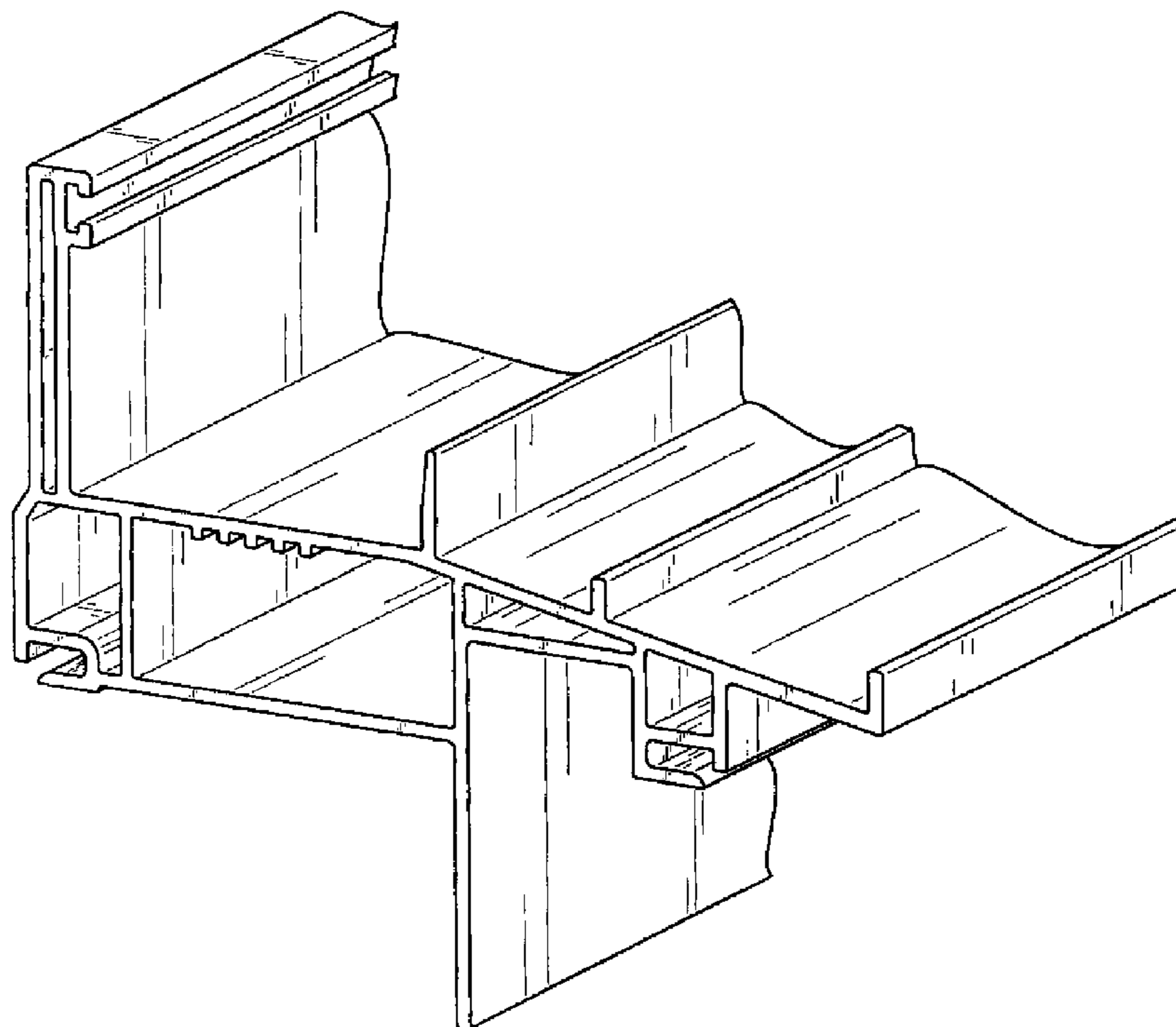
FIG. 1 is a fragmentary top right isometric view of a window frame profile showing the claimed design.

FIG. 2 is a fragmentary bottom left isometric view of the window frame profile of FIG. 1; and,

FIG. 3 is an end elevation view of the window frame profile of FIG. 1.

The claimed design is broken on the end to indicate indeterminate length.

1 Claim, 3 Drawing Sheets



US D594,571 S

Page 2

U.S. PATENT DOCUMENTS			
6,298,614	B1 *	10/2001	Fisher 52/204.1
D452,575	S	12/2001	Edger
D453,381	S	2/2002	Ballard et al.
D453,575	S	2/2002	Scalzott
D453,576	S	2/2002	Scalzott
D453,844	S	2/2002	Scalzott
D453,845	S	2/2002	Scalzott
D453,846	S	2/2002	Scalzott
D455,841	S	4/2002	Fisher et al.
D458,690	S	6/2002	Roberts et al.
D461,014	S	7/2002	Marshall
D461,256	S	8/2002	Ballard et al.
D461,570	S	8/2002	Ballard et al.
D466,623	S	12/2002	Ballard et al.
D466,627	S	12/2002	Morton et al.
D467,355	S	12/2002	Ballard et al.
D471,647	S	3/2003	Chaney et al.
D495,430	S	8/2004	Franson
D496,741	S *	9/2004	Franson D25/124
D496,742	S	9/2004	Franson
D500,561	S	1/2005	Franson
6,857,232	B2	2/2005	Bealko
D502,555	S	3/2005	Fannan
D505,503	S	5/2005	Wickland
7,017,319	B2 *	3/2006	Bowman 52/846
D537,540	S	2/2007	Franson
D539,932	S	4/2007	Fannan
D541,954	S	5/2007	Allen et al.
D542,422	S	5/2007	Franson
D546,975	S	7/2007	Allen et al.
D546,976	S	7/2007	Ye et al.
D546,977	S	7/2007	Ye et al.
D546,978	S	7/2007	Ye et al.
D546,979	S	7/2007	Ye et al.
D550,862	S	9/2007	Brabeck et al.
D552,260	S	10/2007	Franson
D552,261	S	10/2007	Wickland
D552,262	S	10/2007	Wickland
D552,761	S	10/2007	Wickland
D552,762	S	10/2007	Wickland
D552,763	S	10/2007	Wickland
D552,764	S	10/2007	Wickland
D553,262	S	10/2007	Wickland
D553,762	S	10/2007	Schrader
D554,776	S	11/2007	Fannan
2002/0078640	A1 *	6/2002	Petta 52/204.1
2003/0159374	A1	8/2003	Burgess
2004/0000093	A1	1/2004	Guelck

* cited by examiner

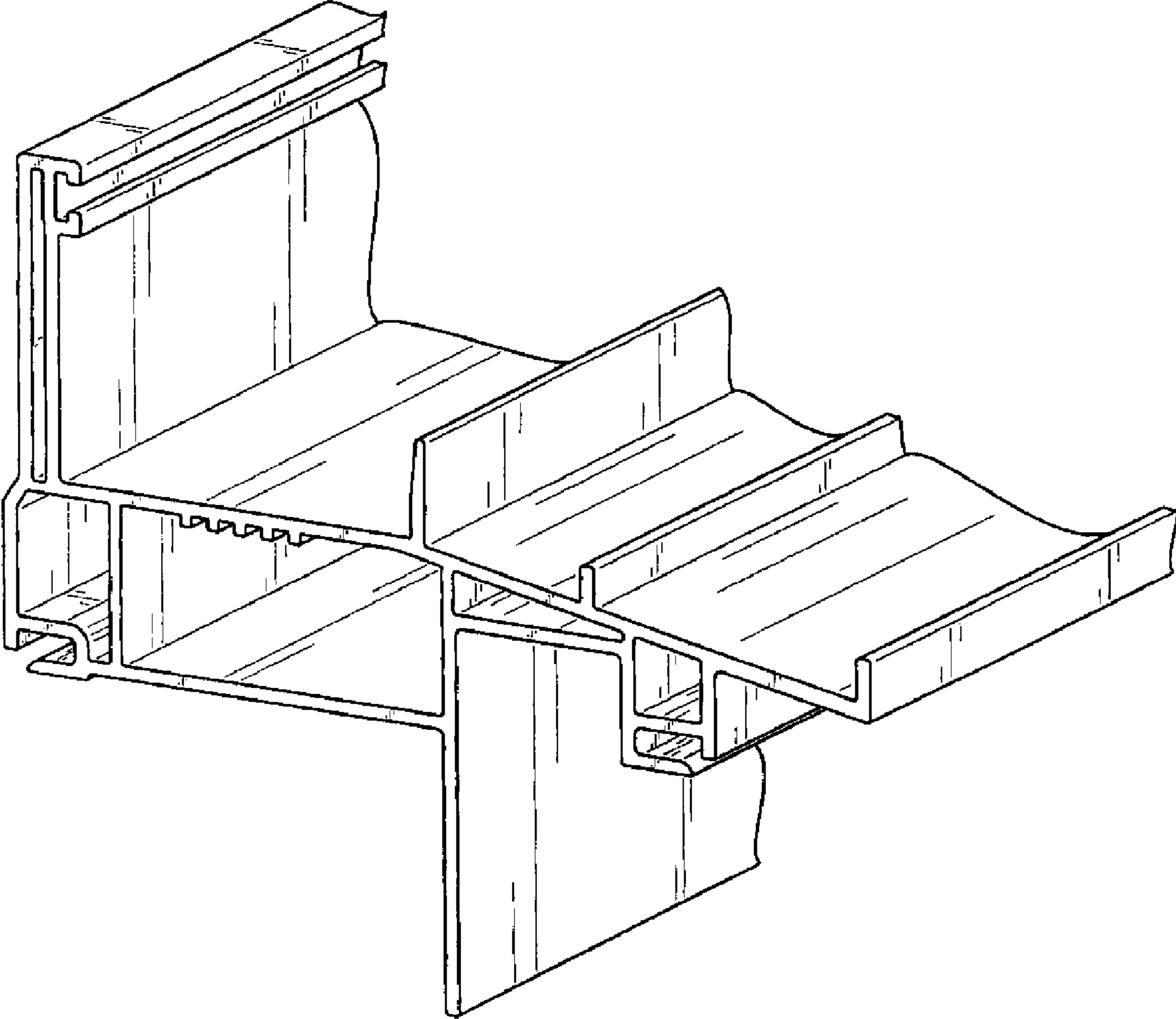


FIG. 1

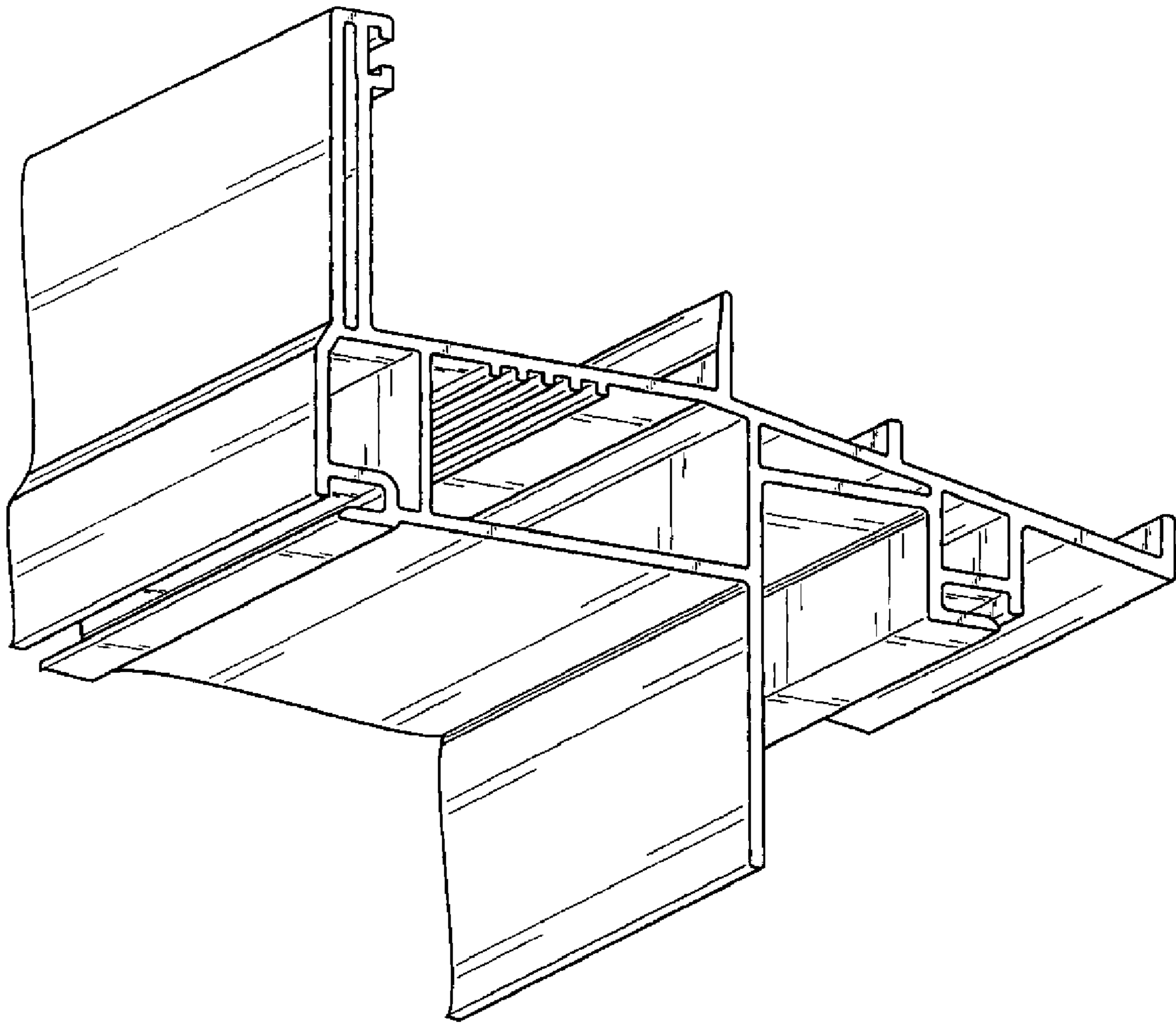


FIG. 2

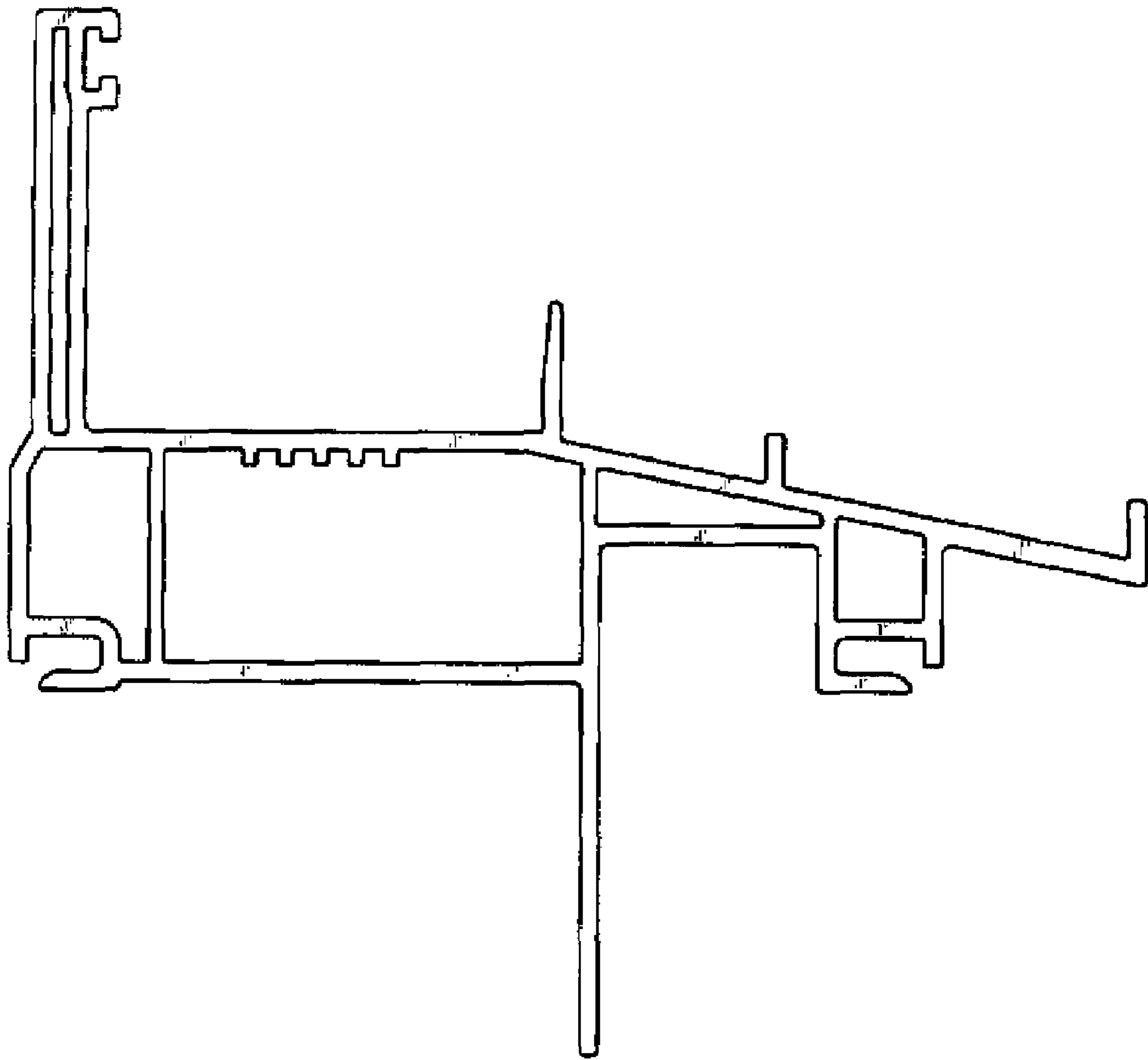


FIG. 3