



US00D594568S

(12) **United States Design Patent**
Campbell et al.

(10) **Patent No.:** **US D594,568 S**
(45) **Date of Patent:** **** Jun. 16, 2009**

- (54) **WINDOW FRAME PROFILE**
- (75) Inventors: **David Campbell**, Orillia (CA); **Elias Mancebo**, Barrie (CA)
- (73) Assignee: **Royal Group, Inc.**, Atlanta, GA (US)
- (**) Term: **14 Years**
- (21) Appl. No.: **29/304,632**
- (22) Filed: **Mar. 5, 2008**
- (51) **LOC (9) Cl.** **25-01**
- (52) **U.S. Cl.** **D25/124**
- (58) **Field of Classification Search** D25/124, D25/125; 52/204.1, 204.5, 204.51, 656.5, 52/656.6, 656.2, 730.3; 49/501, 504, DIG. 2
See application file for complete search history.

D442,293 S *	5/2001	Habeck et al.	D25/124
D444,894 S	7/2001	Marshall		
6,298,614 B1 *	10/2001	Fisher	52/204.1
D452,575 S	12/2001	Edger		
D453,381 S	2/2002	Ballard et al.		
D453,575 S	2/2002	Scalzott		
D453,576 S	2/2002	Scalzott		
D453,844 S	2/2002	Scalzott		
D453,845 S	2/2002	Scalzott		
D453,846 S	2/2002	Scalzott		
D455,841 S	4/2002	Fisher et al.		
D458,690 S	6/2002	Roberts et al.		
D461,014 S	7/2002	Marshall		
D461,256 S	8/2002	Ballard et al.		
D461,570 S	8/2002	Ballard et al.		
D466,623 S	12/2002	Ballard et al.		

(Continued)

(56) **References Cited**
U.S. PATENT DOCUMENTS

4,831,781 A *	5/1989	Morton	49/504
5,099,624 A	3/1992	Valentin		
5,687,519 A *	11/1997	Bruchu	52/213
D402,054 S	12/1998	Leonelli		
D405,196 S	2/1999	Arcati et al.		
D406,653 S	3/1999	Morton et al.		
D412,585 S	8/1999	Arcati et al.		
D413,395 S	8/1999	Arcati et al.		
D417,919 S	12/1999	Hersh et al.		
6,006,478 A	12/1999	Hubner et al.		
D435,918 S	1/2001	Hauberg et al.		
D436,190 S	1/2001	Ballard et al.		
D436,412 S	1/2001	Hauberg et al.		
D436,413 S	1/2001	Habeck et al.		
D438,644 S	3/2001	Habeck et al.		
D438,989 S	3/2001	Ballard et al.		
D439,679 S	3/2001	Ballard et al.		
D440,323 S	4/2001	Habeck et al.		
D440,324 S	4/2001	Habeck et al.		
D440,664 S	4/2001	Habeck et al.		
D440,665 S	4/2001	Habeck et al.		
D440,669 S	4/2001	Habeck et al.		
D441,099 S	4/2001	Habeck et al.		
D442,291 S	5/2001	Ballard et al.		

Primary Examiner—Doris Clark
(74) *Attorney, Agent, or Firm*—Hunton & Williams LLP

(57) **CLAIM**

We claim the ornamental design for a window frame profile, as shown and described.

DESCRIPTION

FIG. 1 is a fragmentary top right isometric view of a window frame profile showing the claimed design.

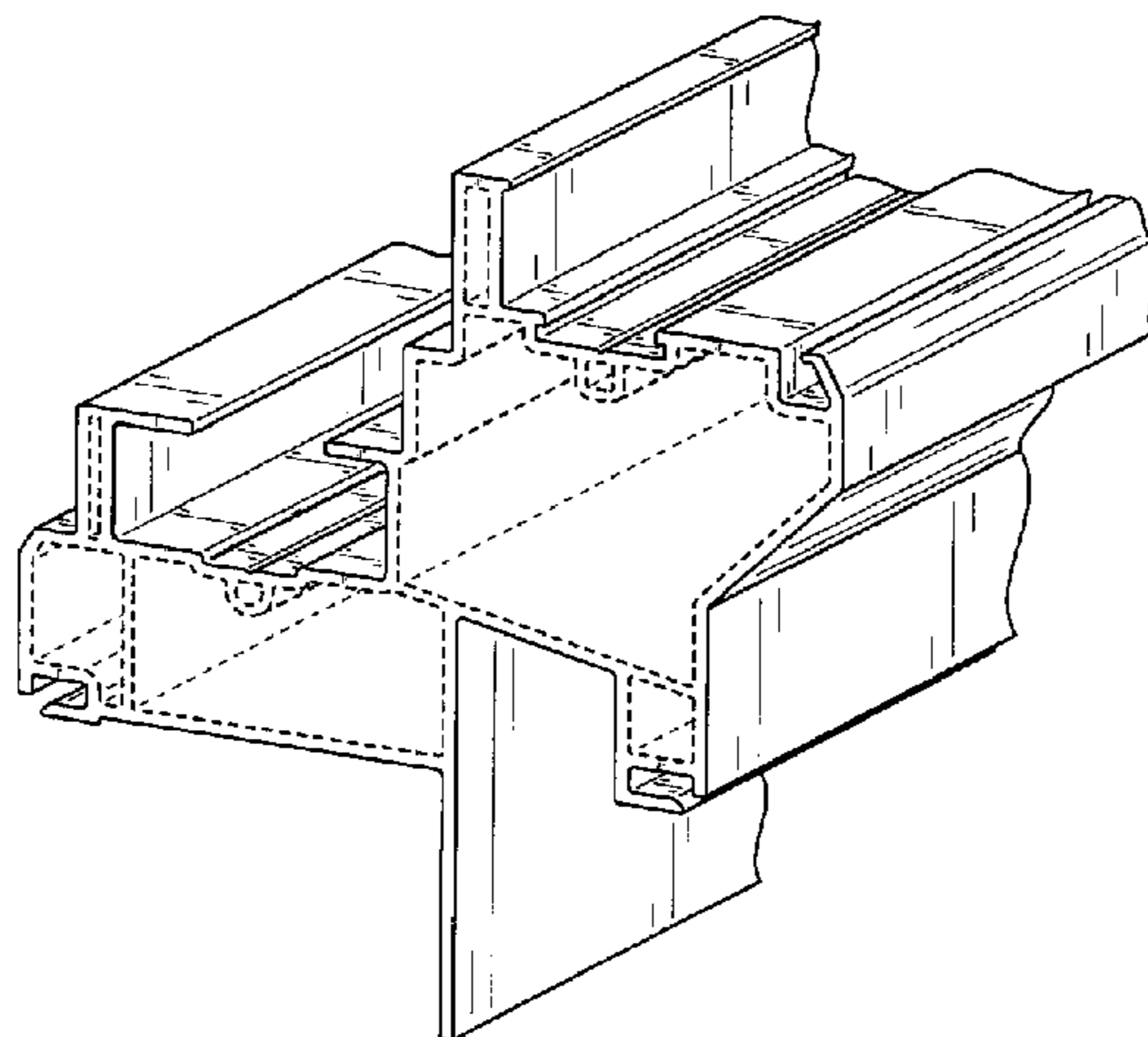
FIG. 2 is a fragmentary bottom left isometric view of the window frame profile of FIG. 1; and,

FIG. 3 is an end elevation view of the window frame profile of FIG. 1.

The claimed design is broken on the end to indicate indeterminate length.

The broken lines are for illustrative purposes only and form no part of the claimed design.

1 Claim, 3 Drawing Sheets



US D594,568 S

Page 2

U.S. PATENT DOCUMENTS

D466,627 S	12/2002	Morton et al.	D546,977 S	7/2007	Ye
D467,355 S	12/2002	Ballard et al.	D546,978 S	7/2007	Ye
D471,647 S	3/2003	Chaney et al.	D546,979 S	7/2007	Ye
D495,430 S	8/2004	Franson	D550,862 S	9/2007	Brabeck et al.
D496,741 S *	9/2004	Franson D25/124	D552,260 S	10/2007	Franson
D496,742 S	9/2004	Franson	D552,261 S	10/2007	Wickland
D500,561 S	1/2005	Franson	D552,262 S	10/2007	Wickland
6,857,232 B2	2/2005	Bealko	D552,761 S	10/2007	Wickland
D502,555 S	3/2005	Fannan	D552,762 S	10/2007	Wickland
D505,503 S	5/2005	Wickland	D552,763 S	10/2007	Wickland
7,017,319 B2 *	3/2006	Bowman 52/846	D552,764 S	10/2007	Wickland
D537,540 S	2/2007	Franson	D553,262 S	10/2007	Wickland
D539,932 S	4/2007	Fannan	D553,762 S	10/2007	Schrader
D541,954 S	5/2007	Allen et al.	D554,776 S	11/2007	Fannan
D542,422 S	5/2007	Franson	2002/0078640 A1 *	6/2002	Petta 52/204.1
D546,975 S	7/2007	Allen et al.	2003/0159374 A1	8/2003	Burgess
D546,976 S	7/2007	Ye	2004/0000093 A1	1/2004	Guelck

* cited by examiner

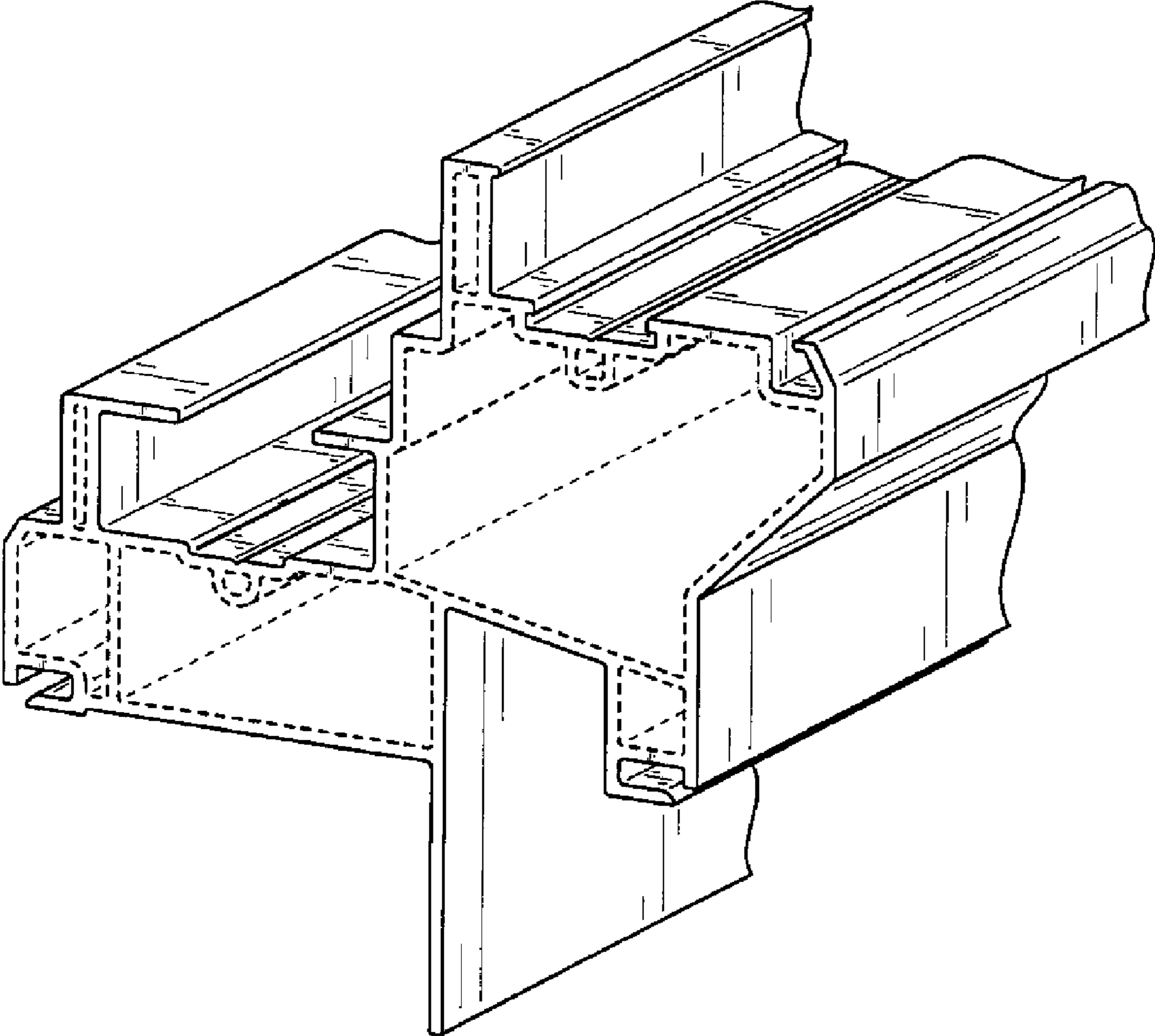


FIG. 1

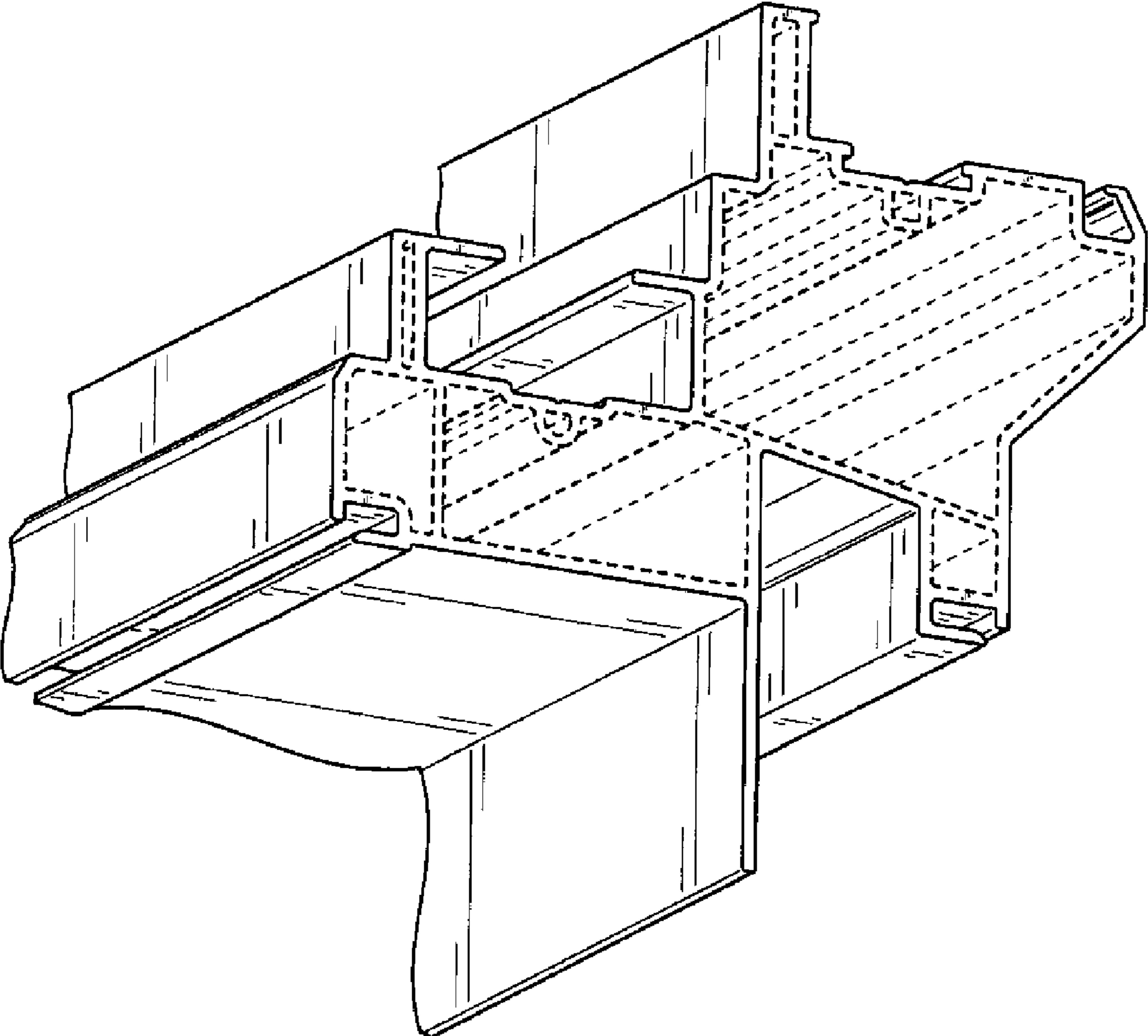


FIG. 2

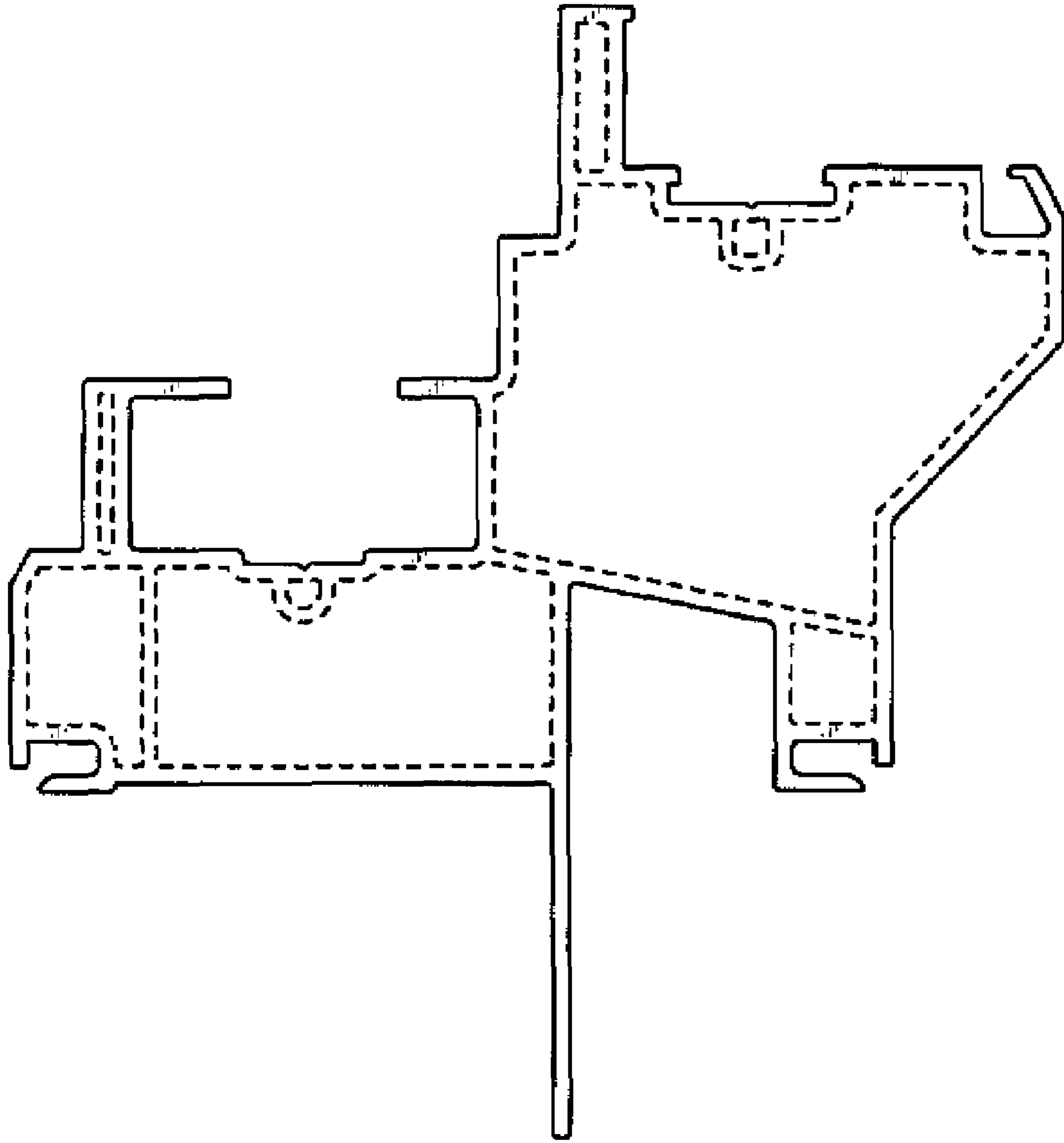


FIG. 3