



US00D594564S

(12) **United States Design Patent**  
**Disch et al.**

(10) **Patent No.:** **US D594,564 S**  
(45) **Date of Patent:** **\*\* Jun. 16, 2009**

(54) **STAIR TREAD PLATE**

(75) Inventors: **Thomas R. Disch**, Lake Bluff, IL (US);  
**Christopher Siskovic**, Libertyville, IL (US)

(73) Assignee: **Handi Products, Inc.**, Libertyville, IL (US)

(\*\*) Term: **14 Years**

(21) Appl. No.: **29/293,272**

(22) Filed: **Nov. 13, 2007**

(51) **LOC (9) Cl.** ..... **25-04**

(52) **U.S. Cl.** ..... **D25/69**

(58) **Field of Classification Search** ..... D25/69;  
52/174, 177, 179, 188, 190

See application file for complete search history.

(56) **References Cited**

U.S. PATENT DOCUMENTS

2,278,554 A	4/1942	Morton	
2,326,963 A	8/1943	Morton	
2,421,171 A *	5/1947	Trautvetter et al. ....	52/180
3,699,926 A *	10/1972	Stockl .....	119/526

(Continued)

OTHER PUBLICATIONS

Handi-Ramp web pages, Non-Slip Surface That Works in Water, Ice and Snow, [http://www.handiramp.com/non\\_skid\\_water.htm](http://www.handiramp.com/non_skid_water.htm), 4 pages, dated Feb. 9, 2006.

Handi-Ramp: New York Times Excerpt, <http://www.handiramp.com/news/NYTEXcerpt.htm>, 3 pages, dated Dec. 22, 2005.

Direct Metals web pages, 2 pages, <http://www.directmetals.com>, date unknown.

Amico Grating web pages, Safety-Tread Flooring, 7 pages,, <http://www.amico-grating.com>, date un-known.

McNichols web pages, Perforated Round Display Panel, 3 pages, <http://www.mcnichols.com>, date un-known.

*Primary Examiner*—Doris Clark

(74) *Attorney, Agent, or Firm*—Ryan Kromholz & Manion, S.C.

(57) **CLAIM**

The ornamental design for a stair tread plate, as shown and described.

**DESCRIPTION**

FIG. 1 is a perspective view of a stair tread plate.

FIG. 2 is a top plan view thereof.

FIG. 3 is a bottom plan view thereof.

FIG. 4 is a front elevation view thereof, the rear being identical thereto.

FIG. 5 is a right side elevation view thereof, the left side being identical thereto.

FIG. 6 is a perspective view of a second embodiment of a stair tread plate.

FIG. 7 is a top plan view thereof.

FIG. 8 is a bottom plan view thereof.

FIG. 9 is a front elevation view thereof, the rear being identical thereto.

FIG. 10 is a right side elevation view thereof; the left side being identical thereto.

FIG. 11 is a perspective view of a third embodiment of a stair tread plate.

FIG. 12 is a top plan view thereof.

FIG. 13 is a bottom plan view thereof.

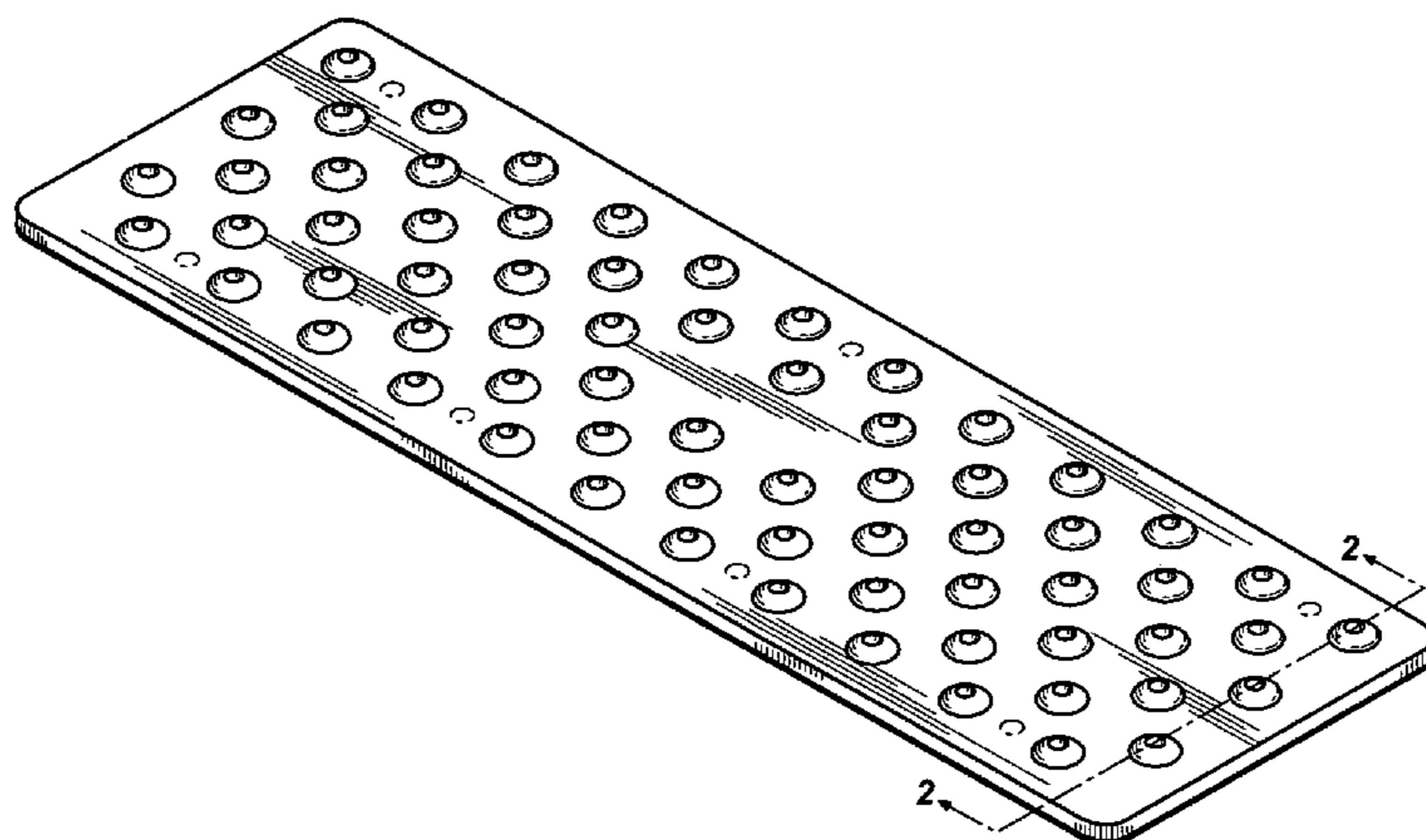
FIG. 14 is a front elevation view thereof, the rear being identical thereto; and,

FIG. 15 is a right side elevation view thereof, the left side being identical thereto.

The claimed design is broken in the center to indicate indefinite length.

The broken lines are for illustrative purposes only and form no part of the claimed design.

**1 Claim, 8 Drawing Sheets**



# US D594,564 S

Page 2

---

## U.S. PATENT DOCUMENTS

3,788,118	A	1/1974	Joseph	6,101,859	A	8/2000	Shieh		
4,188,814	A	2/1980	Dodge et al.	D434,158	S	*	11/2000	Armstrong et al. .... D25/69	
4,343,119	A	8/1982	Bahnfleth	D437,427	S		2/2001	Shaffer	
4,715,743	A	*	12/1987	Schmanski ..... 404/9	D479,338	S	*	9/2003	Hennessy et al. .... D25/63
4,749,191	A	*	6/1988	Gipson et al. .... 280/164.2	6,722,177	B1	4/2004	Walsh	
5,007,275	A	4/1991	Voss	7,021,109	B2	4/2006	Ohno et al.		
5,735,155	A	4/1998	Morton et al.	7,162,839	B2	1/2007	Ohno et al.		
D406,363	S	3/1999	Molnar	7,188,506	B2	3/2007	Bullen		

\* cited by examiner

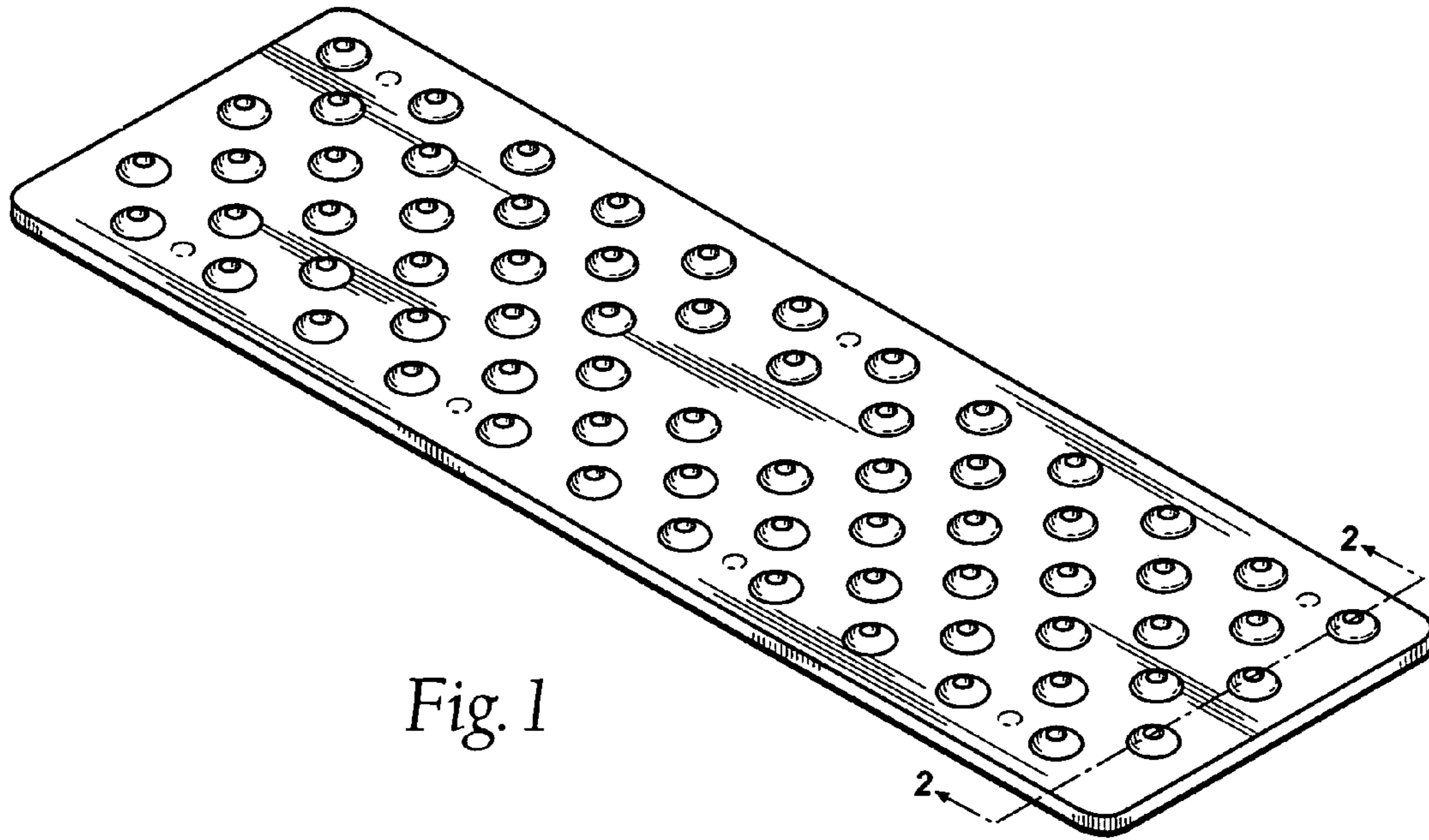


Fig. 1



Fig. 2

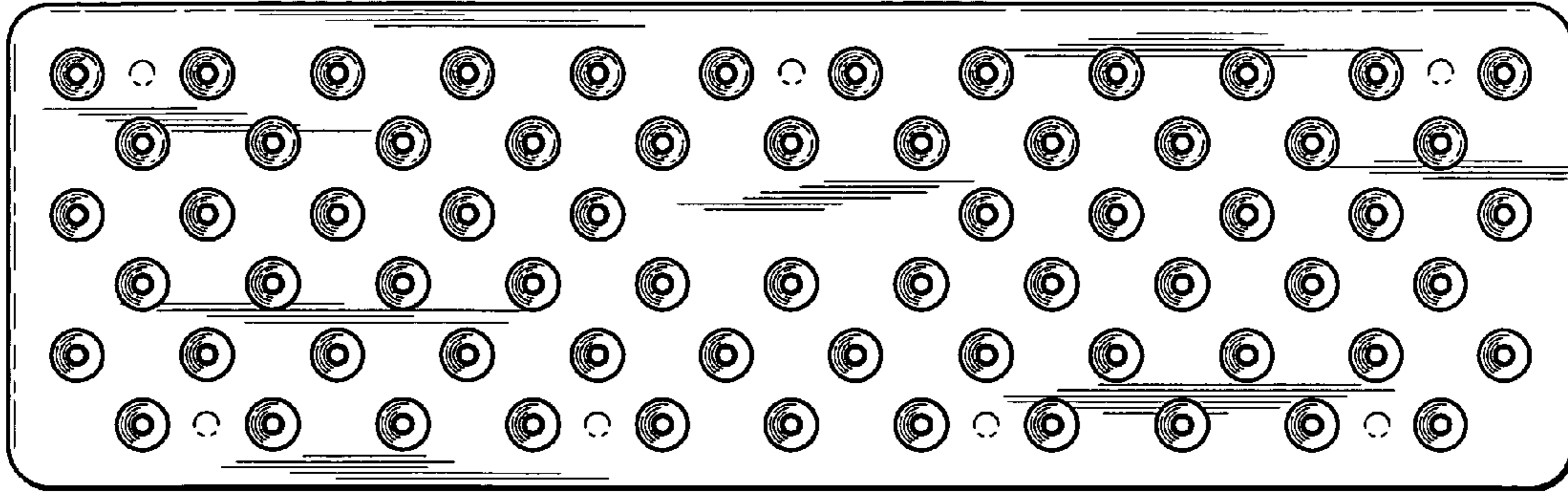


Fig. 3

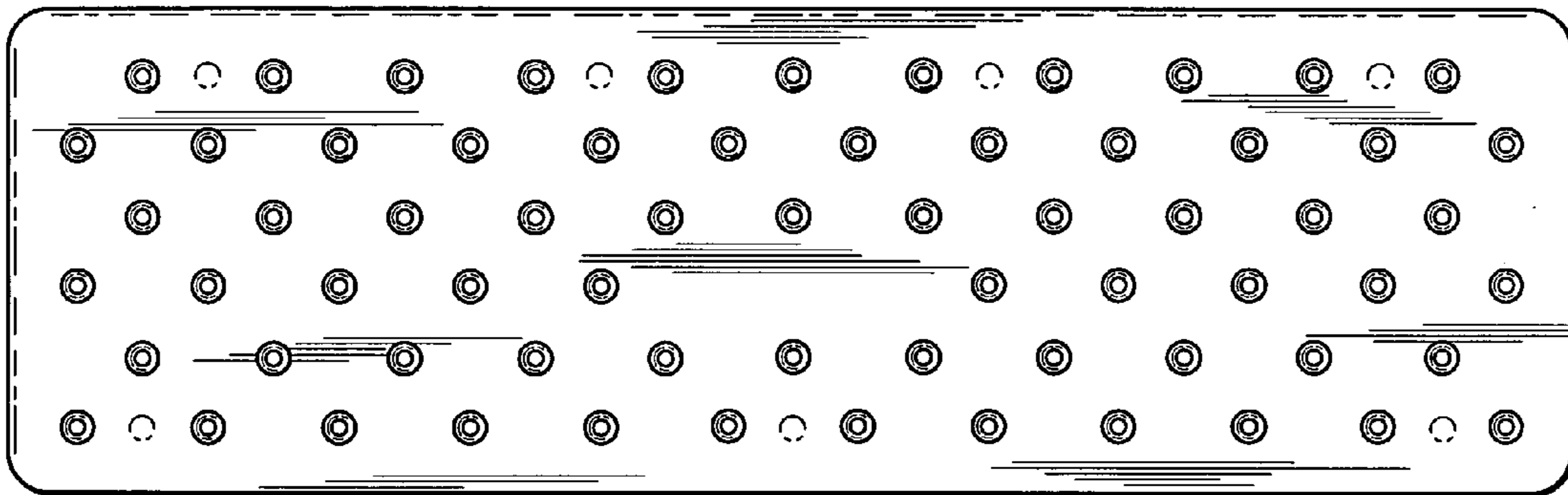


Fig. 4



Fig. 5



Fig. 6

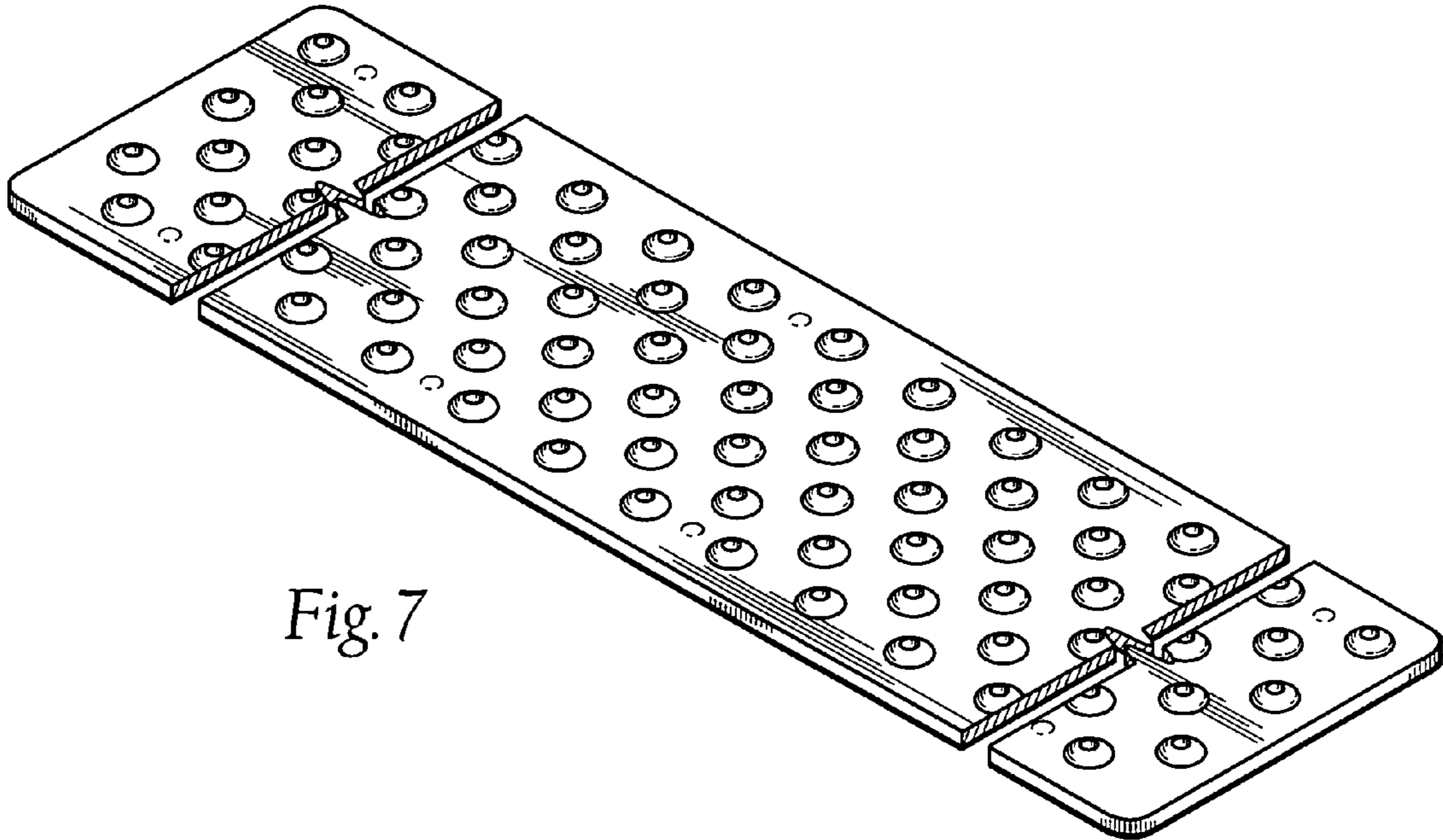


Fig. 7

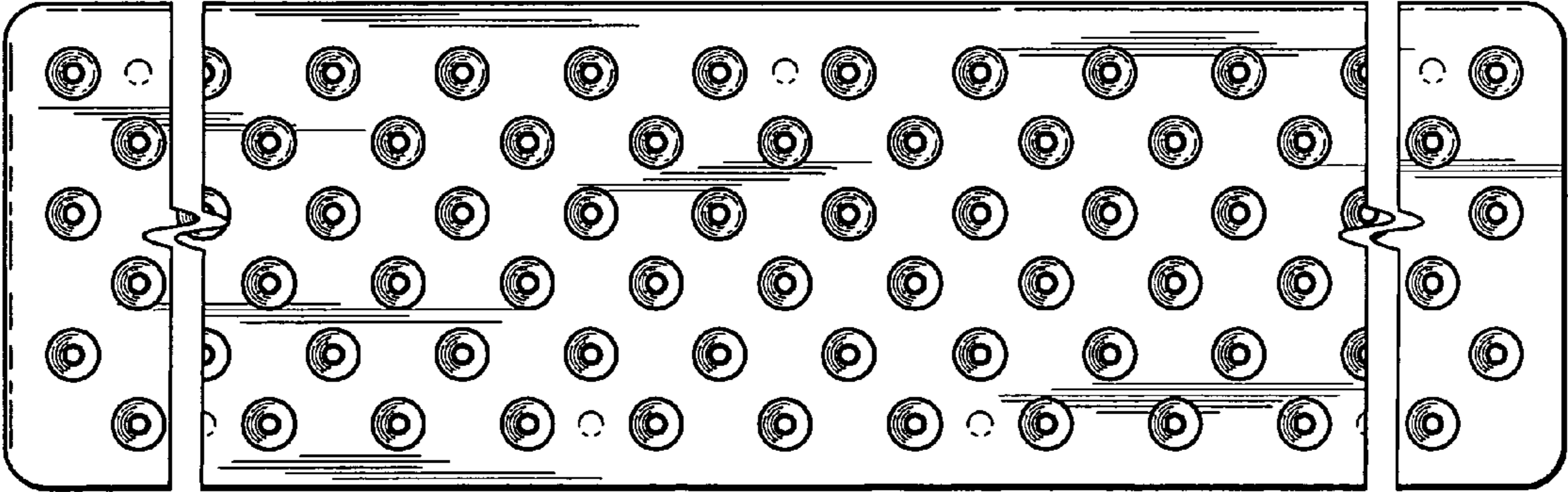


Fig. 8

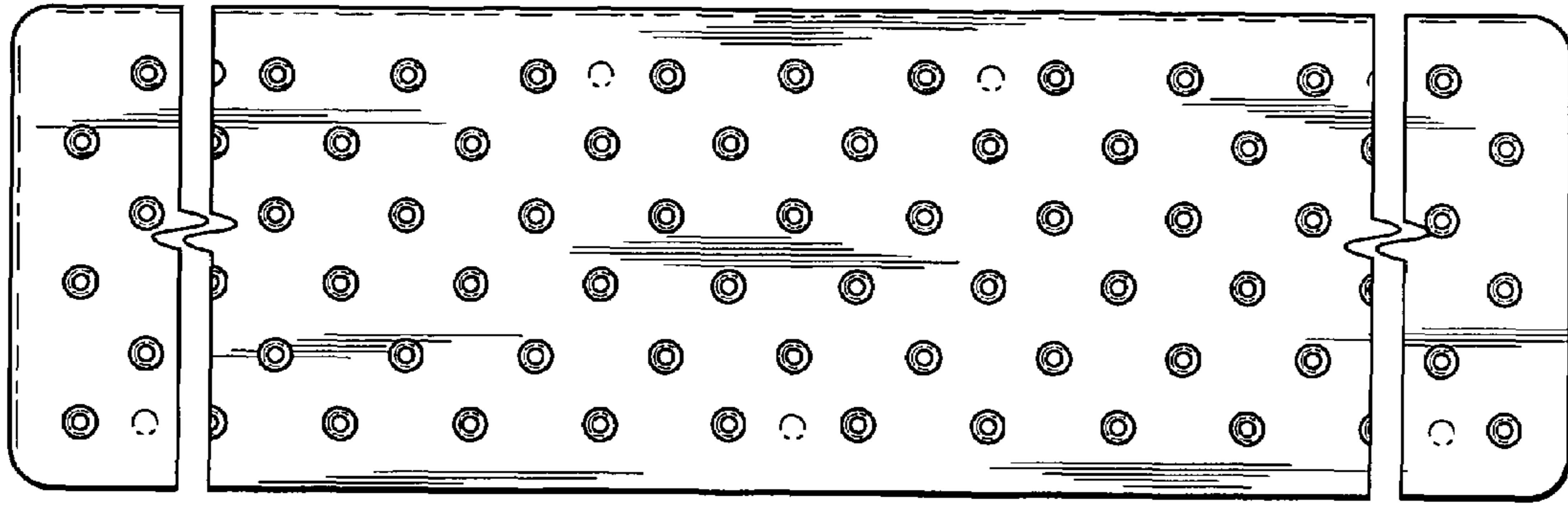


Fig. 9



Fig. 10



Fig. 11

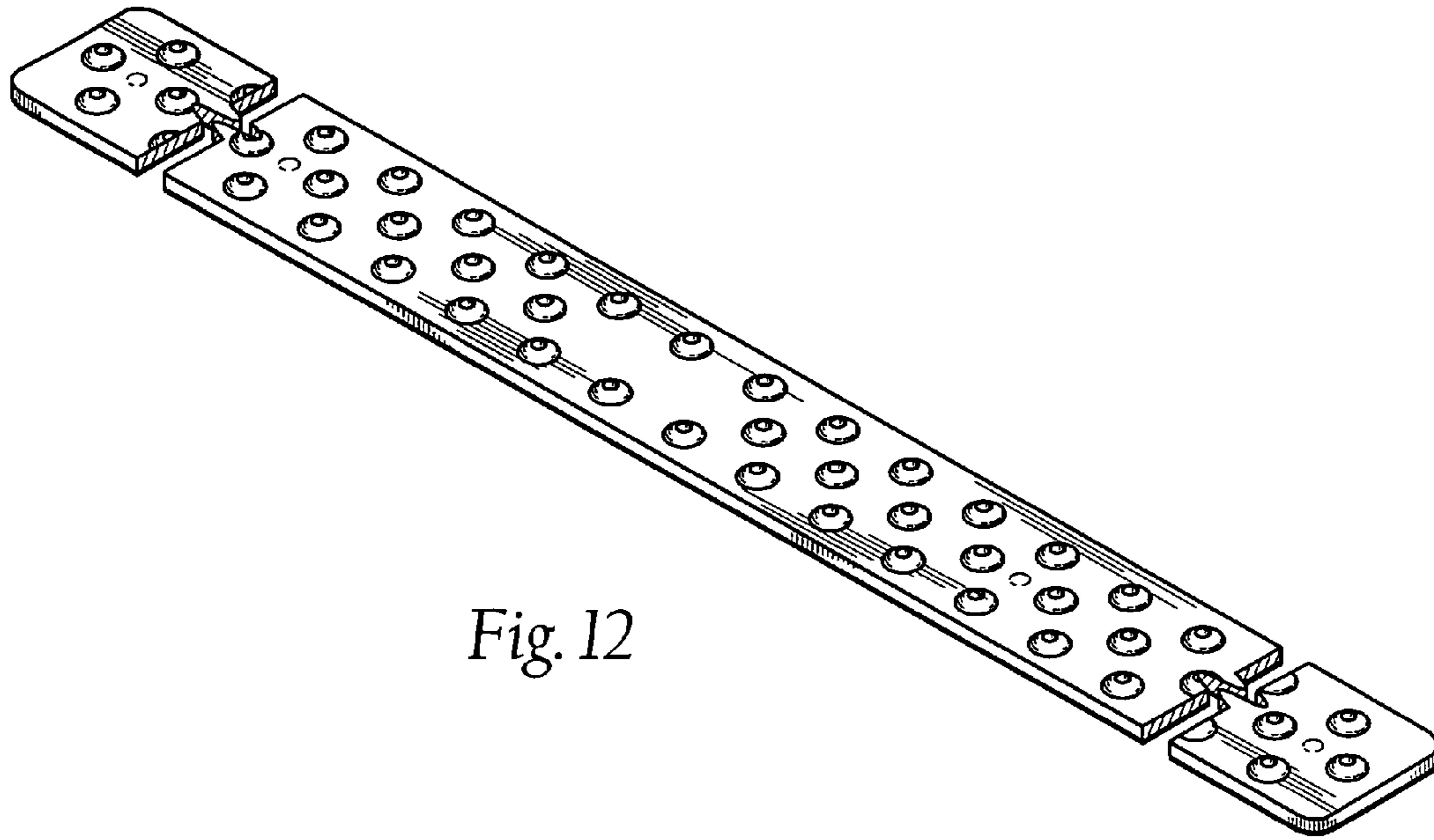


Fig. 12

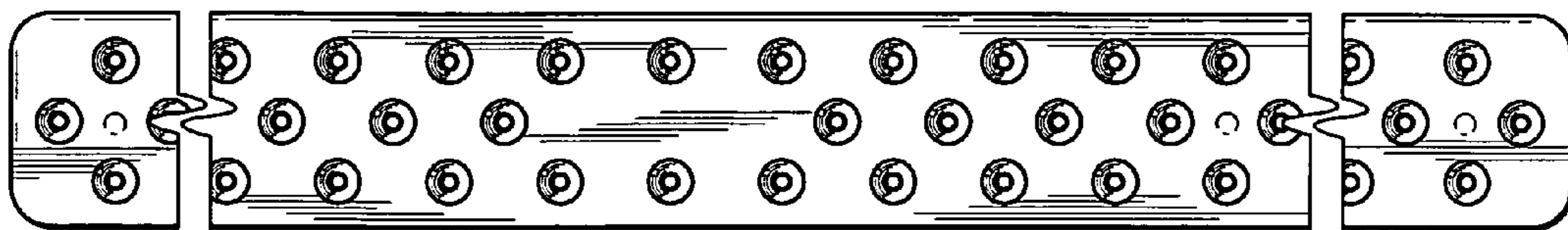


Fig. 13

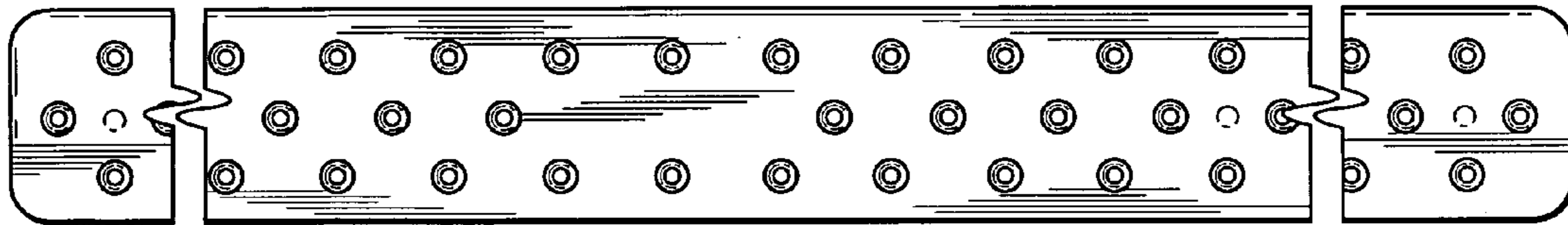


Fig. 14



Fig. 15



Fig. 16



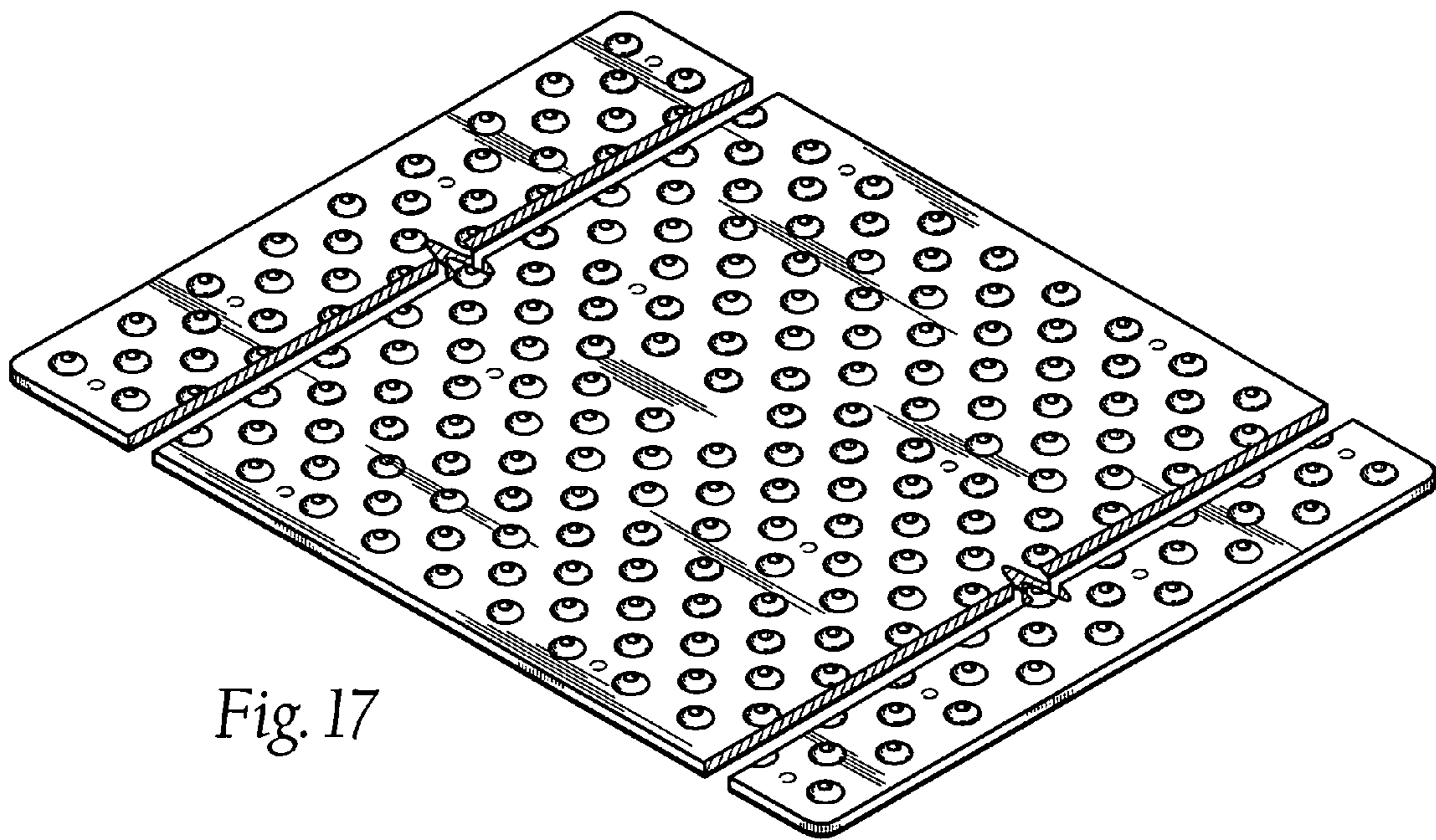


Fig. 17

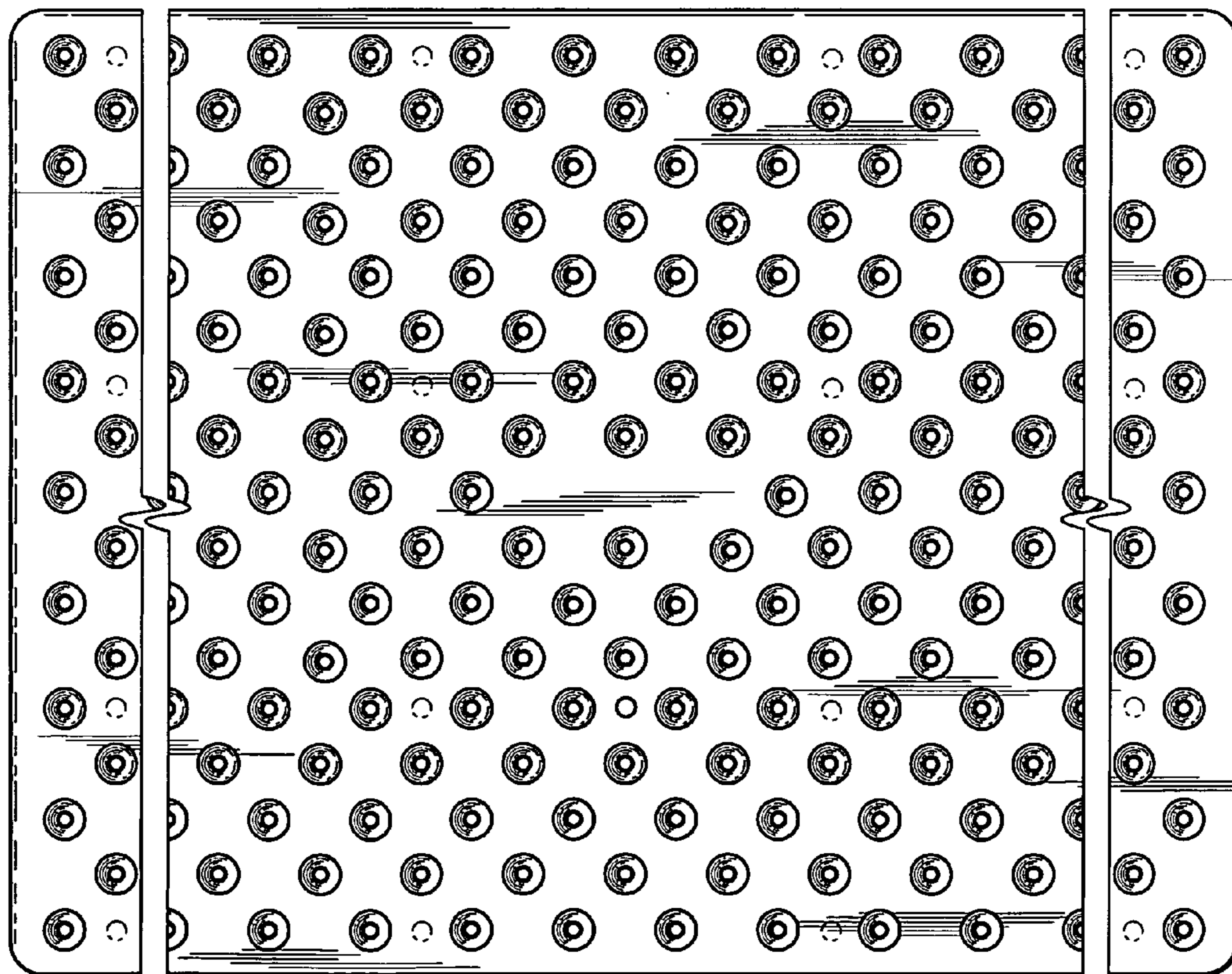


Fig. 18

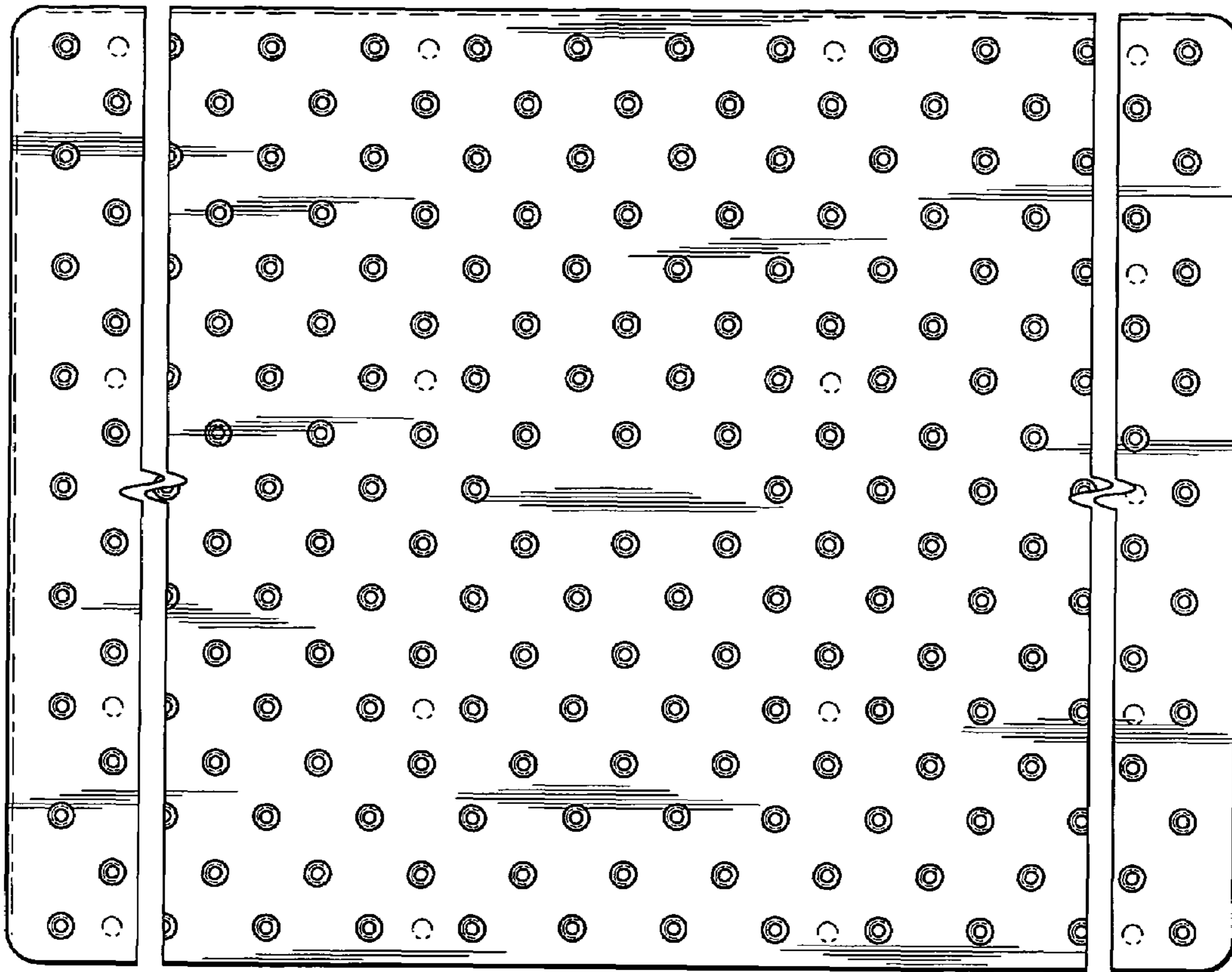


Fig. 19



Fig. 20



Fig. 21

UNITED STATES PATENT AND TRADEMARK OFFICE  
**CERTIFICATE OF CORRECTION**

PATENT NO. : D594,564 S  
APPLICATION NO. : 29/293272  
DATED : June 16, 2009  
INVENTOR(S) : Thomas R. Disch et al.

Page 1 of 2

It is certified that error appears in the above-identified patent and that said Letters Patent is hereby corrected as shown below:

On the Title Page

Before the description of FIG. 1, insert the following text:

--FIG. 1 is a perspective view of a first embodiment according to the present invention.

FIG. 2 is a cross-section view taken along line 2-2 of FIG. 1.

FIG. 3 is a top plan view of the embodiment of FIG. 1.

FIG. 4 is a bottom plan view of the embodiment of FIG. 1.

FIG. 5 is a front elevation view of the embodiment of FIG. 1, to which the rear elevation view is identical.

FIG. 6 is a right side elevation view of the embodiment of FIG. 1, to which the left side elevation view is identical.--

At the description of FIG. 1, delete "FIG. 1" and insert --FIG. 7--; delete "stair tread plate" and insert --second embodiment according to the present invention--

At the description of FIG. 2, delete "FIG. 2" and insert --FIG. 8--; delete "thereof" and insert --of the embodiment of FIG. 7--

At the description of FIG. 3, delete "FIG. 3" and insert --FIG. 9--; delete "thereof" and insert --of the embodiment of FIG. 7--

At the description of FIG. 4, delete "FIG. 4" and insert --FIG. 10--; delete "thereof, the rear being identical thereto" and insert --of the embodiment of FIG. 7, to which the rear elevation view is identical--

At the description of FIG. 5, delete "FIG. 5" and insert --FIG. 11--; delete "thereof, the left side being identical thereto" and insert --of the embodiment of FIG. 7, to which the left side elevation view is identical--

Signed and Sealed this  
Seventh Day of July, 2015



Michelle K. Lee  
Director of the United States Patent and Trademark Office

At the description of FIG. 6, delete "FIG. 6" and insert --FIG. 12--; delete "second embodiment of a stair tread plate" and insert --third embodiment according to the present invention--

At the description of FIG. 7, delete "FIG. 7" and insert --FIG. 13--; delete "thereof" and insert --of the embodiment of FIG. 12--

At the description of FIG. 8, delete "FIG. 8" and insert --FIG. 14--; delete "thereof" and insert --of the embodiment of FIG. 12--

At the description of FIG. 9, delete "FIG. 9" and insert --FIG. 15--; delete "thereof, the rear being identical thereto" and insert --of the embodiment of FIG. 12, to which the rear elevation view is identical--

At the description of FIG. 10, delete "FIG. 10" and insert --FIG. 16--; delete "thereof; the left side being identical thereto" and insert --of the embodiment of FIG. 12, to which the left side elevation view is identical--

At the description of FIG. 11, delete "FIG. 11" and insert --FIG. 17--; delete "third embodiment of a stair tread plate" and insert --fourth embodiment according to the present invention--

At the description of FIG. 12, delete "FIG. 12" and insert --FIG. 18--; delete "thereof" and insert --of the embodiment of FIG. 17--

At the description of FIG. 13, delete "FIG. 13" and insert --FIG. 19--; delete "thereof" and insert --of the embodiment of FIG. 17--

At the description of FIG. 14, delete "FIG. 14" and insert --FIG. 20--; delete "thereof, the rear being identical thereto; and," and insert --of the embodiment of FIG. 17, to which the rear elevation view is identical.--

At the description of FIG. 15, delete "FIG. 15" and insert --FIG. 21--; delete "thereof, the left side being identical thereto" and insert --of the embodiment of FIG. 17, to which the left side elevation view is identical--