

US00D594562S

(12) **United States Design Patent**  
**Williams**

(10) **Patent No.:** **US D594,562 S**

(45) **Date of Patent:** **\*\* \*Jun. 16, 2009**

(54) **BI-FOLD DOOR**

(76) **Inventor:** **Laura M. Williams**, 45011 Lightsway,  
Novi, MI (US) 48375

(\*) **Notice:** This patent is subject to a terminal disclaimer.

(\*\*) **Term:** **14 Years**

(21) **Appl. No.:** **29/317,052**

(22) **Filed:** **Apr. 22, 2008**

(51) **LOC (9) Cl.** ..... **25-02**

(52) **U.S. Cl.** ..... **D25/49**

(58) **Field of Classification Search** ..... D25/48,  
D25/49; 52/455, 630, 474, 764; 49/DIG. 2,  
49/501, 40, 226; 428/45; 160/118, 201,  
160/DIG. 8, 229.1

See application file for complete search history.

(56) **References Cited**

**U.S. PATENT DOCUMENTS**

2,915,118 A \* 12/1959 Capitani ..... 160/118

D406,355 S \* 3/1999 Kinsey ..... D25/49  
D426,645 S \* 6/2000 Bonomo et al. .... D25/48  
D466,615 S \* 12/2002 Balthazor et al. .... D25/48  
D468,027 S \* 12/2002 Jimenez et al. .... D25/48

\* cited by examiner

*Primary Examiner*—Doris Clark

(74) *Attorney, Agent, or Firm*—Steve M. Clemmons

(57) **CLAIM**

The ornamental design for a bi-fold door, as shown and described.

**DESCRIPTION**

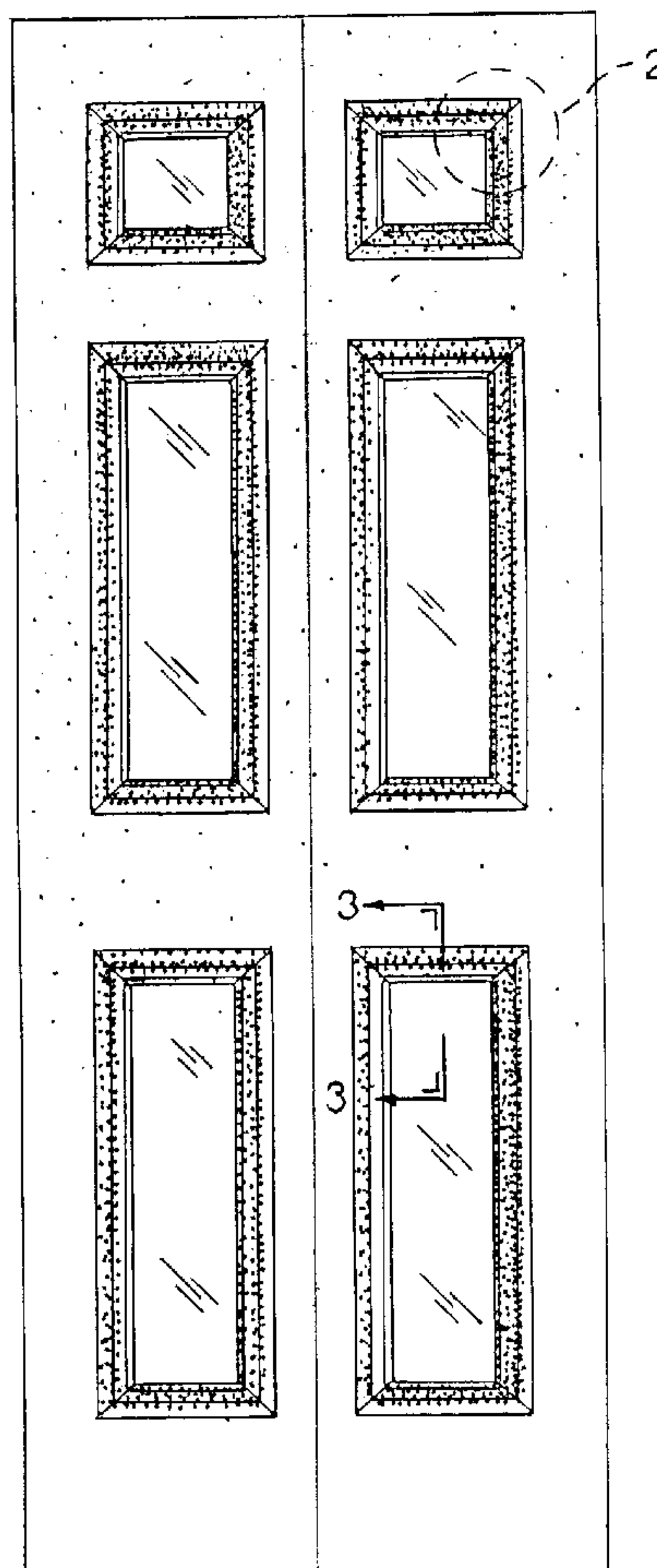
FIG. 1 is a front elevational view of a bi-fold door. A mirror is affixed to each of the six front panels of the door.

FIG. 2 is an enlarged front view of one of the door panel details of the bi-fold door; and,

FIG. 3 is an enlarged cross sectional view taken through line 3—3 of FIG. 1.

The broken lines shown in FIGS. 1 and 2 are to identify the enlarged area of the design.

**1 Claim, 2 Drawing Sheets**



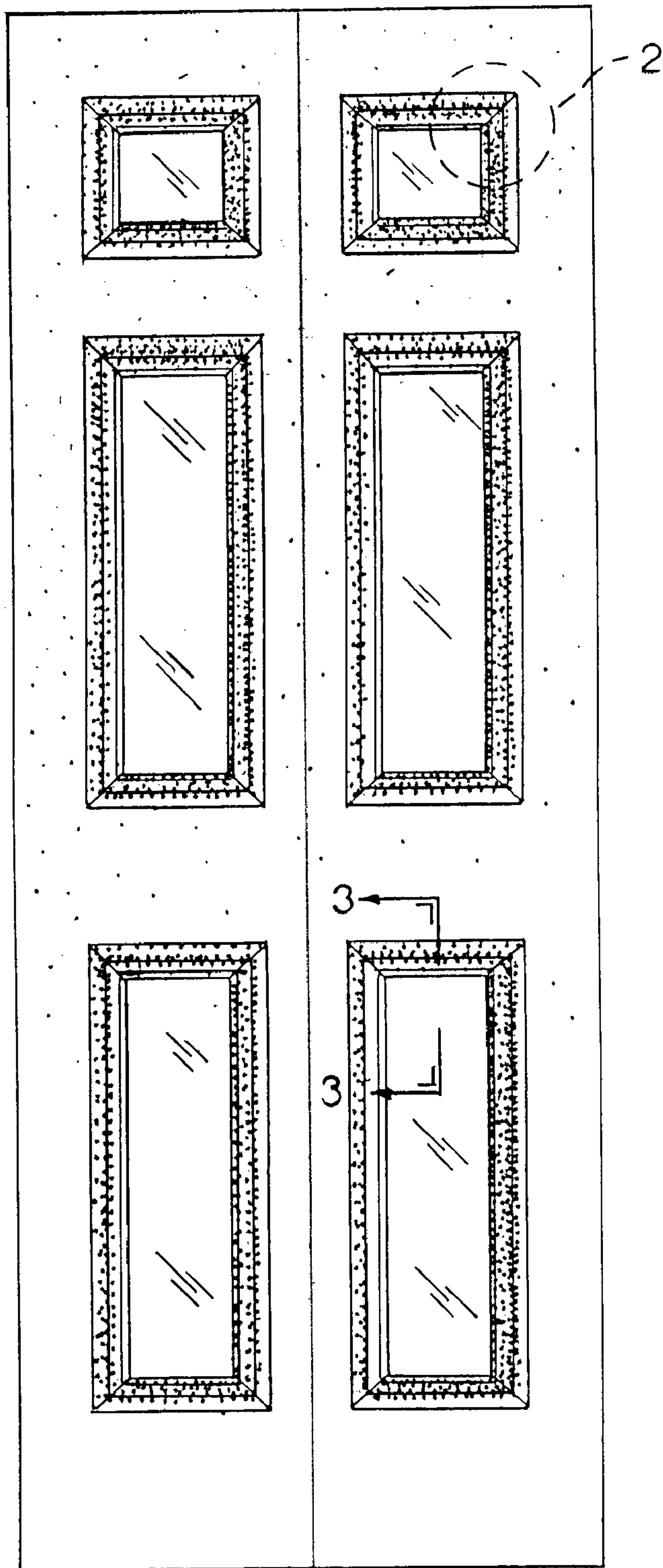


FIG. 1

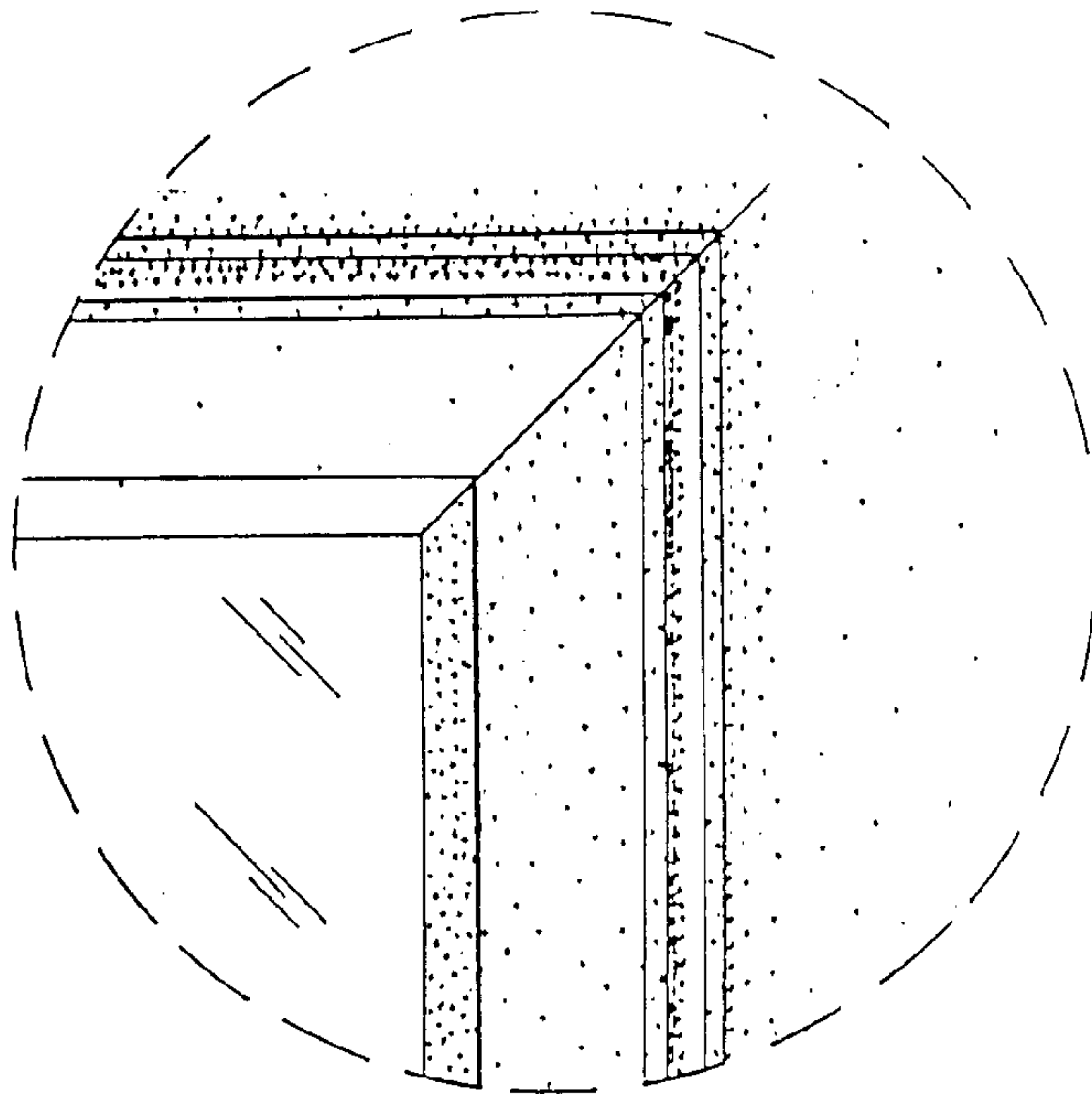


FIG. 2

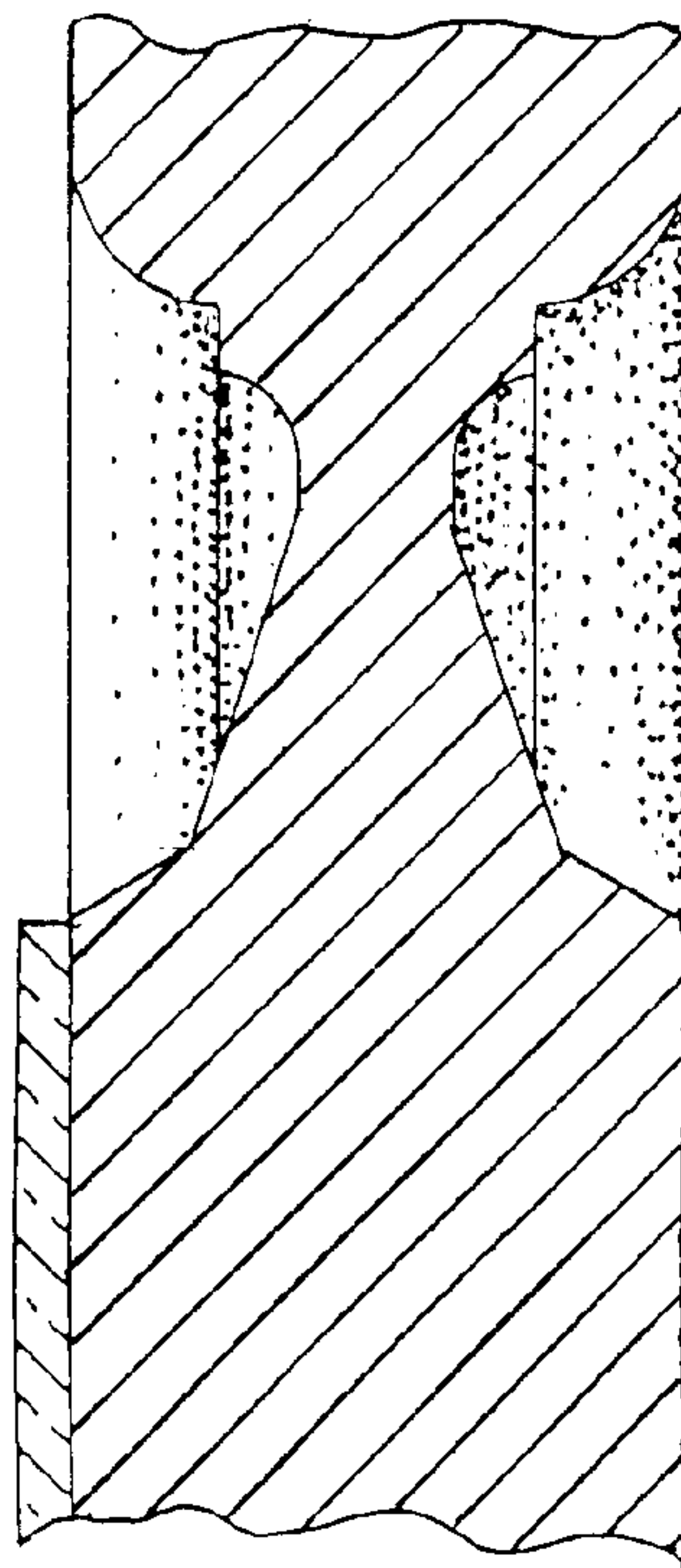


FIG. 3