



US00D594559S

(12) **United States Design Patent**  
**Kliegman et al.**

(10) **Patent No.:** **US D594,559 S**  
(45) **Date of Patent:** **\*\* Jun. 16, 2009**

(54) **PACIFIER**

(75) Inventors: **Adriana B. Kliegman**, New York, NY (US); **Diana B. Sierra**, North Bergen, NJ (US)

(73) Assignee: **Playtex Products, Inc.**, Westport, CT (US)

(\*\*) Term: **14 Years**

(21) Appl. No.: **29/307,104**

(22) Filed: **Mar. 31, 2008**

(51) **LOC (9) Cl.** ..... **24-04**

(52) **U.S. Cl.** ..... **D24/194**

(58) **Field of Classification Search** ..... D24/193-199;  
D30/160; 606/234-236; 215/11.1-11.6;  
128/200.24, 201.26, 202.13, 203.12, 360,  
128/897

See application file for complete search history.

(56) **References Cited**

**U.S. PATENT DOCUMENTS**

3,653,386 A	4/1972	Jacobus	606/236
3,825,014 A	7/1974	Wroten	128/360
3,886,949 A	6/1975	Hurst et al.	128/360
D267,116 S	11/1982	Bubelis	D24/194
4,381,785 A	5/1983	Robbins	606/236
4,545,378 A	10/1985	Chrones	128/360
4,856,519 A	8/1989	Teves	606/234
D303,839 S	10/1989	Fitzpatrick et al.	D24/194
4,909,253 A	3/1990	Cook et al.	606/234
D326,919 S	6/1992	Geitner et al.	D24/194
D334,064 S	3/1993	Fitzpatrick	D24/194
D340,525 S *	10/1993	Rohrig	D24/194

5,275,619 A	1/1994	Engebretson et al.	606/236
D376,014 S *	11/1996	McKenney	D24/194
D380,836 S	7/1997	Fitzpatrick et al.	D24/194
5,658,314 A	8/1997	Scheffer et al.	606/235

(Continued)

**FOREIGN PATENT DOCUMENTS**

DE 3316824 A1 11/1984

(Continued)

**OTHER PUBLICATIONS**

Evenflo Pacifiers, Mimi Neo One-Piece Pacifiers; Product List, Evenflo.com, 2006.

(Continued)

*Primary Examiner*—T. Chase Nelson

*Assistant Examiner*—Susan E Krakower

(74) *Attorney, Agent, or Firm*—Ohlandt, Greeley, Ruggiero & Perle, L.L.P

(57) **CLAIM**

The ornamental design for a pacifier, as shown and described.

**DESCRIPTION**

FIG. 1 is a front perspective view of a pacifier showing our design;

FIG. 2 is a front elevation view thereof;

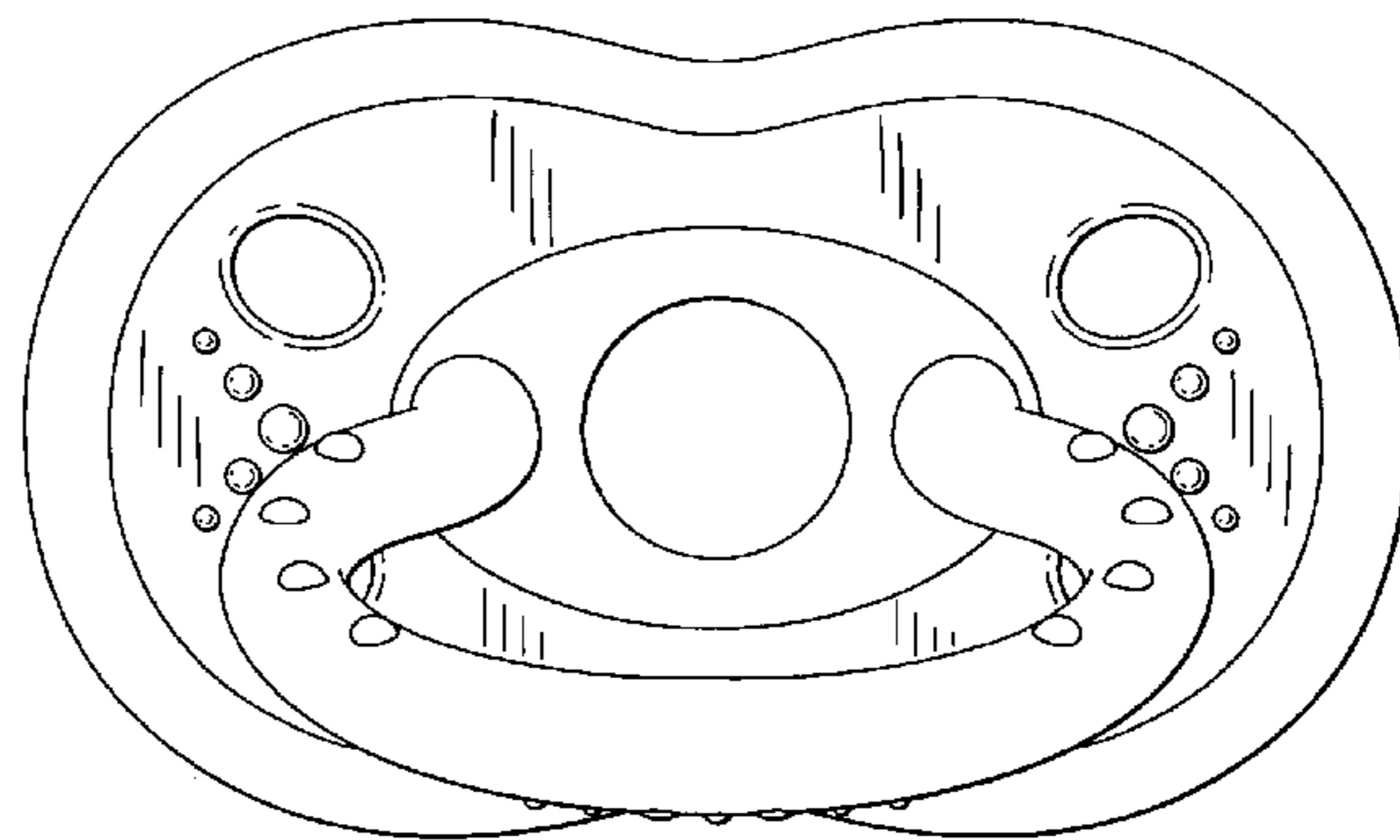
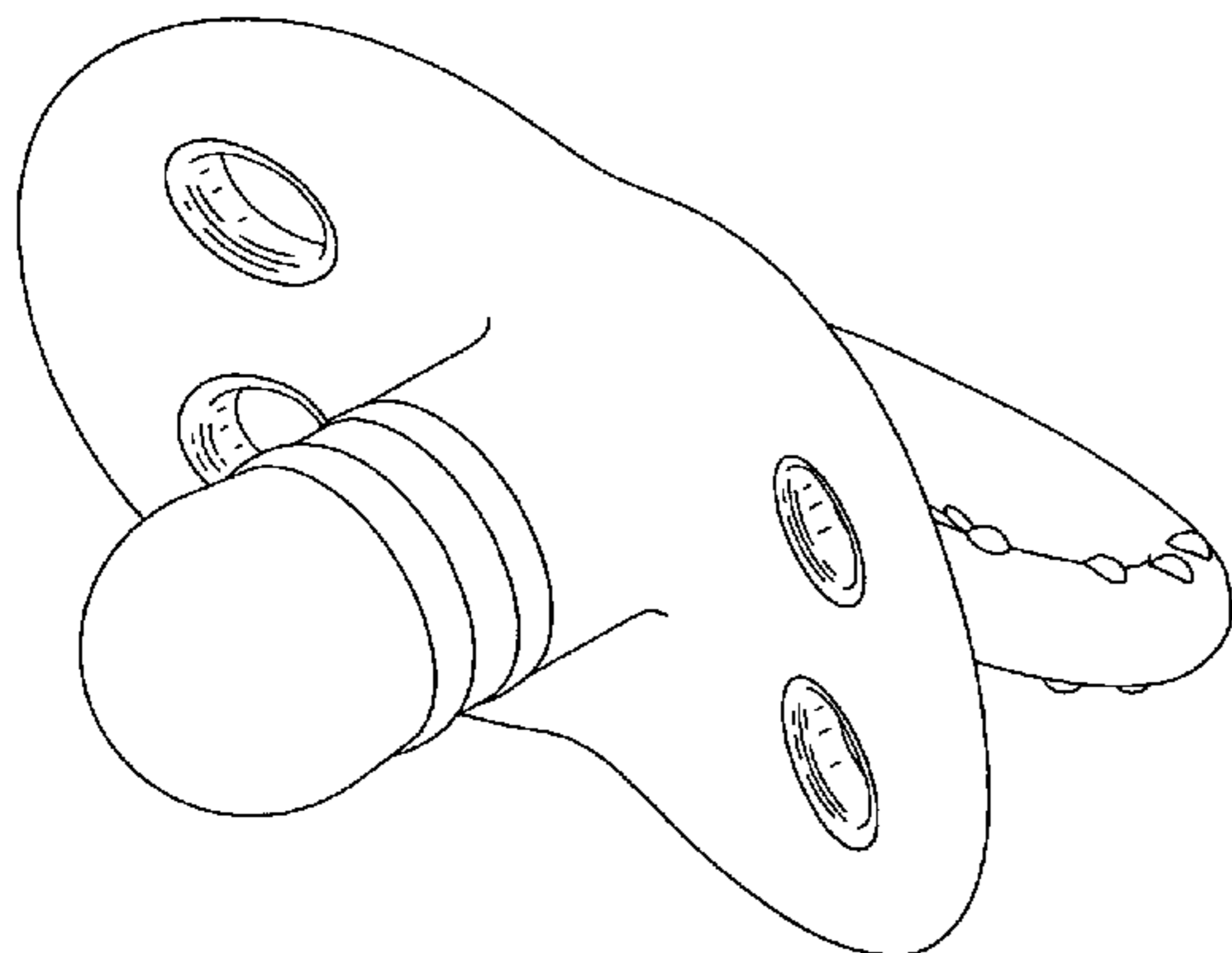
FIG. 3 is a rear elevation view thereof;

FIG. 4 is a side elevation view thereof, the opposite side being a mirror image thereto;

FIG. 5 is a top plan view thereof; and,

FIG. 6 is a bottom plan view thereof.

**1 Claim, 3 Drawing Sheets**



# US D594,559 S

Page 2

## U.S. PATENT DOCUMENTS

5,688,238 A 11/1997 Moser et al. .... 604/77  
D387,868 S \* 12/1997 Wilburn ..... D24/194  
D391,641 S \* 3/1998 Fields et al. .... D24/194  
D393,074 S \* 3/1998 Fields et al. .... D24/194  
5,759,195 A 6/1998 Fields et al. .... 606/236  
D404,137 S 1/1999 Underwood et al. .... D24/194  
5,868,131 A 2/1999 Murchie ..... 128/204.13  
D409,309 S 5/1999 Tollman ..... D24/194  
D413,387 S 8/1999 Fitzpatrick et al. .... D24/194  
5,972,025 A \* 10/1999 Taysom ..... 606/234  
6,056,774 A 5/2000 Johansen et al. .... 606/234  
6,110,193 A 8/2000 Chen ..... 606/234  
D430,675 S \* 9/2000 Roehrig ..... D24/194  
6,241,110 B1 6/2001 Hakim ..... 215/11.1  
D445,902 S \* 7/2001 Luehne-Porath ..... D24/194  
D450,126 S 11/2001 Fitzpatrick et al. .... D24/194  
6,447,536 B1 9/2002 Hinshaw ..... 606/235  
6,517,567 B2 2/2003 Bass, Jr. et al. .... 606/234  
6,575,999 B1 6/2003 Rohrig ..... 606/234  
D481,461 S \* 10/2003 Roehrig ..... D24/194  
6,695,869 B2 2/2004 Fitzpatrick et al. .... 606/234

D501,256 S \* 1/2005 Roehrig ..... D24/194  
6,905,507 B2 6/2005 Hinshaw ..... 606/235  
7,029,491 B2 4/2006 Davis ..... 606/234  
D532,521 S \* 11/2006 Struckmeier ..... D24/194  
D541,422 S \* 4/2007 Pils et al. .... D24/194  
D547,456 S \* 7/2007 Ramos et al. .... D24/194  
D559,391 S 1/2008 Kliegman et al. .... D24/194  
2006/0265013 A1 11/2006 Holley ..... 606/234

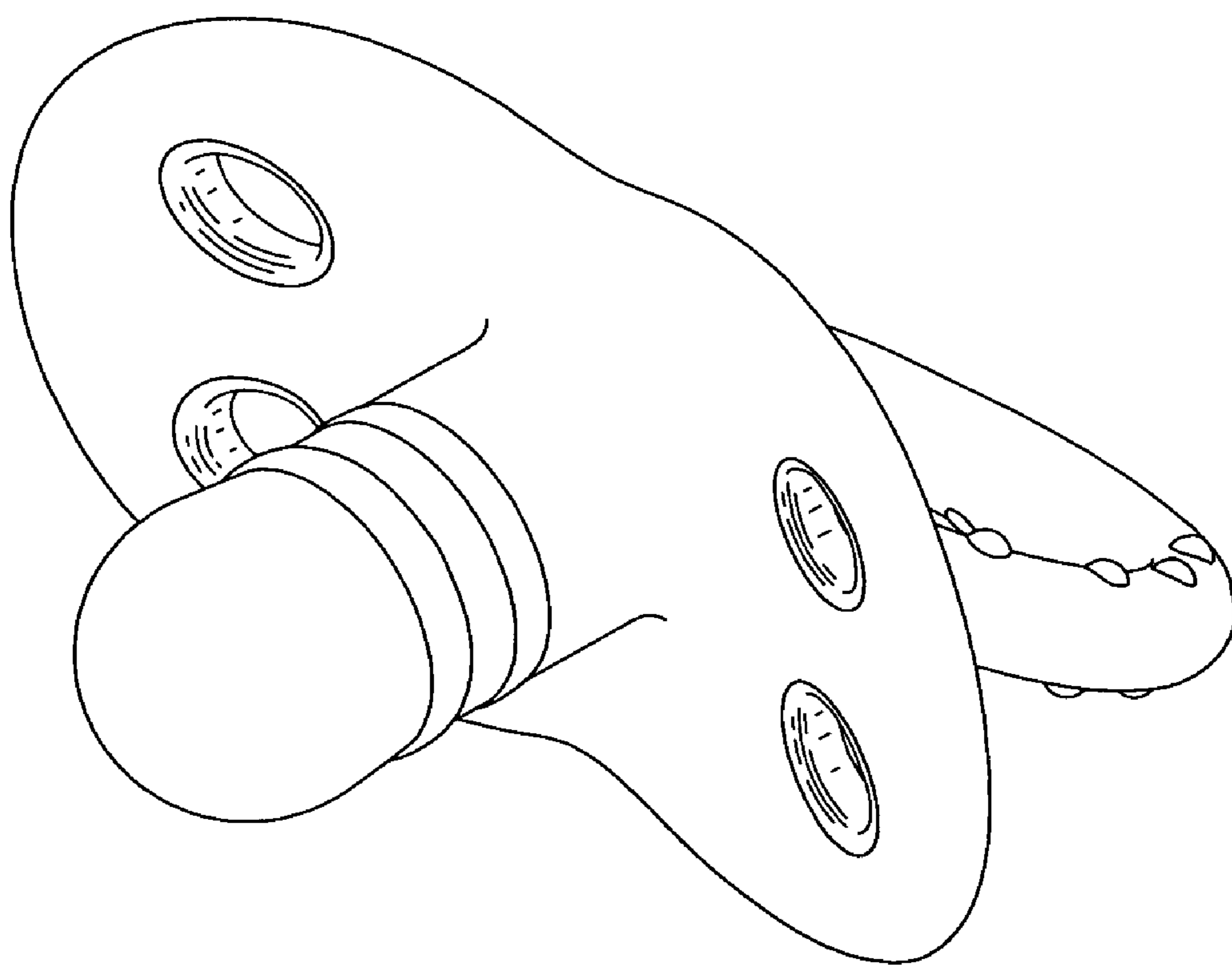
## FOREIGN PATENT DOCUMENTS

DE 3347876 A1 5/1985  
EP 0381076 8/1990  
EP 1158949 12/2001  
EP 1240886 A1 9/2006  
WO WO 94/23686 10/1994  
WO WO 00/010505 3/2000

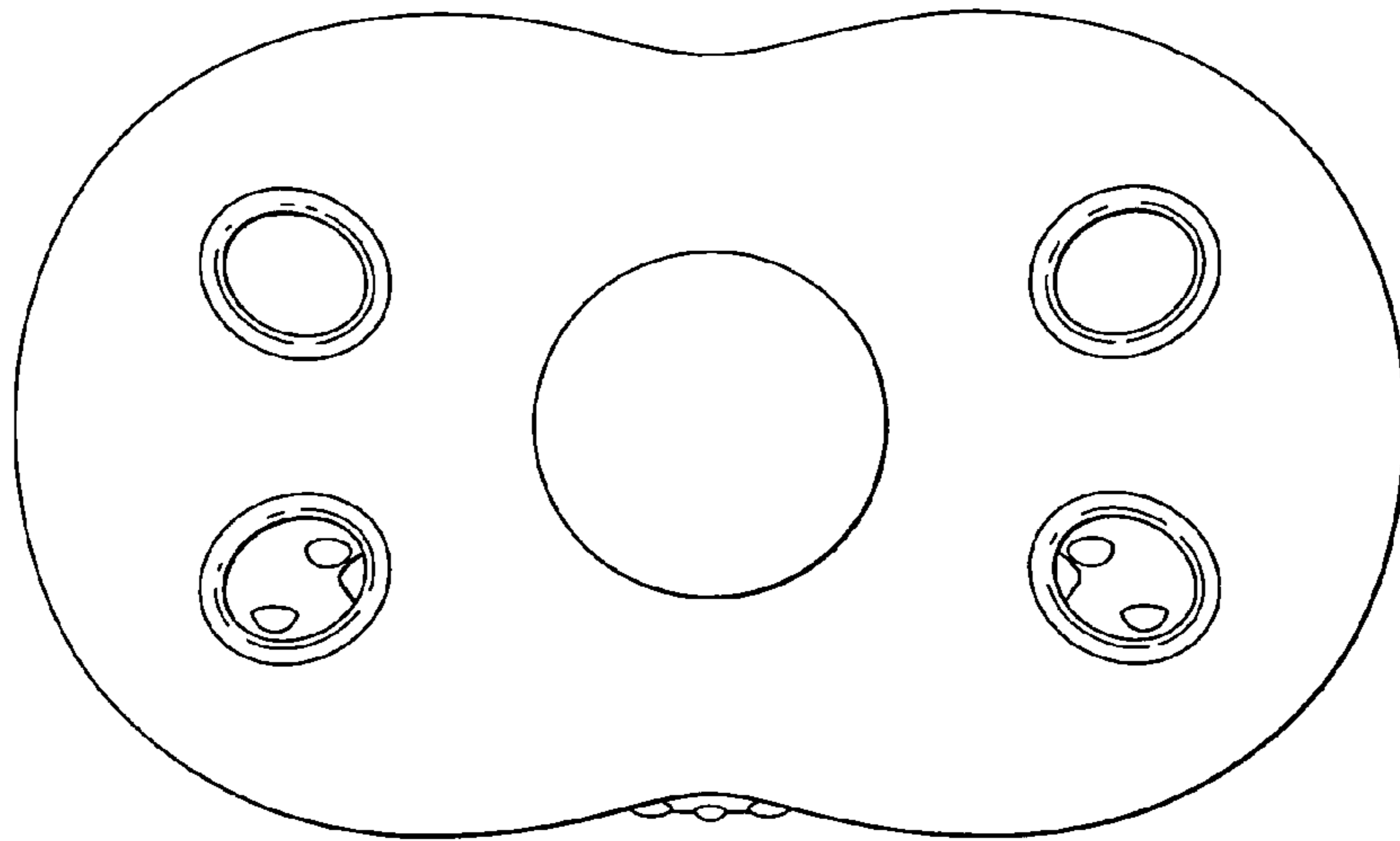
## OTHER PUBLICATIONS

U.S. Appl. No. 29/259,285, filed May 5, 2006, Kliegman et al.  
U.S. Appl. No. 29/272,644, filed Feb. 13, 2007, Kliegman et al.

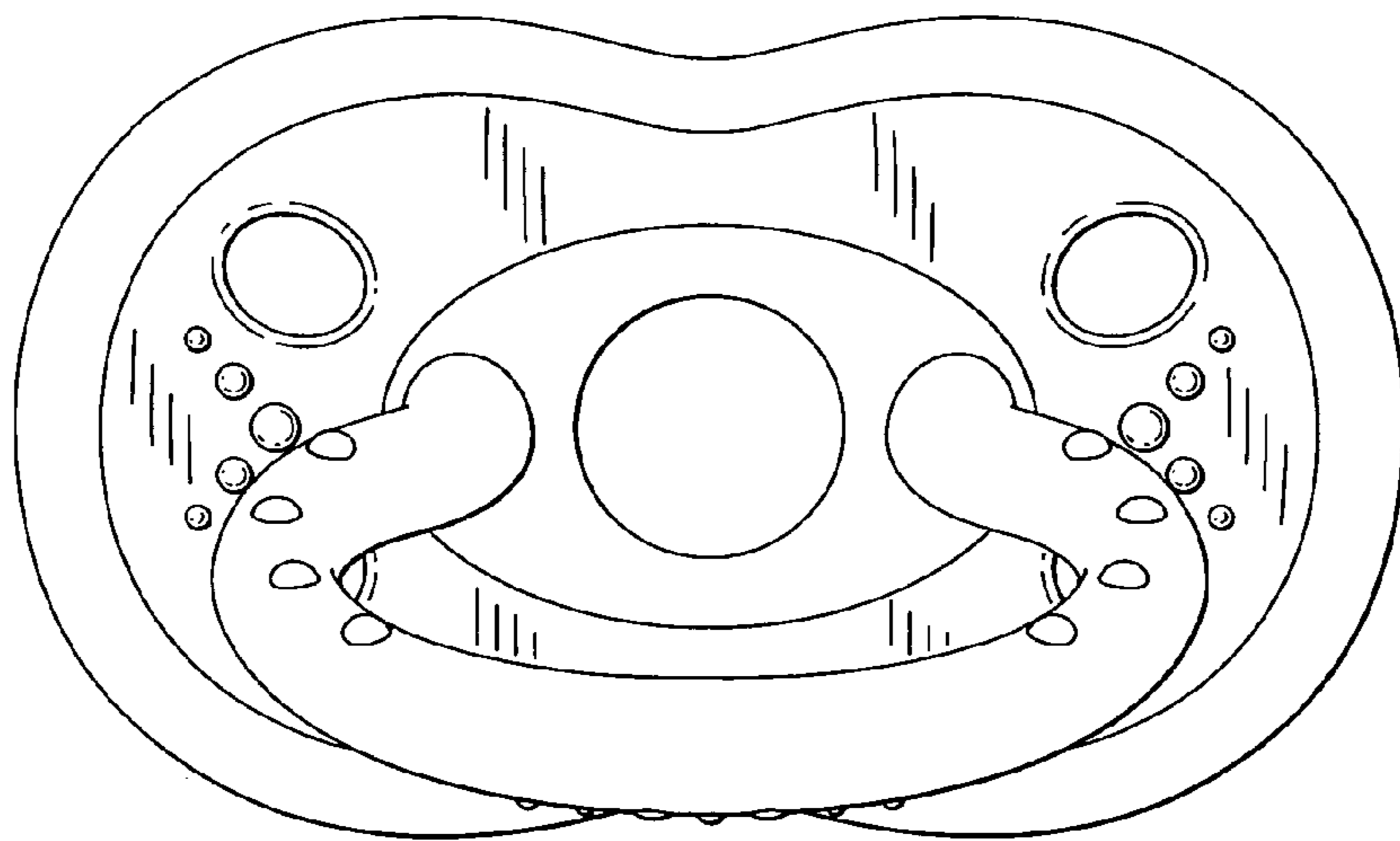
\* cited by examiner



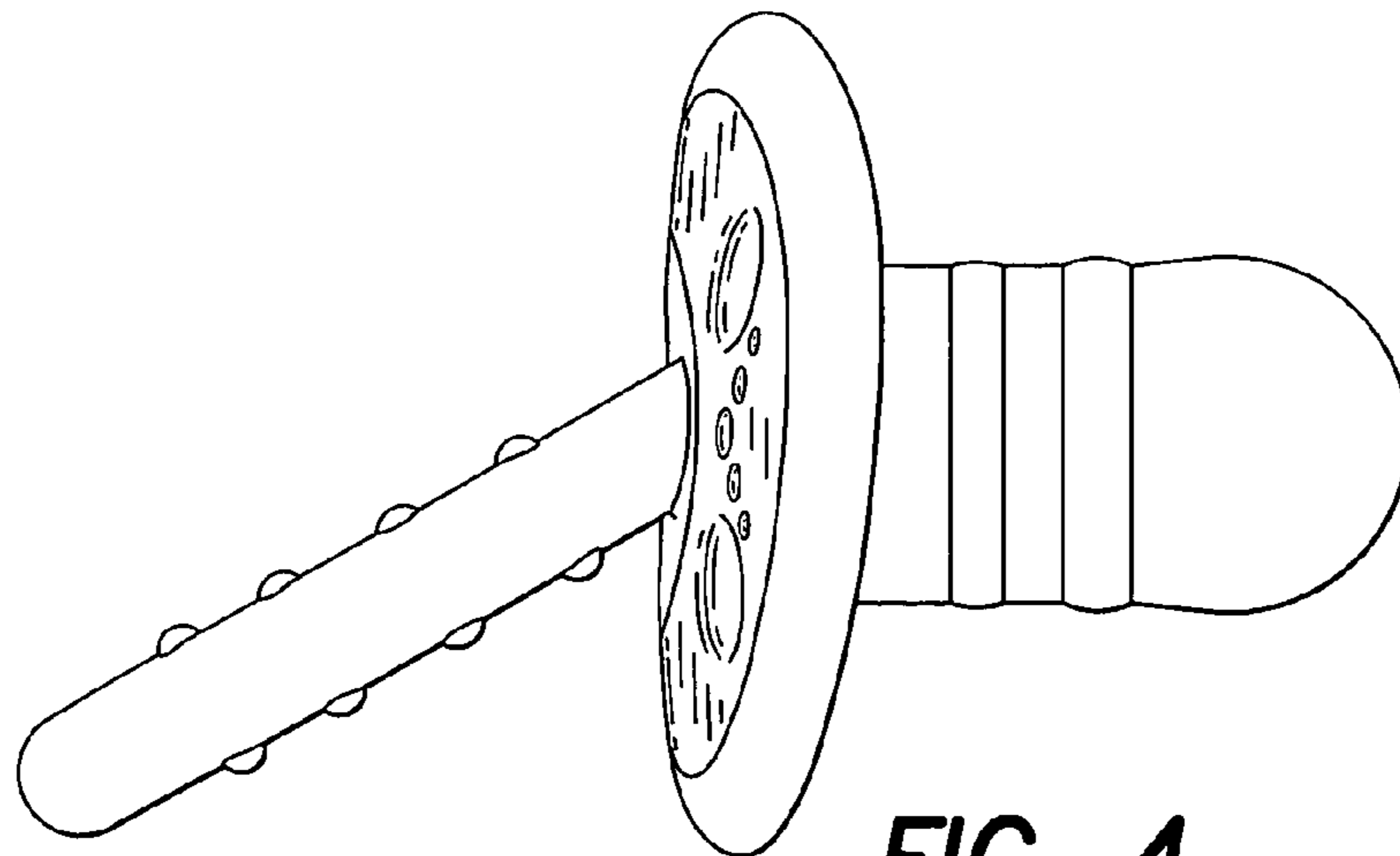
**FIG. 1**



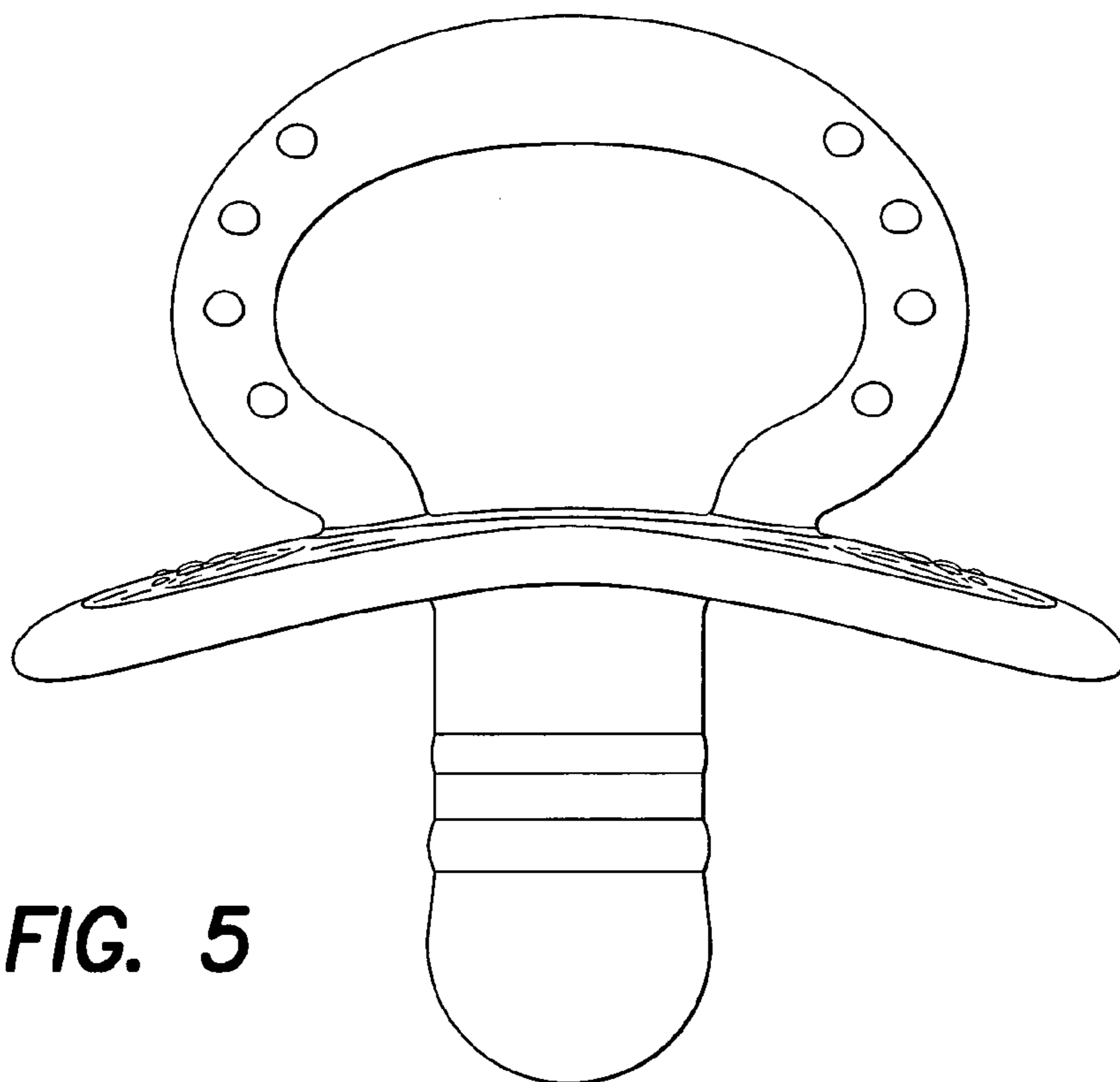
**FIG. 2**



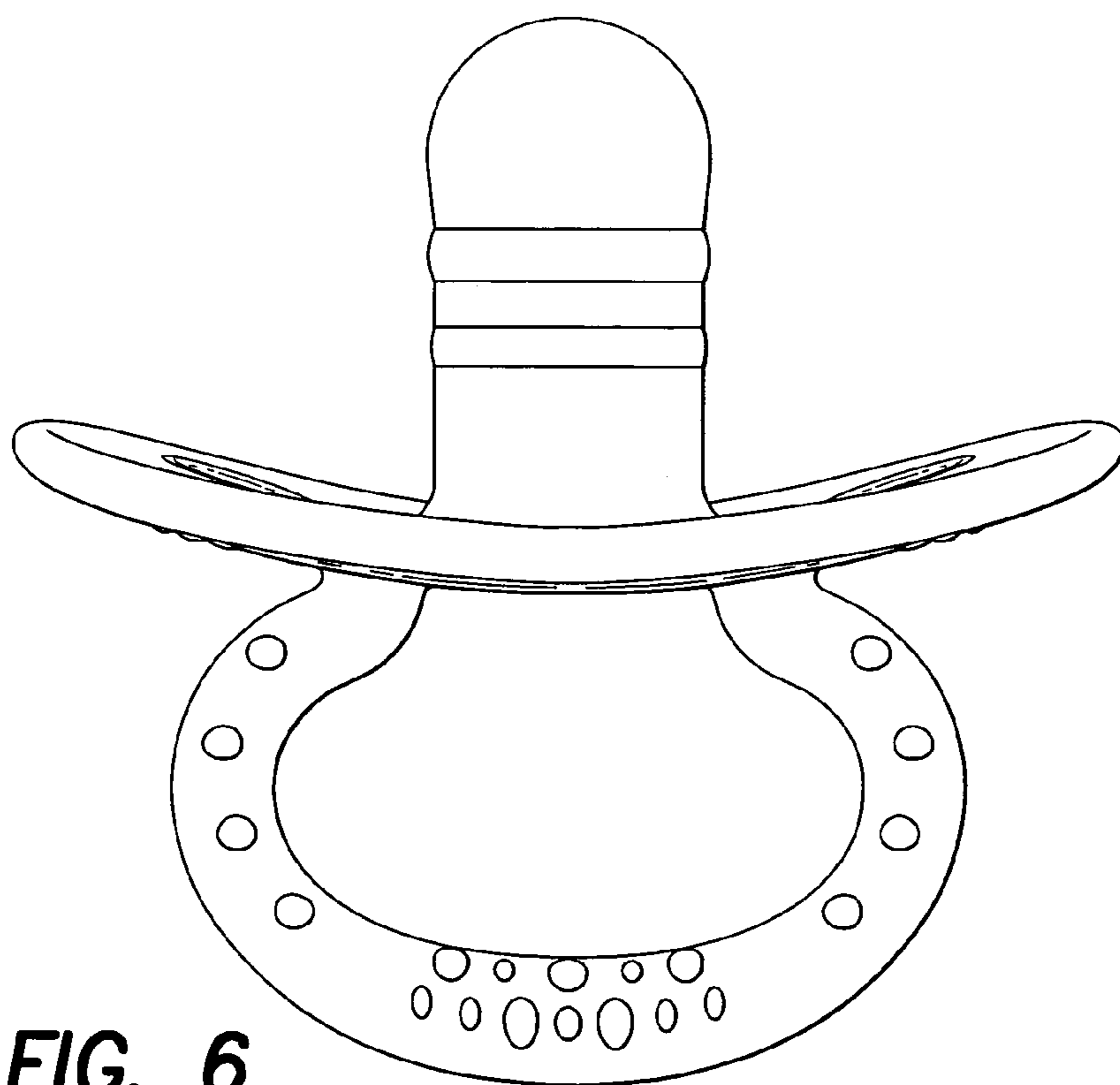
**FIG. 3**



**FIG. 4**



**FIG. 5**



**FIG. 6**