

US00D594557S

(12) **United States Design Patent**
Hirayoshi

(10) **Patent No.:** **US D594,557 S**
(45) **Date of Patent:** **** Jun. 16, 2009**

(54) **DENTAL CABINET**

(75) Inventor: **Michihiro Hirayoshi**, Manchester, MO
(US)

(73) Assignee: **Koken Manufacturing Co., Inc.**, St.
Louis, MO (US)

(**) Term: **14 Years**

(21) Appl. No.: **29/295,323**

(22) Filed: **Sep. 26, 2007**

(51) **LOC (9) Cl.** **24-99**

(52) **U.S. Cl.** **D24/177; D6/442**

(58) **Field of Classification Search** D24/152-154,
D24/177-179, 186; D12/421, 178, 316;
378/97; D6/500, 501; 280/304.1; 422/82.05
See application file for complete search history.

(56) **References Cited**

U.S. PATENT DOCUMENTS

D202,270 S *	9/1965	Federman	D24/177
D226,483 S *	3/1973	Schwartz	D24/177
D227,891 S *	7/1973	Welsh	D24/177
D229,463 S *	12/1973	Marshall et al.	D24/177
D231,230 S *	4/1974	Jenkins et al.	D24/177
D233,437 S *	10/1974	Jenkins et al.	D24/177
D240,134 S *	6/1976	Pierson	D24/177
D240,629 S *	7/1976	Cope	D24/177
D241,549 S *	9/1976	Rota	D24/177
4,130,070 A	12/1978	Herrin		
4,275,940 A	6/1981	Draper		
4,383,708 A	5/1983	Lamberth		
4,482,066 A	11/1984	Dykstra		
D277,698 S *	2/1985	Newman	D24/177

D279,125 S *	6/1985	Newman	D24/177
D289,081 S *	3/1987	Ludwig	D24/185
4,744,309 A	5/1988	Kiesel et al.		
4,781,127 A	11/1988	Conley		
4,938,441 A	7/1990	Hannah et al.		
D315,197 S	3/1991	Brandis		
D334,622 S *	4/1993	Daniel	D24/185
5,257,851 A	11/1993	Kanaya		
6,592,156 B2	7/2003	Levine		
D532,991 S	12/2006	Gozzi et al.		

* cited by examiner

Primary Examiner—Charles A Rademaker

Assistant Examiner—Charles D Hanson

(74) *Attorney, Agent, or Firm*—Polster, Lieder, Woodruff &
Lucchesi, L.C.

(57) **CLAIM**

The ornamental design for a dental cabinet, as shown and described.

DESCRIPTION

FIG. 1 is a front perspective view of the dental cabinet;

FIG. 2 is a front view thereof;

FIG. 3 is a right side view thereof;

FIG. 4 is a back view thereof;

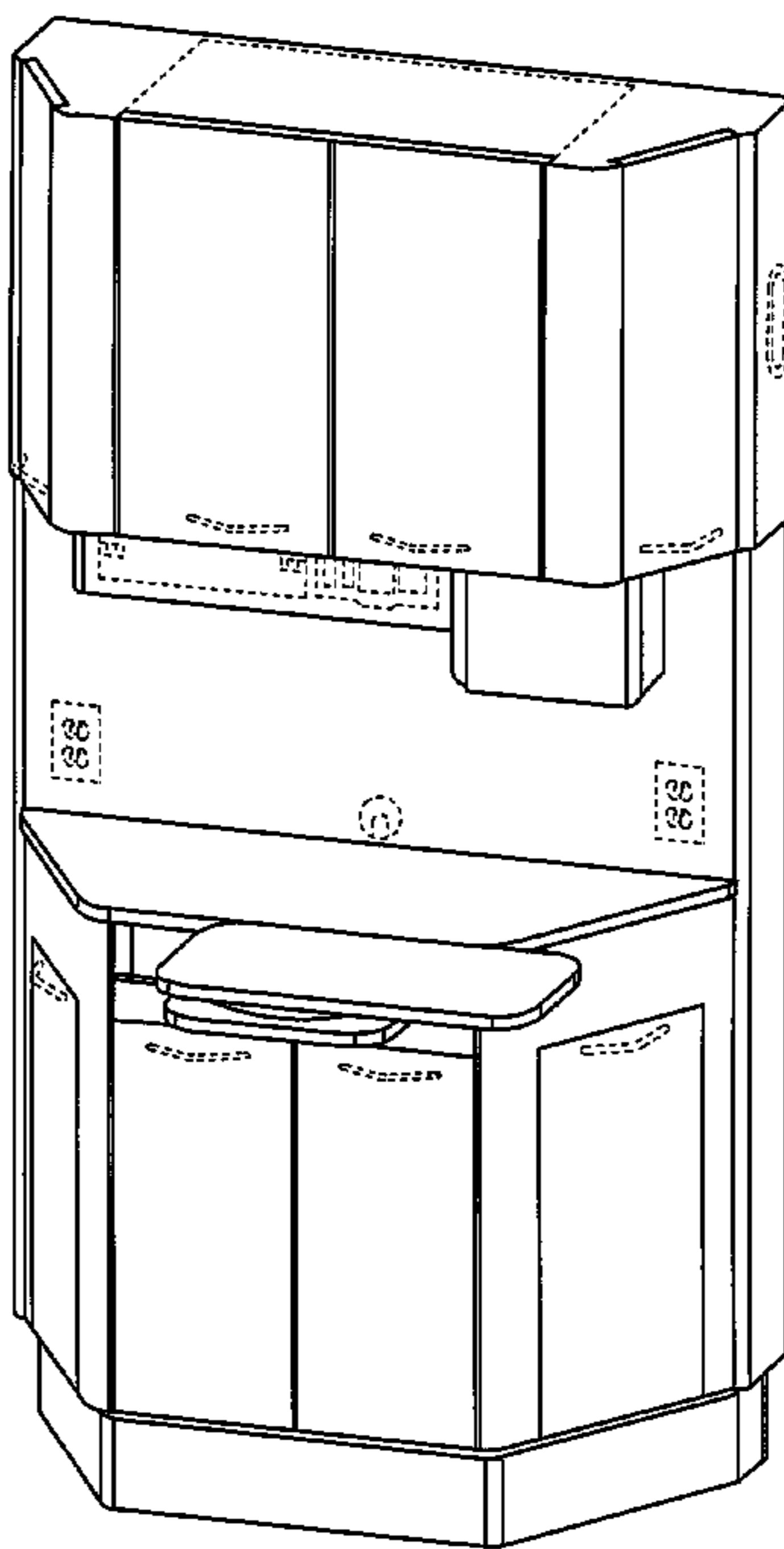
FIG. 5 is a left side view thereof;

FIG. 6 is a top view thereof; and,

FIG. 7 is a bottom view thereof.

The broken lines are included for the purpose of illustrating environmental structure and form no part of the claimed design.

1 Claim, 7 Drawing Sheets



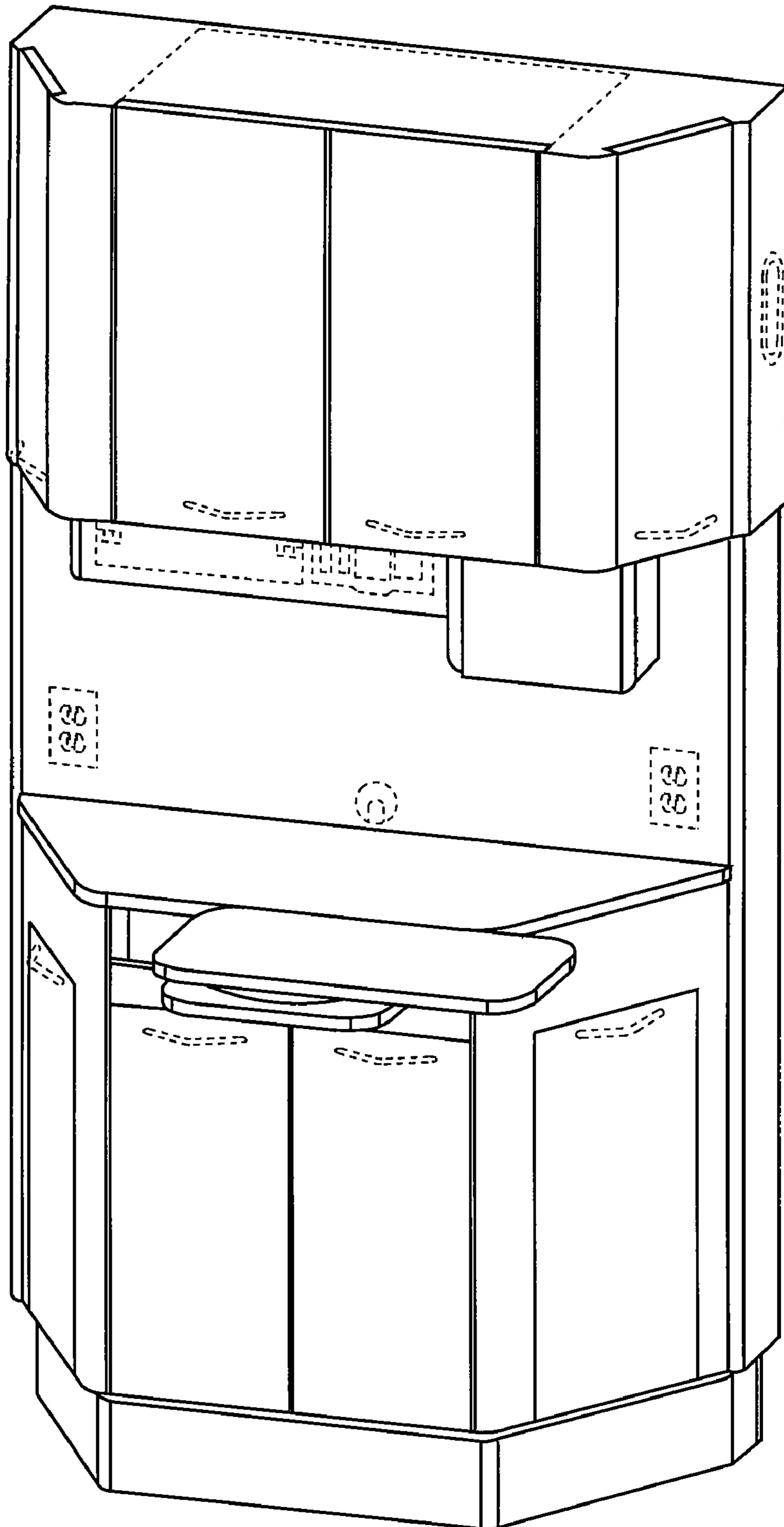


FIG. 1

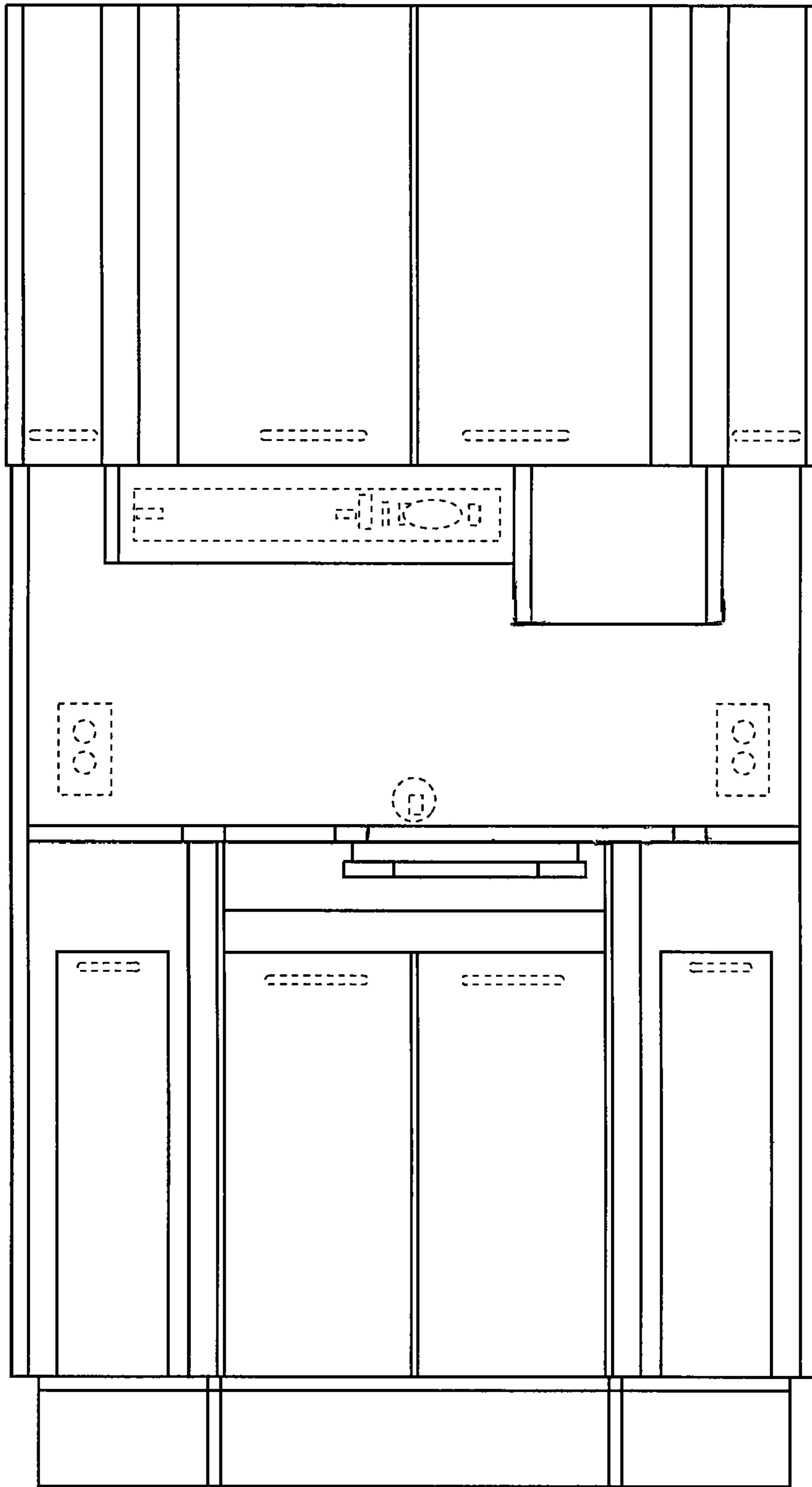


FIG. 2

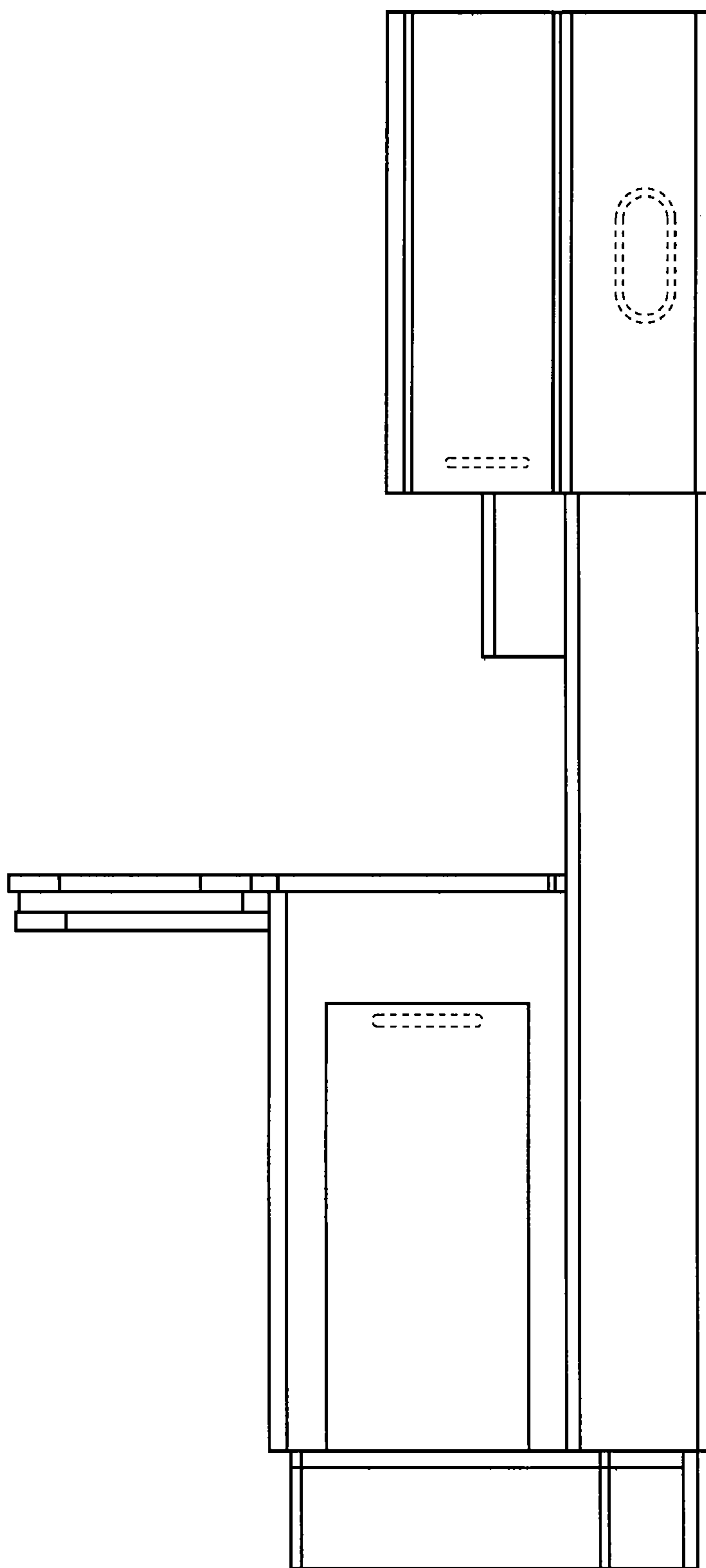


FIG. 3

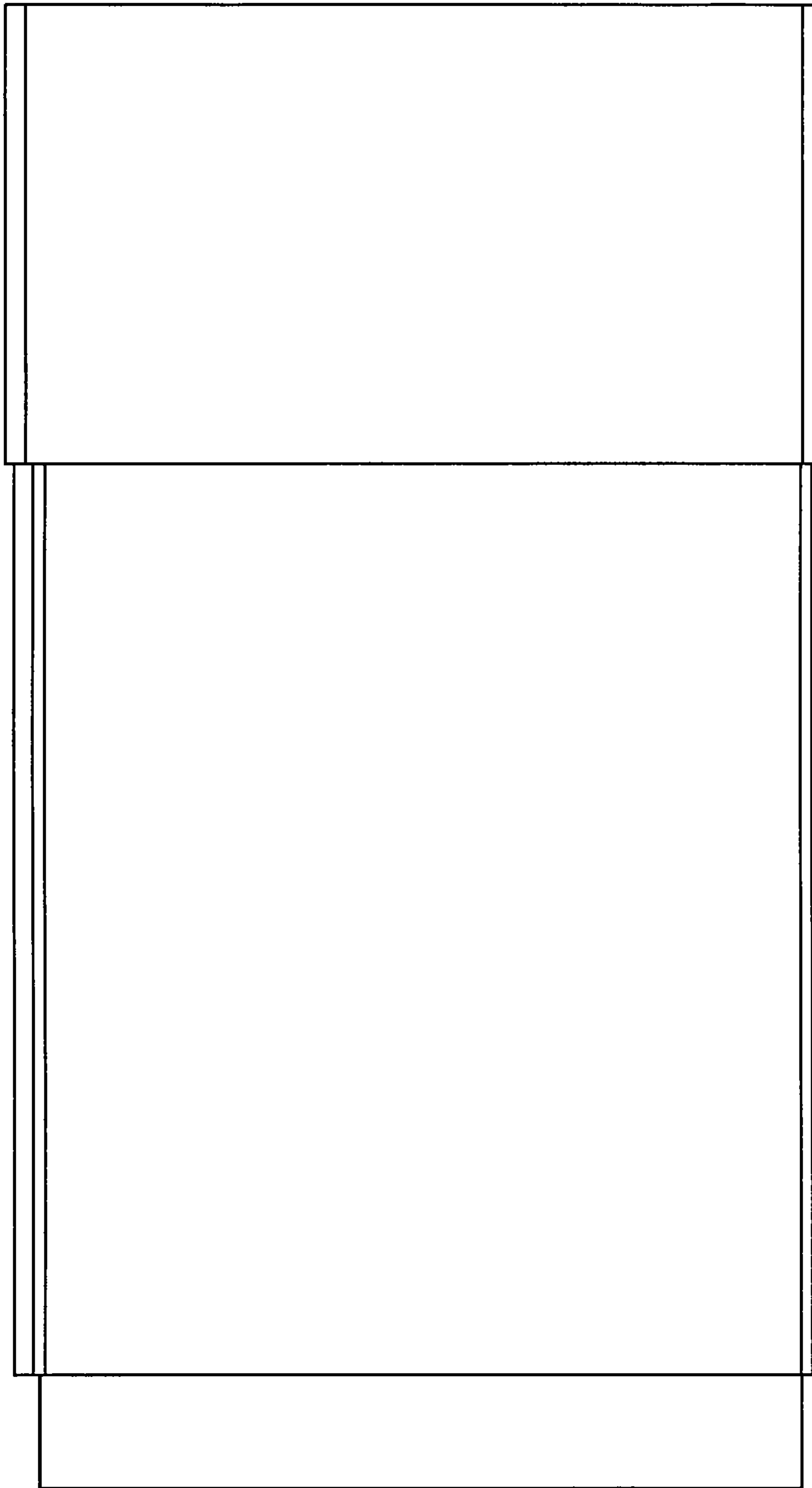


FIG. 4

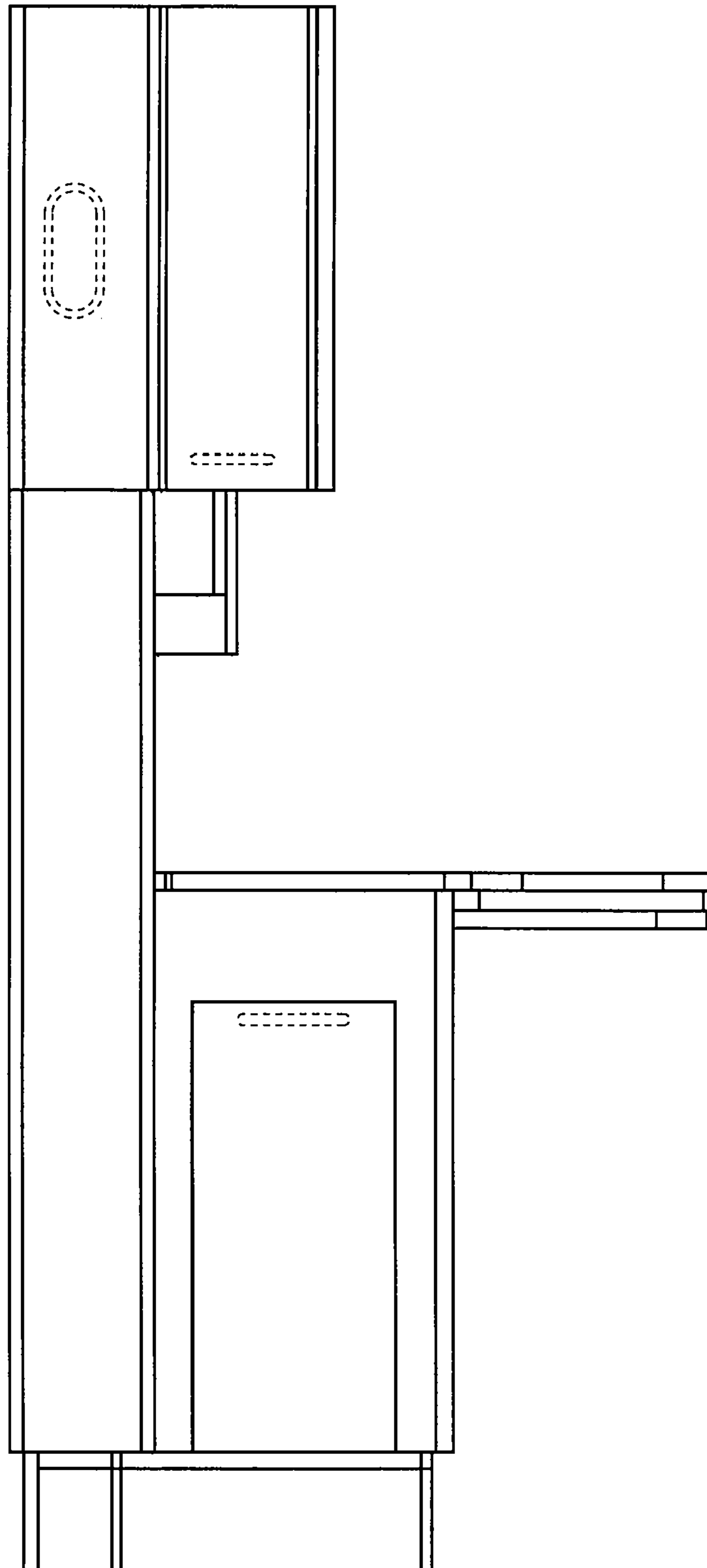


FIG. 5

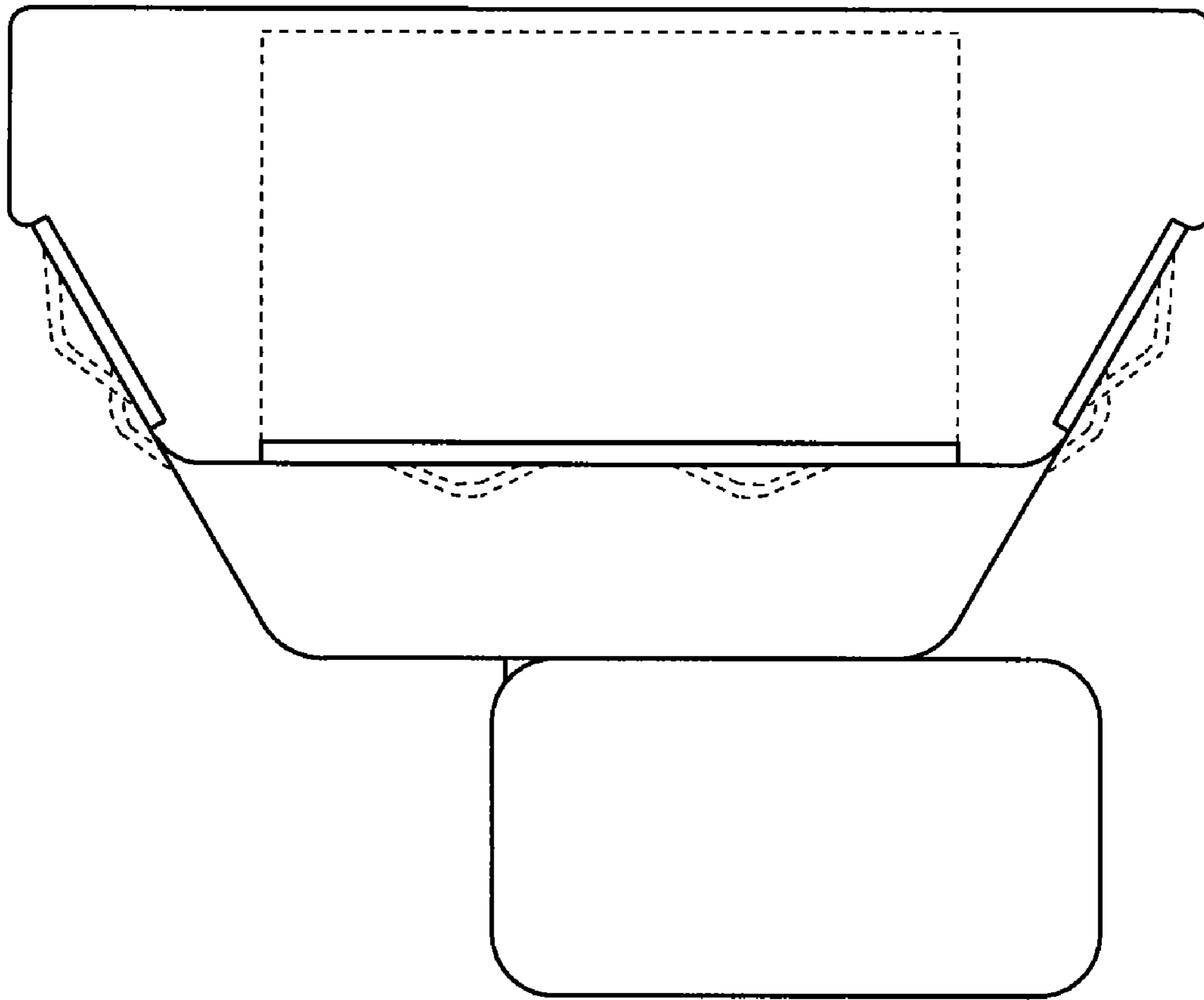


FIG. 6

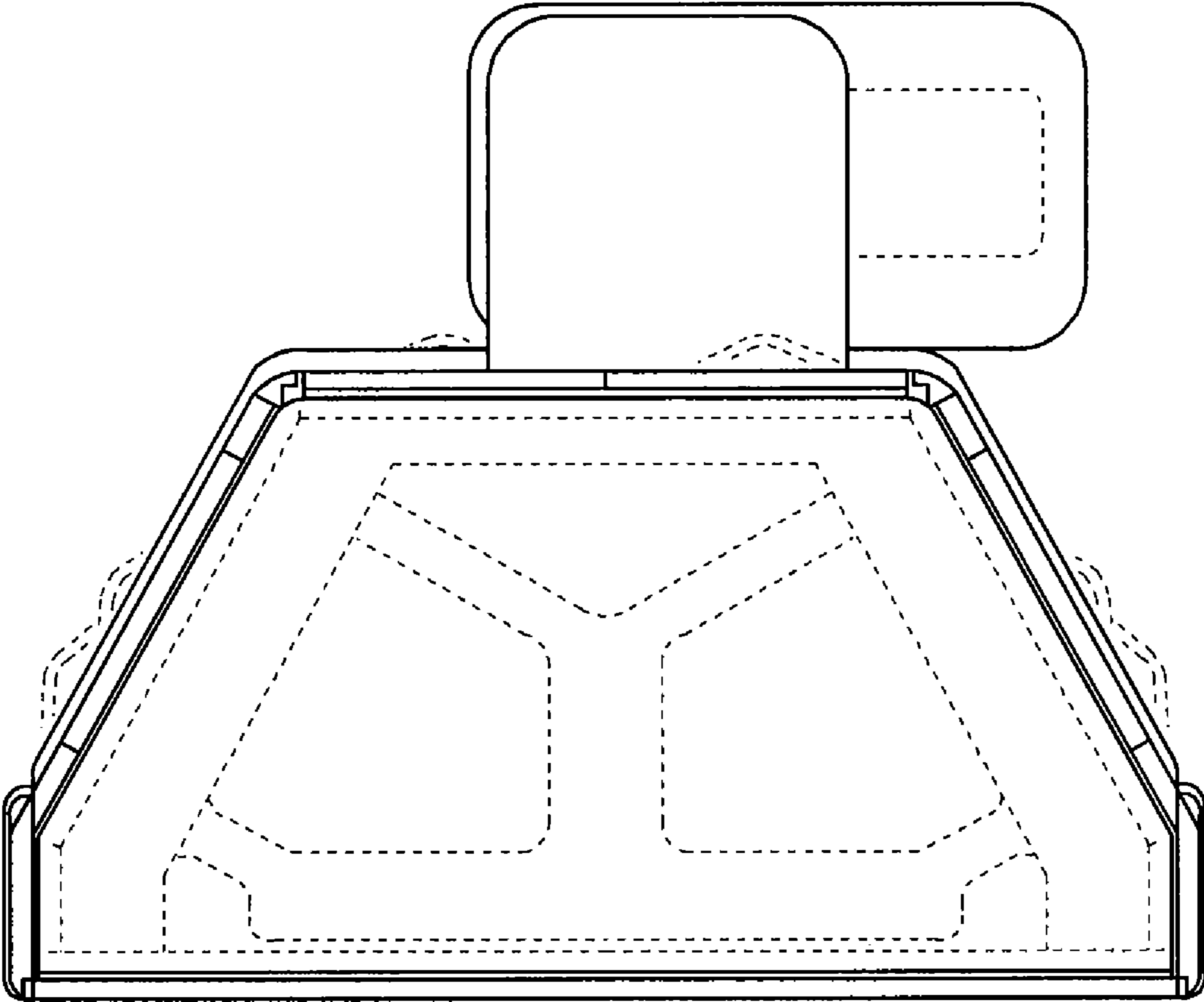


FIG. 7