



US00D594555S

(12) **United States Design Patent**
Hsu

(10) **Patent No.:** **US D594,555 S**
(45) **Date of Patent:** **** Jun. 16, 2009**

(54) **PORTABLE OTOSCOPE**

(75) Inventor: **Chun Chieh Hsu, Hsichih (TW)**

(73) Assignee: **CRS Electronic Co., Ltd., Taipei Hsien (TW)**

(**) Term: **14 Years**

(21) Appl. No.: **29/311,251**

(22) Filed: **Jan. 29, 2009**

(51) **LOC (9) Cl.** **24-02**

(52) **U.S. Cl.** **D24/137**

(58) **Field of Classification Search** D24/137,
D24/138; D8/61, 68; 606/14, 17; 320/114,
320/117; 600/200, 112; 351/218, 221
See application file for complete search history.

(56) **References Cited**

U.S. PATENT DOCUMENTS

D222,925	S	*	2/1972	Pulos	D24/137
3,698,387	A	*	10/1972	Moore et al.	600/200
3,978,850	A	*	9/1976	Moore et al.	600/200
4,380,998	A	*	4/1983	Kieffer et al.	600/200
D286,814	S	*	11/1986	Brainard et al.	D24/137
D288,960	S	*	3/1987	Riester	D24/137
D289,197	S	*	4/1987	Ware et al.	D24/137

D318,812	S	*	8/1991	Matsuura et al.	D24/135
D406,339	S	*	3/1999	Stacks	D24/137
D429,333	S	*	8/2000	Sanders et al.	D24/137
D566,838	S	*	4/2008	Slawson et al.	D24/137

* cited by examiner

Primary Examiner—Ian Simmons

Assistant Examiner—Christopher Lee

(74) *Attorney, Agent, or Firm*—Rosenberg, Klein & Lee

(57) **CLAIM**

The ornamental design for a portable otoscope, as shown and described.

DESCRIPTION

FIG. 1 is a perspective view of a portable otoscope showing my new design.

FIG. 2 is another perspective view of FIG. 1 from a rear angle.

FIG. 3 is a front plan view of FIG. 1.

FIG. 4 is a rear plan view of FIG. 1.

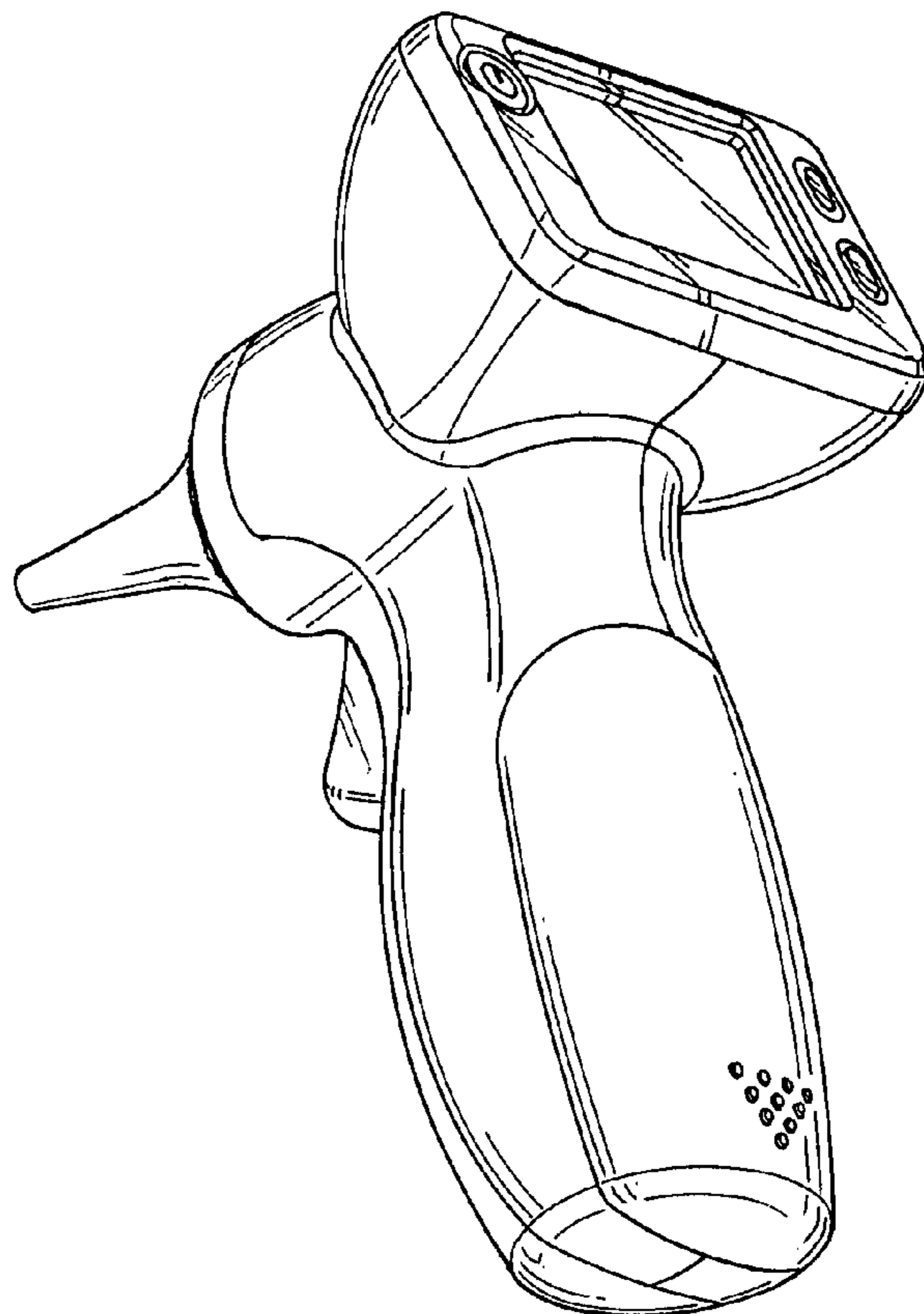
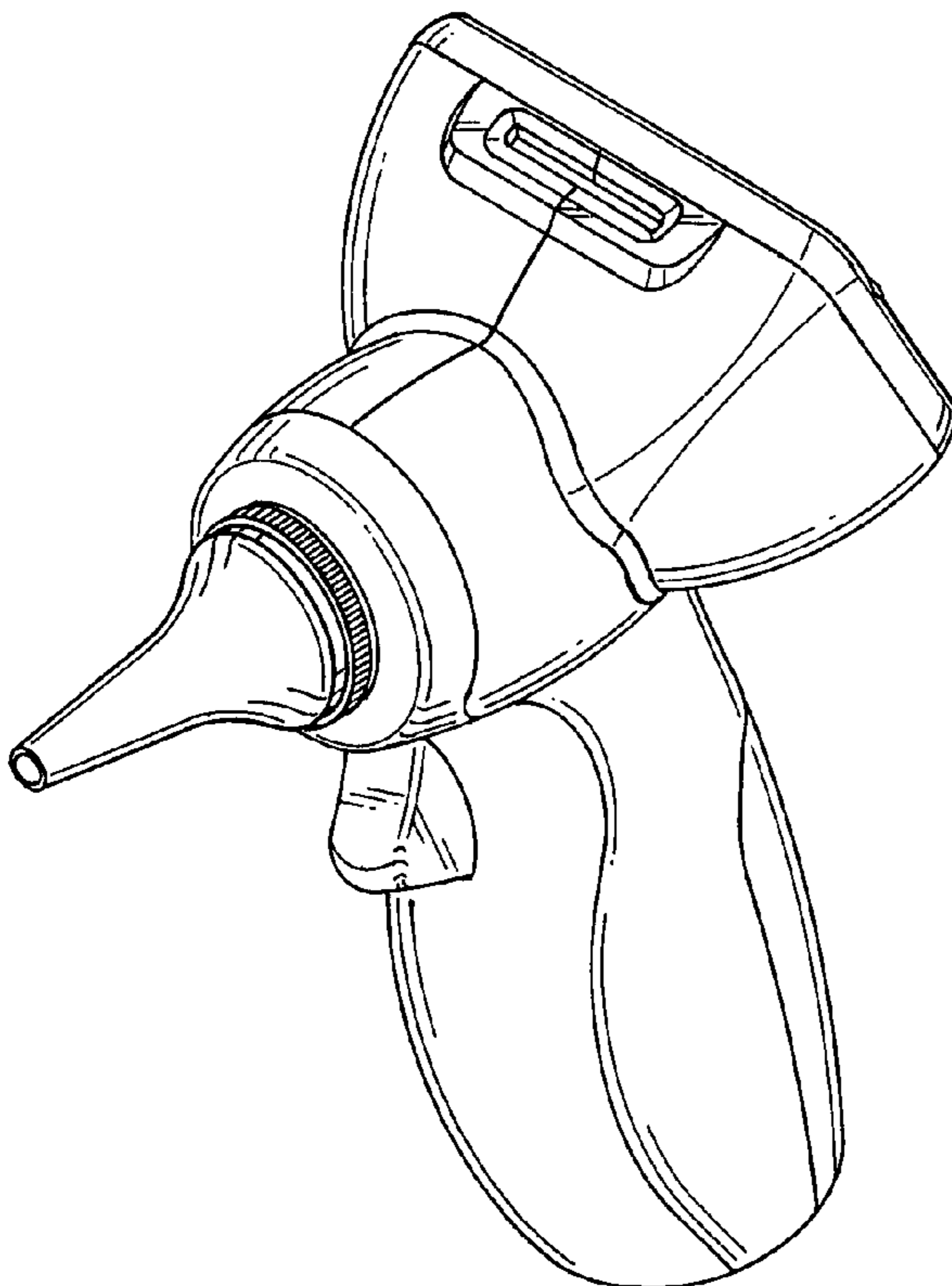
FIG. 5 is a left side plan view of FIG. 1.

FIG. 6 is a right side plan view of FIG. 1.

FIG. 7 is a top plan view of FIG. 1; and,

FIG. 8 is a bottom plan view of FIG. 1.

1 Claim, 4 Drawing Sheets



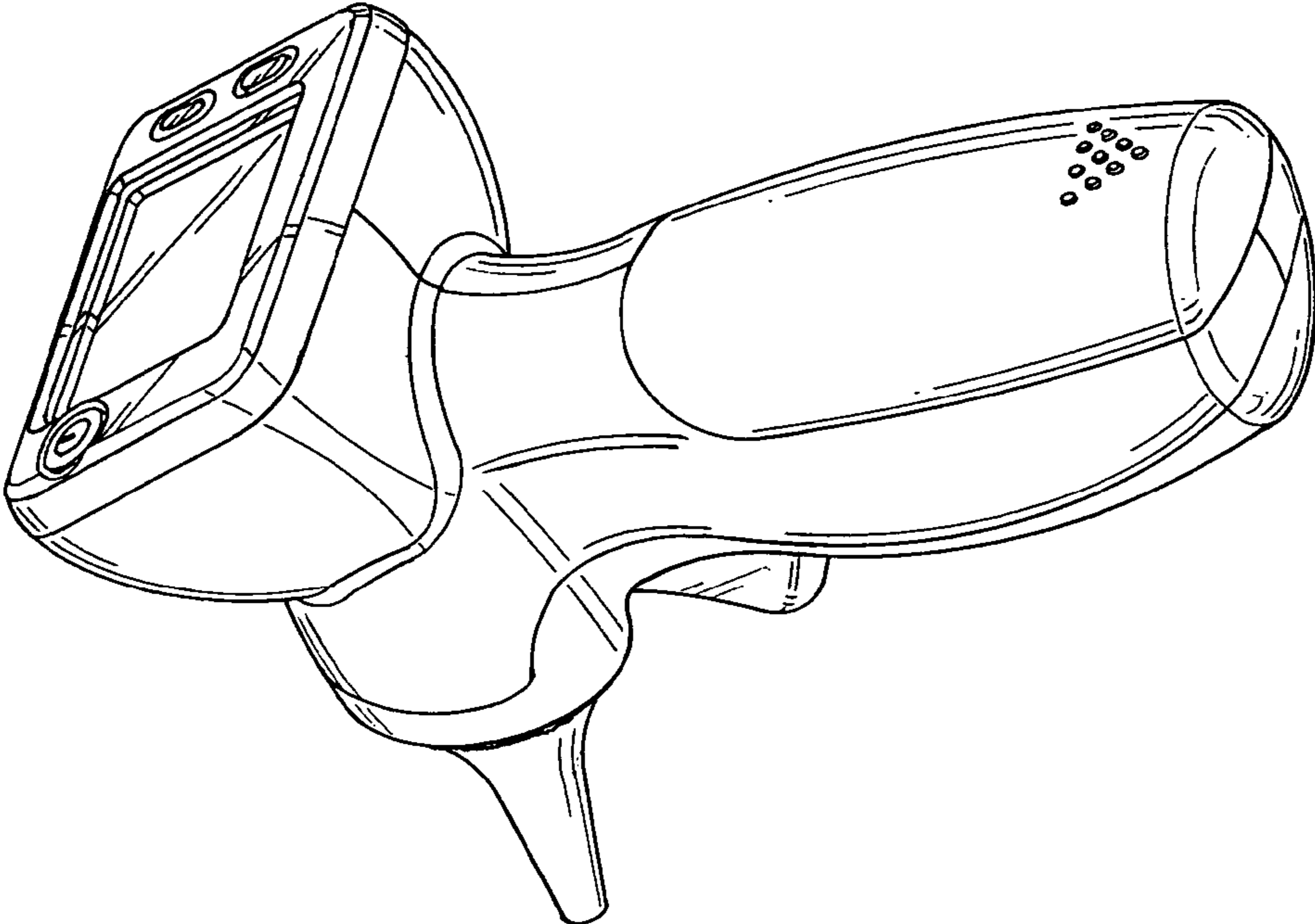


FIG. 2

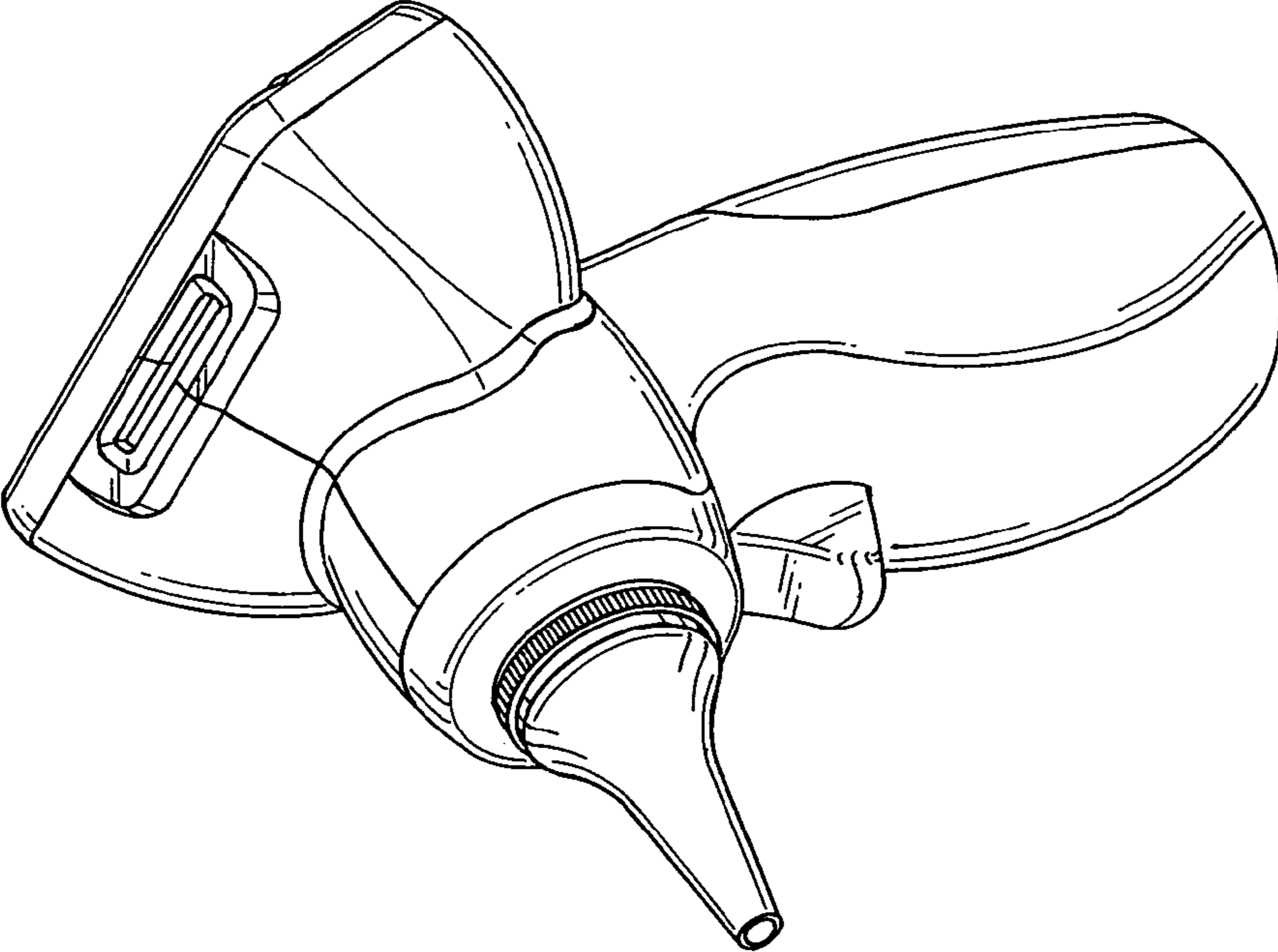


FIG. 1

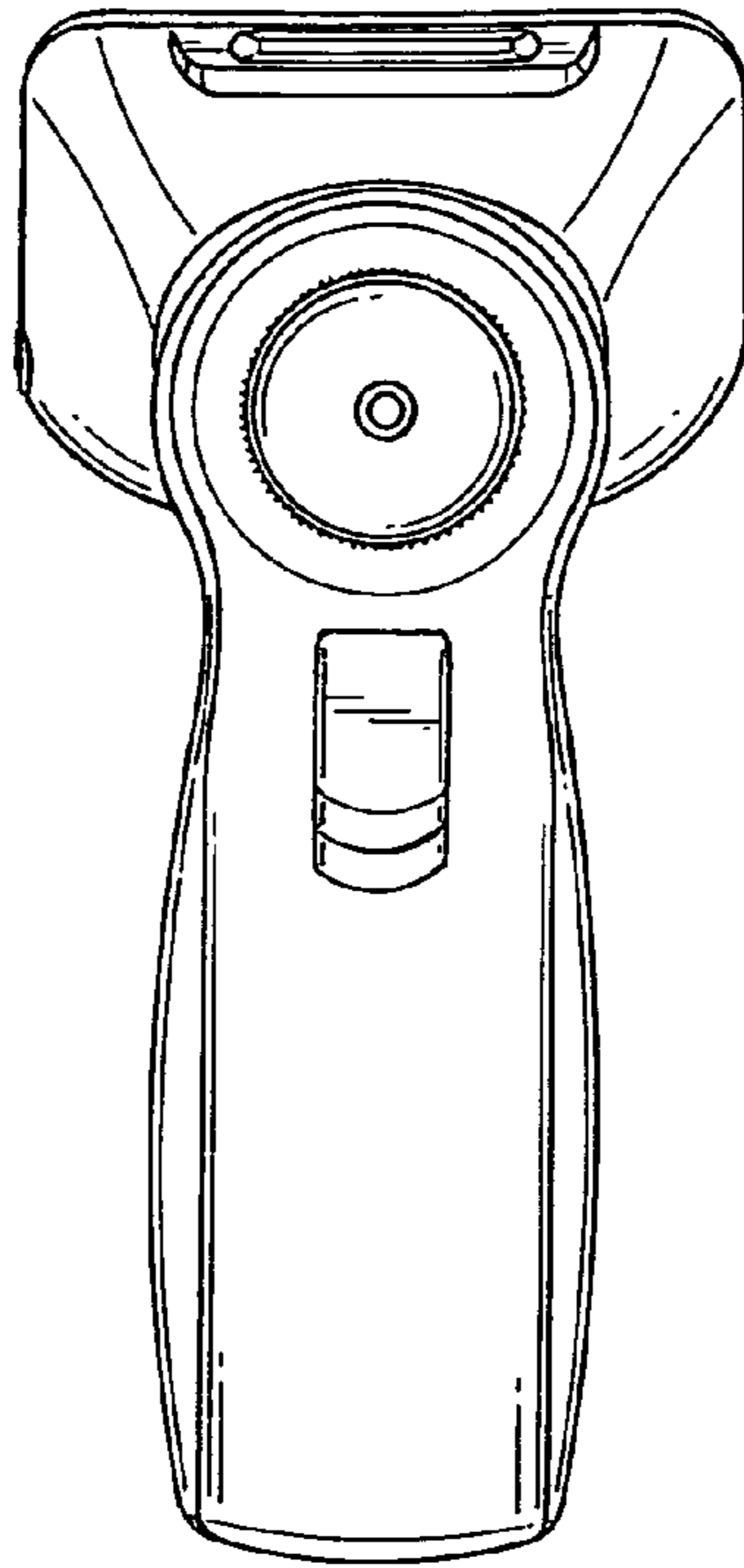


FIG. 3

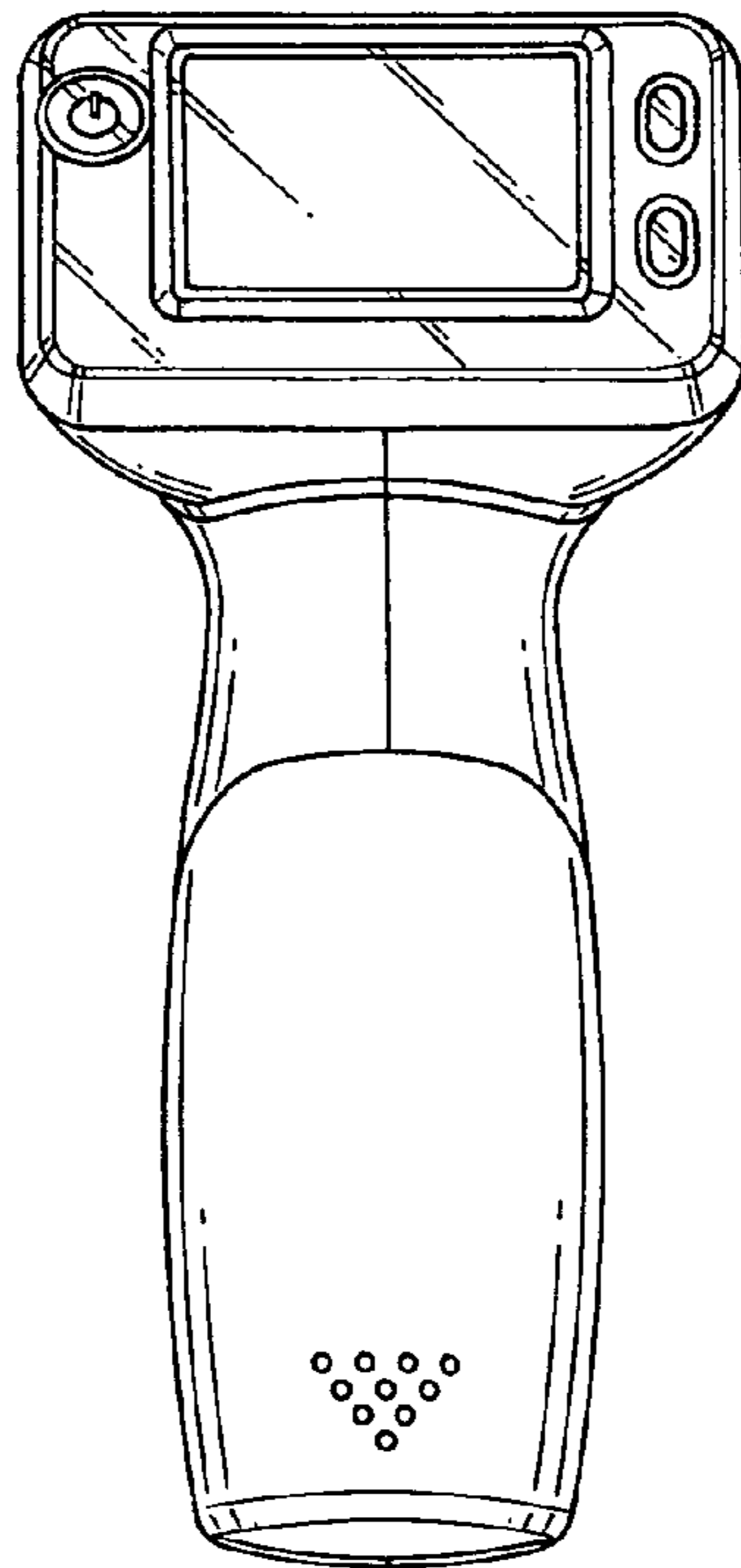


FIG. 4

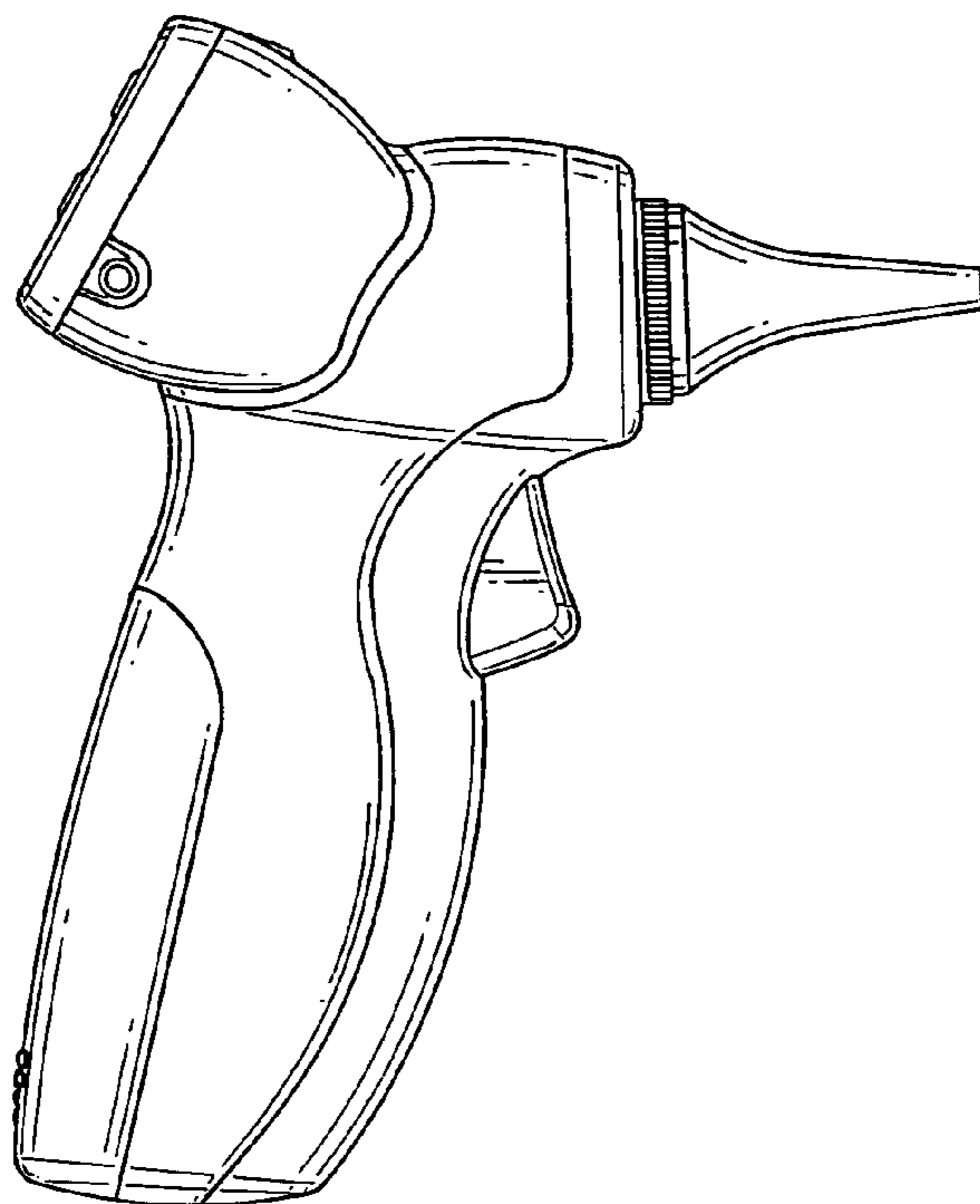


FIG. 5

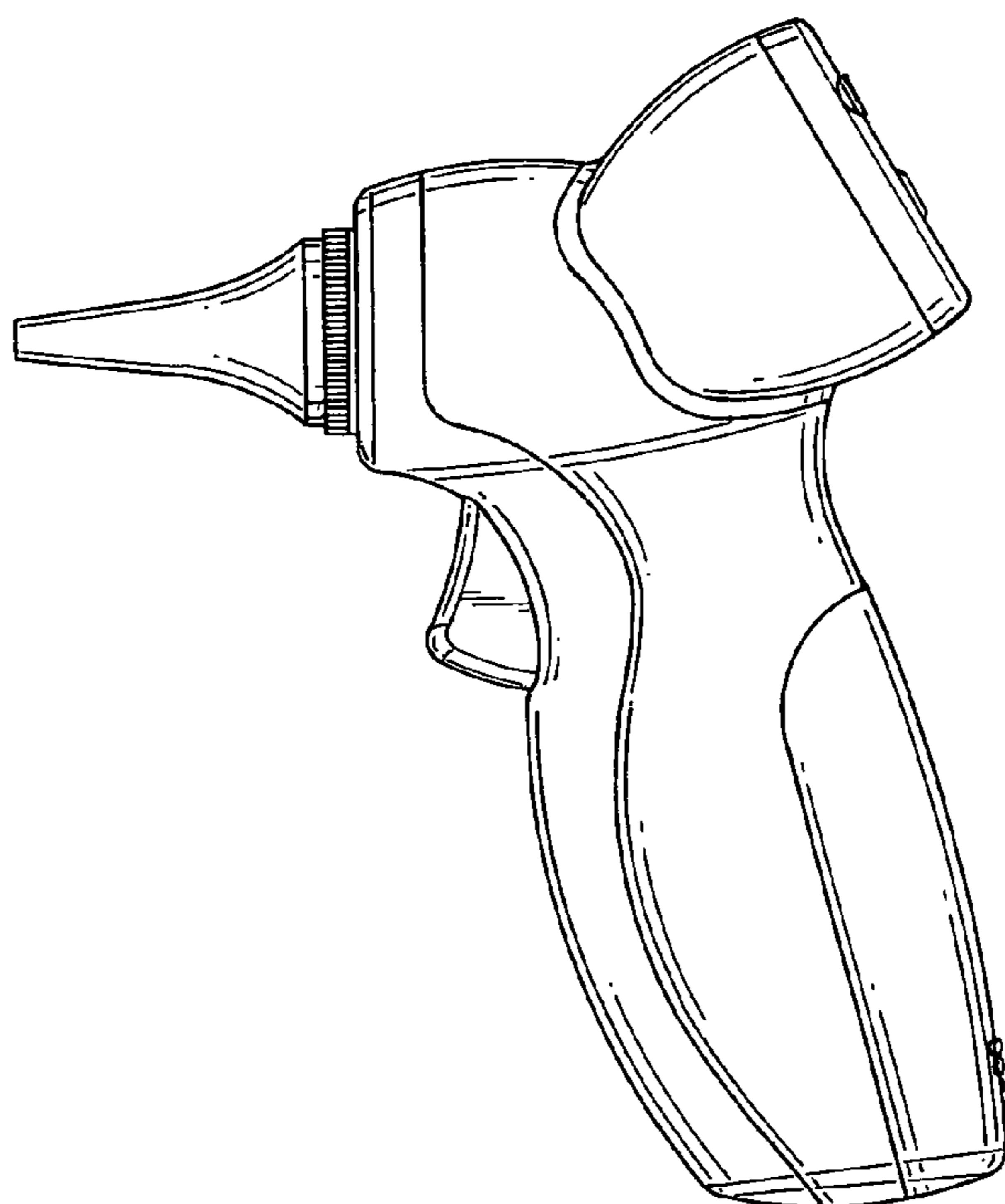


FIG. 6

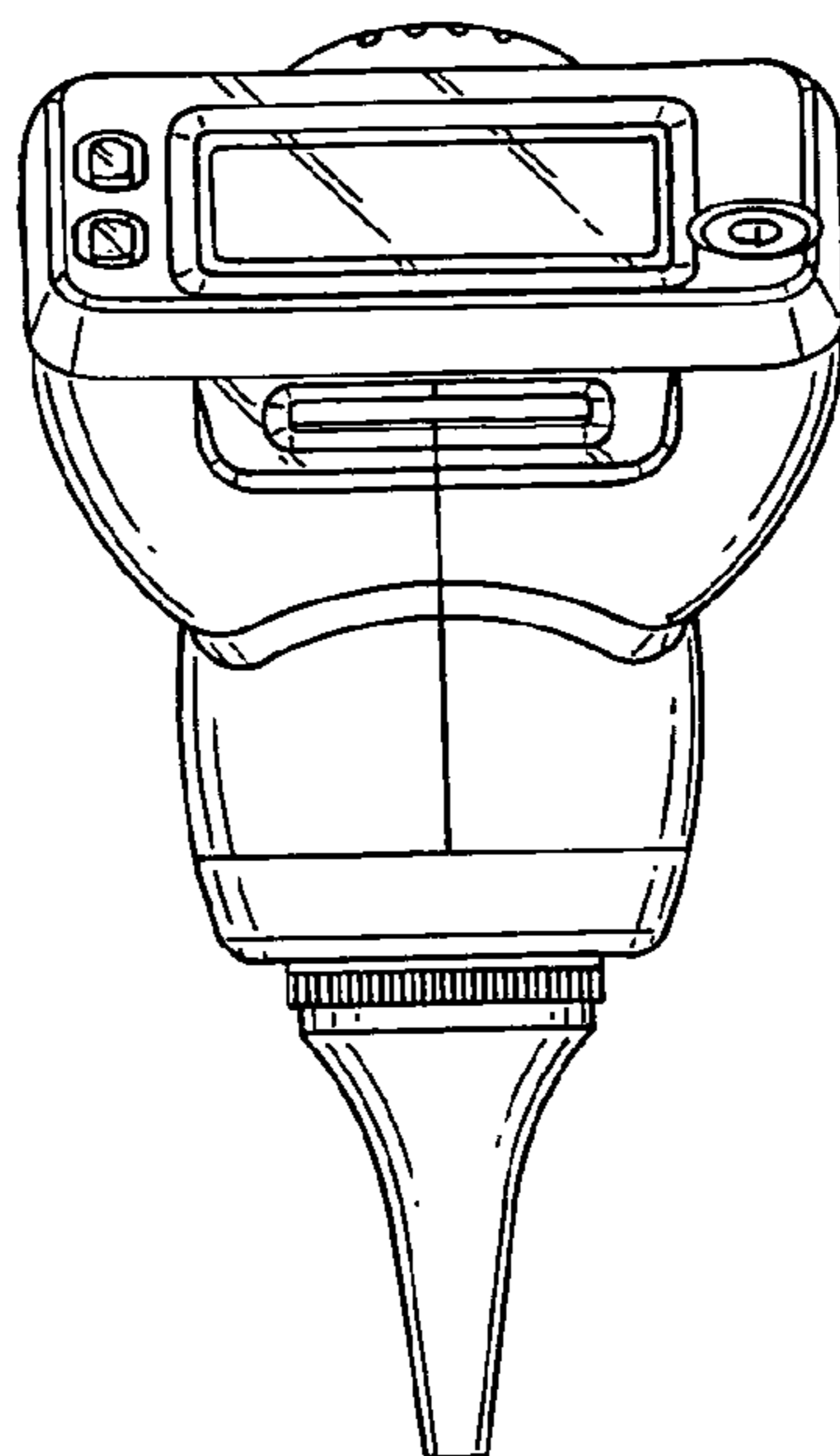


FIG. 7

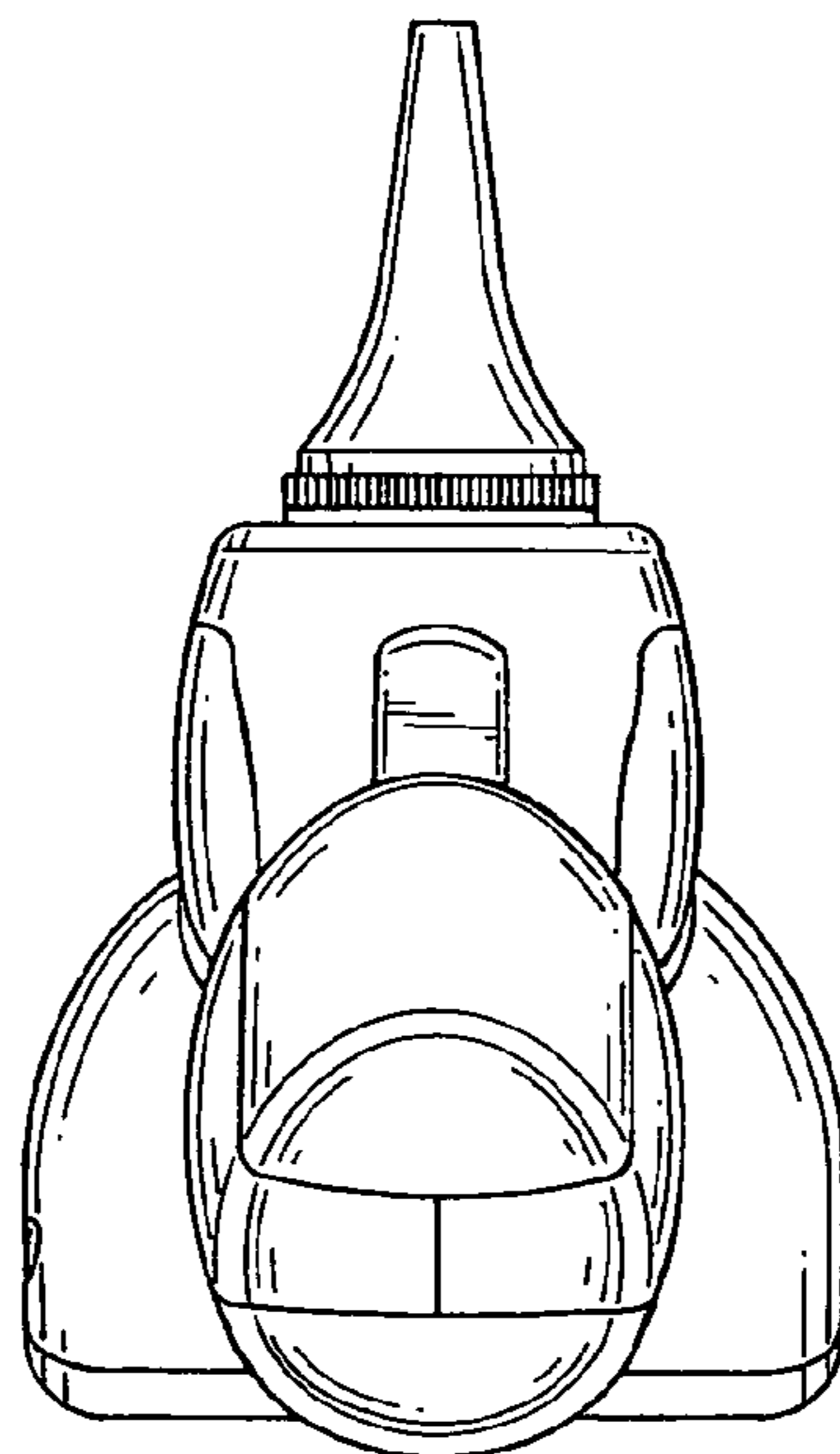


FIG. 8