



US00D594553S

(12) **United States Design Patent**  
**Stonehouse et al.**

(10) **Patent No.:** **US D594,553 S**  
(45) **Date of Patent:** **\*\* Jun. 16, 2009**

(54) **CANNULA**

(75) Inventors: **Alexandra Joy Stonehouse**, Marsfield (AU); **Martin Christopher Cook**, Lane Cove (AU); **John Campbell Woodard**, Turramurra (AU)

(73) Assignee: **Ventrassist Pty Ltd.**, Chatswood (AU)

(\*\*) Term: **14 Years**

(21) Appl. No.: **29/284,432**

(22) Filed: **Sep. 7, 2007**

(30) **Foreign Application Priority Data**

Jul. 25, 2007 (AU) ..... 19037/2007

(51) **LOC (9) Cl.** ..... **24-02**

(52) **U.S. Cl.** ..... **D24/112**

(58) **Field of Classification Search** ..... D24/114, D24/112, 133, 113, 186, 104, 130; 606/181, 606/185; 604/232, 187, 514-517  
See application file for complete search history.

(56) **References Cited**

**U.S. PATENT DOCUMENTS**

- D297,262 S \* 8/1988 Sternweiler ..... D24/112
- D302,296 S \* 7/1989 Harmony ..... D24/130
- D334,803 S \* 4/1993 Discsko, Jr. .... D24/112
- D336,516 S \* 6/1993 Nilsson ..... D24/130

- 5,397,312 A \* 3/1995 Rademaker et al. .... 604/187
- 5,429,599 A \* 7/1995 Heinke ..... 604/516
- D377,830 S \* 2/1997 Lai ..... D24/114
- D455,211 S \* 4/2002 Allende ..... D24/141
- D489,819 S \* 5/2004 Ford ..... D24/114
- D515,208 S \* 2/2006 Tarumi ..... D24/114
- 2005/0049624 A1 \* 3/2005 Francese et al. .... 606/185
- 2006/0161193 A1 \* 7/2006 Beane et al. .... 606/185
- 2006/0184131 A1 \* 8/2006 Murphy et al. .... 604/187

\* cited by examiner

*Primary Examiner*—T. Chase Nelson

*Assistant Examiner*—David G Muller

(74) *Attorney, Agent, or Firm*—Kaplan Gilman & Pergament LLP

(57) **CLAIM**

The ornamental design for a cannula, as shown and described.

**DESCRIPTION**

FIG. 1 is a right side view of the cannula of the present invention, shown at a larger scale;

FIG. 2 is a left side view thereof, shown at a larger scale;

FIG. 3 is a top view thereof;

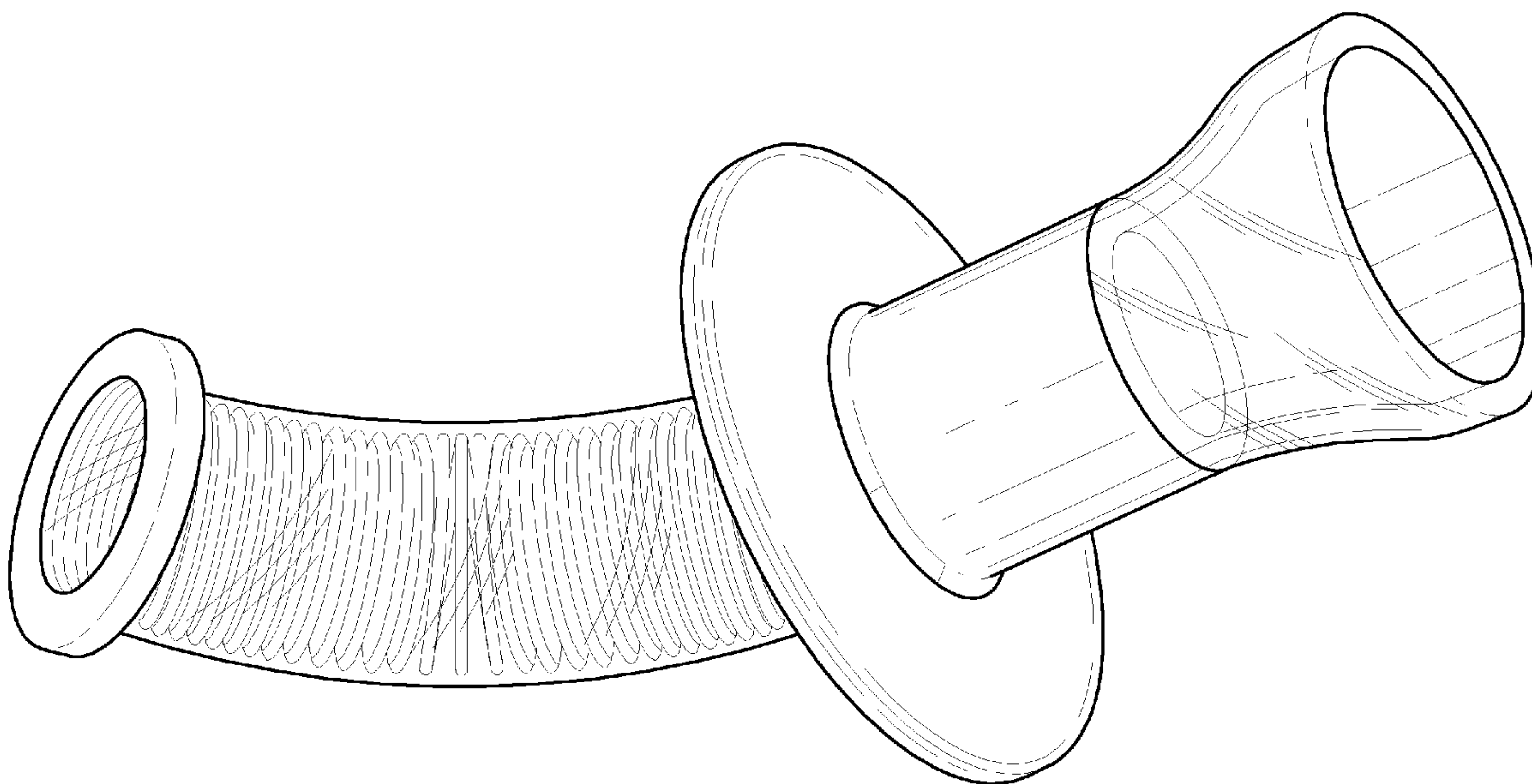
FIG. 4 is a bottom view thereof;

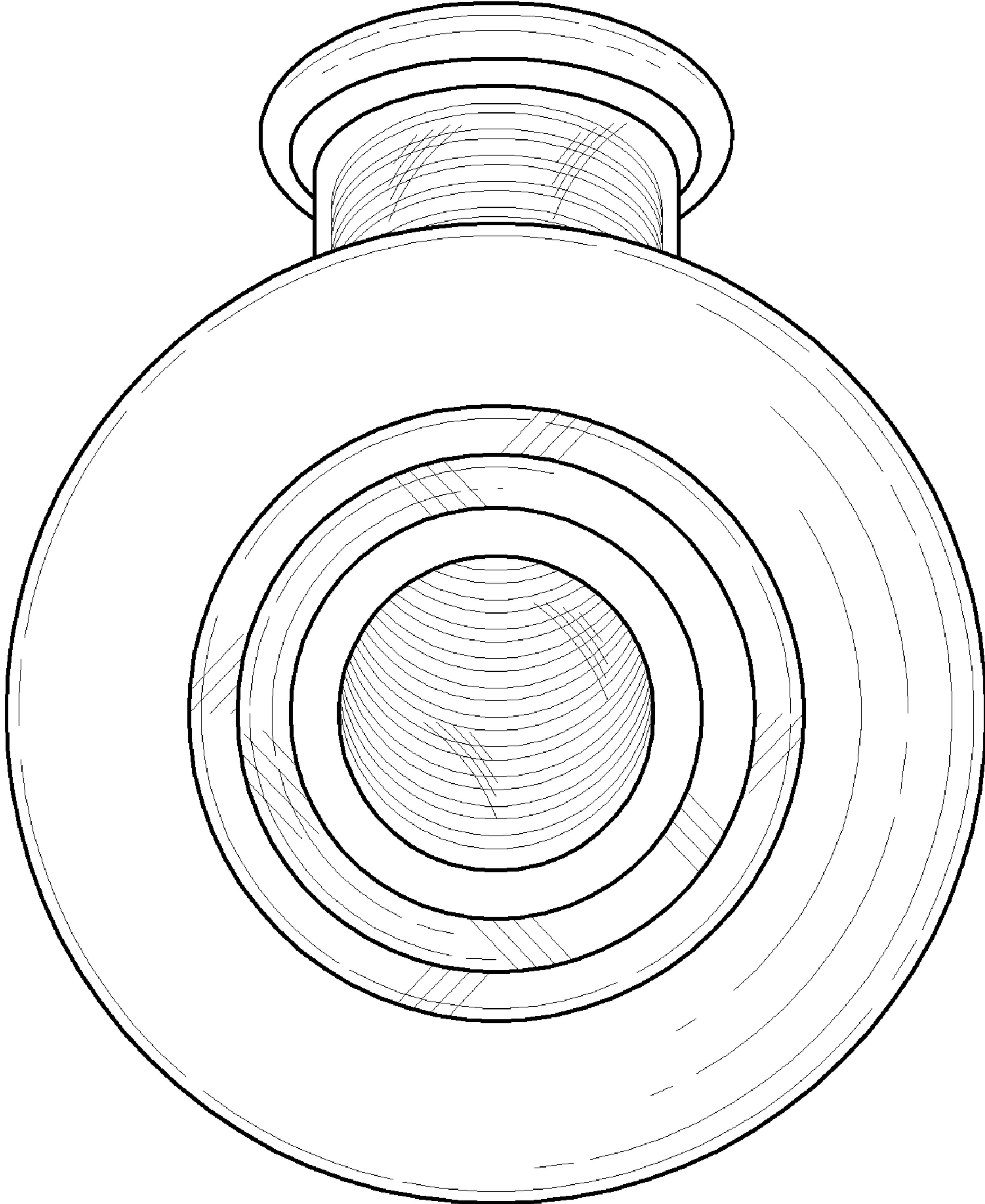
FIG. 5 is a front view thereof;

FIG. 6 is a back view thereof; and,

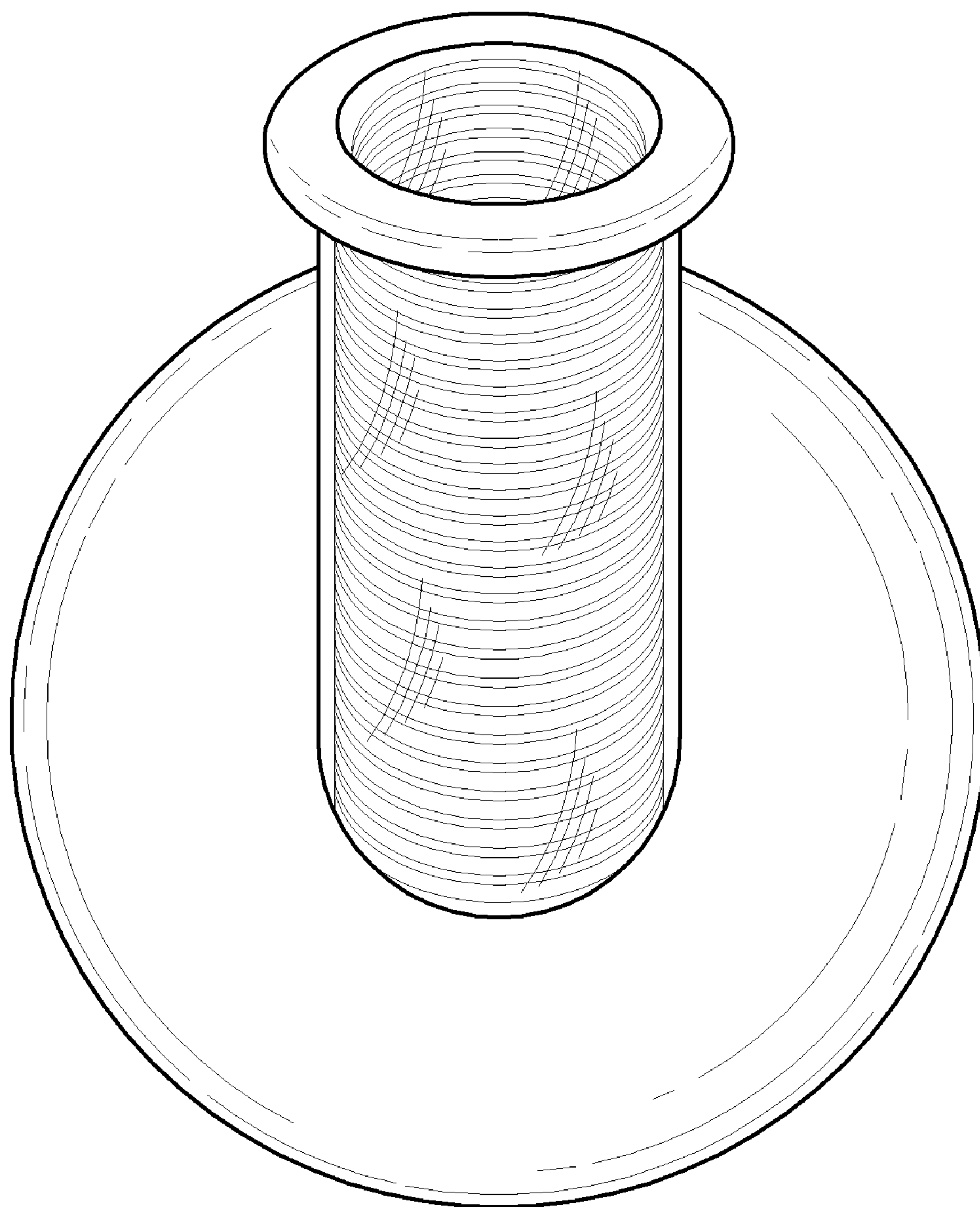
FIG. 7 is a front perspective view thereof.

**1 Claim, 7 Drawing Sheets**





*FIG. 1*



*FIG. 2*

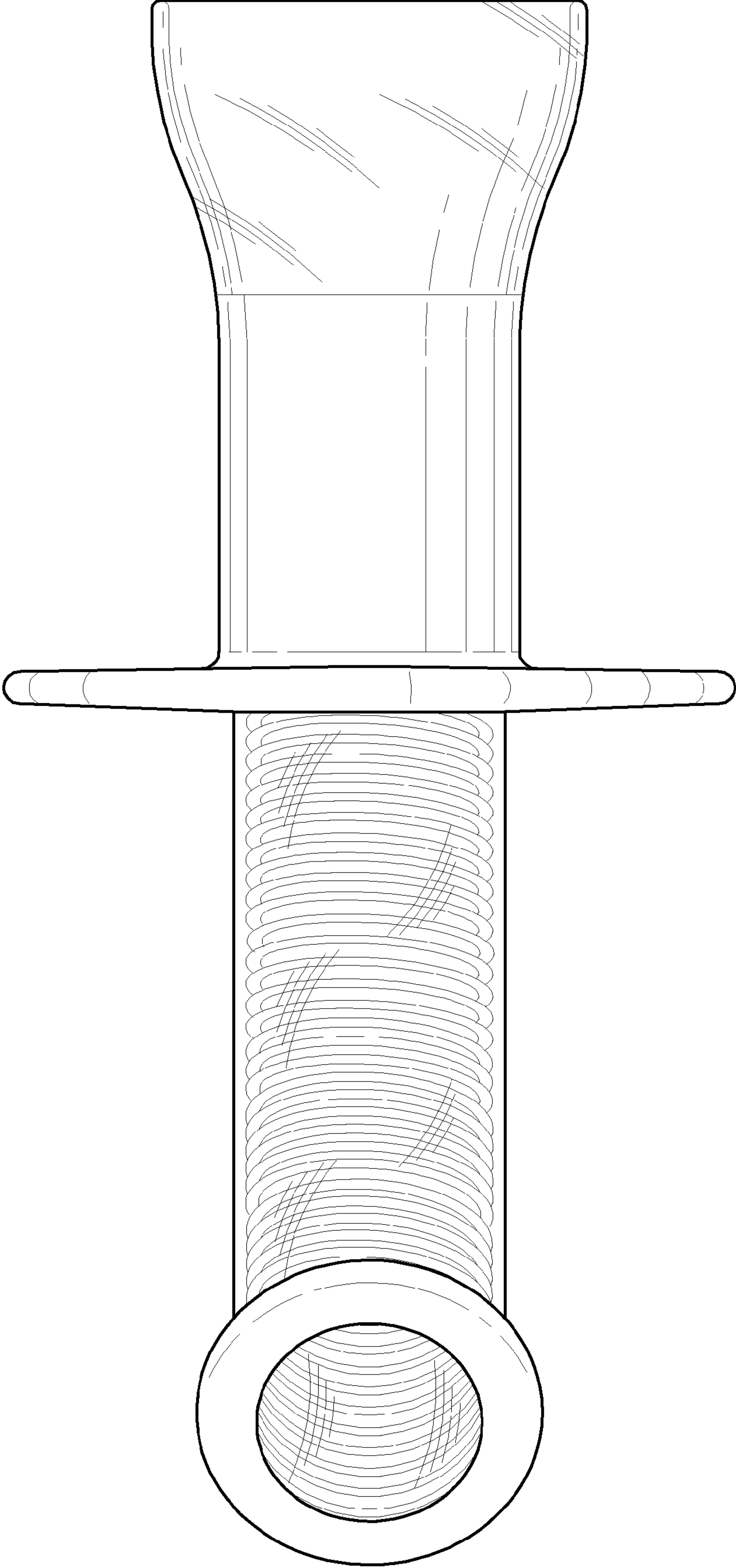


FIG. 3



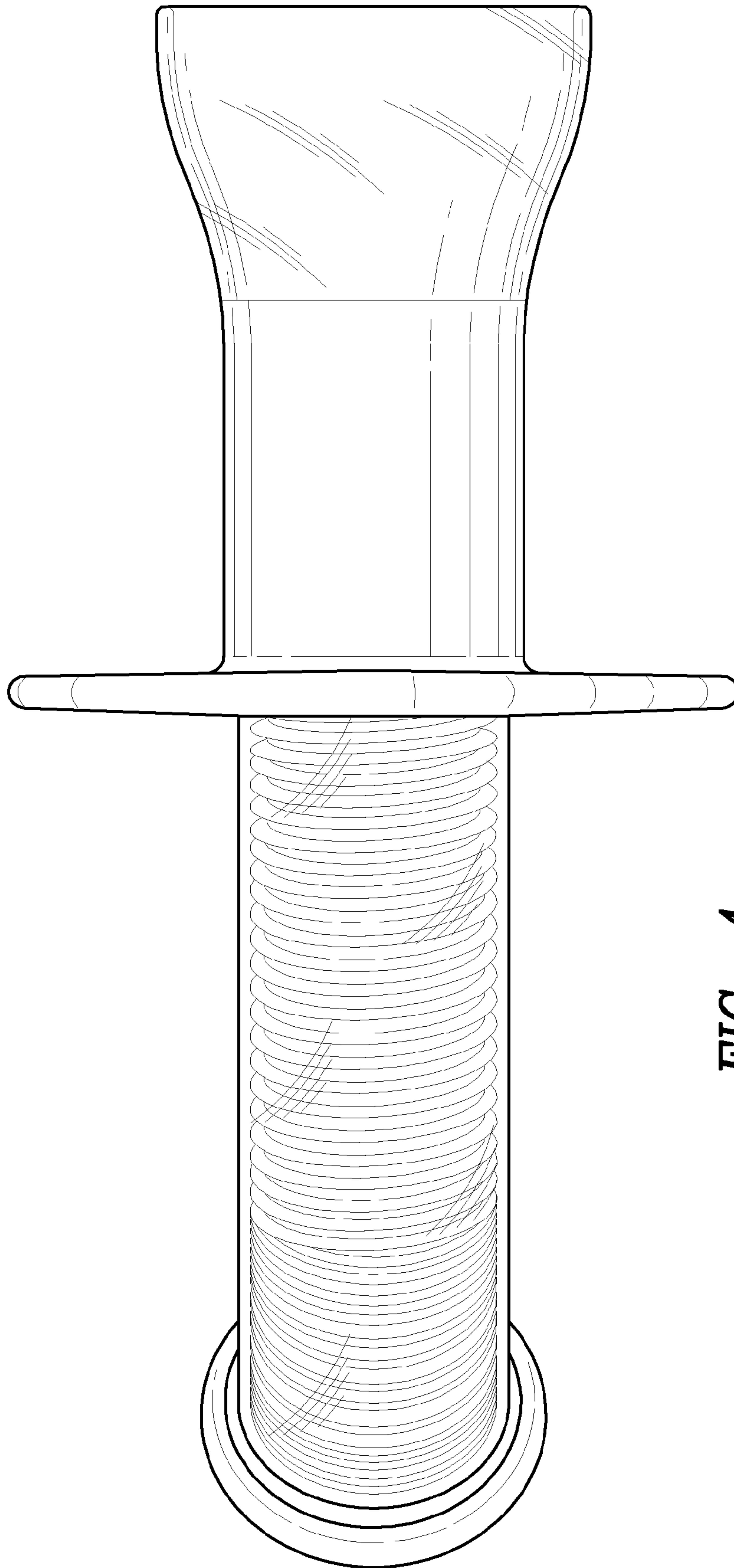


FIG. 4

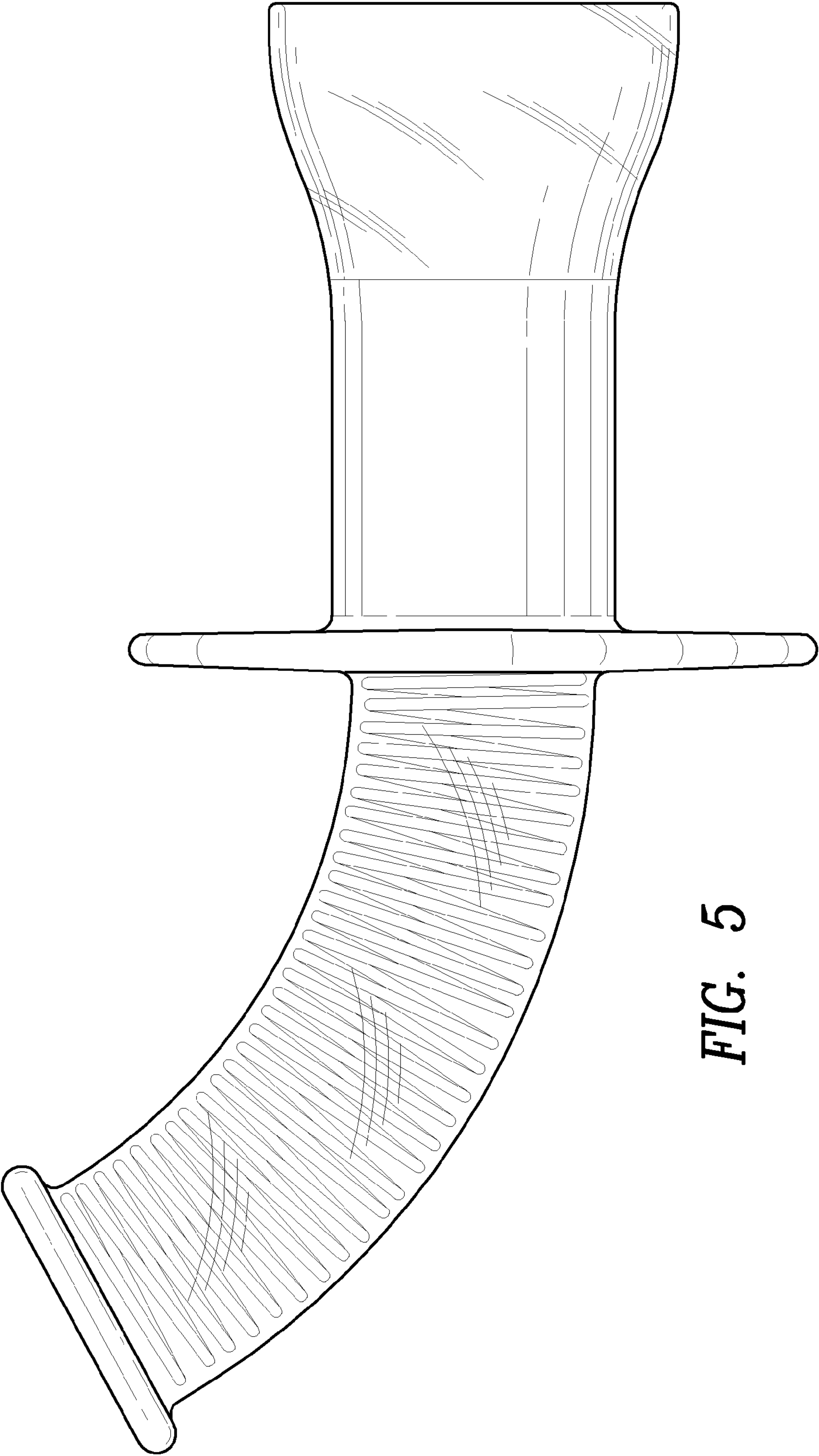


FIG. 5

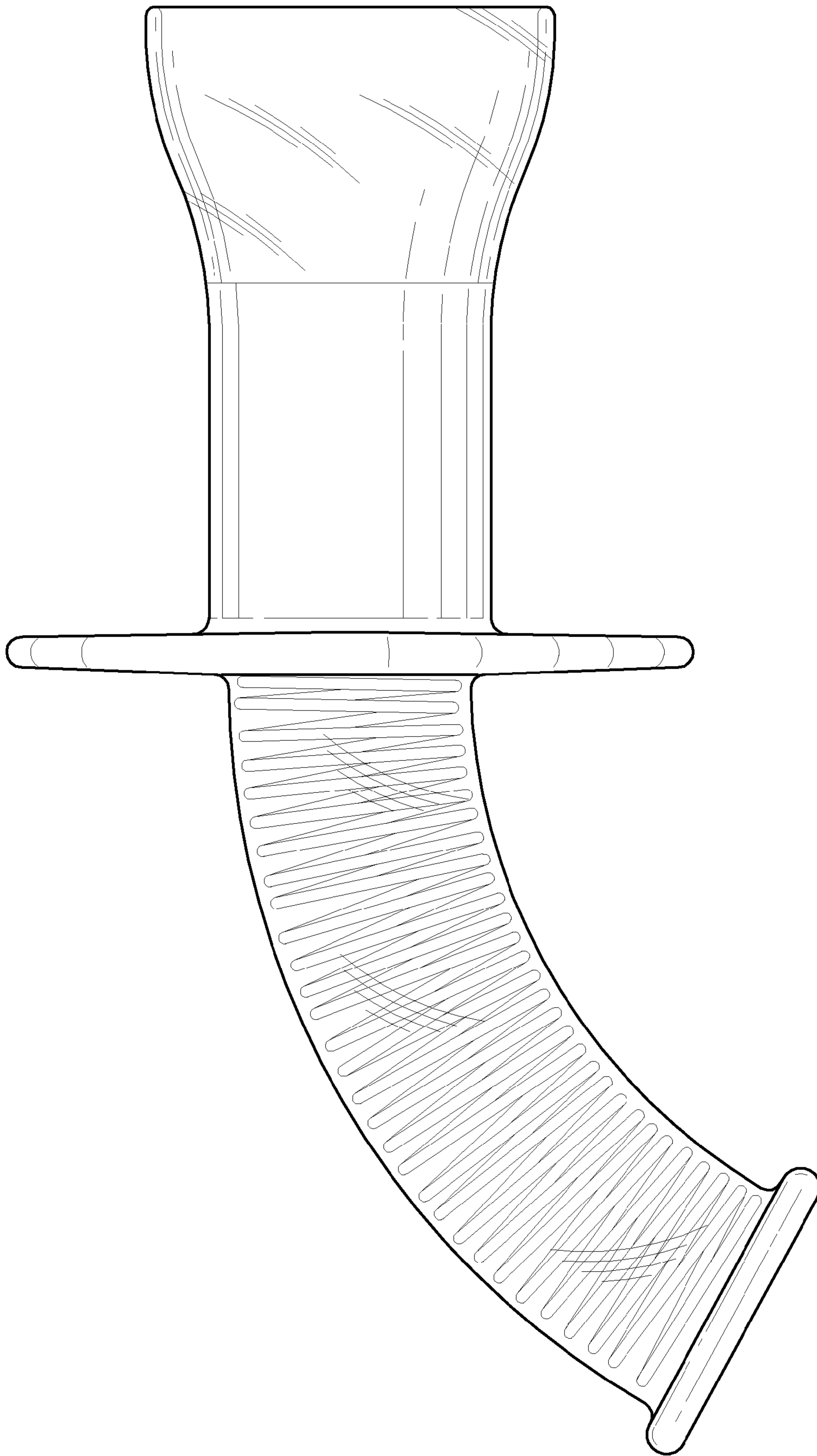


FIG. 6

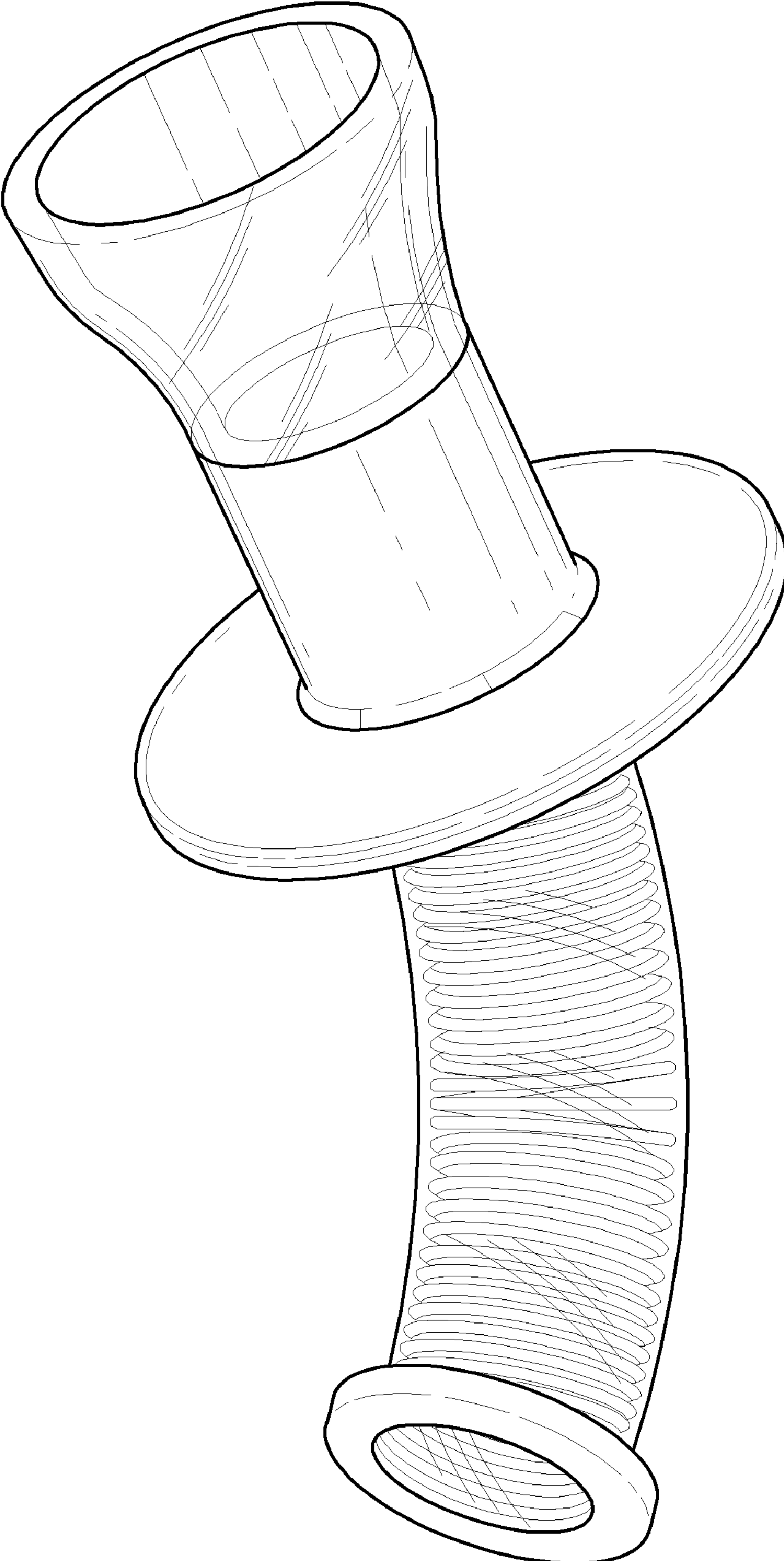


FIG. 7