



US00D594547S

(12) **United States Design Patent**  
**Frampton**

(10) **Patent No.:** **US D594,547 S**

(45) **Date of Patent:** **\*\* Jun. 16, 2009**

(54) **FAN ASSEMBLY**

(75) Inventor: **Thomas C. Frampton**, Zionsville, IN (US)

(73) Assignee: **Fanimation, Inc.**, Zionsville, IN (US)

(\*\*) Term: **14 Years**

(21) Appl. No.: **29/294,067**

(22) Filed: **Dec. 20, 2007**

(51) **LOC (9) Cl.** ..... **23-04**

(52) **U.S. Cl.** ..... **D23/411**

(58) **Field of Classification Search** ..... D23/377,  
D23/379, 385, 411, 413; 416/5  
See application file for complete search history.

(56) **References Cited**

U.S. PATENT DOCUMENTS

1,334,781	A *	3/1920	Morse	.....	74/412 R
D313,467	S	1/1991	Frampton		
D451,997	S	12/2001	Schwartz		
D456,073	S	4/2002	Frampton		
D460,817	S	7/2002	Frampton		
D461,888	S	8/2002	Frampton		
D477,662	S	7/2003	Liou		
D478,975	S *	8/2003	Gajewski	.....	D23/377

\* cited by examiner

*Primary Examiner*—Lisa P Lichtenstein  
*(74) Attorney, Agent, or Firm*—Maginot, Moore & Beck

(57) **CLAIM**

The ornamental design for a fan assembly, as shown and described.

**DESCRIPTION**

FIG. 1 is top perspective view of a fan assembly showing my new design;

FIG. 2 is a front elevational view showing the design for the fan assembly of FIG. 1;

FIG. 3 is a rear elevational view showing the design for the fan assembly of FIG. 1;

FIG. 4 is a left side elevational view showing the design for the fan assembly of FIG. 1;

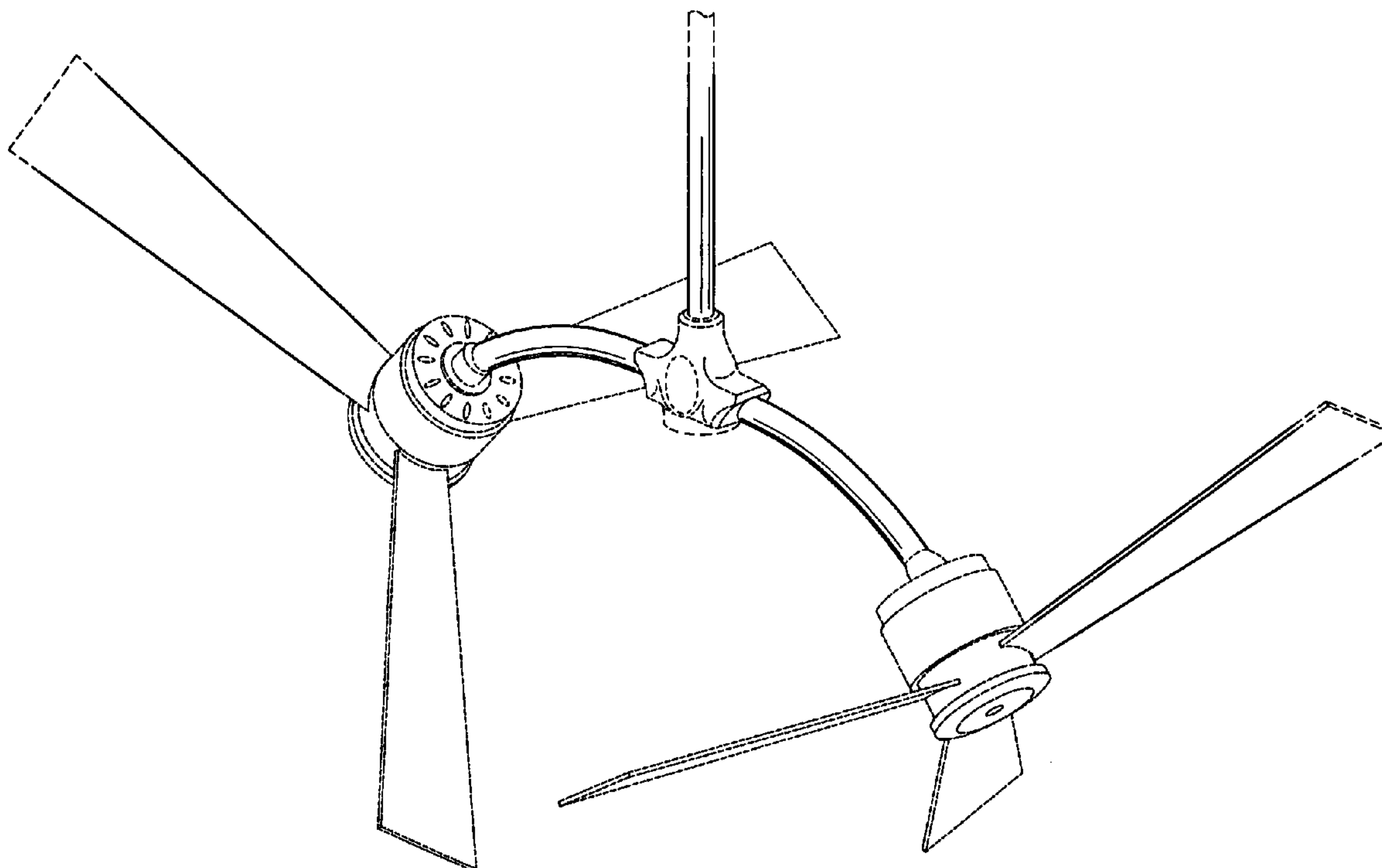
FIG. 5 is a right side elevational view showing the design for the fan assembly of FIG. 1;

FIG. 6 is a bottom elevational view showing the design for the fan assembly of FIG. 1; and,

FIG. 7 is a top elevational view showing the design for the fan assembly of FIG. 1.

The broken line showing of portions of the fan assembly is included for the purpose of illustrating environmental structure and forms no part of the claimed design.

**1 Claim, 7 Drawing Sheets**



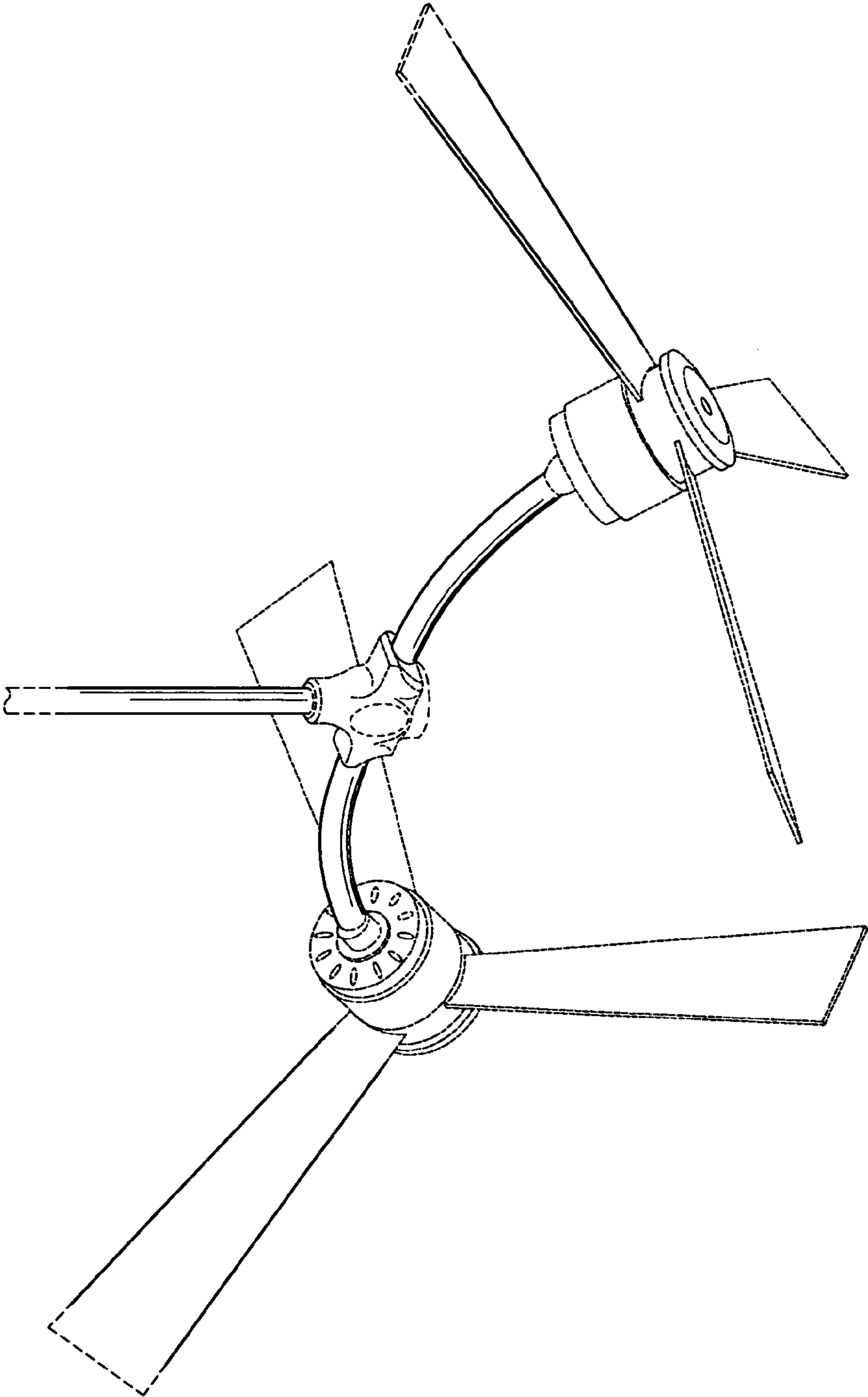


Fig. 1

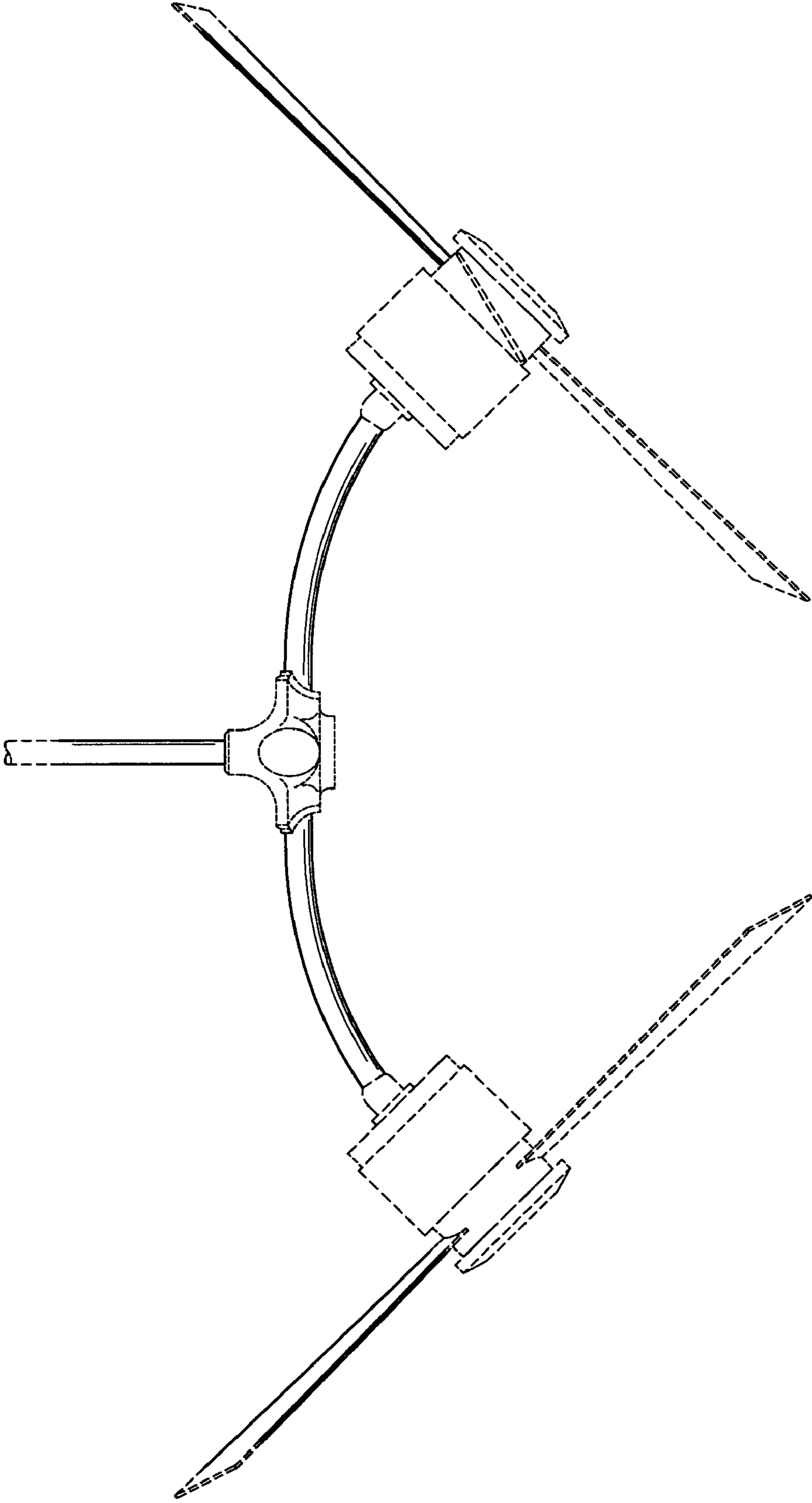


Fig. 2

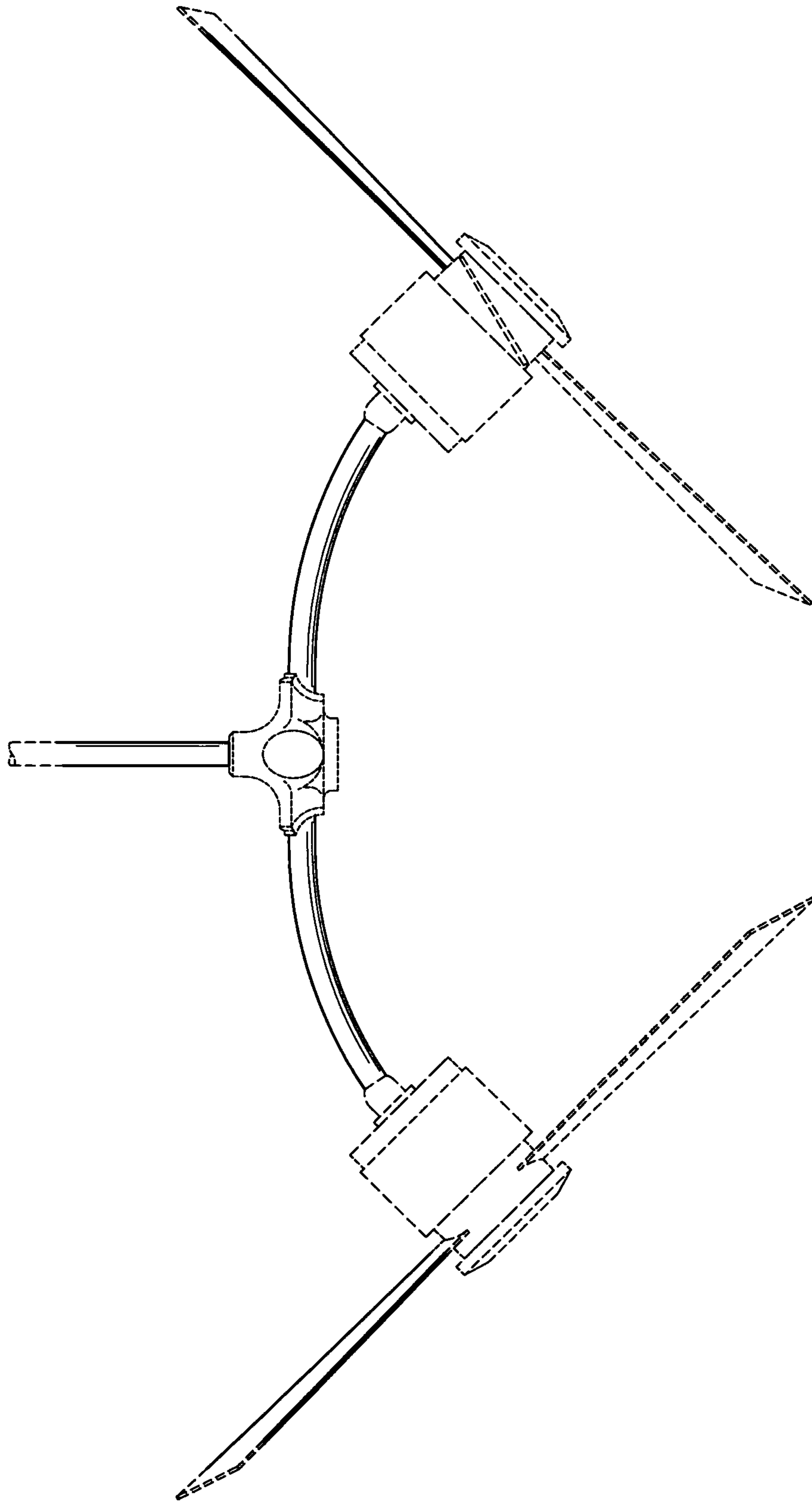


Fig. 3

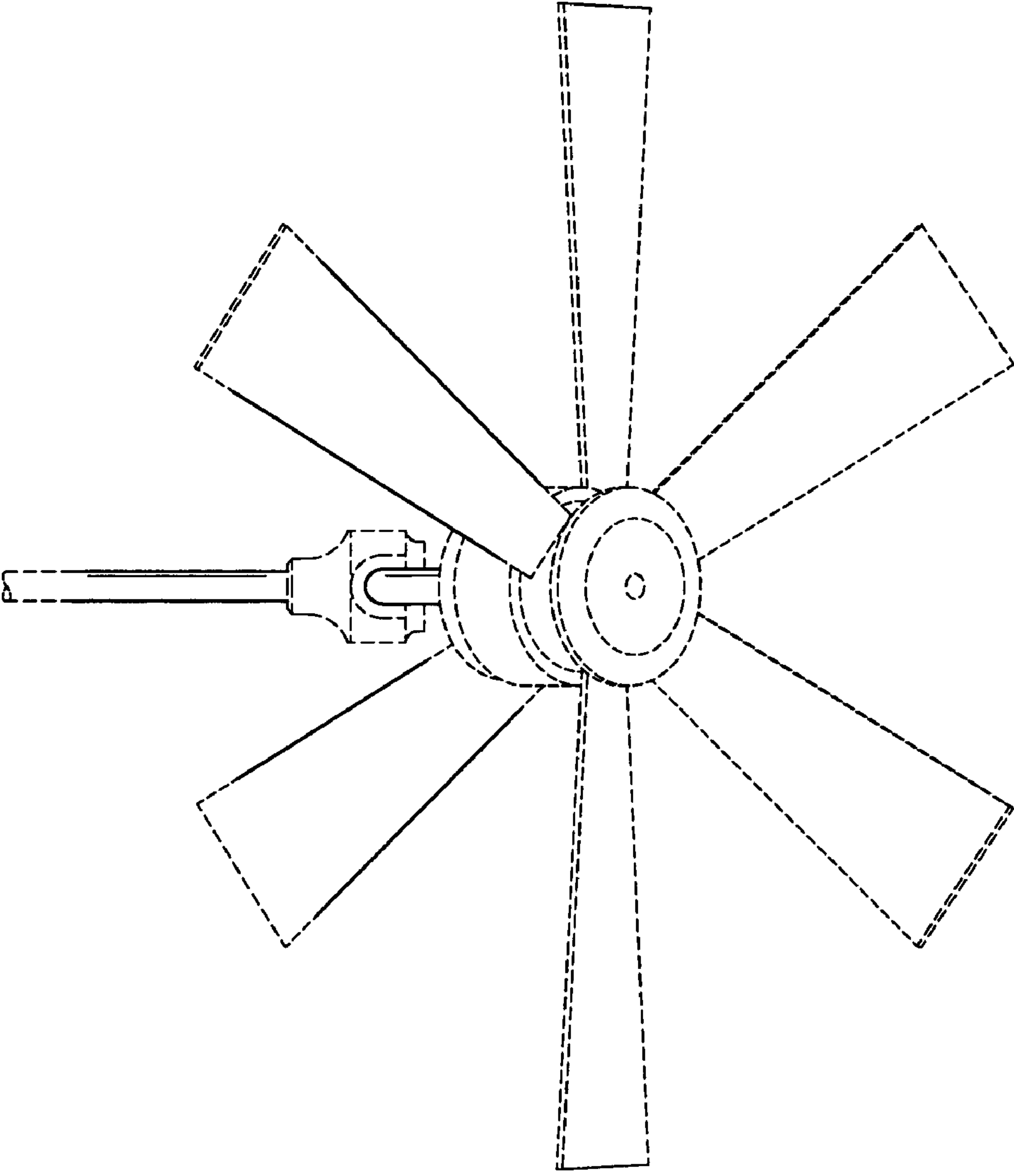


Fig. 4

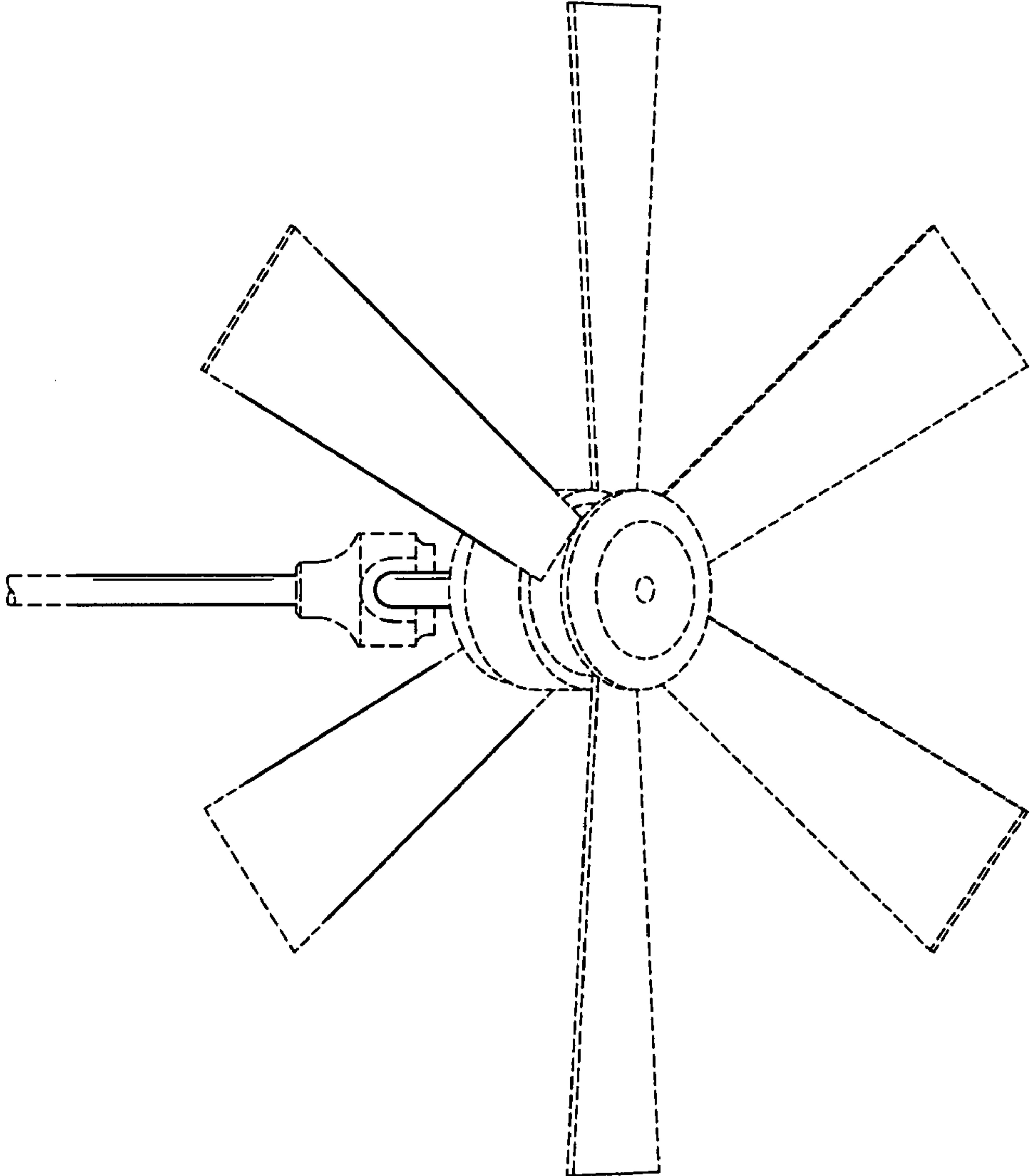


Fig. 5

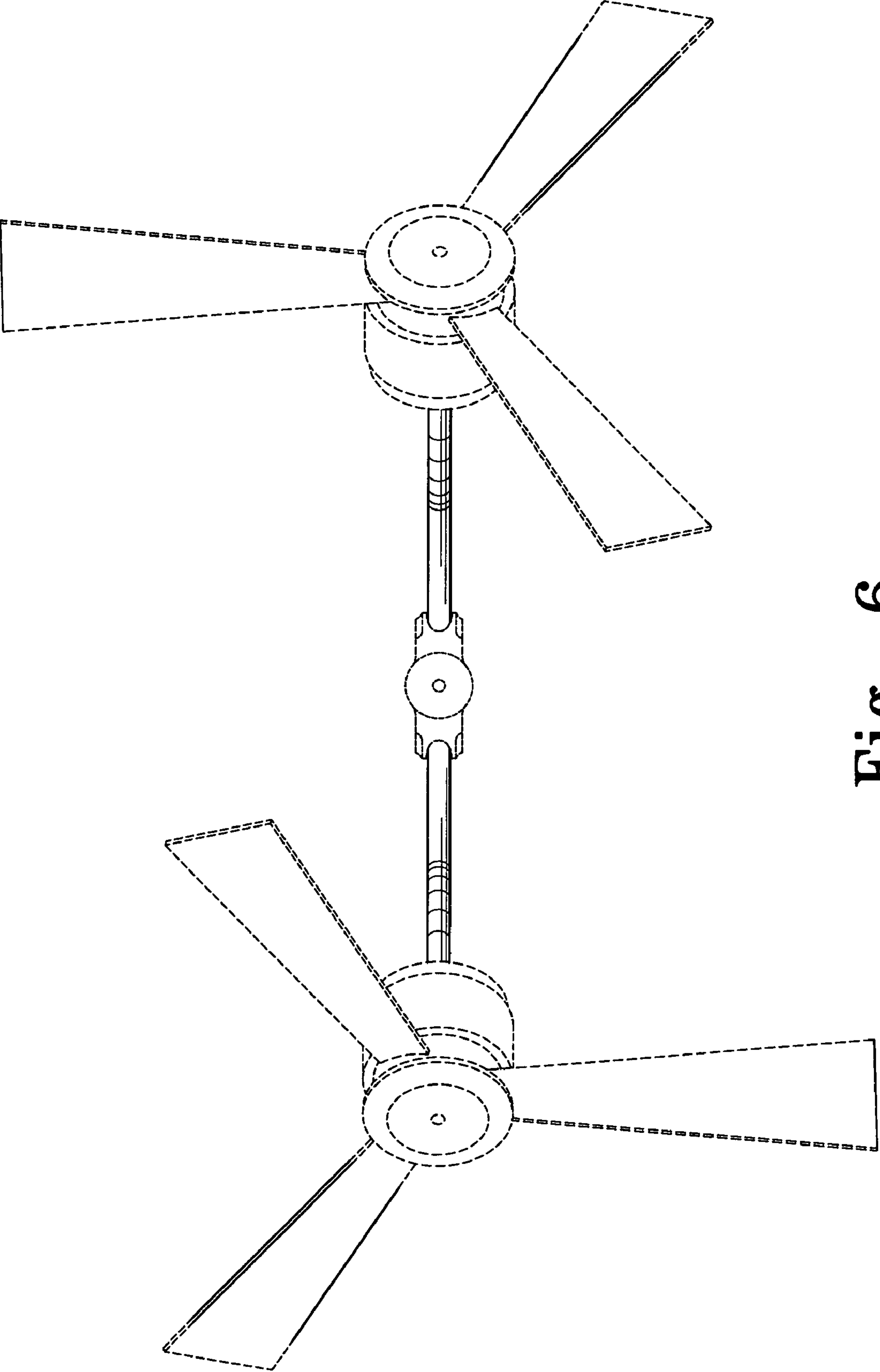


Fig. 6



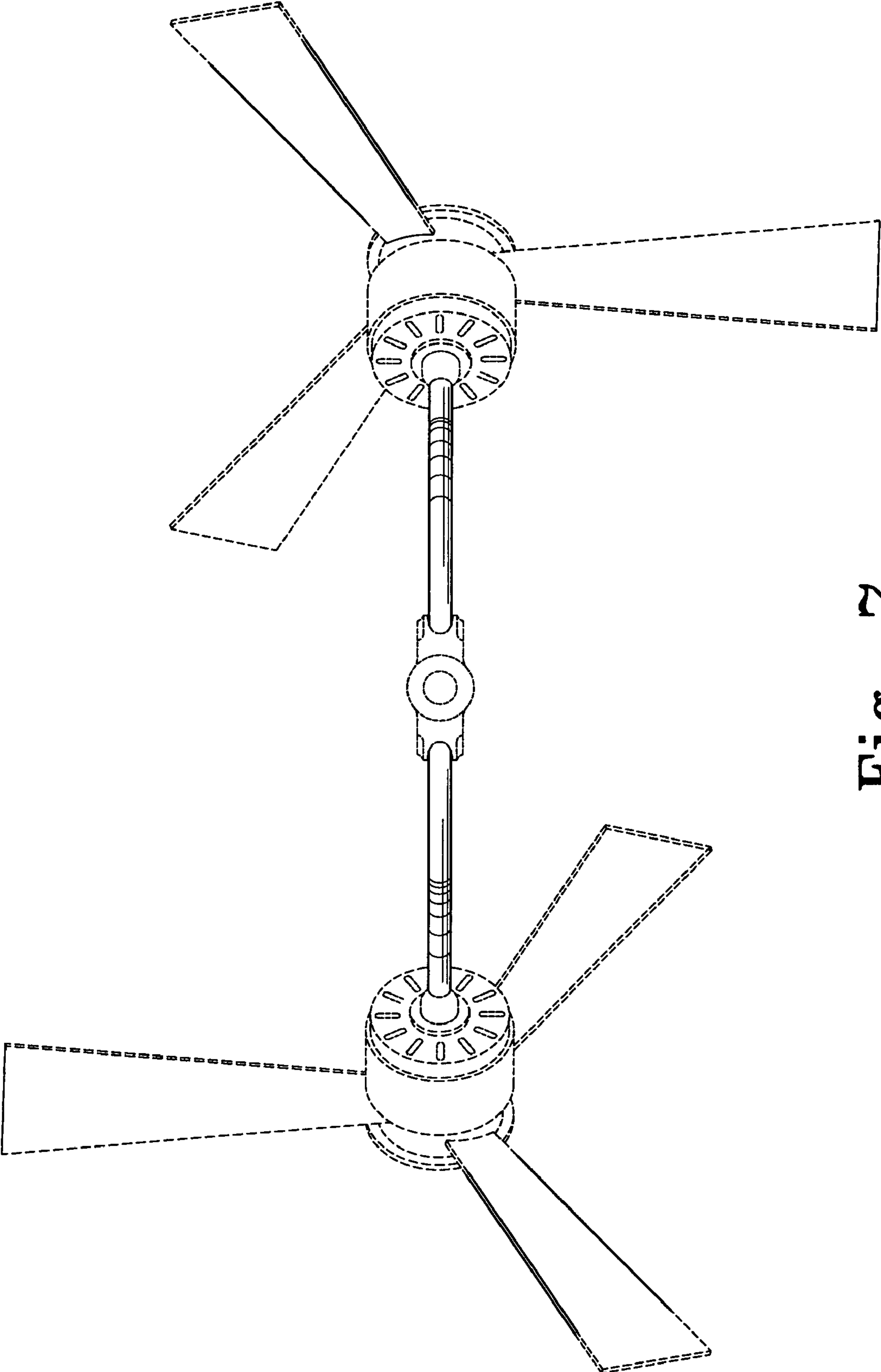


Fig. 7