



US00D594546S

(12) **United States Design Patent**
Blateri

(10) **Patent No.:** **US D594,546 S**

(45) **Date of Patent:** **** Jun. 16, 2009**

(54) **FAN**

(76) **Inventor:** **Frank Blateri**, 191 Chaucer Ct.,
Coppell, TX (US) 76019

(**) **Term:** **14 Years**

(21) **Appl. No.:** **29/263,322**

(22) **Filed:** **Jul. 20, 2006**

(51) **LOC (9) Cl.** **23-04**

(52) **U.S. Cl.** **D23/382**

(58) **Field of Classification Search** D23/382,
D23/381, 332, 370, 411, 412, 378; 416/246 R,
416/247 R, 244 R

See application file for complete search history.

(56) **References Cited**

U.S. PATENT DOCUMENTS

- 4,657,483 A * 4/1987 Bede 415/222
- D306,903 S 3/1990 Shin-Chin
- D429,328 S 8/2000 Hotaling et al.
- D433,117 S 10/2000 Wolfe

- D433,497 S 11/2000 Hotaling et al.
- D482,438 S * 11/2003 Barker et al. D23/382
- D529,165 S * 9/2006 Bucher et al. D23/378
- D531,718 S * 11/2006 Bucher et al. D23/382
- D562,442 S * 2/2008 Blateri D23/382

* cited by examiner

Primary Examiner—Lisa P Lichtenstein

(74) *Attorney, Agent, or Firm*—Haynes and Boone, LLP

(57) **CLAIM**

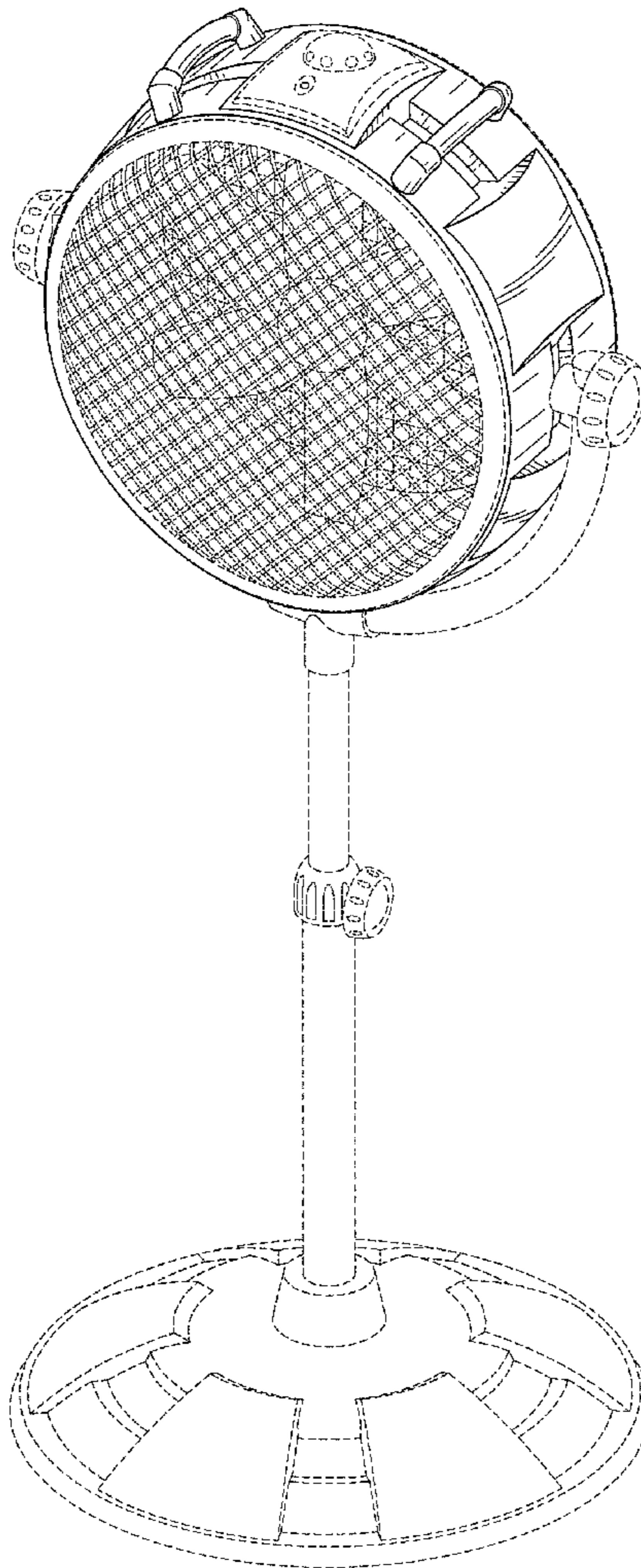
The ornamental design for a fan, as shown and described.

DESCRIPTION

FIG. 1 is an isometric view of the fan showing my new design; FIG. 2 is a side elevational view of the fan of FIG. 1; and, FIG. 3 is a front elevational view of the fan of FIG. 1.

The broken line showing of portions of the fan is included for the purpose of illustrating environmental structure and forms no part of the claimed design.

1 Claim, 3 Drawing Sheets



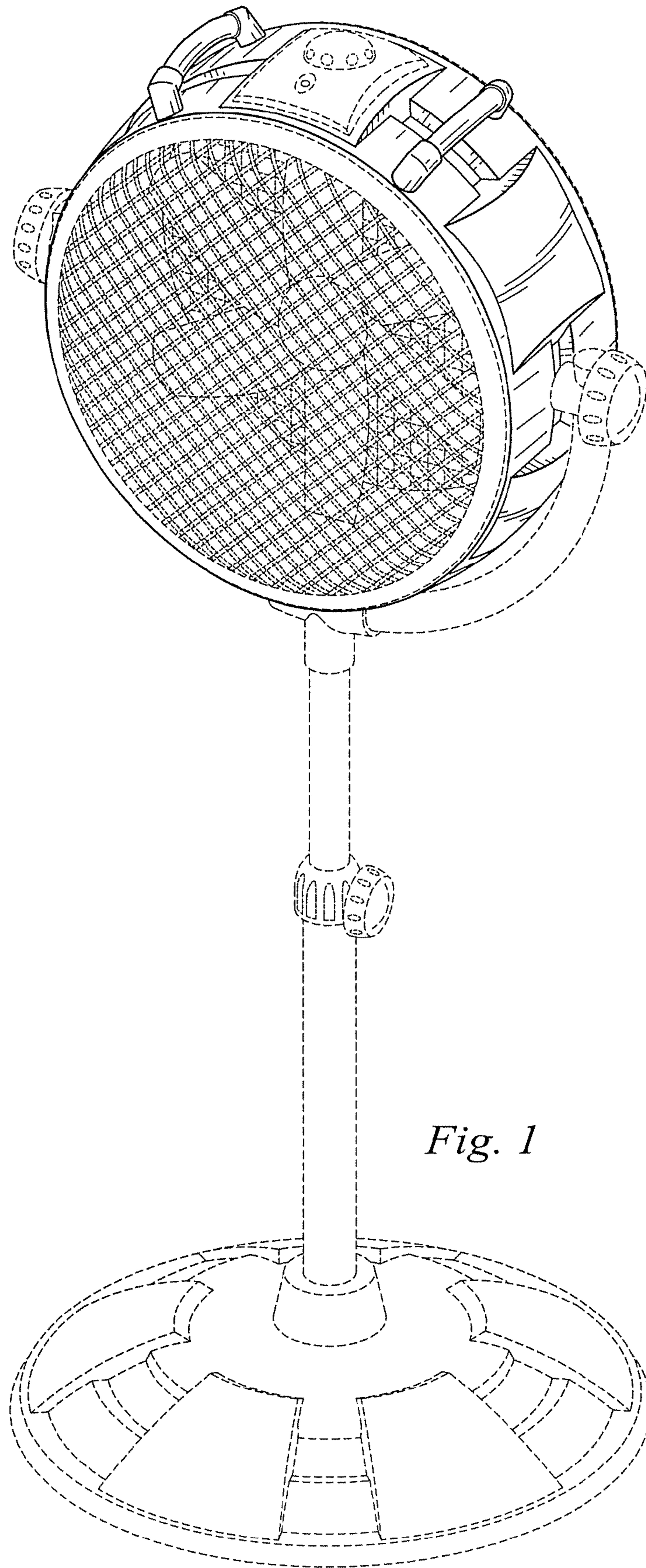


Fig. 1

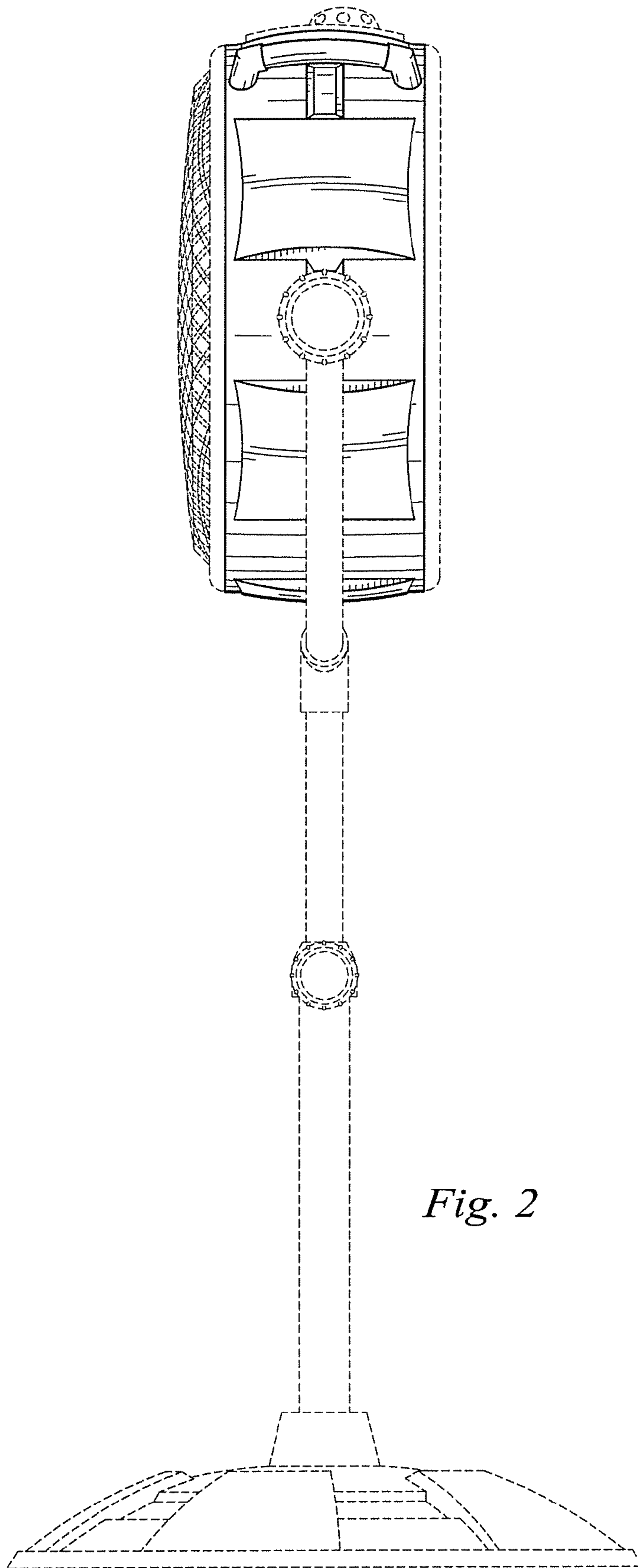


Fig. 2

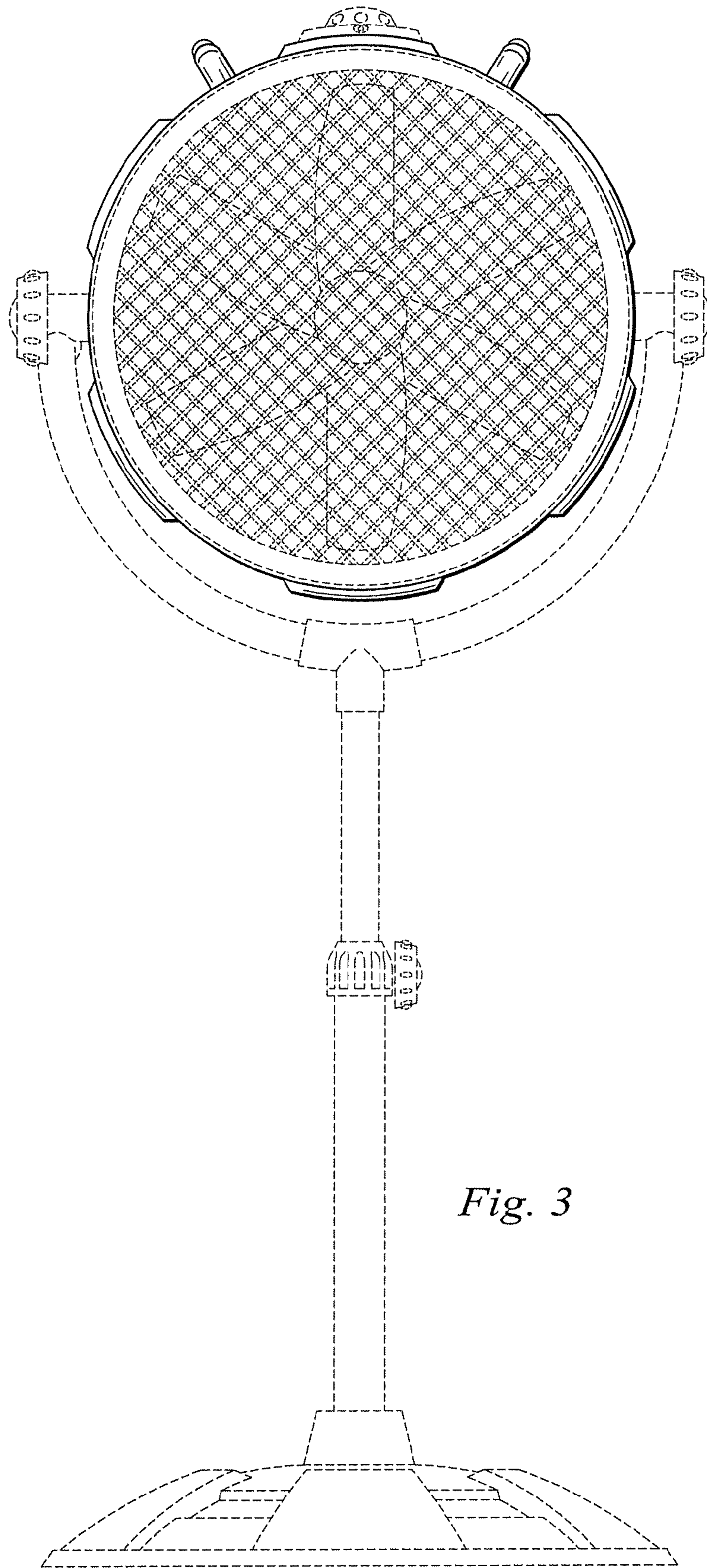


Fig. 3