



US00D594545S

(12) **United States Design Patent**
Blateri

(10) **Patent No.:** **US D594,545 S**

(45) **Date of Patent:** **** Jun. 16, 2009**

(54) **FAN**

(76) **Inventor:** **Frank Blateri**, 191 Chaucer Ct.,
Coppell, TX (US) 76019

(**) **Term:** **14 Years**

(21) **Appl. No.:** **29/263,316**

(22) **Filed:** **Jul. 20, 2006**

(51) **LOC (9) Cl.** **23-04**

(52) **U.S. Cl.** **D23/382**

(58) **Field of Classification Search** D23/382,
D23/381, 332, 370, 411, 412, 378; 416/246 R,
416/247 R, 244 R

See application file for complete search history.

(56) **References Cited**

U.S. PATENT DOCUMENTS

4,657,483	A *	4/1987	Bede	415/222
D306,903	S	3/1990	Shin-Chin		
D429,328	S	8/2000	Hotaling et al.		
D433,117	S	10/2000	Wolfe		

D433,497	S	11/2000	Hotaling et al.		
D482,438	S *	11/2003	Barker et al.	D23/382
D529,165	S *	9/2006	Bucher et al.	D23/378
D531,718	S *	11/2006	Bucher et al.	D23/382
D562,442	S *	2/2008	Blateri	D23/382

* cited by examiner

Primary Examiner—Lisa P Lichtenstein

(74) *Attorney, Agent, or Firm*—Haynes and Boone, LLP

(57) **CLAIM**

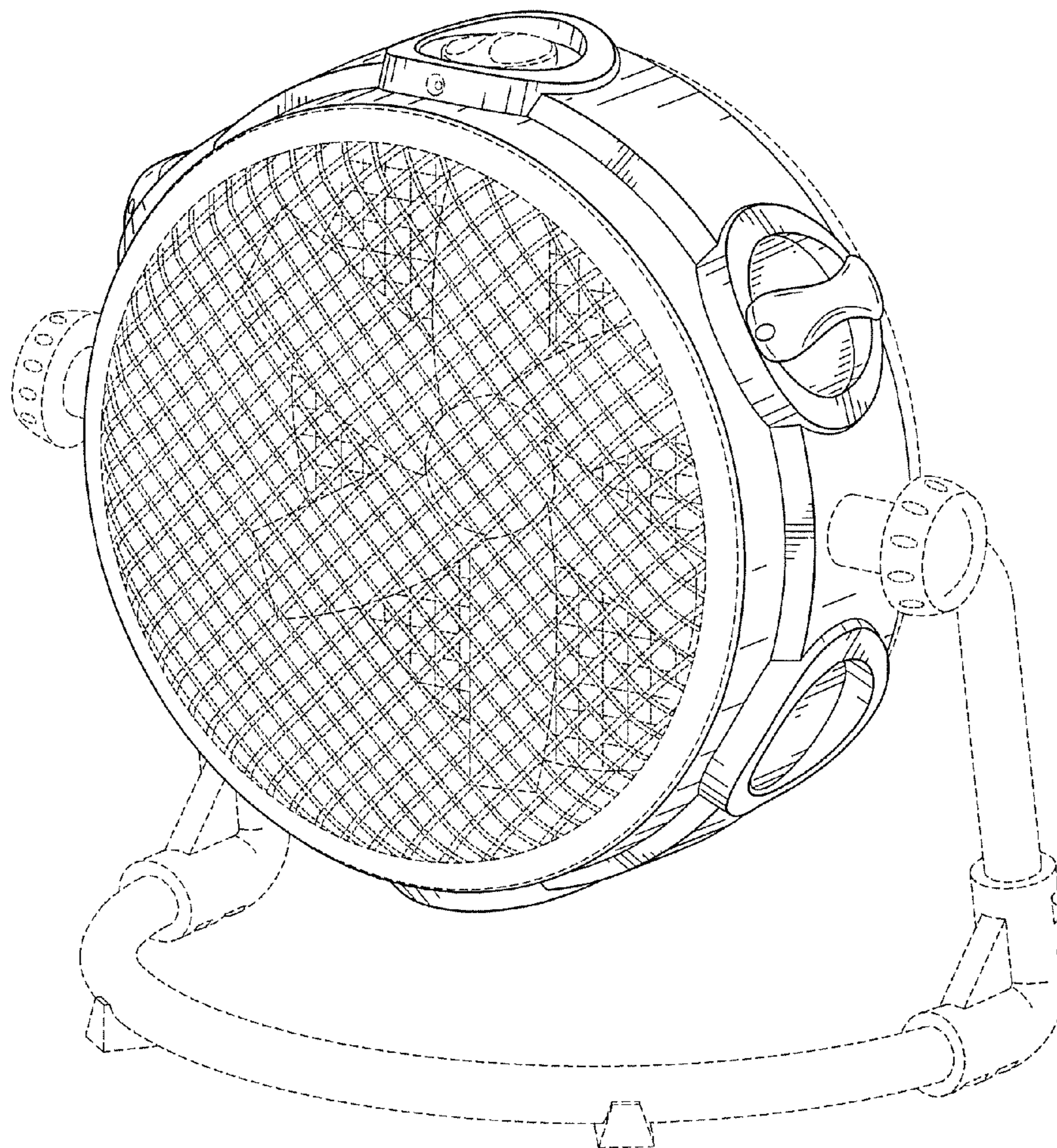
The ornamental design for a fan, as shown and described.

DESCRIPTION

FIG. 1 is an isometric view of the fan showing my new design; FIG. 2 is a side elevational view of the fan of FIG. 1; and, FIG. 3 is a top plan view of the fan of FIG. 1.

The broken line showing of portions of the fan is included for the purpose of illustrating environmental structure and forms no part of the claimed design.

1 Claim, 3 Drawing Sheets



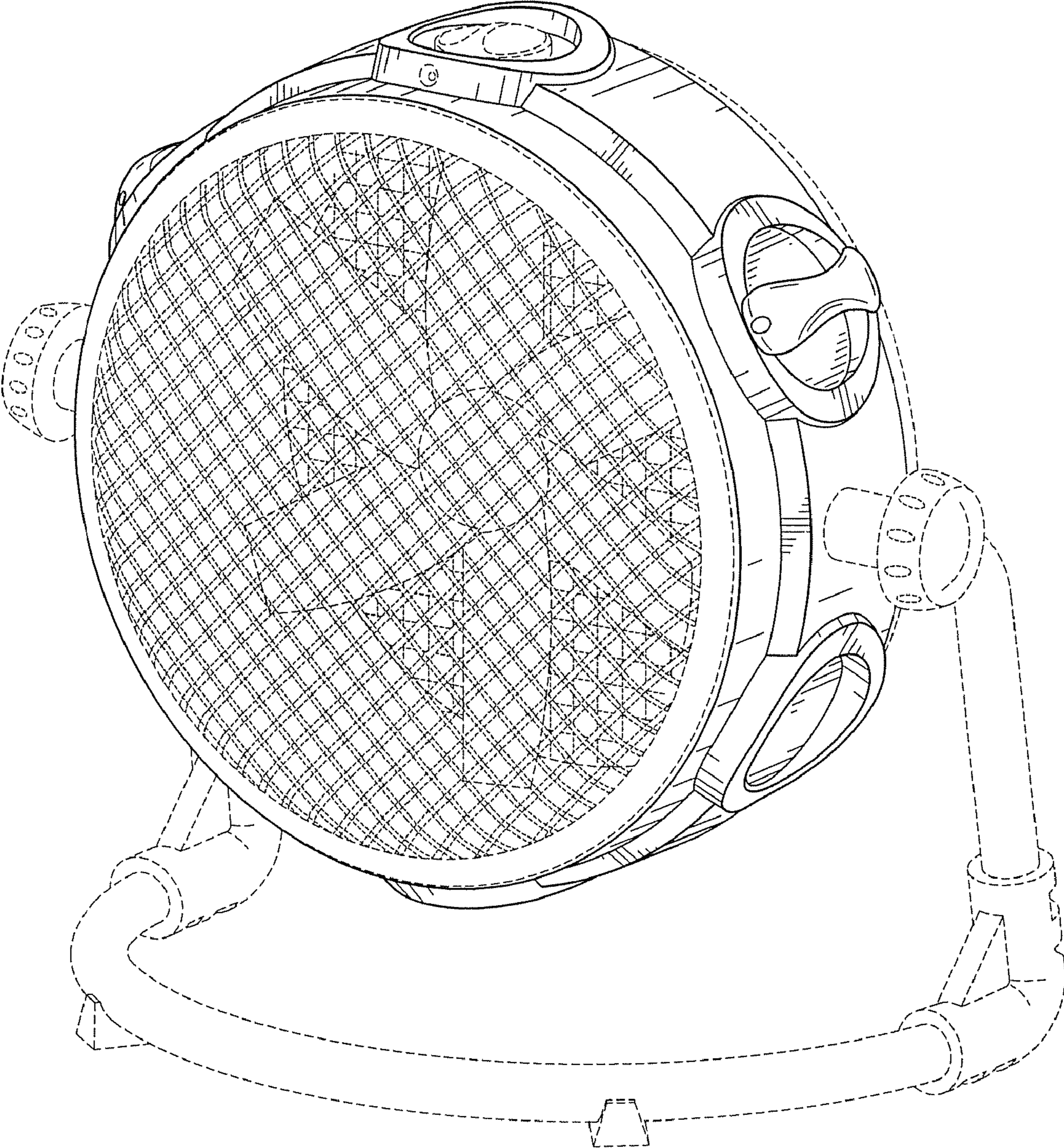


Fig. 1

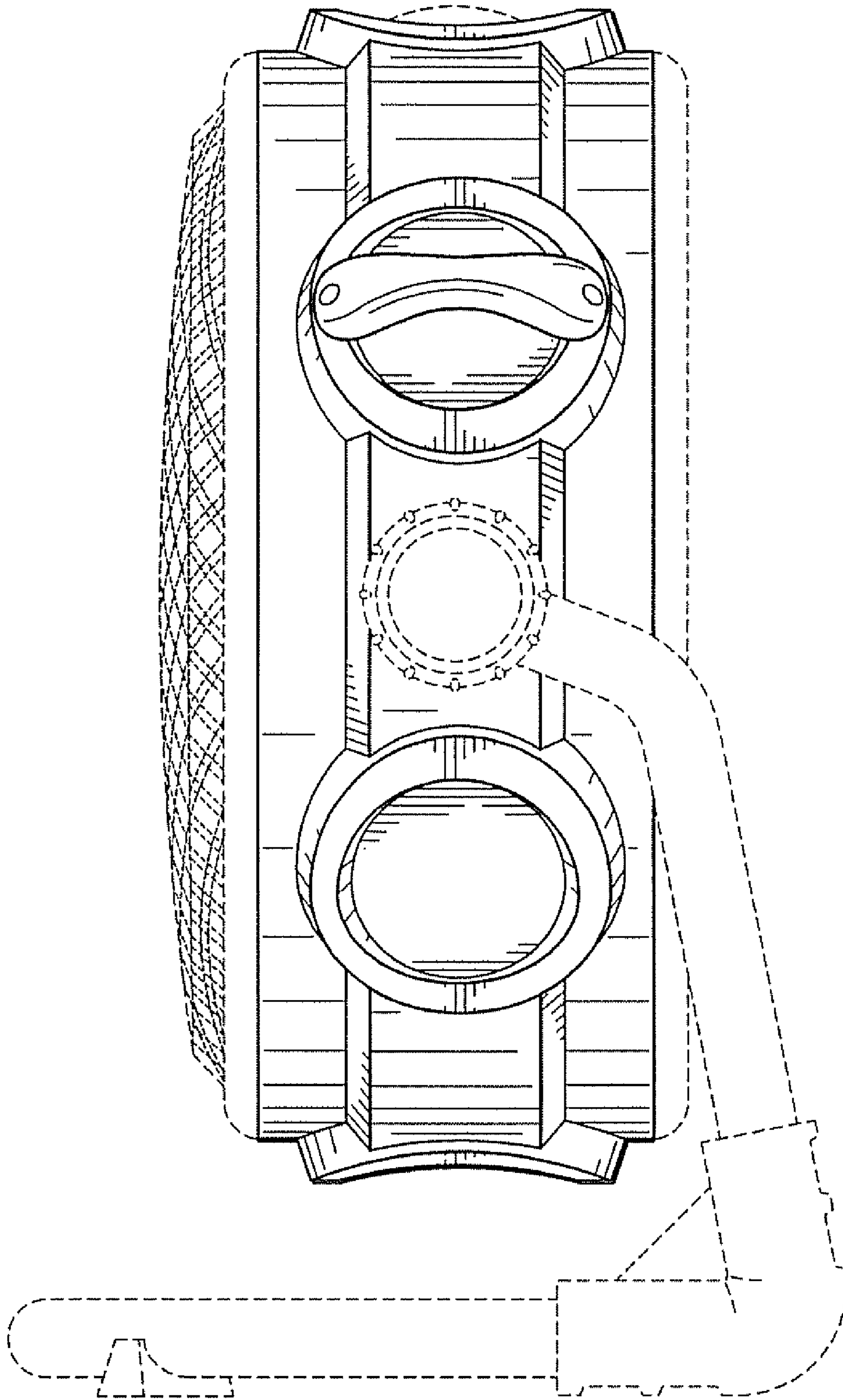


Fig. 2

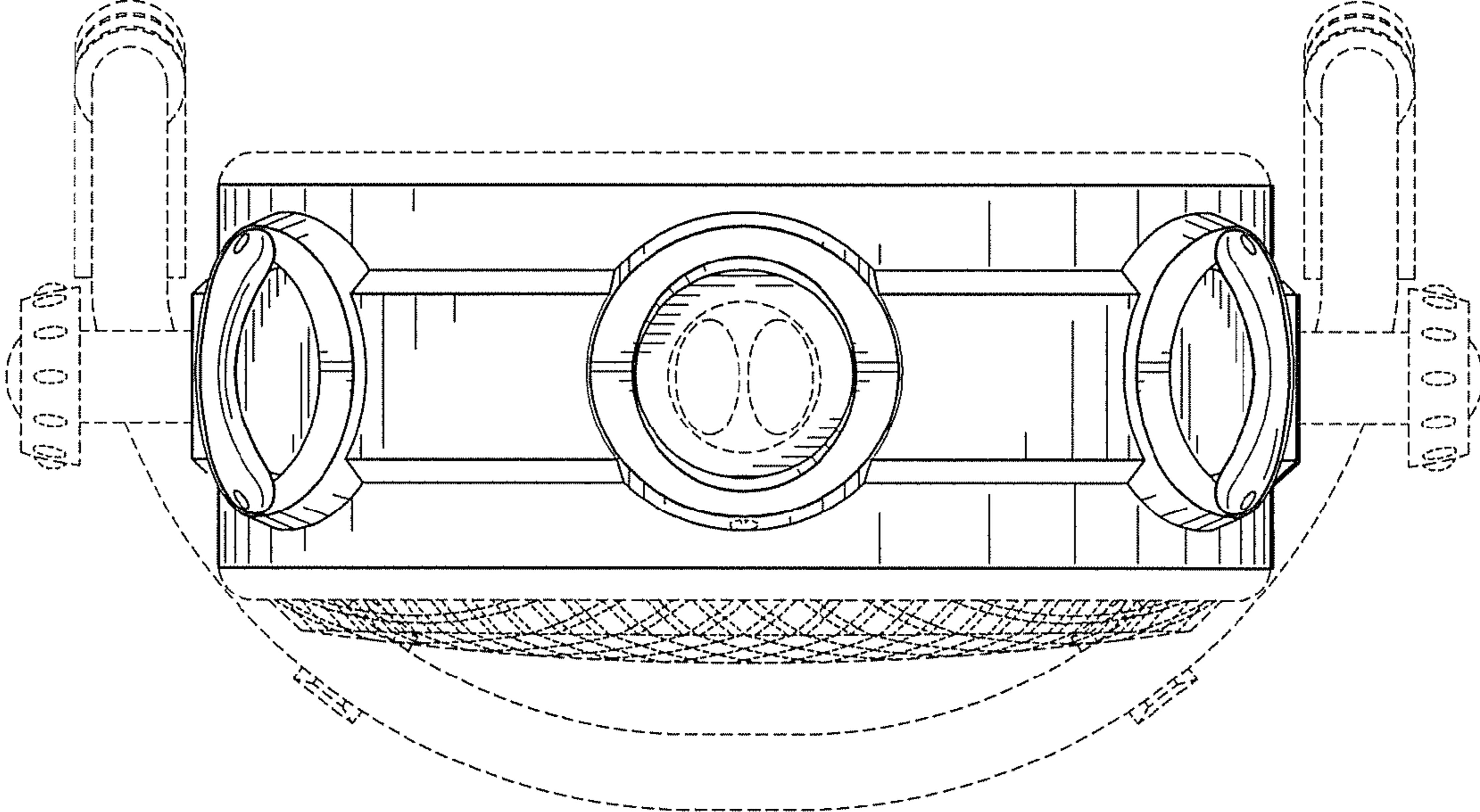


Fig. 3