

US00D594542S

(12) **United States Design Patent**  
**Pan**

(10) **Patent No.:** **US D594,542 S**

(45) **Date of Patent:** **\*\* Jun. 16, 2009**

(54) **COMBINED CEILING FAN AND LIGHT KIT**

*Primary Examiner*—Lisa P Lichtenstein

(75) **Inventor:** **Peter Pan**, Tanzih Township, Taichung County (TW)

(74) *Attorney, Agent, or Firm*—Ming Chow; Sinorica, LLC

(73) **Assignee:** **Air Cool Industrial Co., Ltd.**, Taichung County (TW)

(57) **CLAIM**

I claim the ornamental design for a combined ceiling fan and light kit, as shown and described.

(\*\*) **Term:** **14 Years**

(21) **Appl. No.:** **29/331,051**

(22) **Filed:** **Jan. 19, 2009**

(51) **LOC (9) Cl.** ..... **23-04**

(52) **U.S. Cl.** ..... **D23/377**

(58) **Field of Classification Search** ..... D23/377,  
D23/379, 385, 411, 413; 416/5; D26/59,  
D26/51, 81–86, 72

See application file for complete search history.

**DESCRIPTION**

FIG. 1 is a front perspective view of a combined ceiling fan and light kit showing my new design;

FIG. 2 is a front elevational view thereof;

FIG. 3 is a rear elevational view thereof.

FIG. 4 is a left side elevational view thereof;

FIG. 5 is a right side elevational view thereof;

FIG. 6 is a top plan view thereof; and,

FIG. 7 is a bottom plan view thereof.

The broken line showing of portions of the combined ceiling fan and light kit is included for the purpose of illustrating environmental structure and forms no part of the claimed design.

(56) **References Cited**

**U.S. PATENT DOCUMENTS**

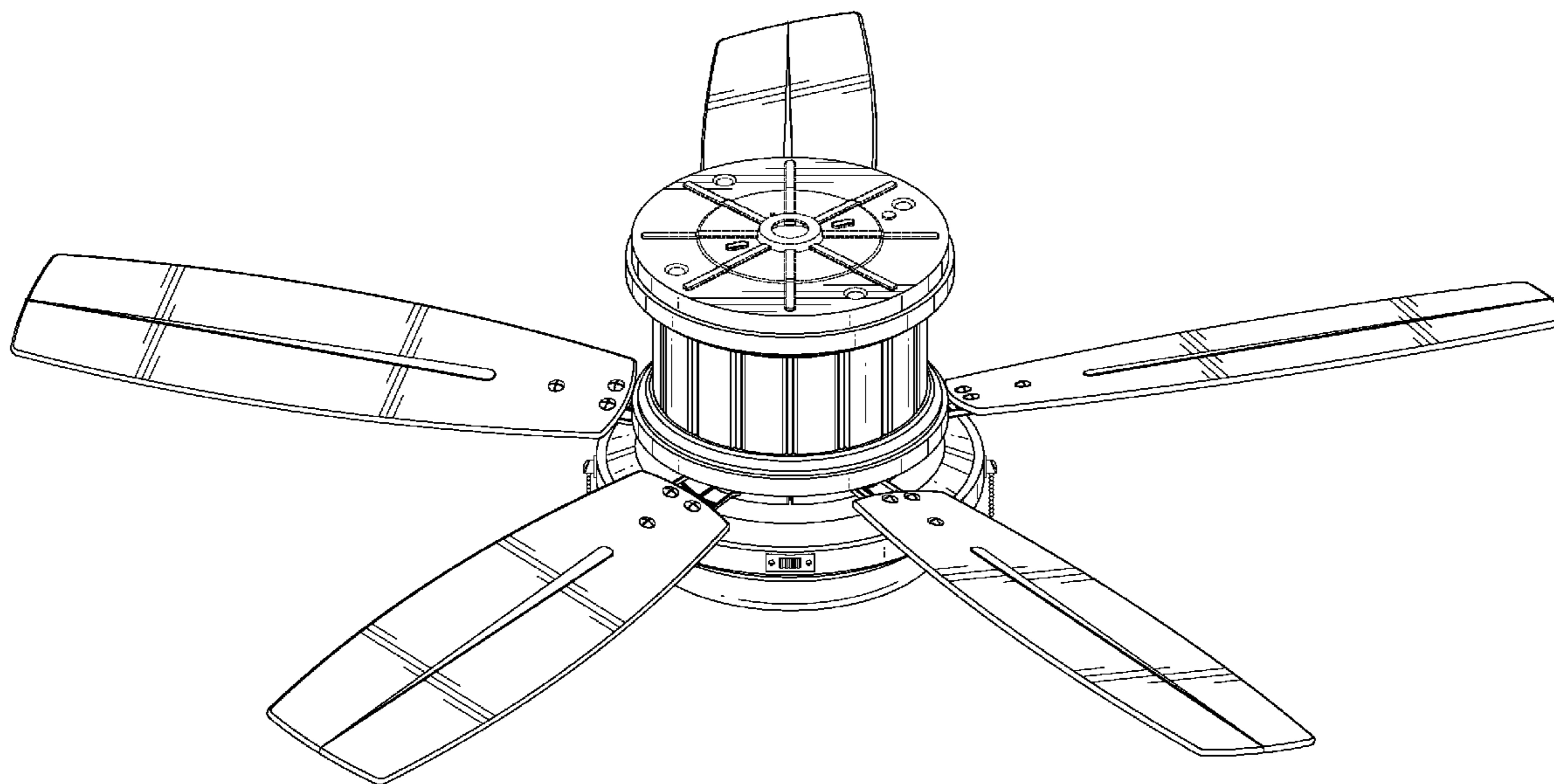
D406,332 S \* 3/1999 Liu ..... D23/411

D520,633 S \* 5/2006 Tai ..... D23/411

D553,239 S \* 10/2007 Wang ..... D23/411

\* cited by examiner

**1 Claim, 5 Drawing Sheets**



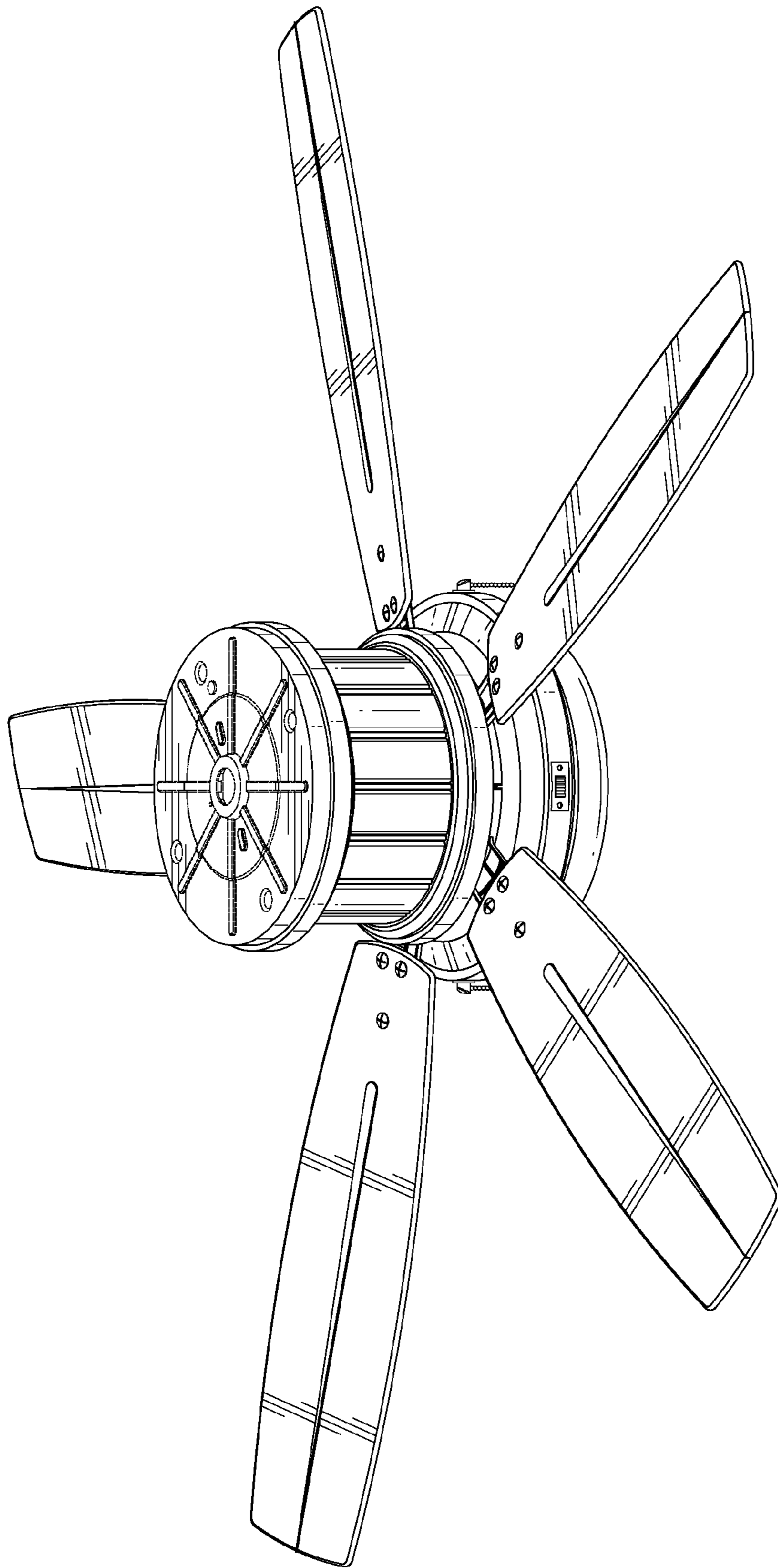


FIG. 1

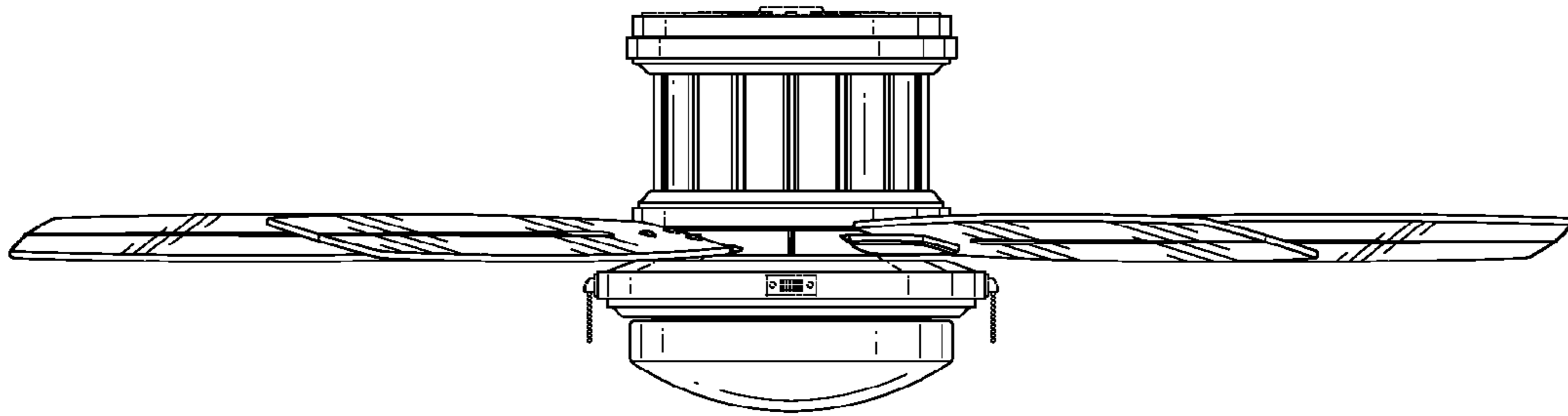


FIG. 2

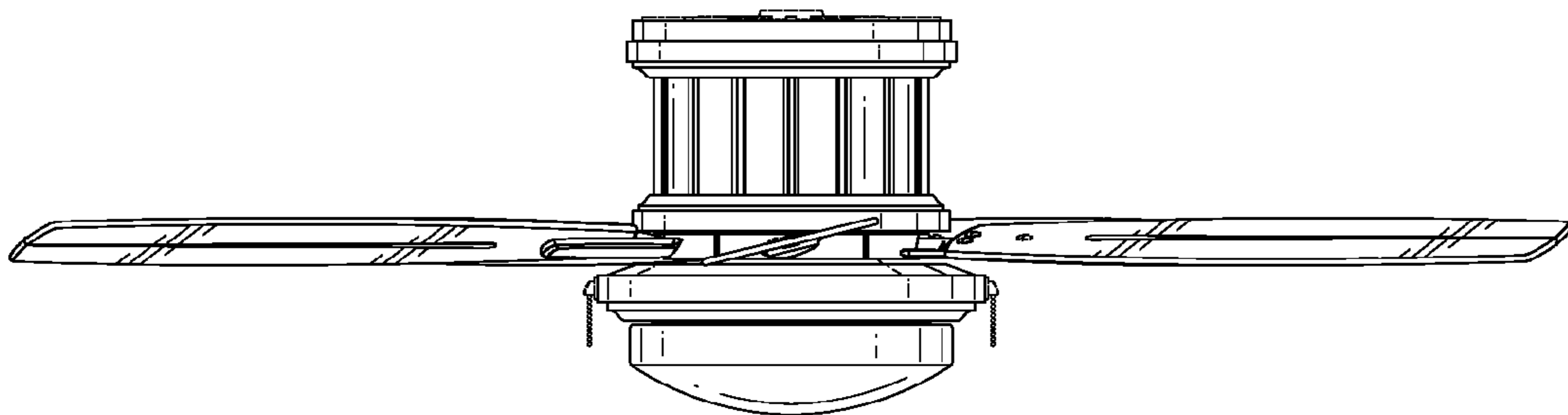


FIG. 3

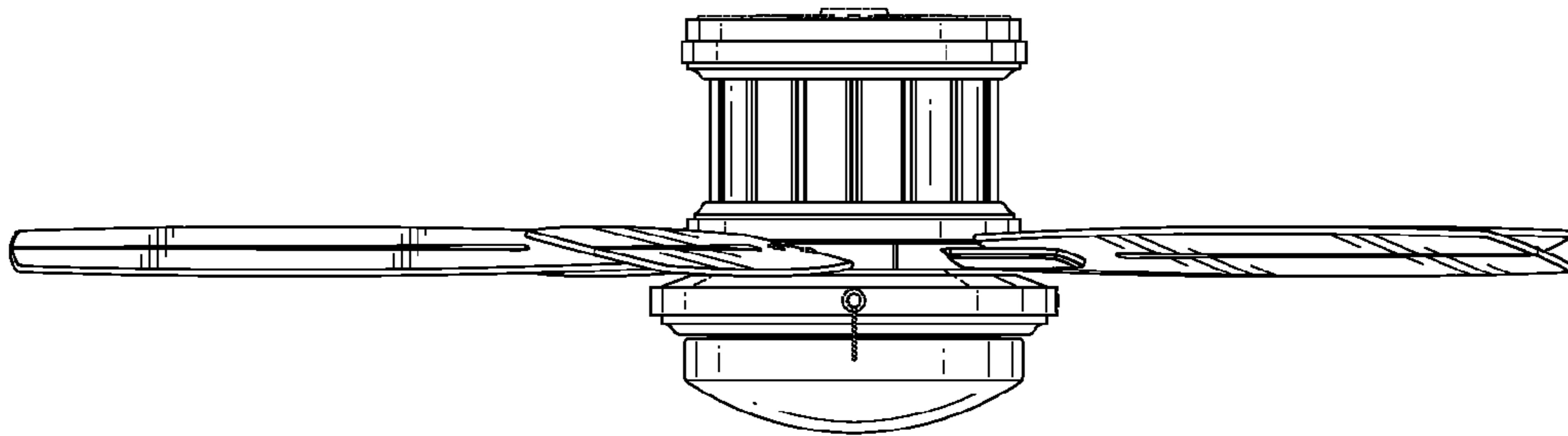


FIG. 4

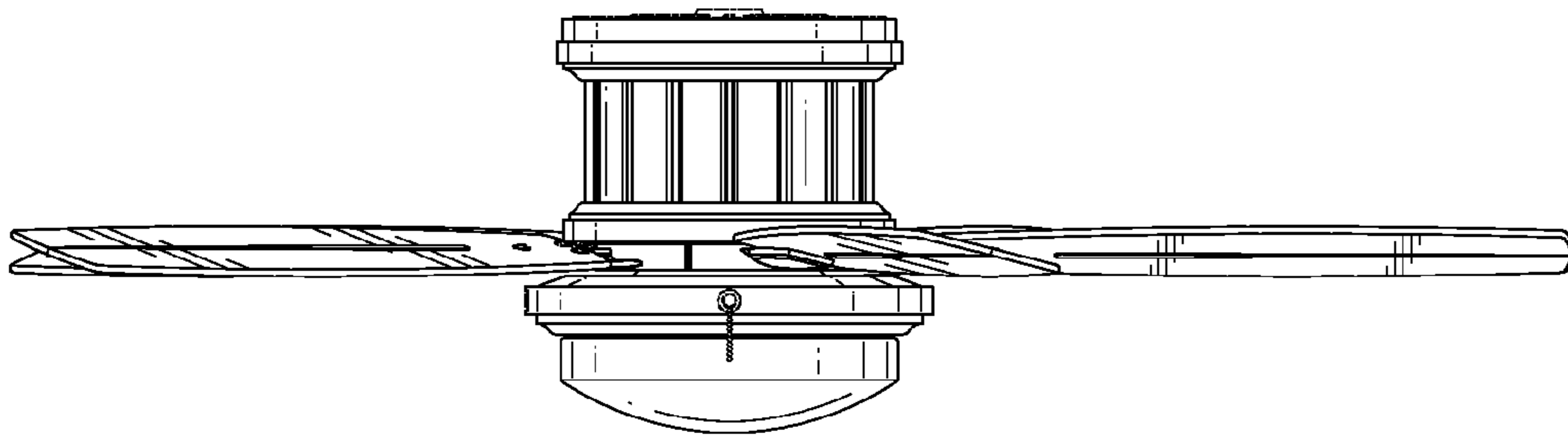


FIG. 5

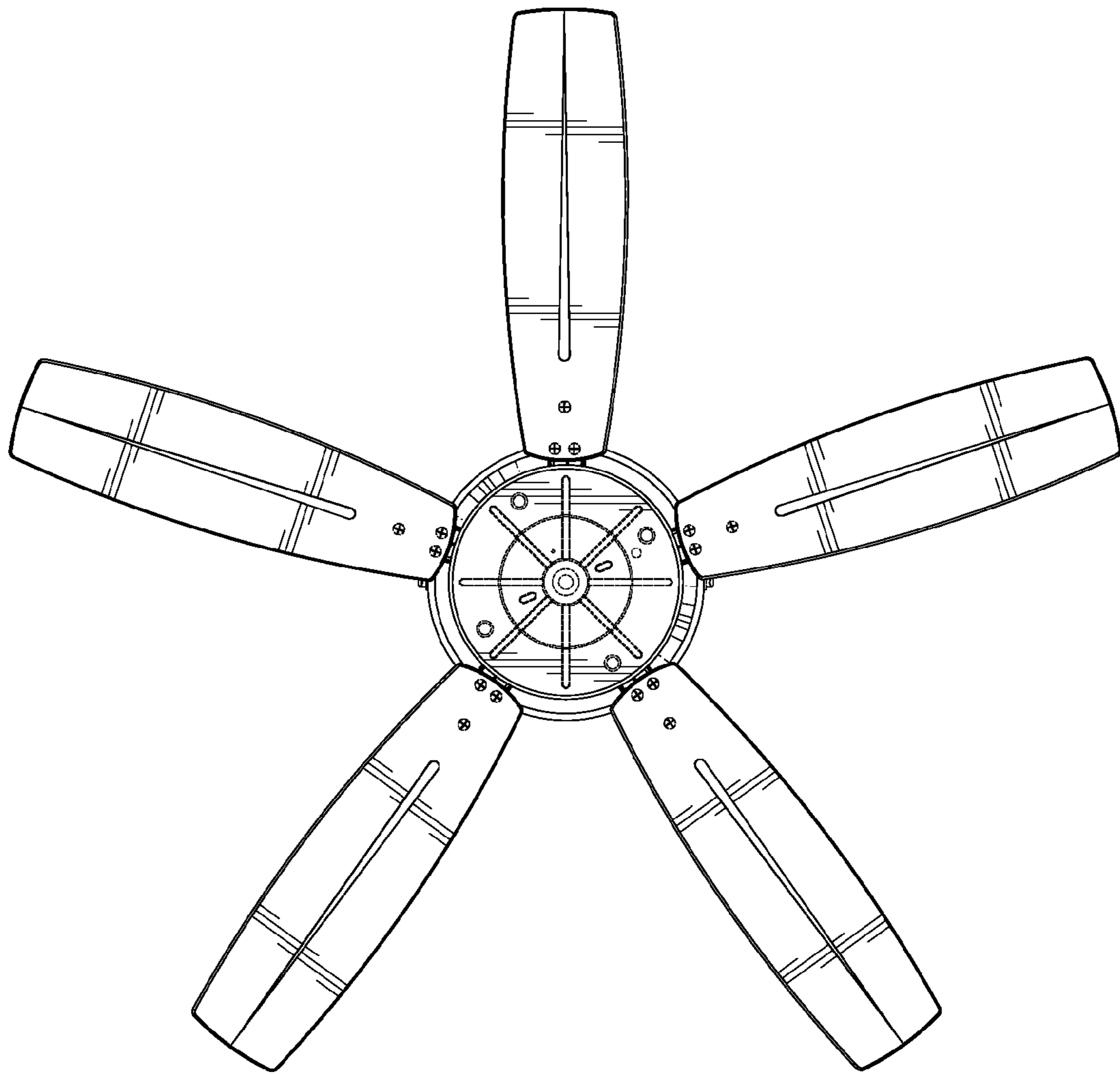


FIG. 6

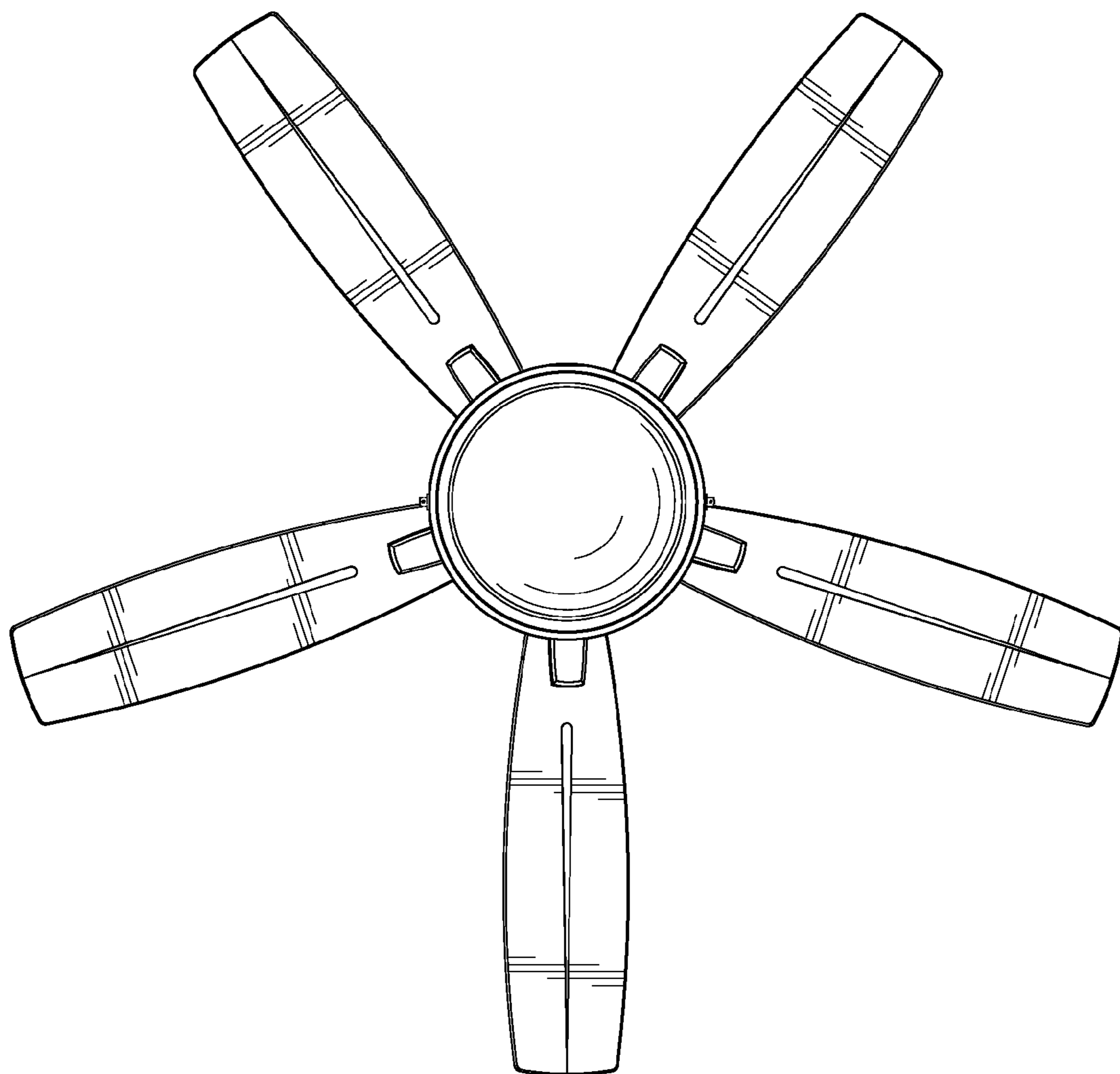


FIG. 7