



US00D594541S

(12) **United States Design Patent**
Pan

(10) **Patent No.:** **US D594,541 S**

(45) **Date of Patent:** **** Jun. 16, 2009**

(54) **COMBINED CEILING FAN AND LIGHT KIT**

Primary Examiner—Lisa P Lichtenstein

(75) **Inventor:** **Peter Pan**, Tanzih Township, Taichung County (TW)

(74) *Attorney, Agent, or Firm*—Ming Chow; Sinorica, LLC

(73) **Assignee:** **Air Cool Industrial Co., Ltd.**, Taichung County (TW)

(57) **CLAIM**

I claim the ornamental design for a combined ceiling fan and light kit, as shown and described.

(**) **Term:** **14 Years**

DESCRIPTION

(21) **Appl. No.:** **29/331,049**

FIG. 1 is a front perspective view of a combined ceiling fan and light kit showing my new design;

(22) **Filed:** **Jan. 19, 2009**

FIG. 2 is a front elevational view thereof;

(51) **LOC (9) Cl.** **23-04**

FIG. 3 is a rear elevational view thereof.

(52) **U.S. Cl.** **D23/377**

FIG. 4 is a left side elevational view thereof;

(58) **Field of Classification Search** D23/377,
D23/379, 385, 411, 413; 416/5
See application file for complete search history.

FIG. 5 is a right side elevational view thereof;

FIG. 6 is a top plan view thereof; and,

FIG. 7 is a bottom plan view thereof.

(56) **References Cited**

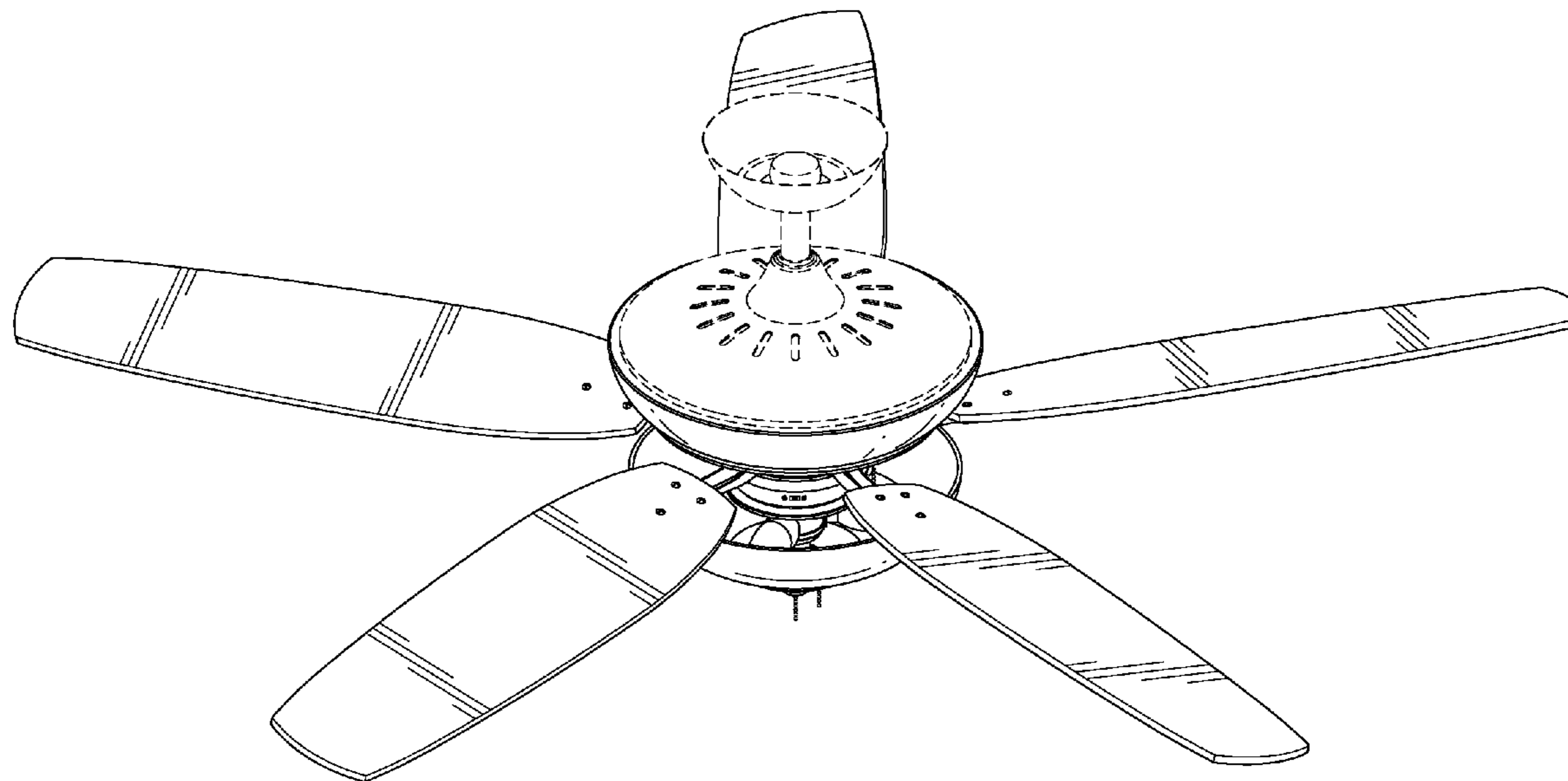
The broken line showing of portions of the combined ceiling fan and light kit is included for the purpose of illustrating environmental structure and forms no part of the claimed design.

U.S. PATENT DOCUMENTS

D418,914 S	*	1/2000	Zuege	D23/411
D576,265 S	*	9/2008	Bucher et al.	D23/377
D586,452 S	*	2/2009	Orozco	D23/377

* cited by examiner

1 Claim, 5 Drawing Sheets



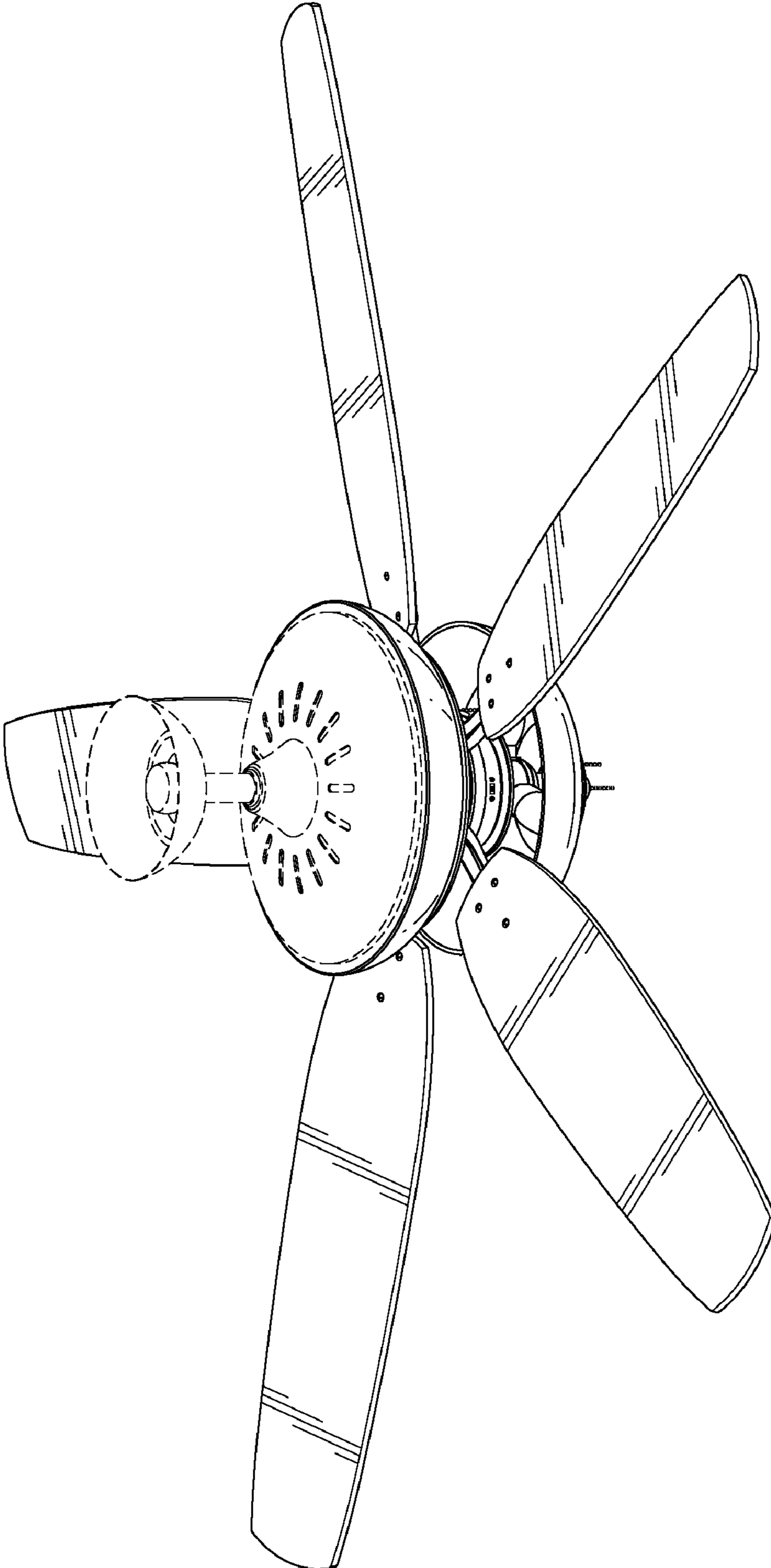


FIG. 1

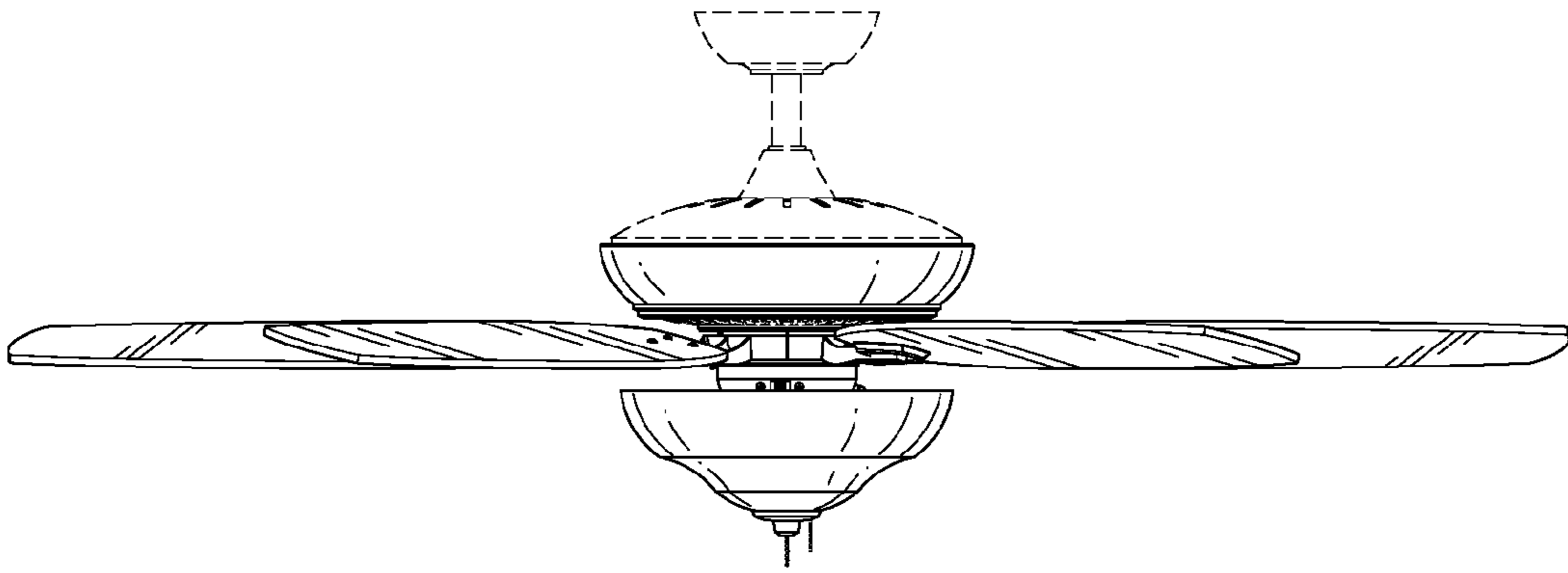


FIG. 2

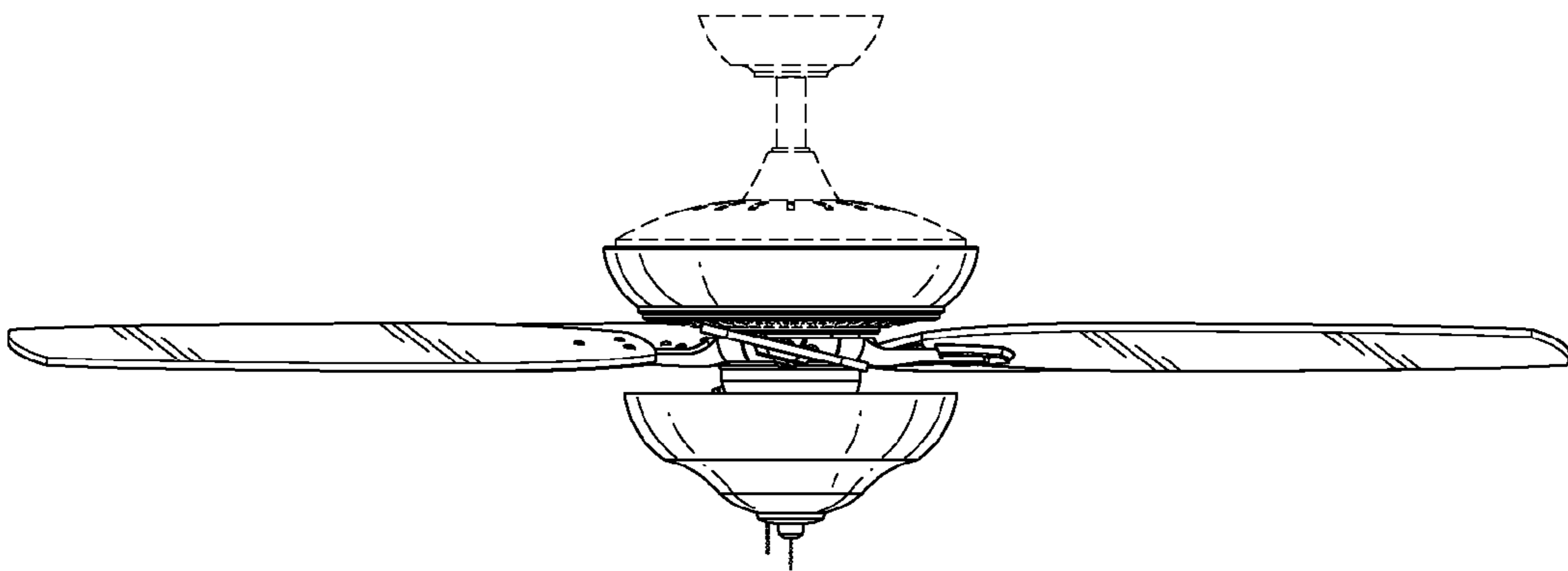


FIG. 3

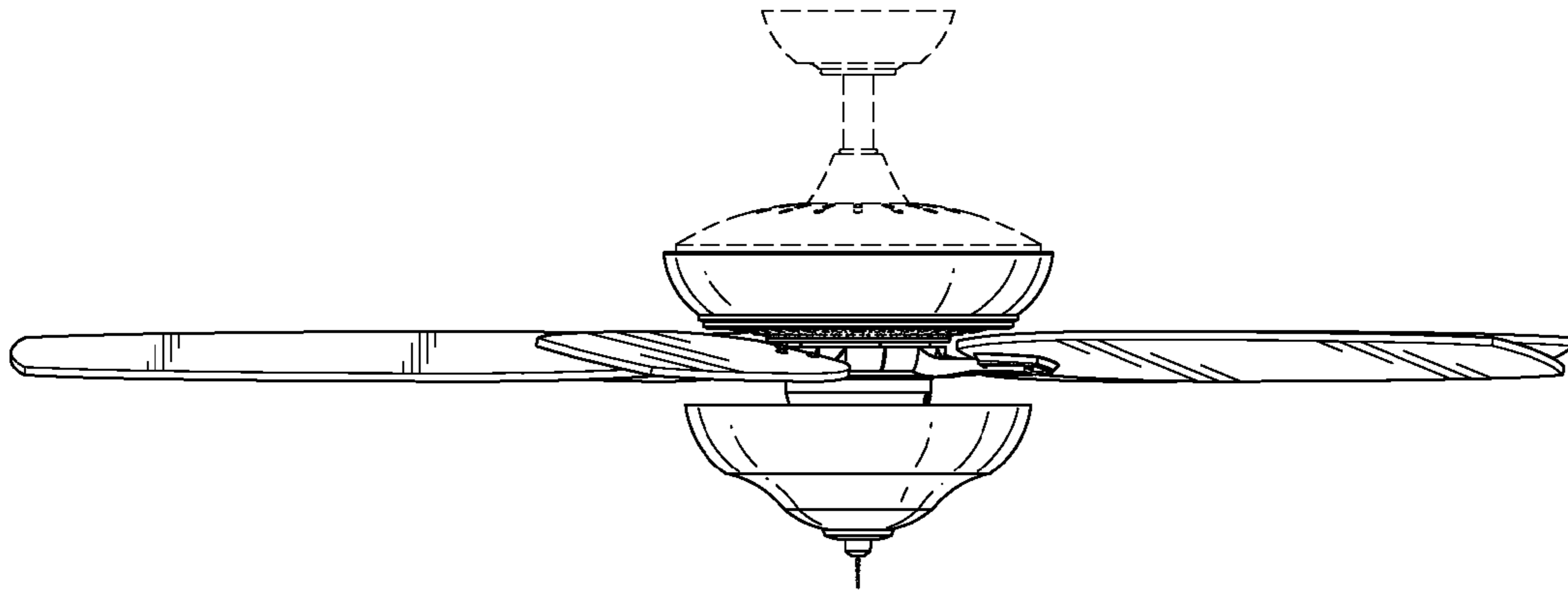


FIG. 4

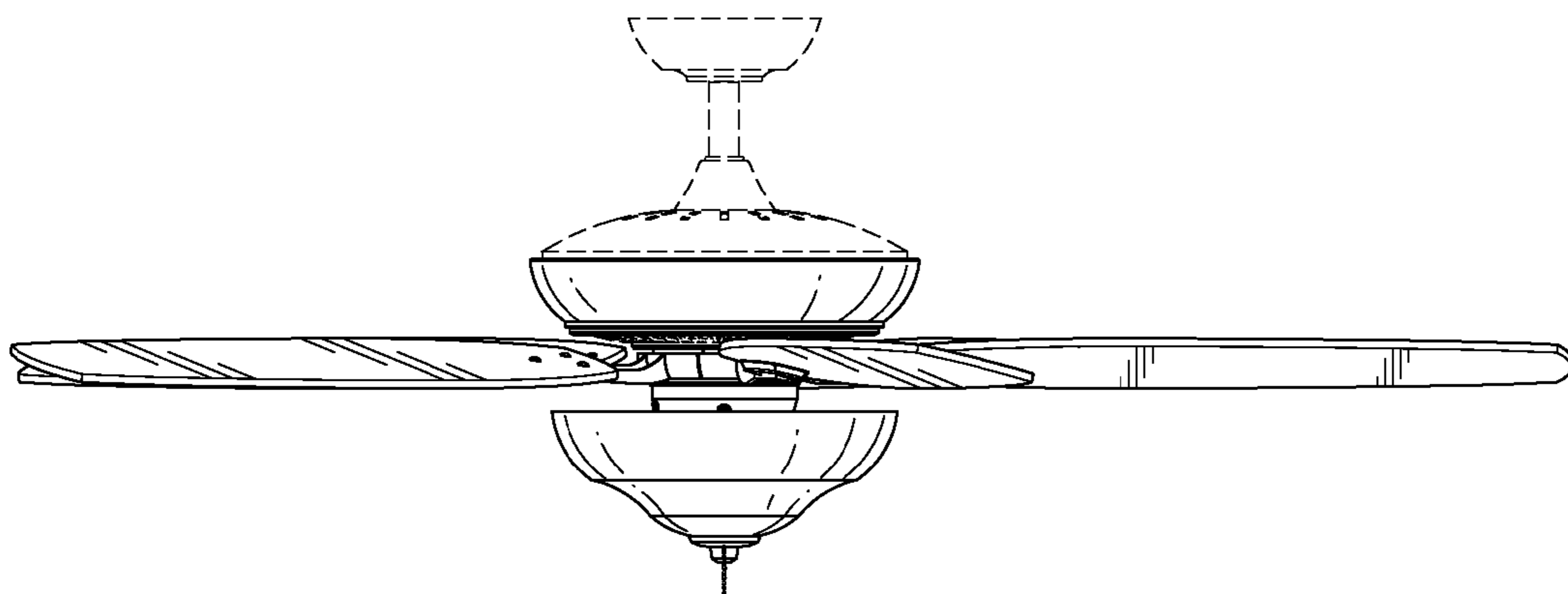


FIG. 5

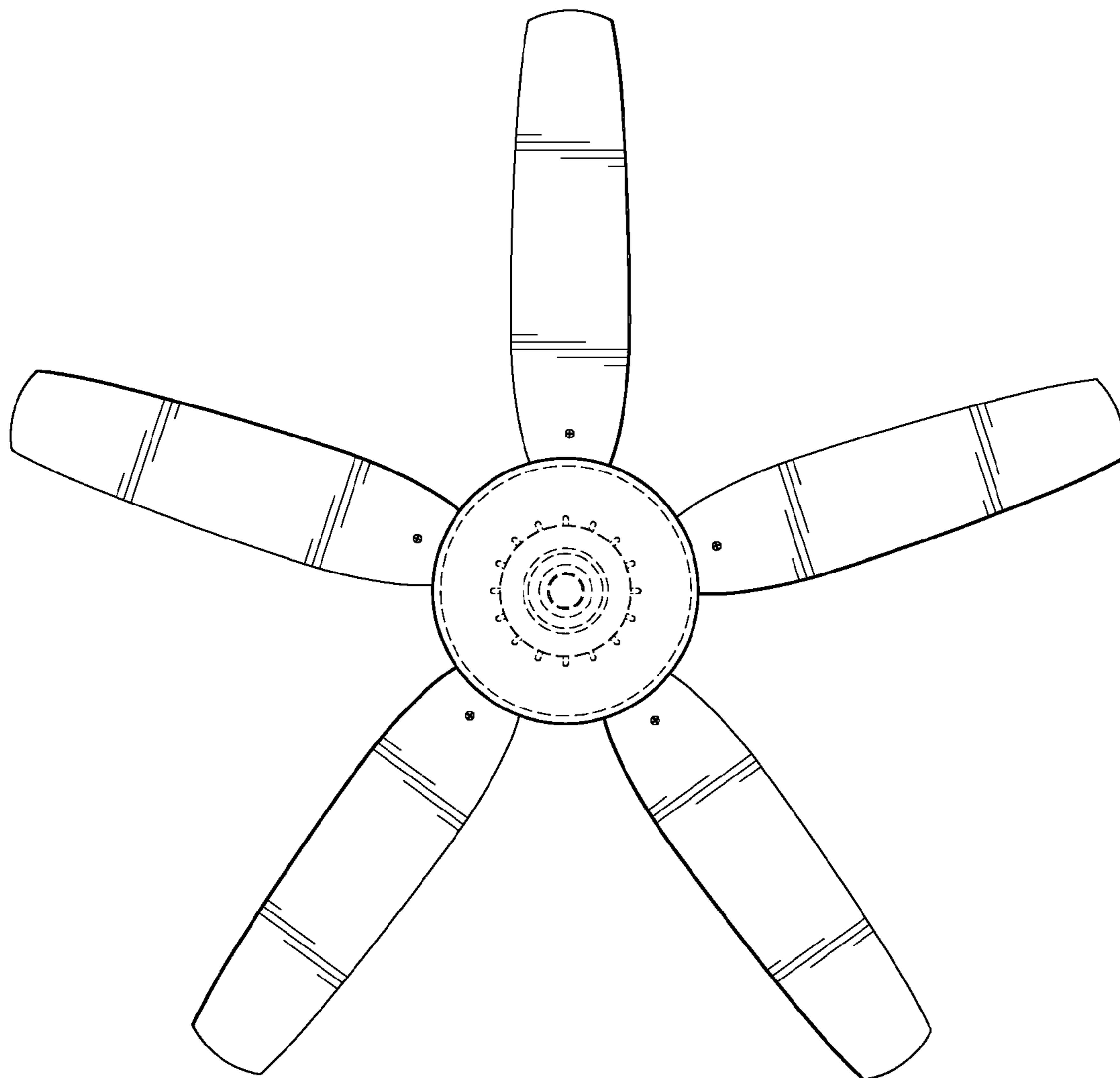


FIG. 6

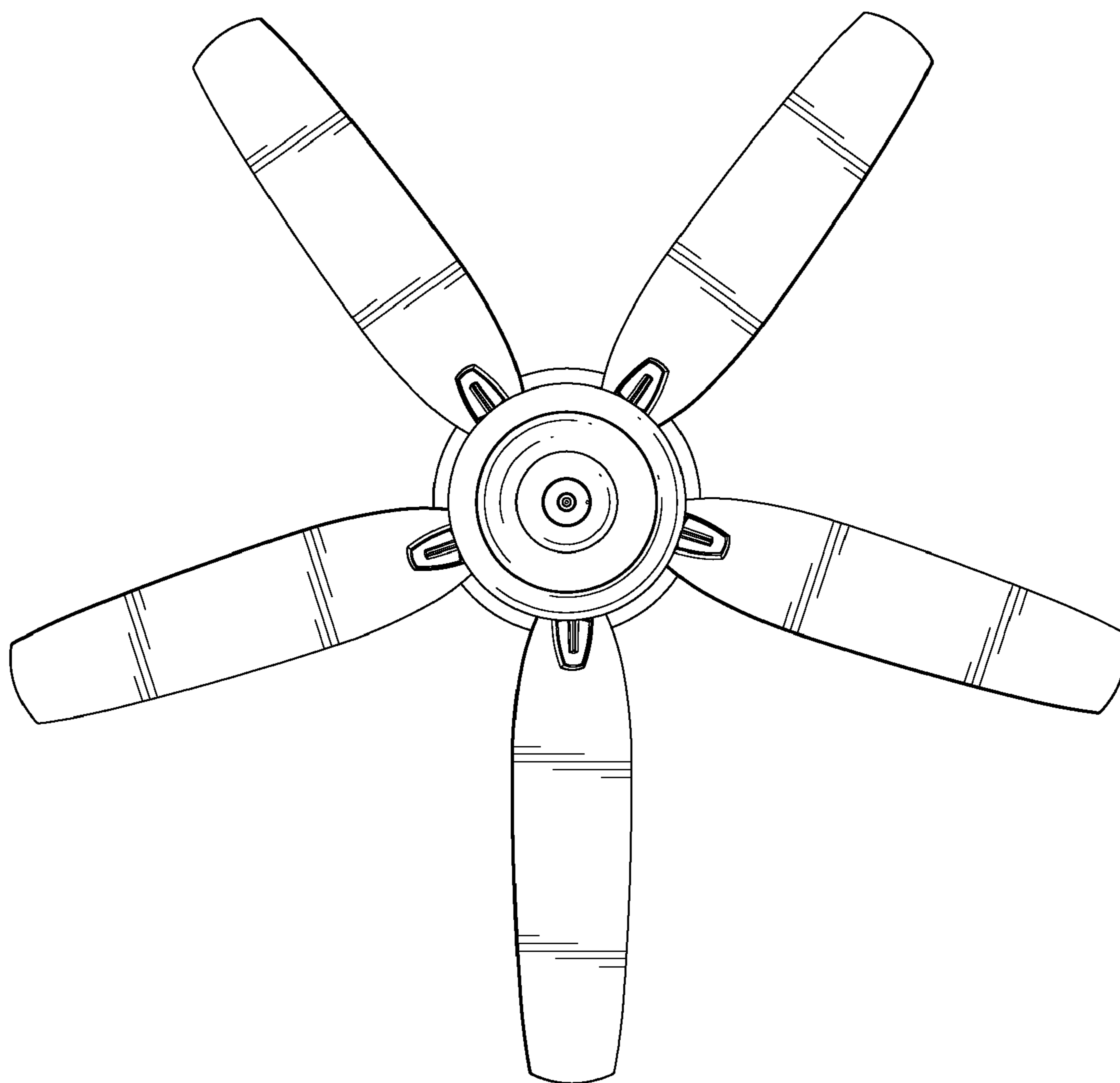


FIG. 7