



US00D594540S

(12) **United States Design Patent**
Pan

(10) **Patent No.:** **US D594,540 S**

(45) **Date of Patent:** **** Jun. 16, 2009**

(54) **COMBINED CEILING FAN AND LIGHT KIT**

D581,512 S * 11/2008 Hidalgo D23/411

(75) Inventor: **Peter Pan**, Tansih Township, Taichung County (TW)

* cited by examiner

Primary Examiner—Lisa P Lichtenstein

(73) Assignee: **Air Cool Industrial Co., Ltd.**, Taichung County (TW)

(74) *Attorney, Agent, or Firm*—Ming Chow; Sinorica, LLC

(**) Term: **14 Years**

(57) **CLAIM**

(21) Appl. No.: **29/331,048**

I claim the ornamental design for a combined ceiling fan and light kit, as shown and described.

(22) Filed: **Jan. 19, 2009**

DESCRIPTION

(51) **LOC (9) Cl.** **23-04**

FIG. 1 is a front perspective view of a combined ceiling fan and light kit showing my new design;

(52) **U.S. Cl.** **D23/377**

FIG. 2 is a front elevational view thereof;

(58) **Field of Classification Search** D23/377,

FIG. 3 is a rear elevational view thereof.

D23/379, 385, 411, 413; 416/5

FIG. 4 is a left side elevational view thereof;

See application file for complete search history.

FIG. 5 is a right side elevational view thereof;

(56) **References Cited**

FIG. 6 is a top plan view thereof; and,

U.S. PATENT DOCUMENTS

FIG. 7 is a bottom plan view thereof.

D345,206 S * 3/1994 DiPasquale D23/411

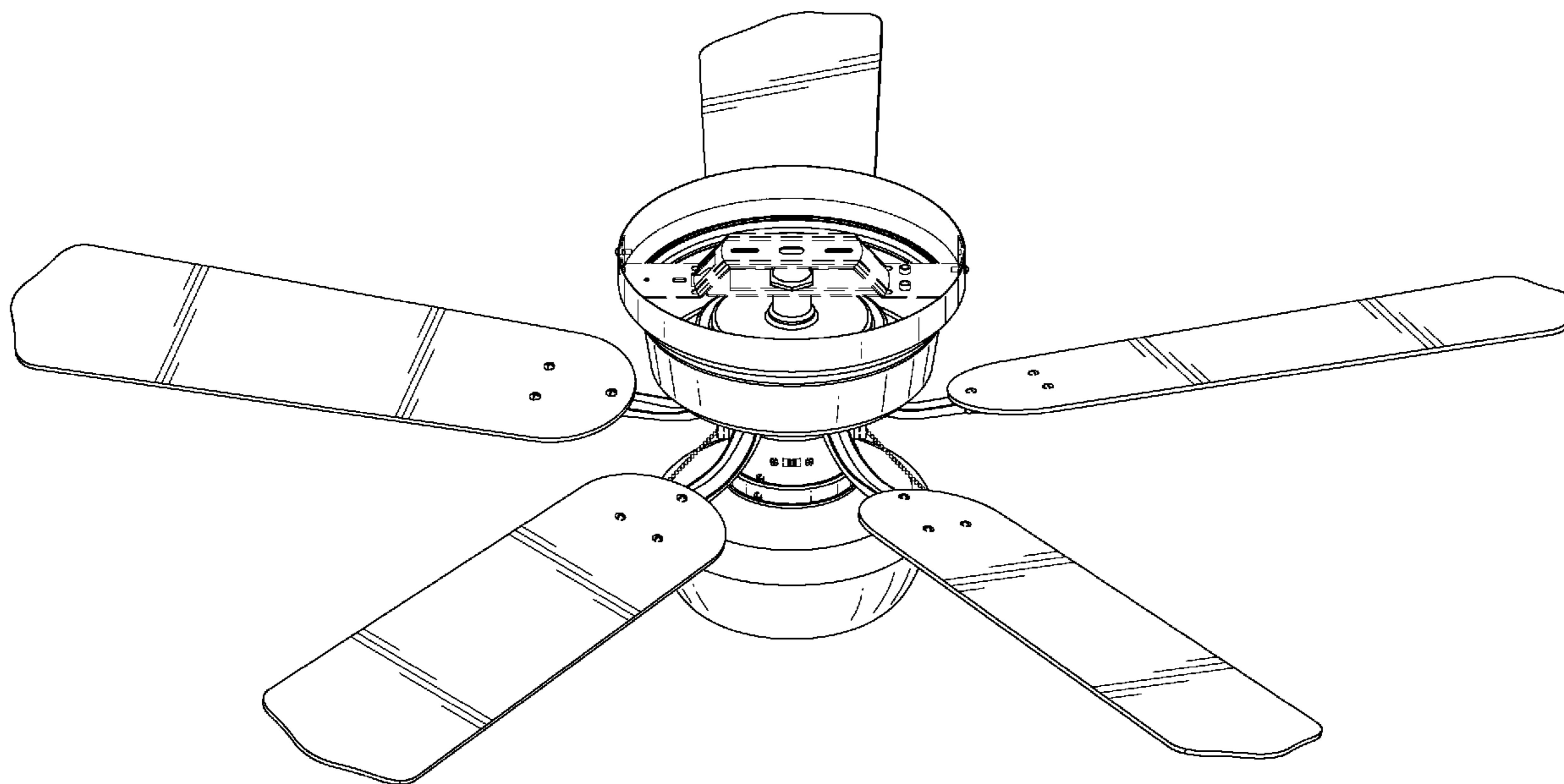
The broken line showing of portions of the combined ceiling fan and light kit is included for the purpose of illustrating environmental structure and forms no part of the claimed design.

D378,403 S * 3/1997 Jaspers-Fayer D23/377

D533,654 S * 12/2006 Burns D23/411

1 Claim, 5 Drawing Sheets

D534,268 S * 12/2006 Young D23/377



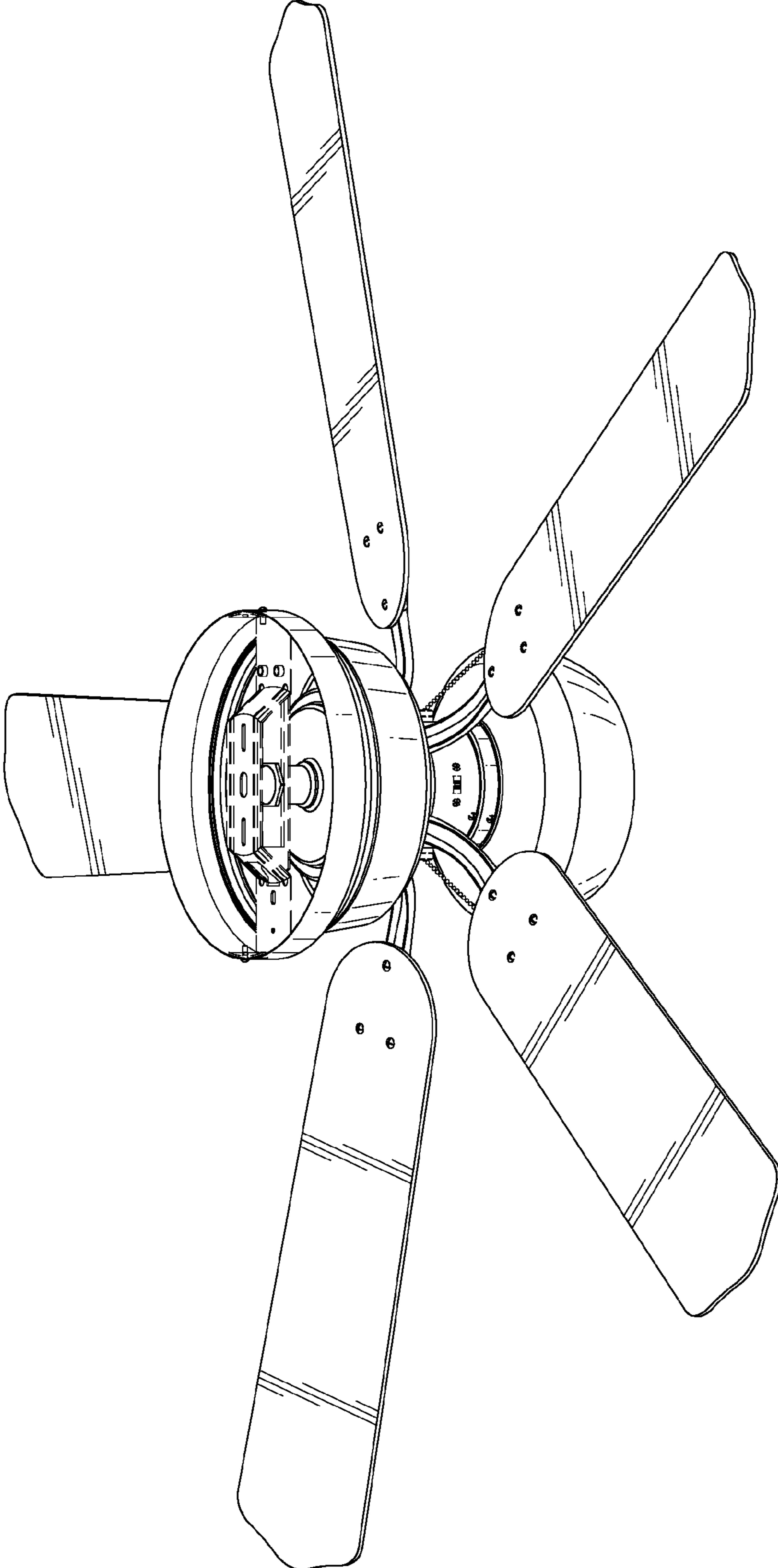


FIG. 1

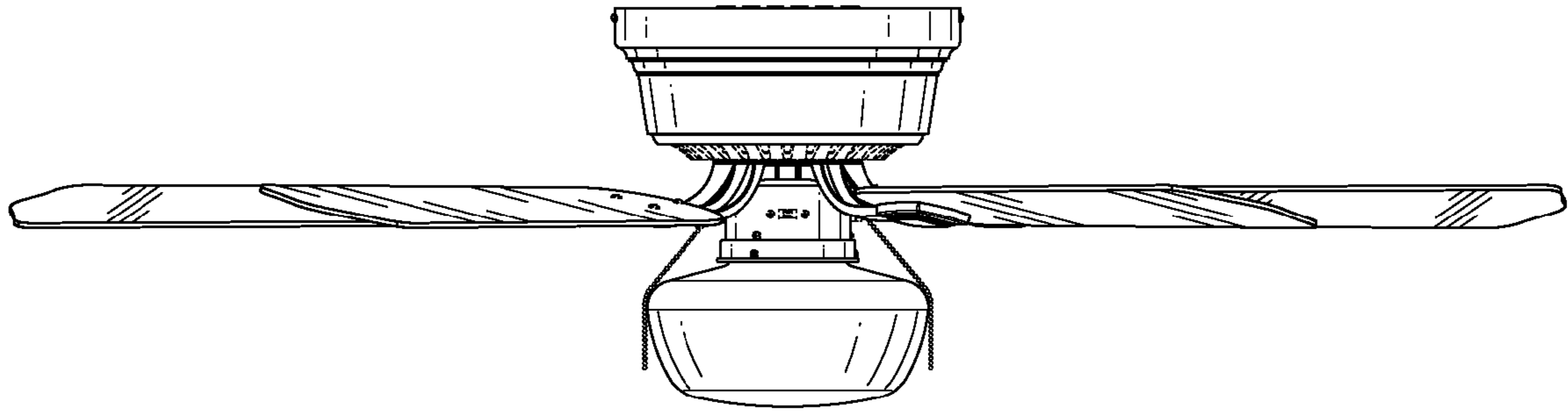


FIG. 2

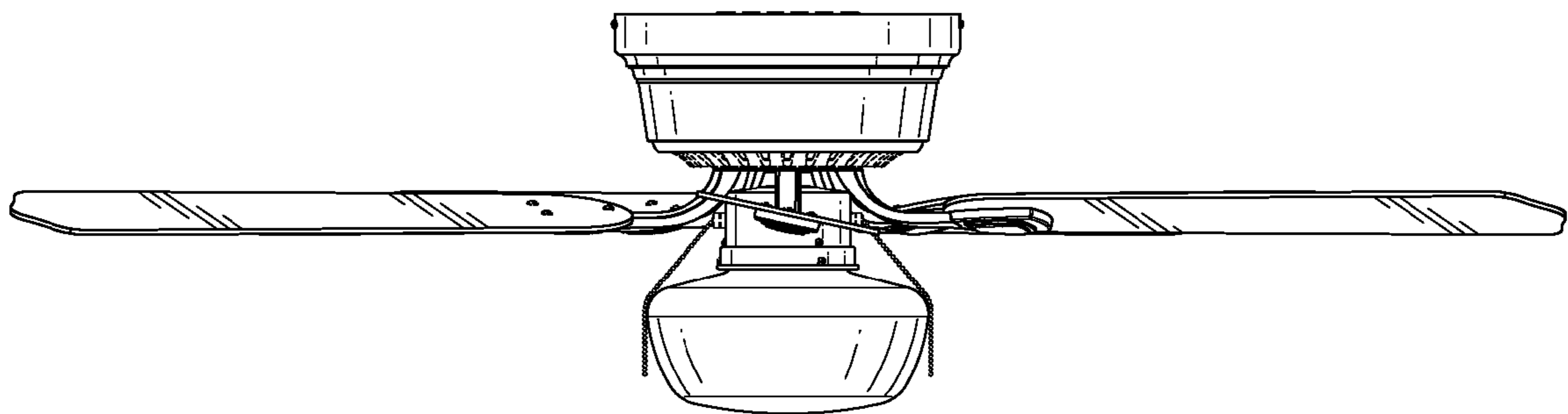


FIG. 3

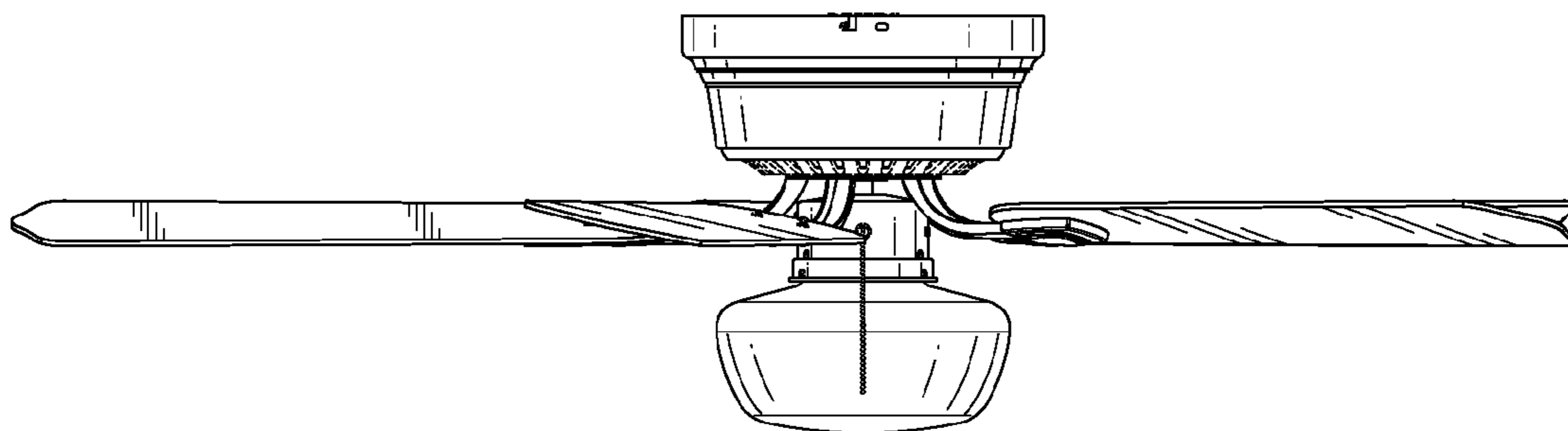


FIG. 4

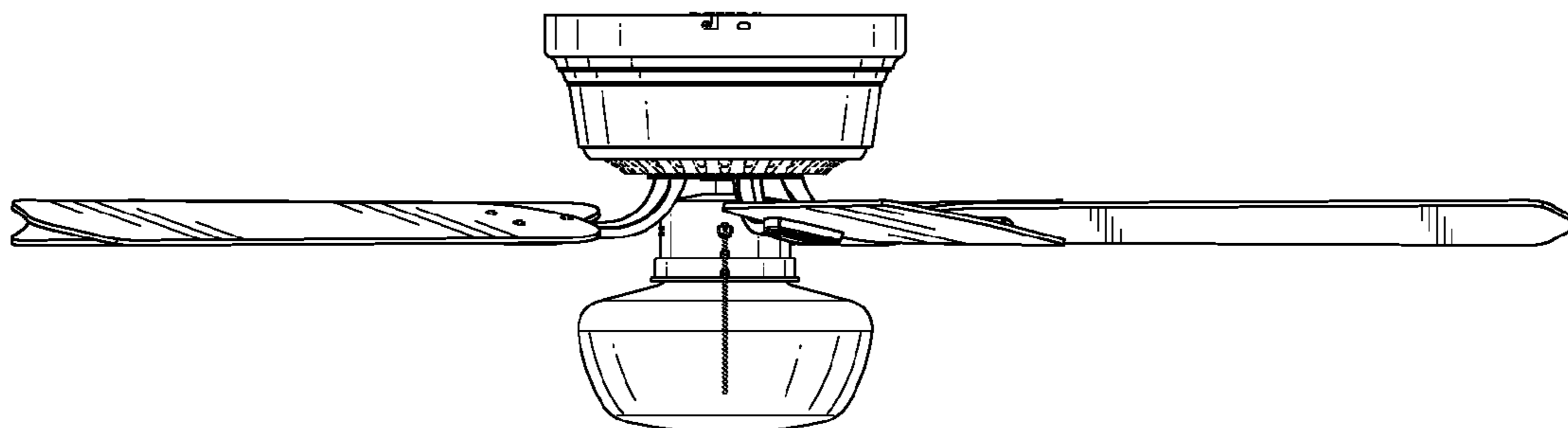


FIG. 5

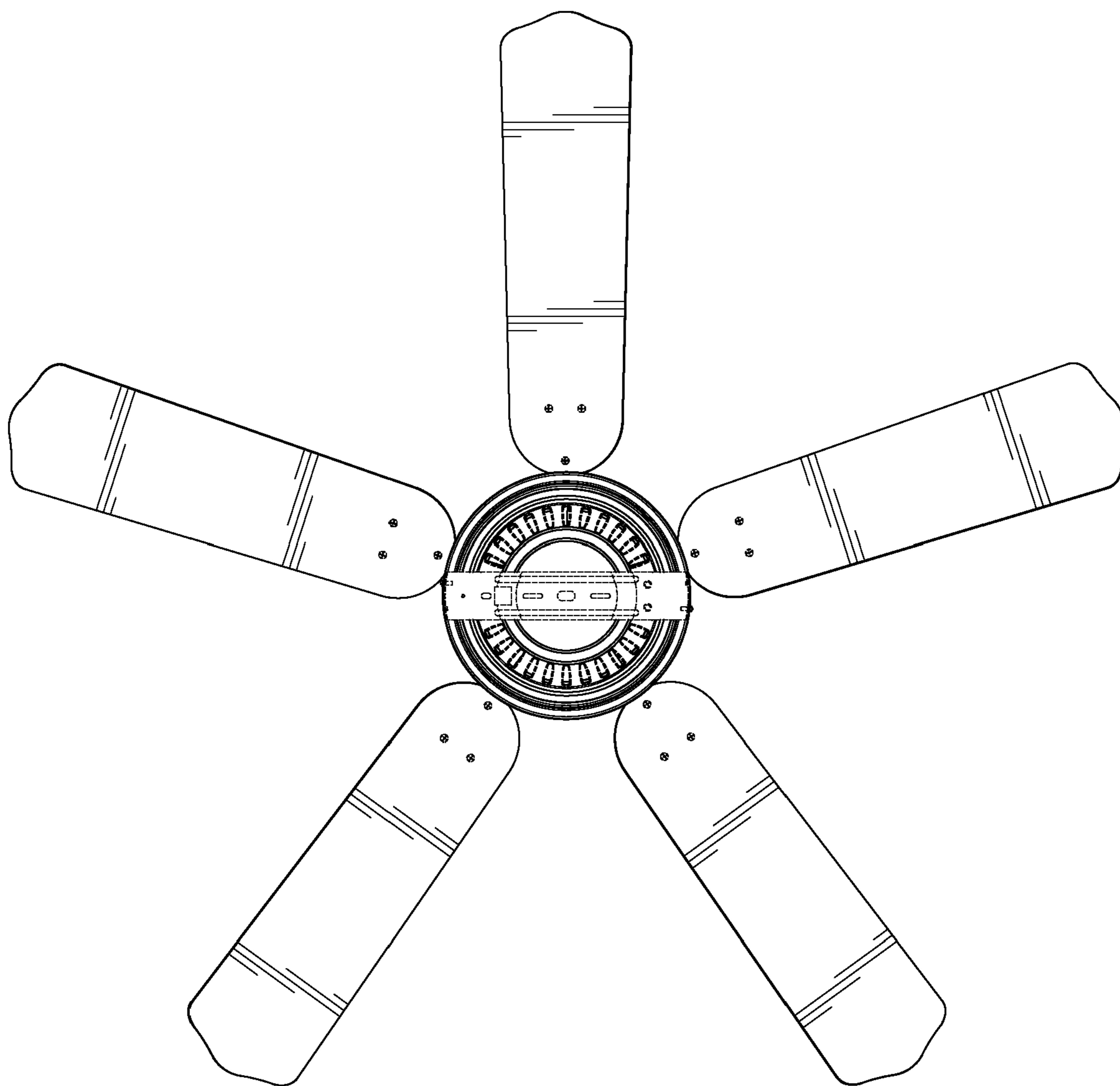


FIG. 6

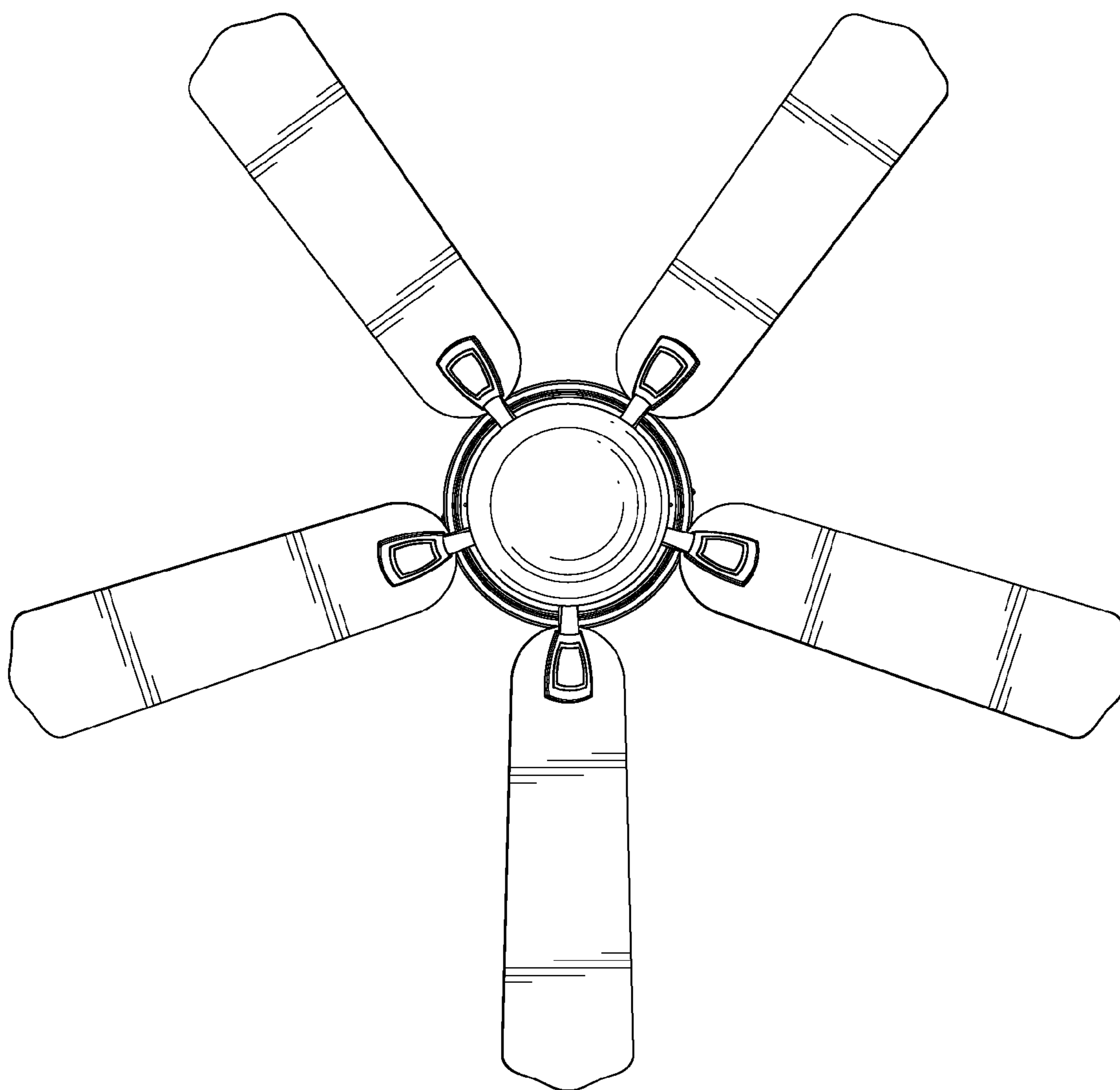


FIG. 7