



US00D594538S

(12) **United States Design Patent**  
**Tsuji**

(10) **Patent No.:** **US D594,538 S**

(45) **Date of Patent:** **\*\* Jun. 16, 2009**

(54) **AIR CONDITIONER**

D502,255 S \* 2/2005 Kim ..... D23/351  
D557,393 S \* 12/2007 Yoo et al. .... D23/351

(75) Inventor: **Kaichi Tsuji**, Kusatsu (JP)

(73) Assignee: **Daikin Industries Ltd.**, Osaka-Shi,  
Osaka (JP)

(\*\*) Term: **14 Years**

(21) Appl. No.: **29/311,184**

(22) Filed: **Jan. 13, 2009**

(30) **Foreign Application Priority Data**

Nov. 4, 2008 (JP) ..... 2008-028296

(51) **LOC (9) Cl.** ..... **23-03**

(52) **U.S. Cl.** ..... **D23/351**

(58) **Field of Classification Search** ..... D23/351-354;  
312/236; 62/259.1, 259.4, 262-263, 304;  
454/330-331, 349-350

See application file for complete search history.

(56) **References Cited**

**U.S. PATENT DOCUMENTS**

D484,961 S \* 1/2004 Giugiaro ..... D23/351

\* cited by examiner

*Primary Examiner*—Brian N Vinson

(74) *Attorney, Agent, or Firm*—Manabu Kanesaka

(57) **CLAIM**

The ornamental design for an air conditioner, as shown and described.

**DESCRIPTION**

FIG. 1 is a perspective view of an air conditioner showing my new design;

FIG. 2 is a front view thereof, a rear view being symmetrical to the front view;

FIG. 3 is a plan view thereof;

FIG. 4 is a bottom view thereof; and,

FIG. 5 is a right side view thereof, a left side view being symmetrical to the right side view.

**1 Claim, 5 Drawing Sheets**

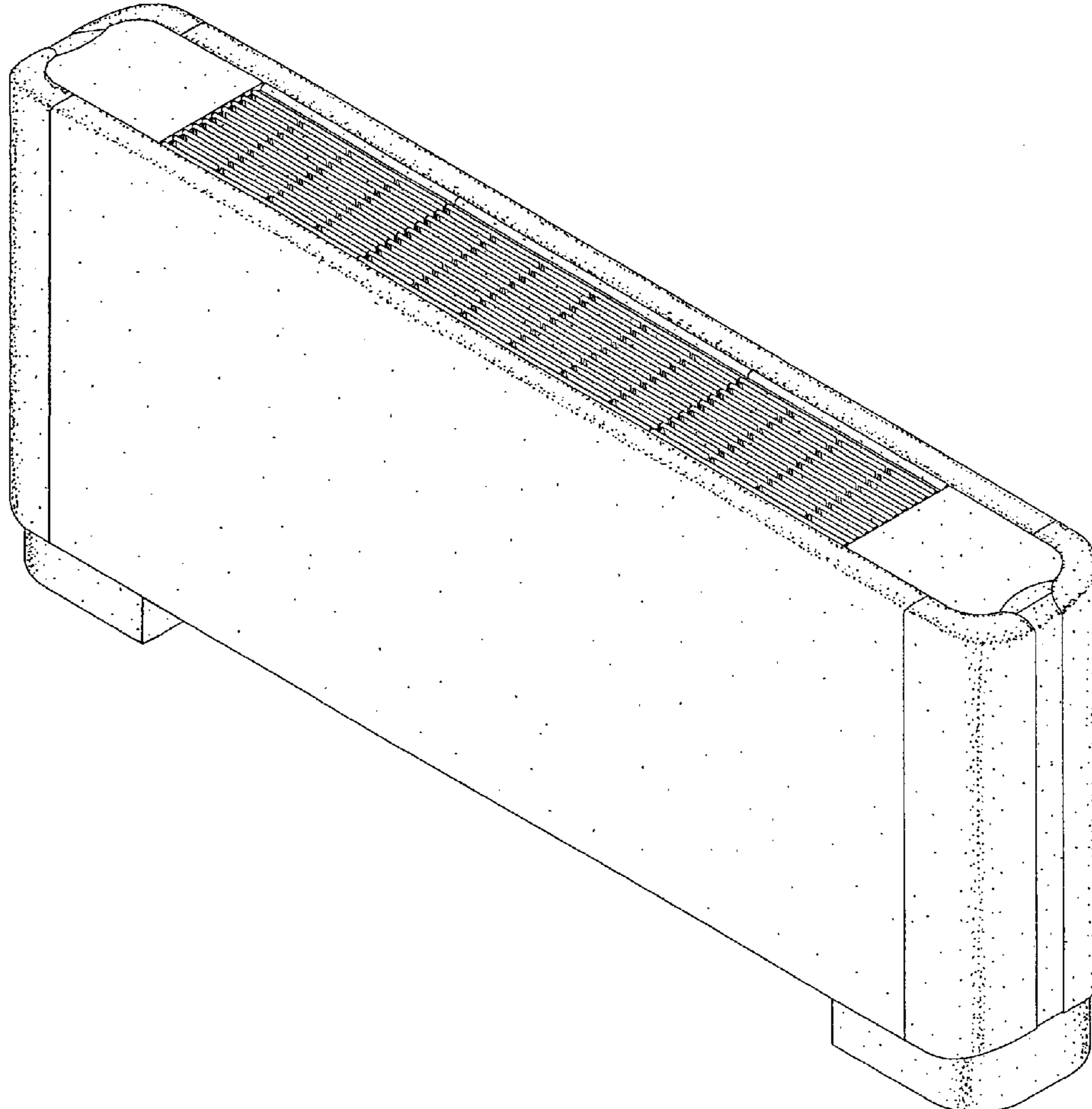


Fig. 1

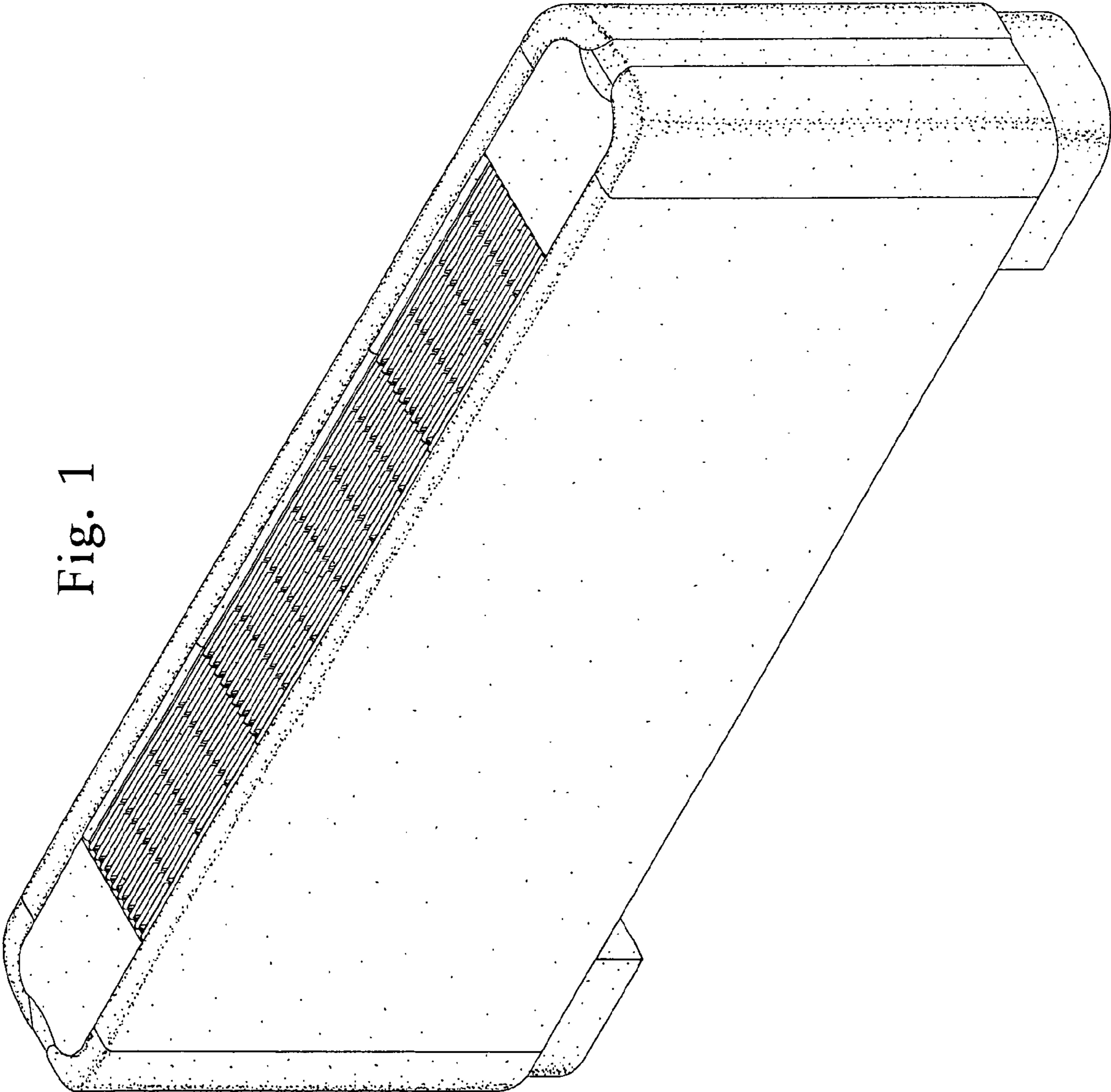
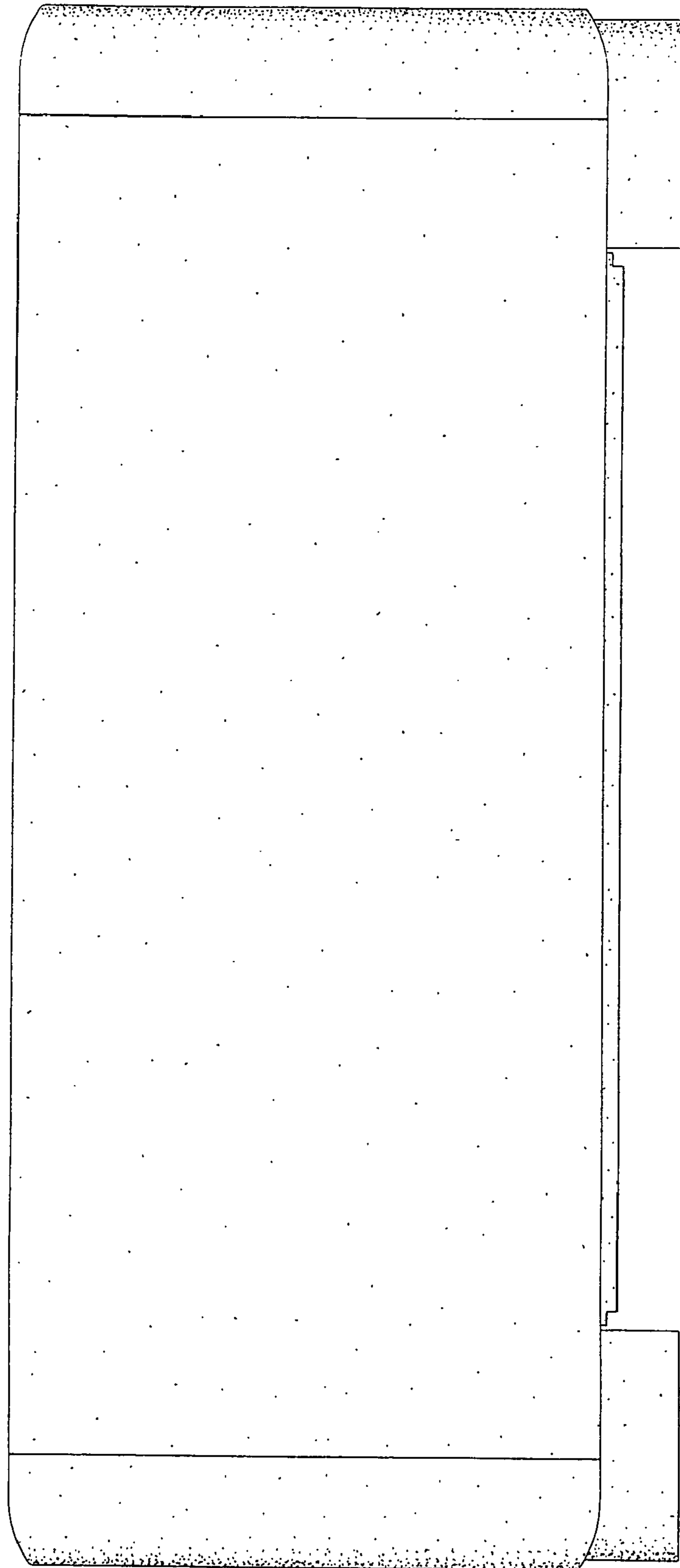


Fig. 2



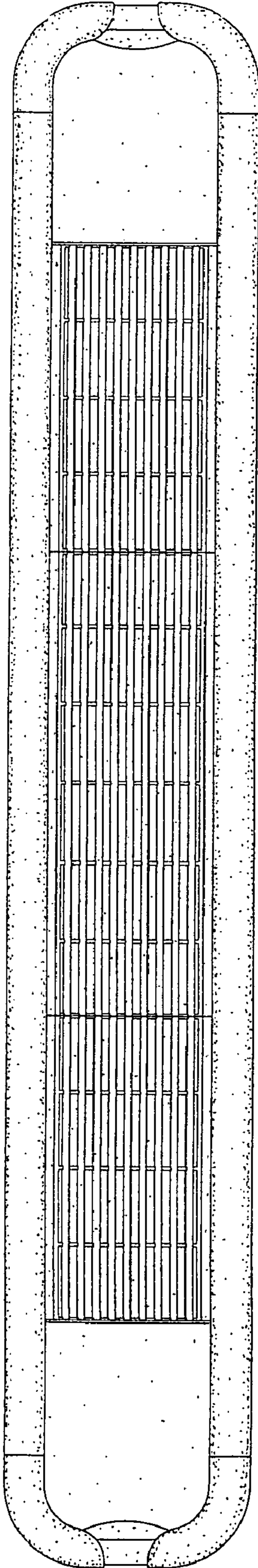


Fig. 3

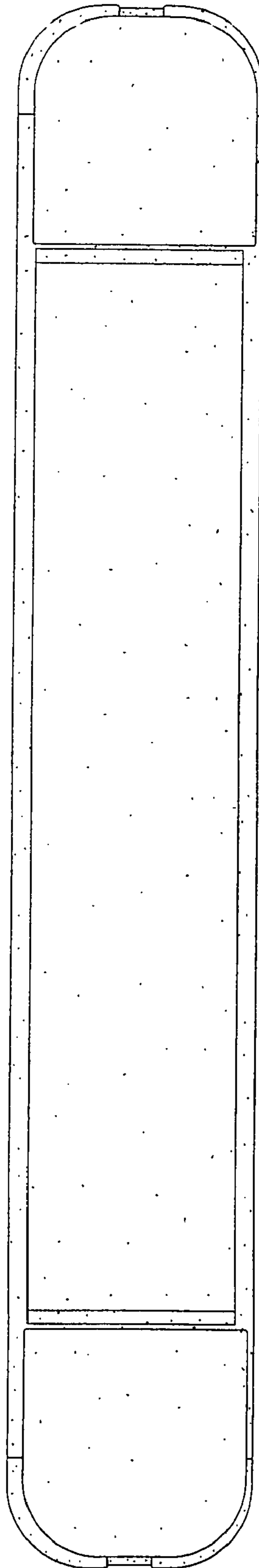


Fig. 4

Fig. 5

