



US00D594537S

(12) **United States Design Patent**
Driedger

(10) **Patent No.:** **US D594,537 S**

(45) **Date of Patent:** **** Jun. 16, 2009**

(54) **TOILET SEAT**

(76) **Inventor:** **Bentley Edwin Driedger**, 5133 223A
Street, Langley, BC (CA) V2Y 2T9

(**) **Term:** **14 Years**

(21) **Appl. No.:** **29/328,589**

(22) **Filed:** **Nov. 26, 2008**

(51) **LOC (9) Cl.** **23-02**

(52) **U.S. Cl.** **D23/311**

(58) **Field of Classification Search** D23/273-274,
D23/303, 309, 311; 4/663-664, 444, 485-486,
4/661, 234, 237, 242.1, 245.1, 902, DIG. 15,
4/217

See application file for complete search history.

(56) **References Cited**

U.S. PATENT DOCUMENTS

2,260,404	A *	10/1941	Richardi	4/245.3
3,752,088	A *	8/1973	Kapnek	108/152
4,133,061	A *	1/1979	Hurd	4/236
D314,424	S *	2/1991	Davenport et al.	D23/311
D344,795	S *	3/1994	Crowley, Jr.	D23/393
D352,773	S	11/1994	Haleschuk		
D370,529	S	6/1996	Nestor		
D421,491	S *	3/2000	Hewitt	D23/311
D473,296	S *	4/2003	Tucci	D23/311
D500,846	S *	1/2005	Williams	D23/311

D503,466	S	3/2005	Davis		
D529,152	S *	9/2006	Benjamin et al.	D23/311
D529,591	S	10/2006	Benjamin et al.		
D561,316	S	2/2008	Ollgaard		

FOREIGN PATENT DOCUMENTS

CA 67905 2/1991

* cited by examiner

Primary Examiner—Robert A Delehanty
(74) *Attorney, Agent, or Firm*—Oyen Wiggs Green & Mutala
LLP

(57) **CLAIM**

The ornamental design for a toilet seat, as shown and described.

DESCRIPTION

FIG. 1 is a front perspective view of the toilet seat in open configuration;

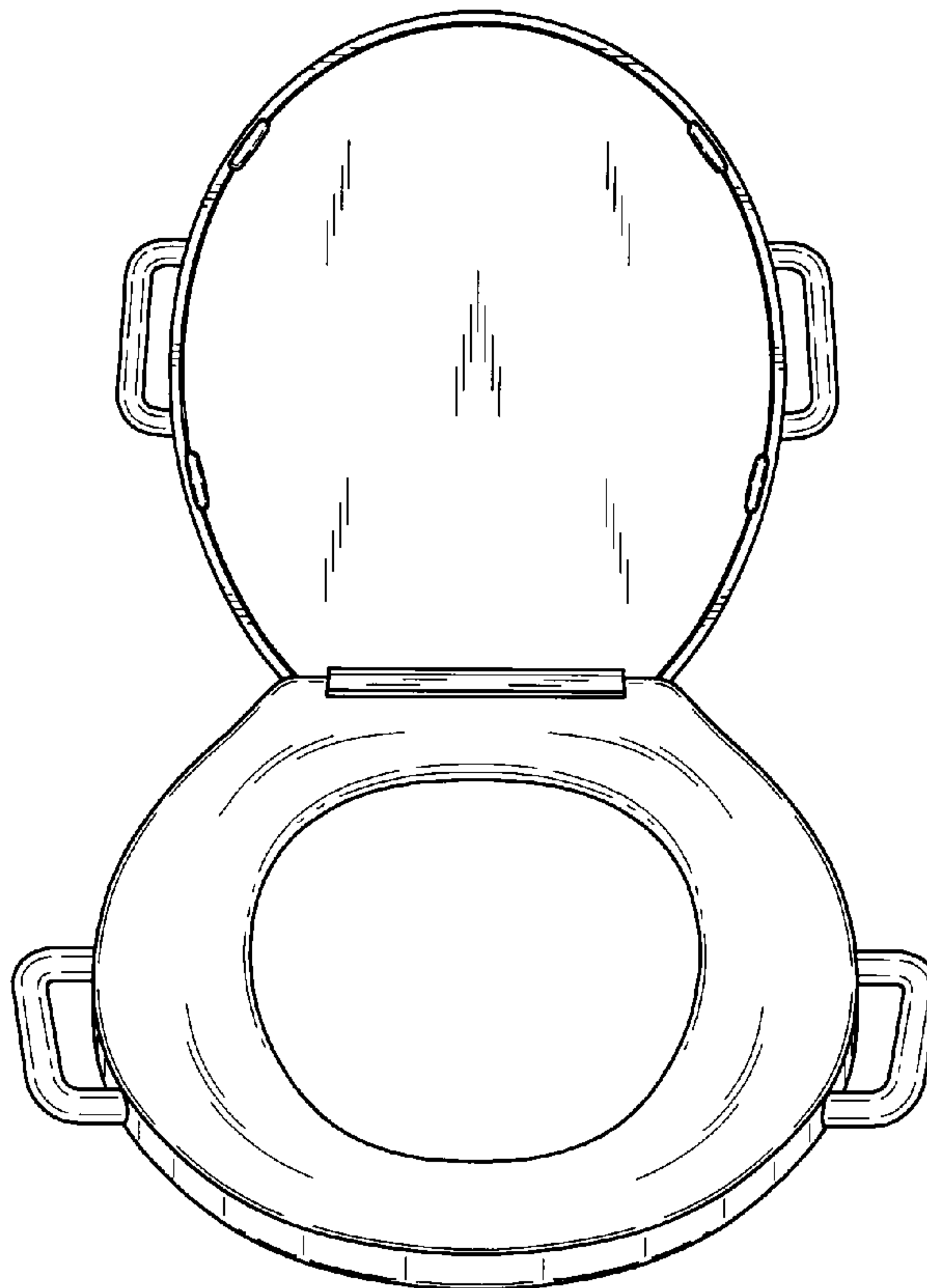
FIG. 2 is a top view thereof in closed configuration;

FIG. 3 is a left side perspective view thereof, the right side view being a mirror image thereof; and,

FIG. 4 is a bottom view thereof.

The broken line showing of a hinge is included for the purpose of illustrating a portion of a toilet seat and forms no part of the claimed design.

1 Claim, 4 Drawing Sheets



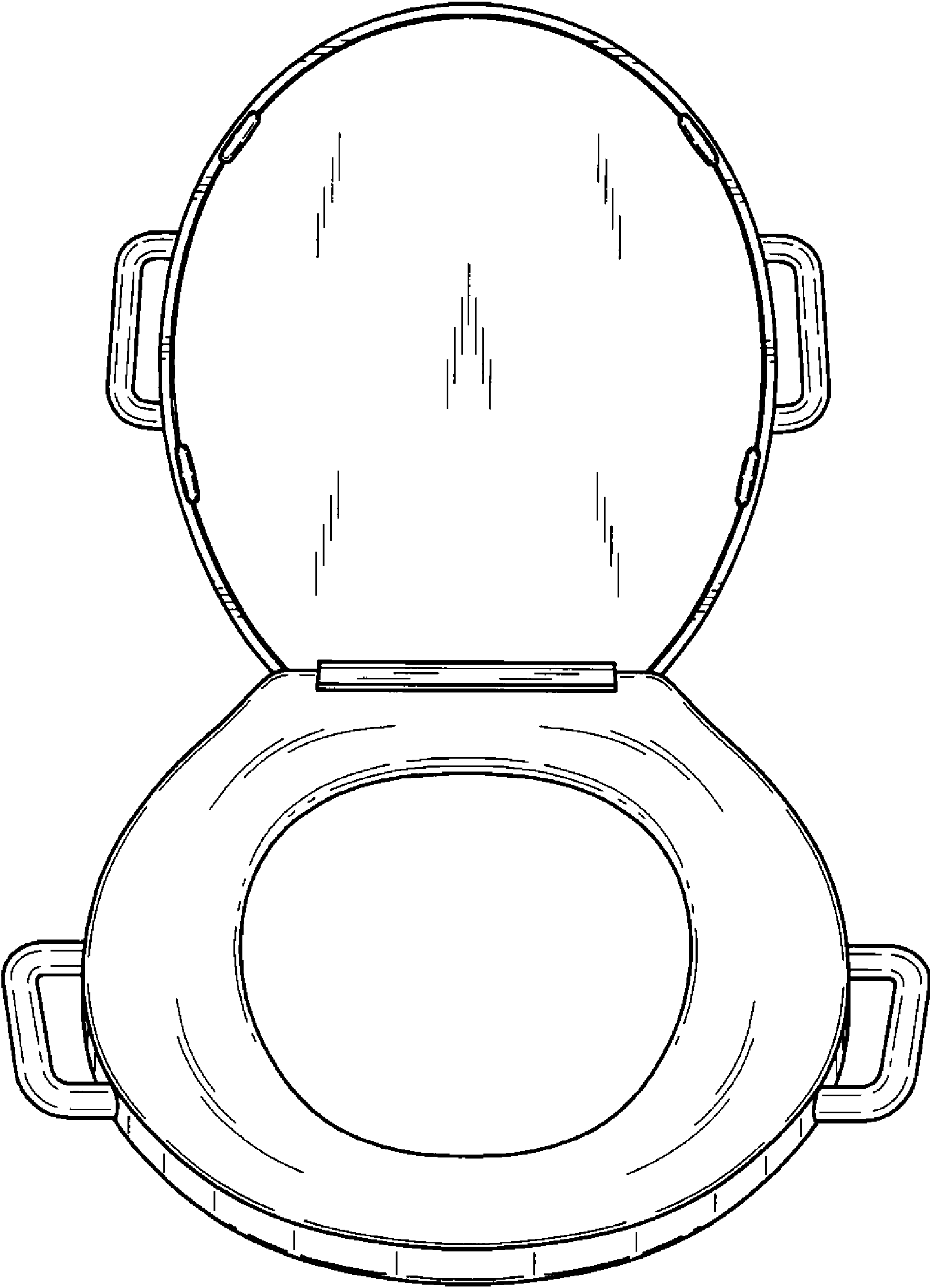


FIG. 1

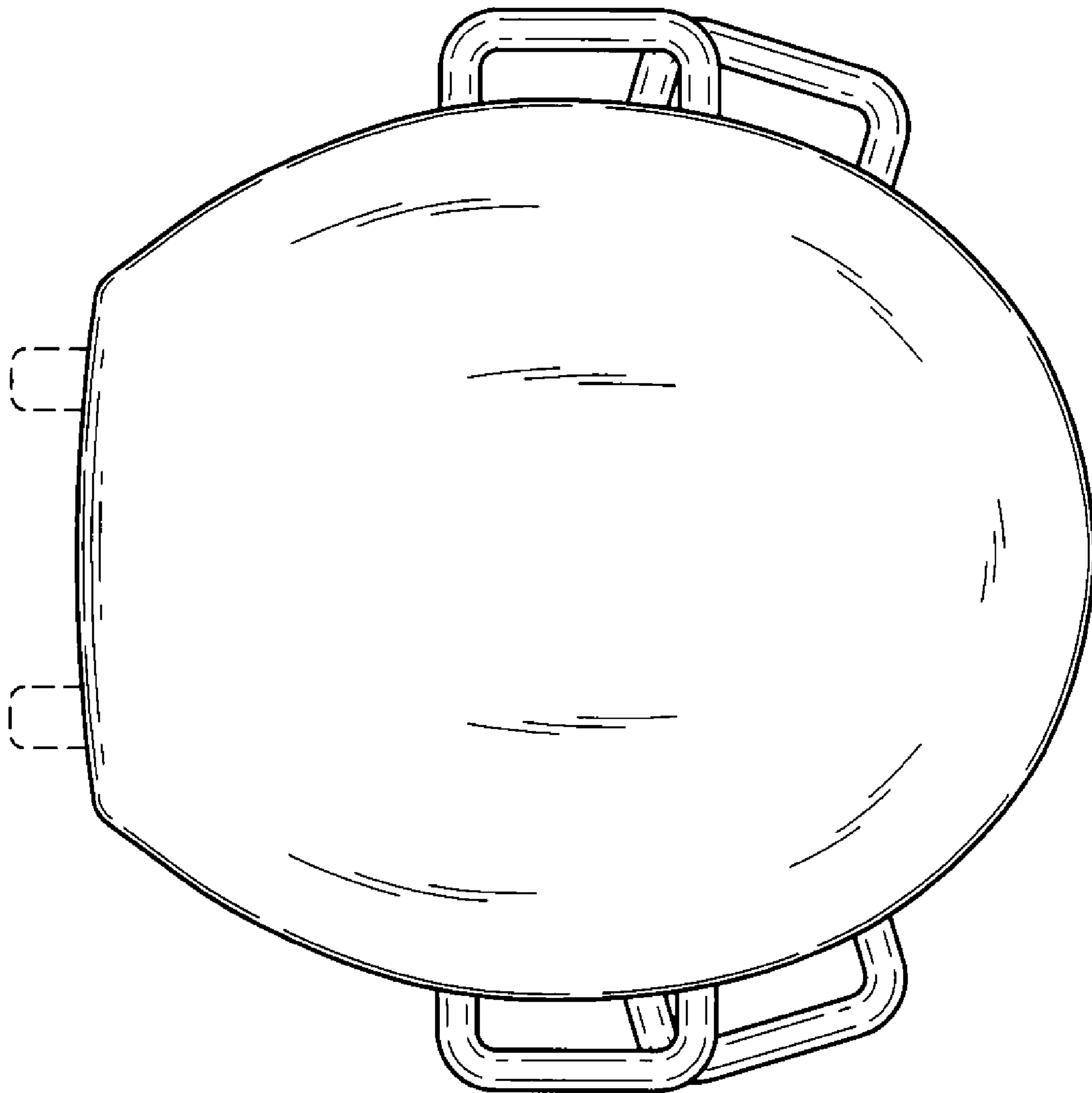


FIG. 2

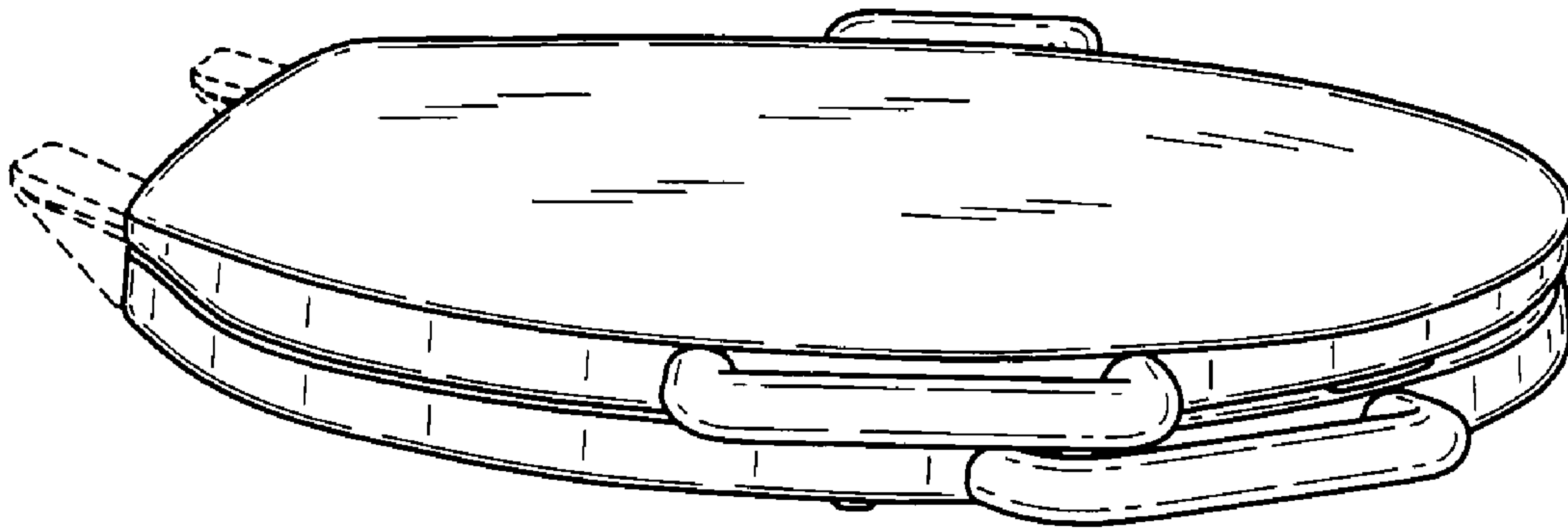


FIG. 3

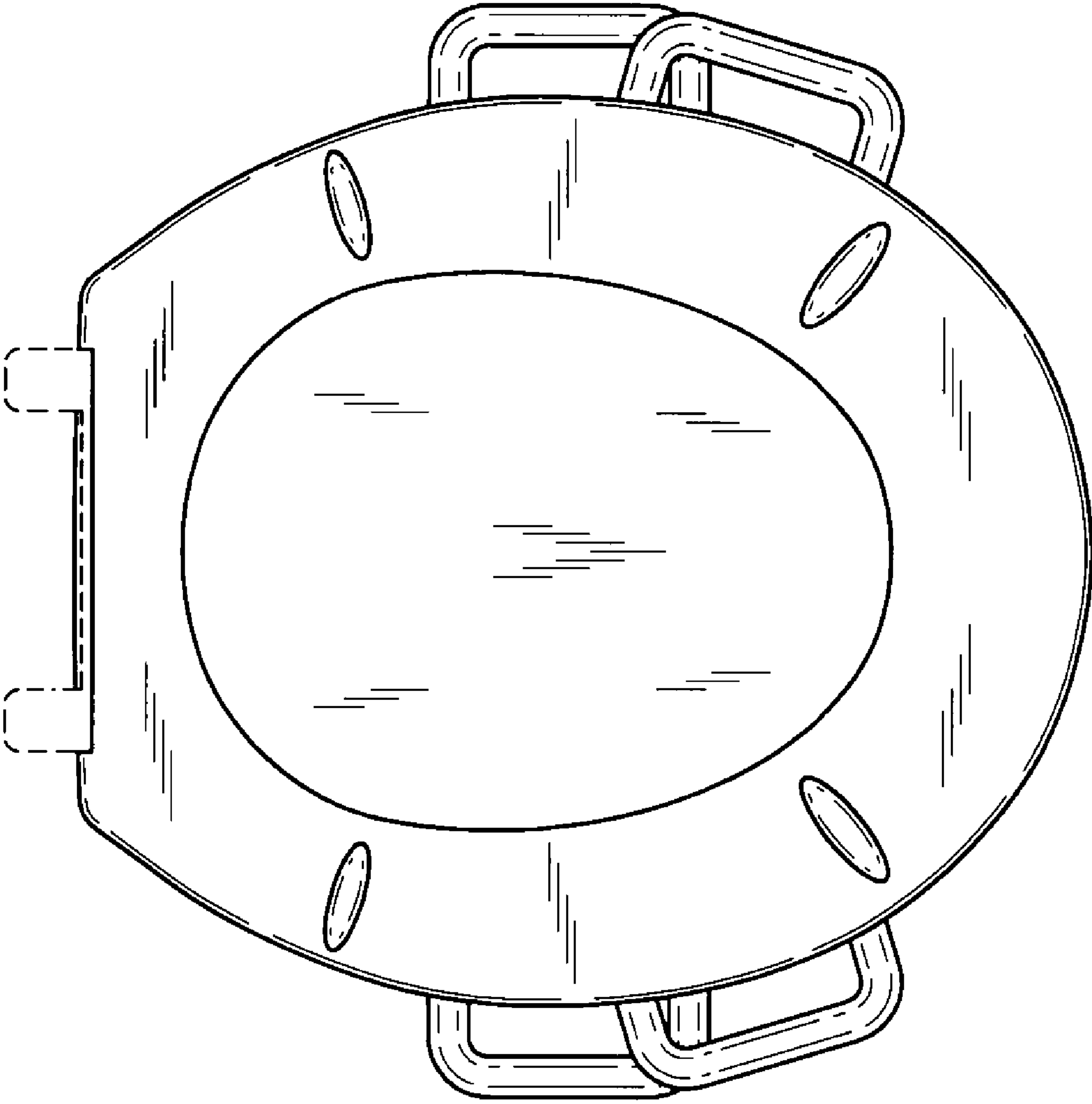


FIG. 4