



US00D594535S

(12) **United States Design Patent**
Bucher

(10) **Patent No.:** **US D594,535 S**
(45) **Date of Patent:** **** Jun. 16, 2009**

(54) **ONE-PIECE TOILET**

(75) Inventor: **Christophe Bucher**, Hillsborough, NJ
(US)

(73) Assignee: **AS IP Holdco, L.L.C.**, Piscataway, NJ
(US)

(**) Term: **14 Years**

(21) Appl. No.: **29/328,542**

(22) Filed: **Nov. 25, 2008**

(51) **LOC (9) Cl.** **23-02**

(52) **U.S. Cl.** **D23/301**

(58) **Field of Classification Search** D23/273-274,
D23/299-301, 303, 309, 313; 4/663-664,
4/328, 329, 353, 420, 661, DIG. 15

See application file for complete search history.

(56) **References Cited**

U.S. PATENT DOCUMENTS

D390,934 S * 2/1998 McKeone D23/313

D508,732 S * 8/2005 Rivas D23/301

OTHER PUBLICATIONS

www.totousa.com; Product Detail; Soiree® Toilet, 1.6 GPF - ADA.

www.totousa.com; Product Detail; Pacifica® Toilet, 1.6 GPF.

www.totousa.com; Product Detail; Pacifica® Two-Piece Toilet, 1.6 GPF.

* cited by examiner

Primary Examiner—Robert A Delehanty

(74) *Attorney, Agent, or Firm*—Flaster/Greenberg P.C.

(57) **CLAIM**

The ornamental design for a one-piece toilet, as shown and described.

DESCRIPTION

FIG. 1 is a perspective view of a one-piece toilet;

FIG. 2 is a front elevational view of the one-piece toilet of FIG. 1;

FIG. 3 is a left side elevational view of the one-piece toilet of FIG. 1;

FIG. 4 is a right side elevational view of the one-piece toilet of FIG. 1;

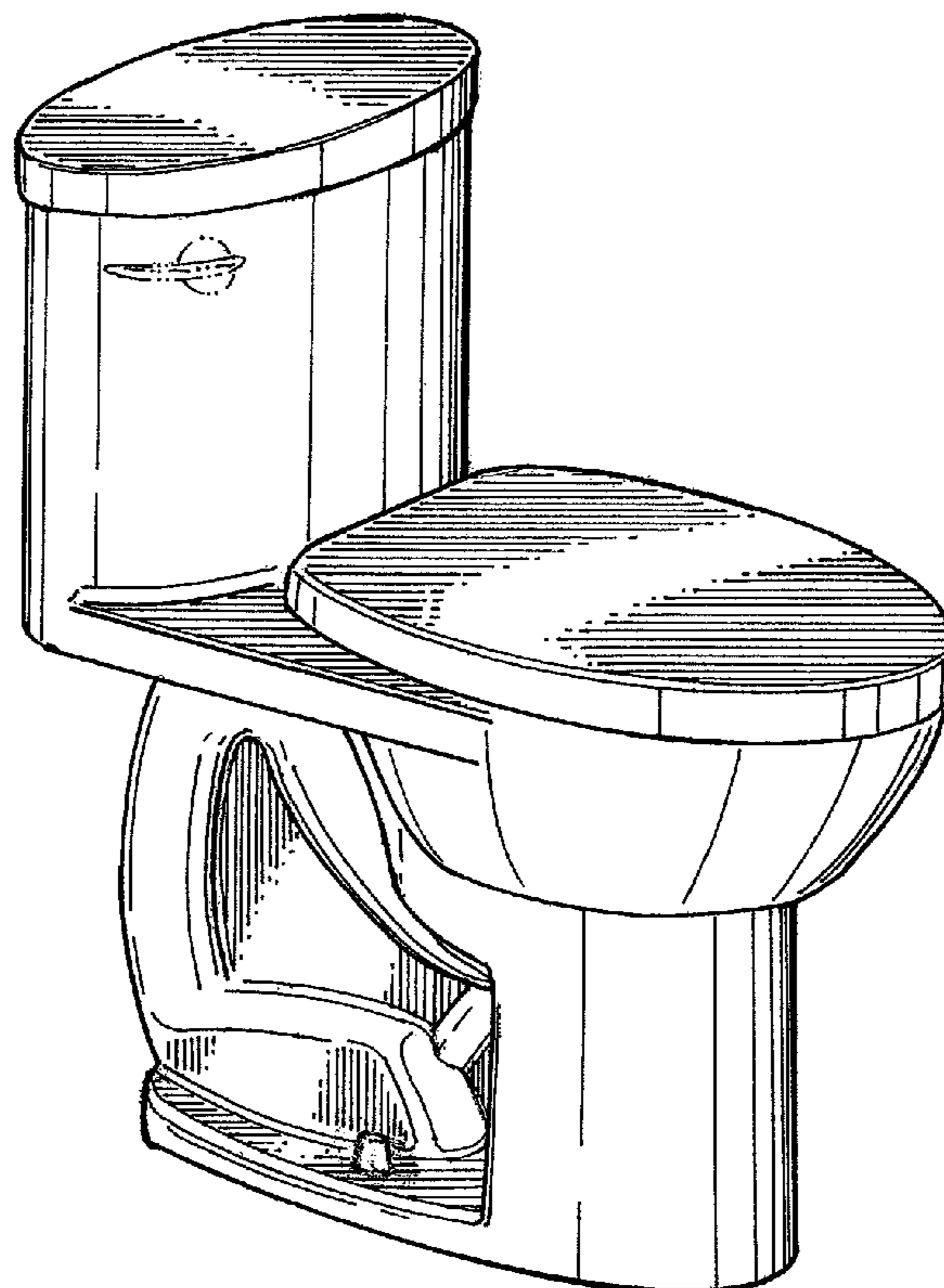
FIG. 5 is a rear elevational view of the one-piece toilet of FIG. 1;

FIG. 6 is a top plan view of the one-piece toilet of FIG. 1; and,

FIG. 7 is a bottom plan view of the one-piece toilet of FIG. 1.

The broken lines showing of portions of the toilet are for illustrative purposes only and form no part of the claimed design.

1 Claim, 4 Drawing Sheets



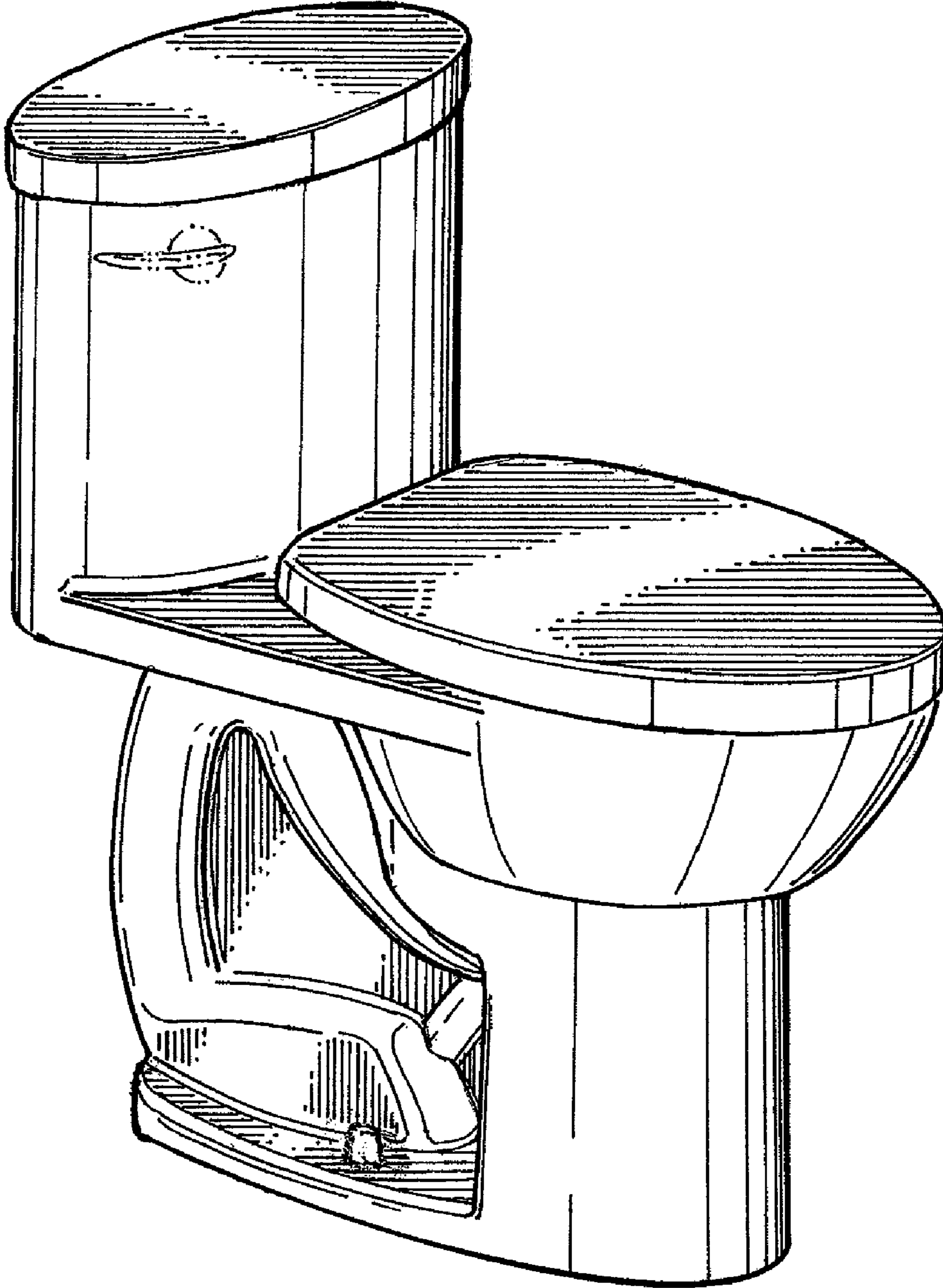


FIG. 1

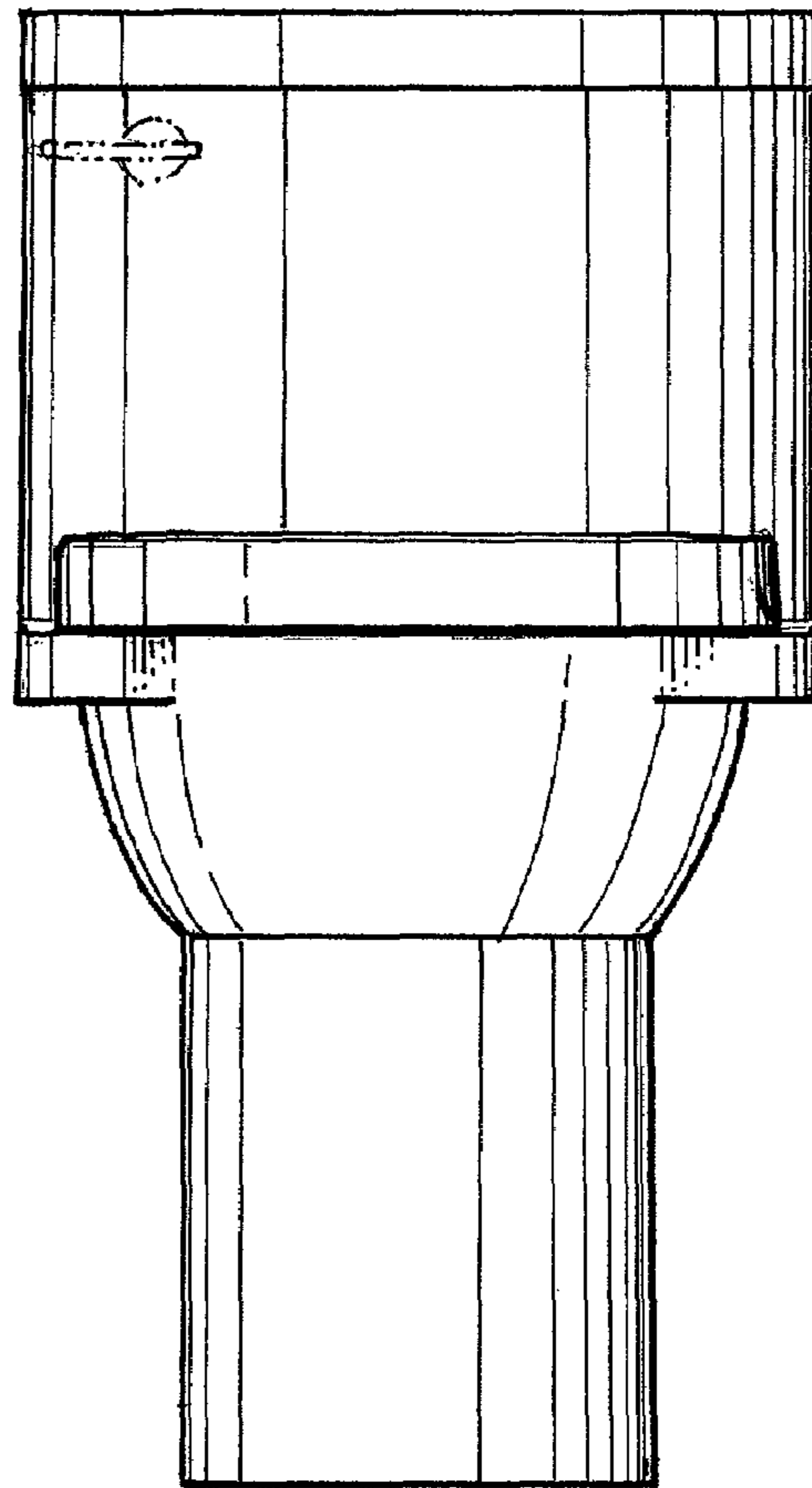


FIG. 2

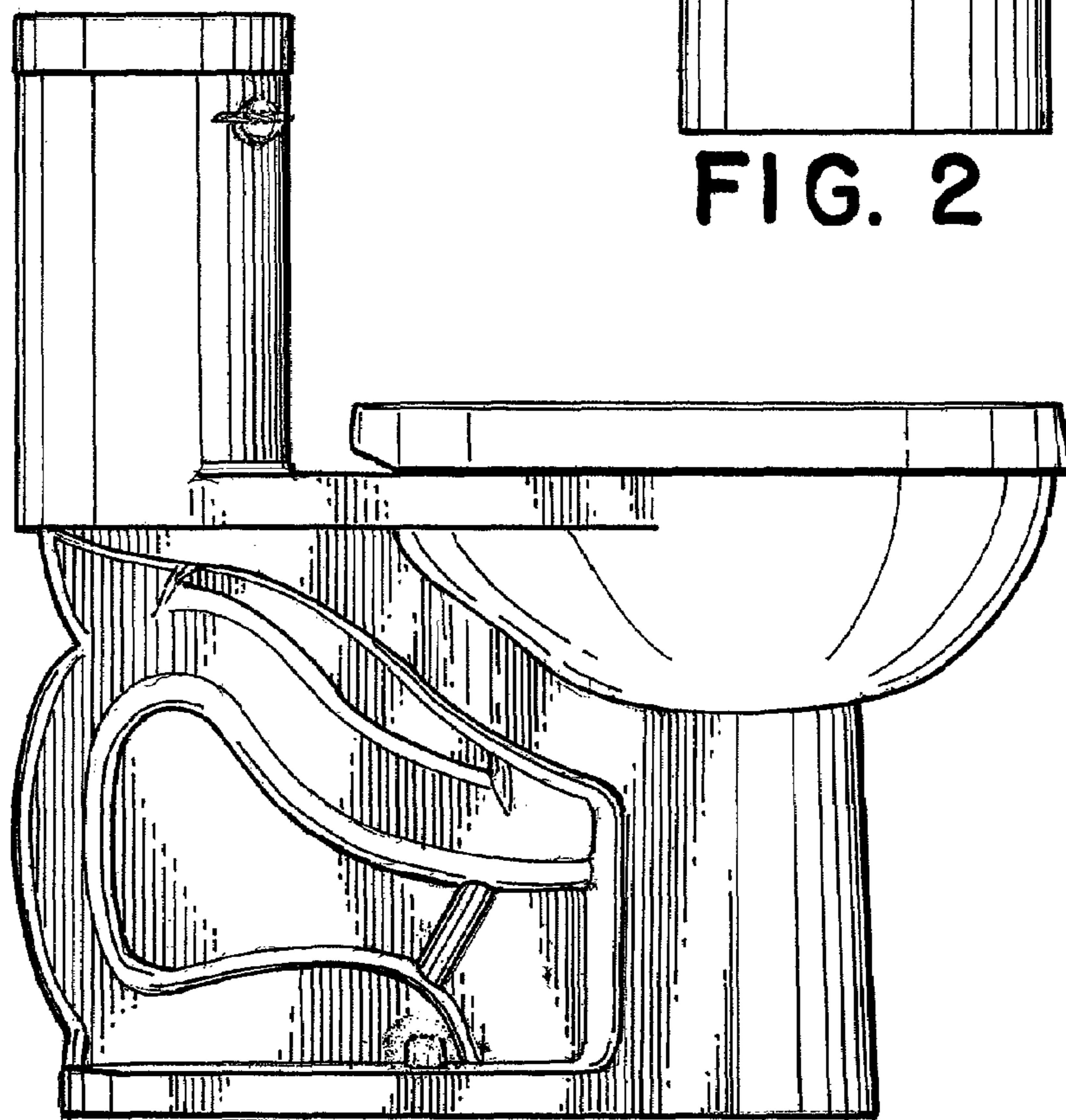


FIG. 3

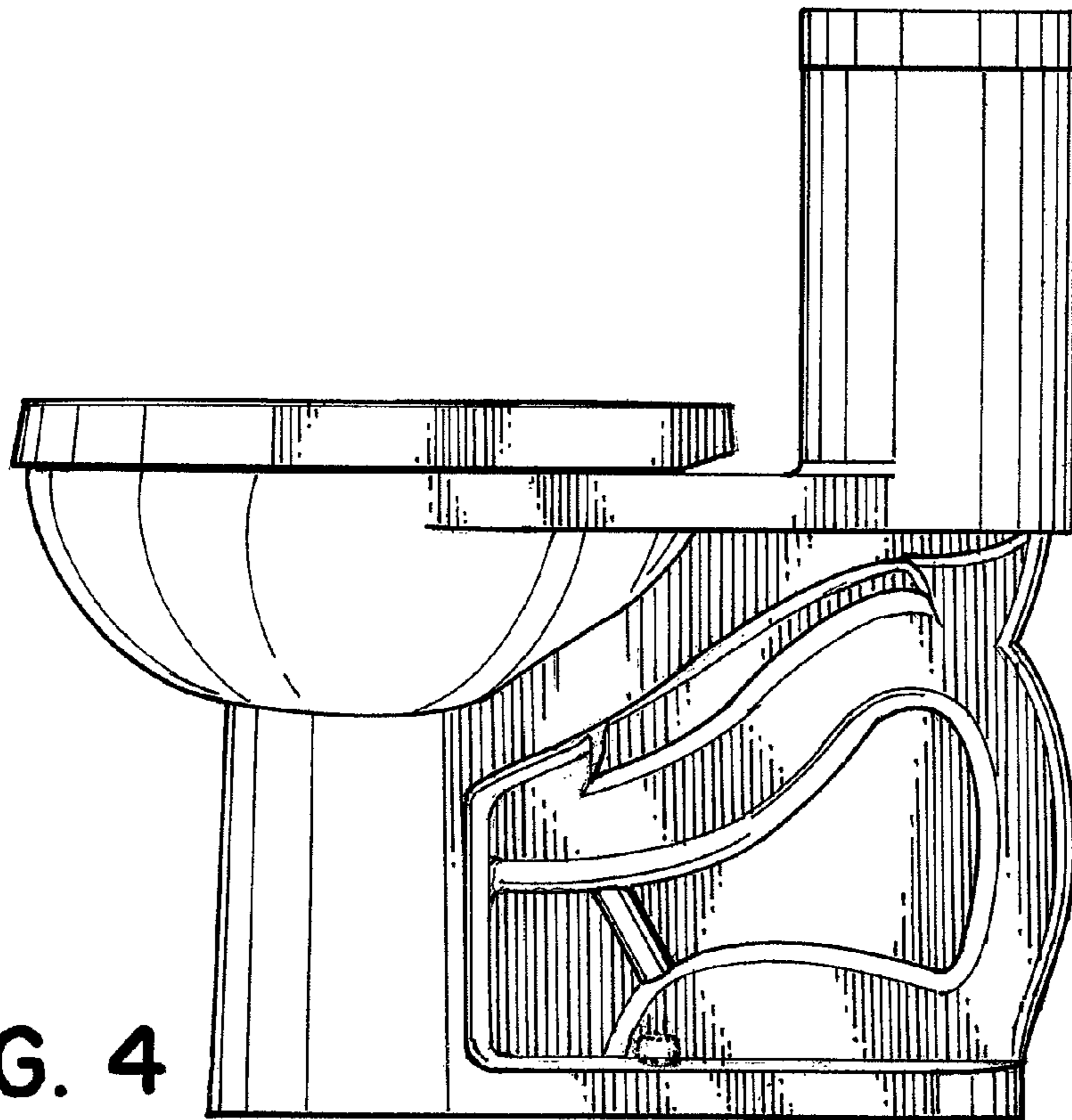


FIG. 4

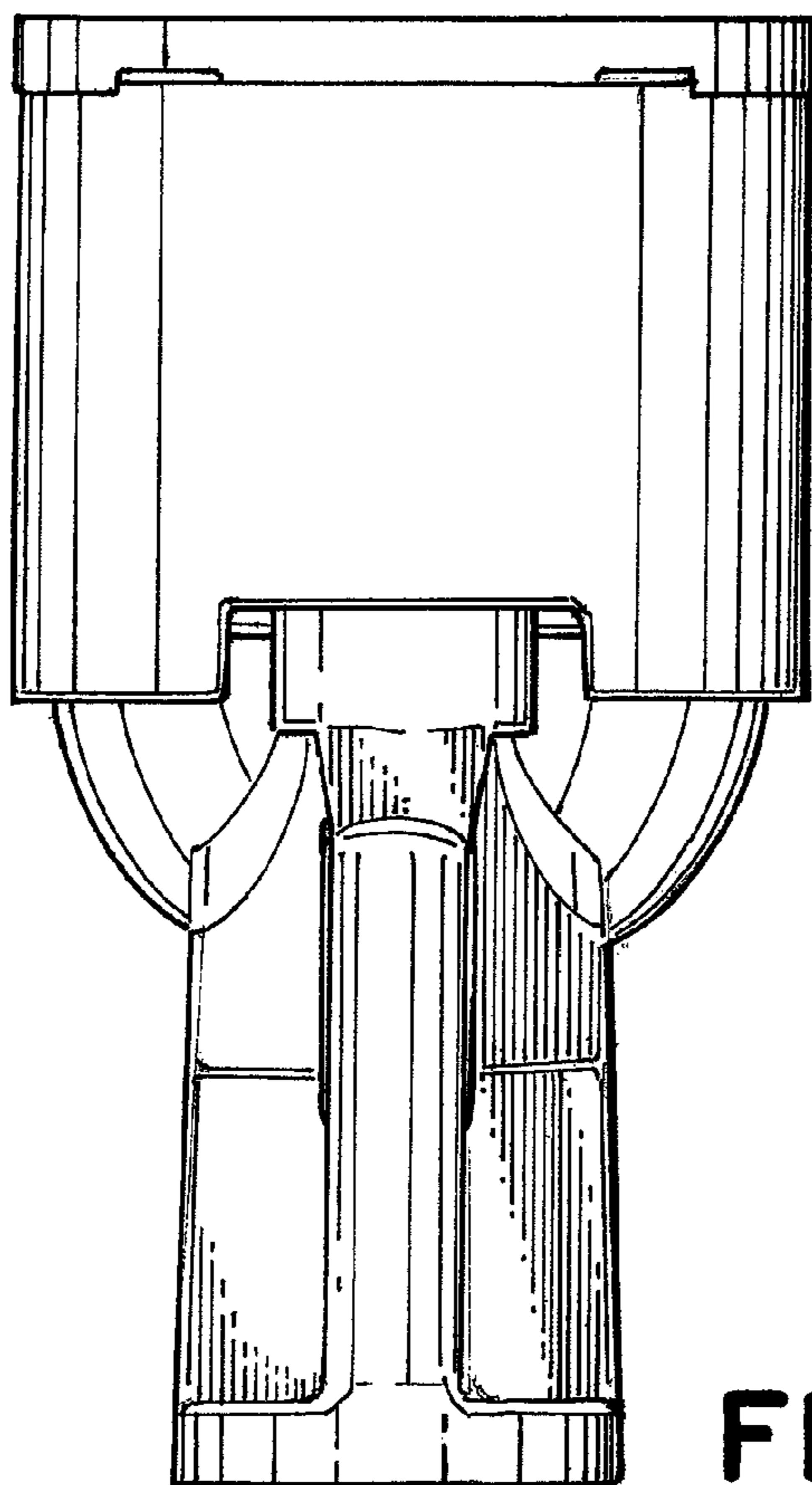


FIG. 5

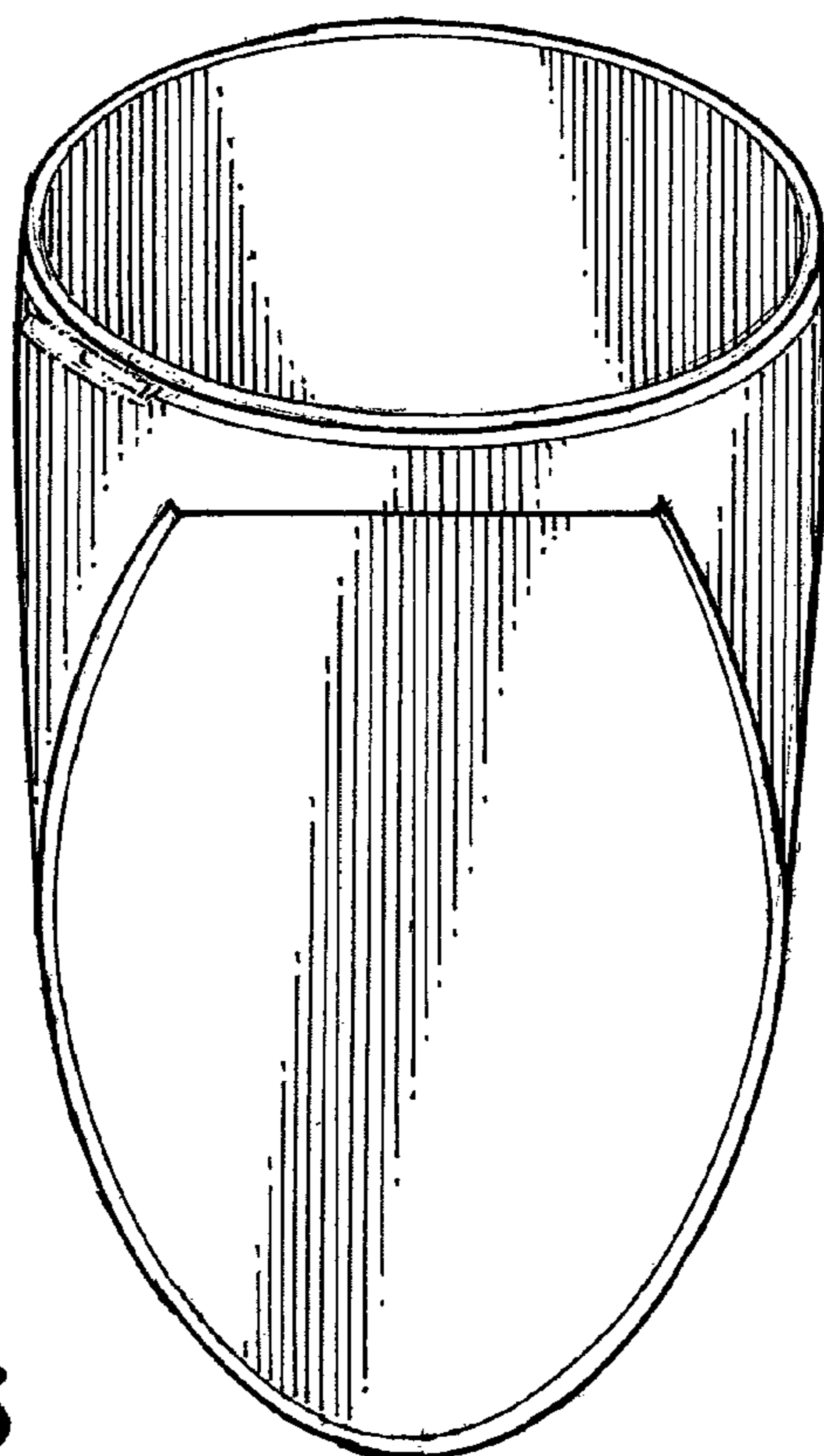


FIG. 6

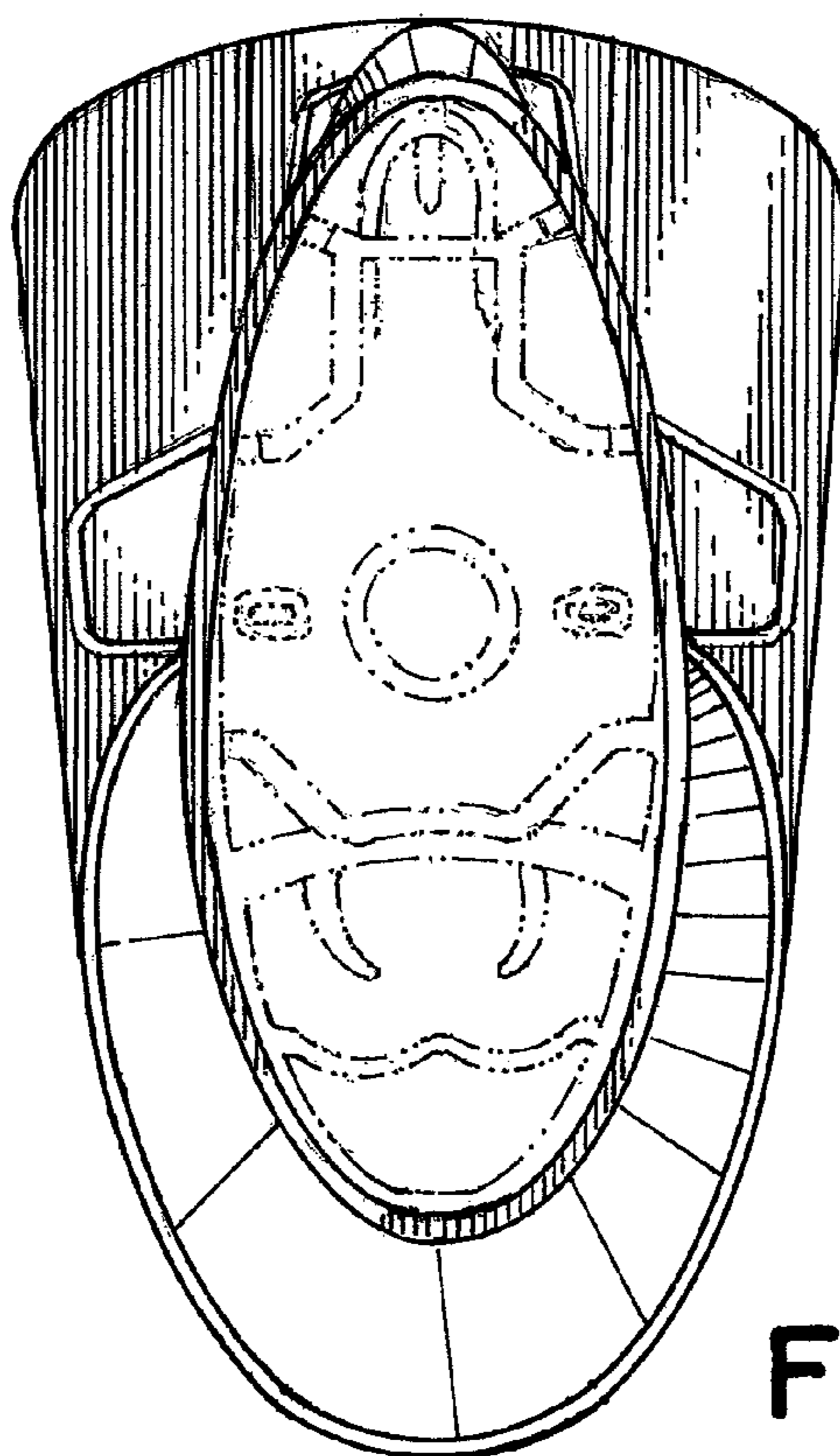


FIG. 7