



US00D594533S

(12) **United States Design Patent**  
**Schoenherr et al.**

(10) **Patent No.:** **US D594,533 S**  
(45) **Date of Patent:** **\*\* Jun. 16, 2009**

(54) **FAUCET**

(75) Inventors: **Tom Schoenherr**, Stuttgart (DE); **Anke Salomon**, Stuttgart (DE)

(73) Assignee: **Hansgrohe AG**, Schiltach (DE)

(\*\*) Term: **14 Years**

(21) Appl. No.: **29/322,652**

(22) Filed: **Aug. 8, 2008**

(51) **LOC (9) Cl.** ..... **23-01**

(52) **U.S. Cl.** ..... **D23/238**

(58) **Field of Classification Search** ..... D23/239–243,  
D23/250–254, 255–257, 213, 223, 226; 4/675–678;  
137/801; 16/110.1; D8/300, 307–312; D6/512,  
D6/524, 546, 550

See application file for complete search history.

(56) **References Cited**

**U.S. PATENT DOCUMENTS**

D579,079 S \* 10/2008 Ko ..... D23/226

\* cited by examiner

*Primary Examiner*—Robert A Delehanty

(74) *Attorney, Agent, or Firm*—Nirav D. Parikh; Edgar A. Zarins

(57) **CLAIM**

The ornamental design for a faucet, as shown and described.

**DESCRIPTION**

FIG. 1 is a front perspective view of a faucet showing our design;

FIG. 2 is a front elevational view thereof;

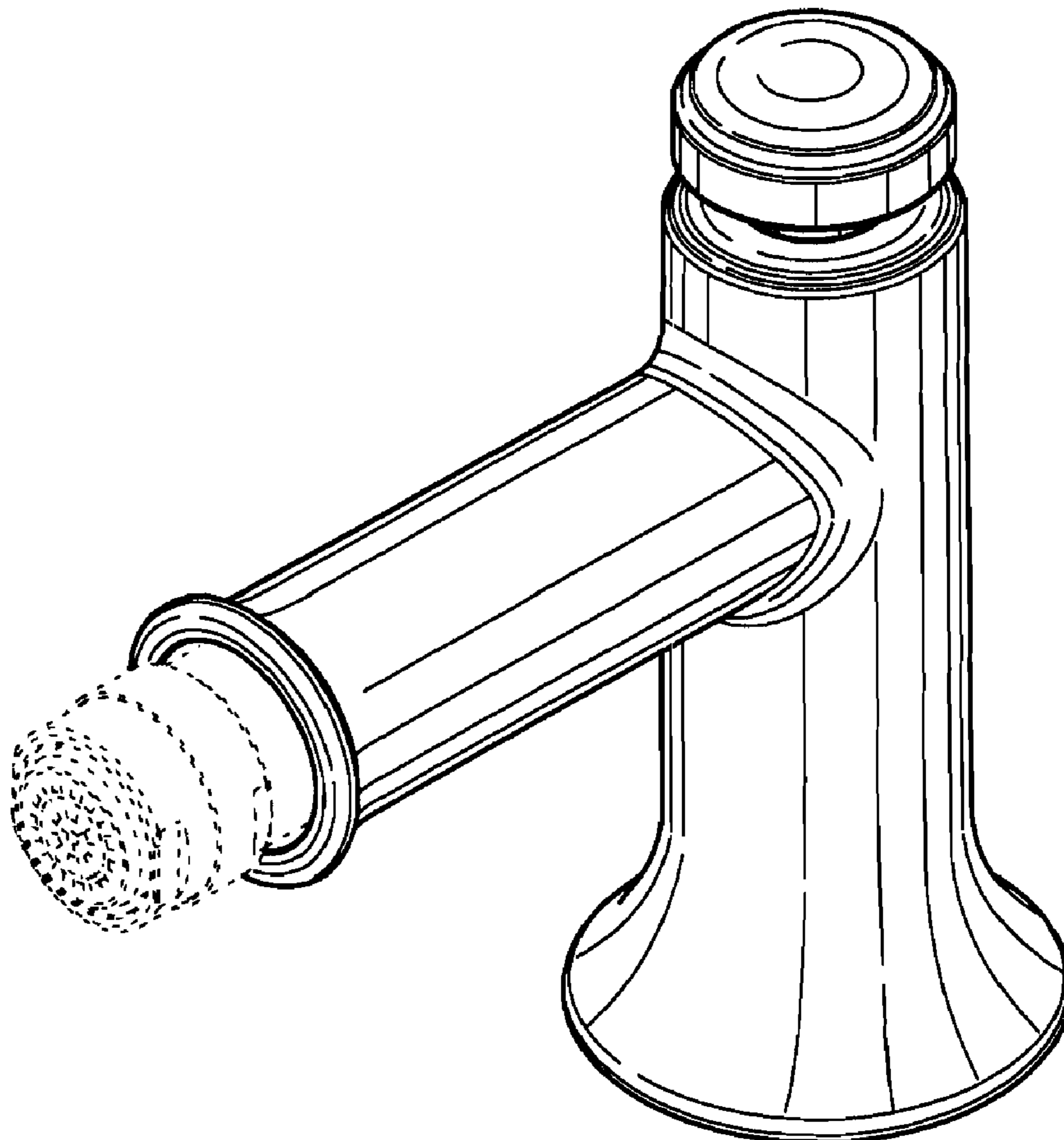
FIG. 3 is a rear elevational view thereof;

FIG. 4 is a left side elevational view thereof; the right side elevational view being a mirror image thereof; and,

FIG. 5 is a top plan view thereof.

The features shown in broken lines depict environmental subject matter only and form no part of the claimed design.

**1 Claim, 5 Drawing Sheets**



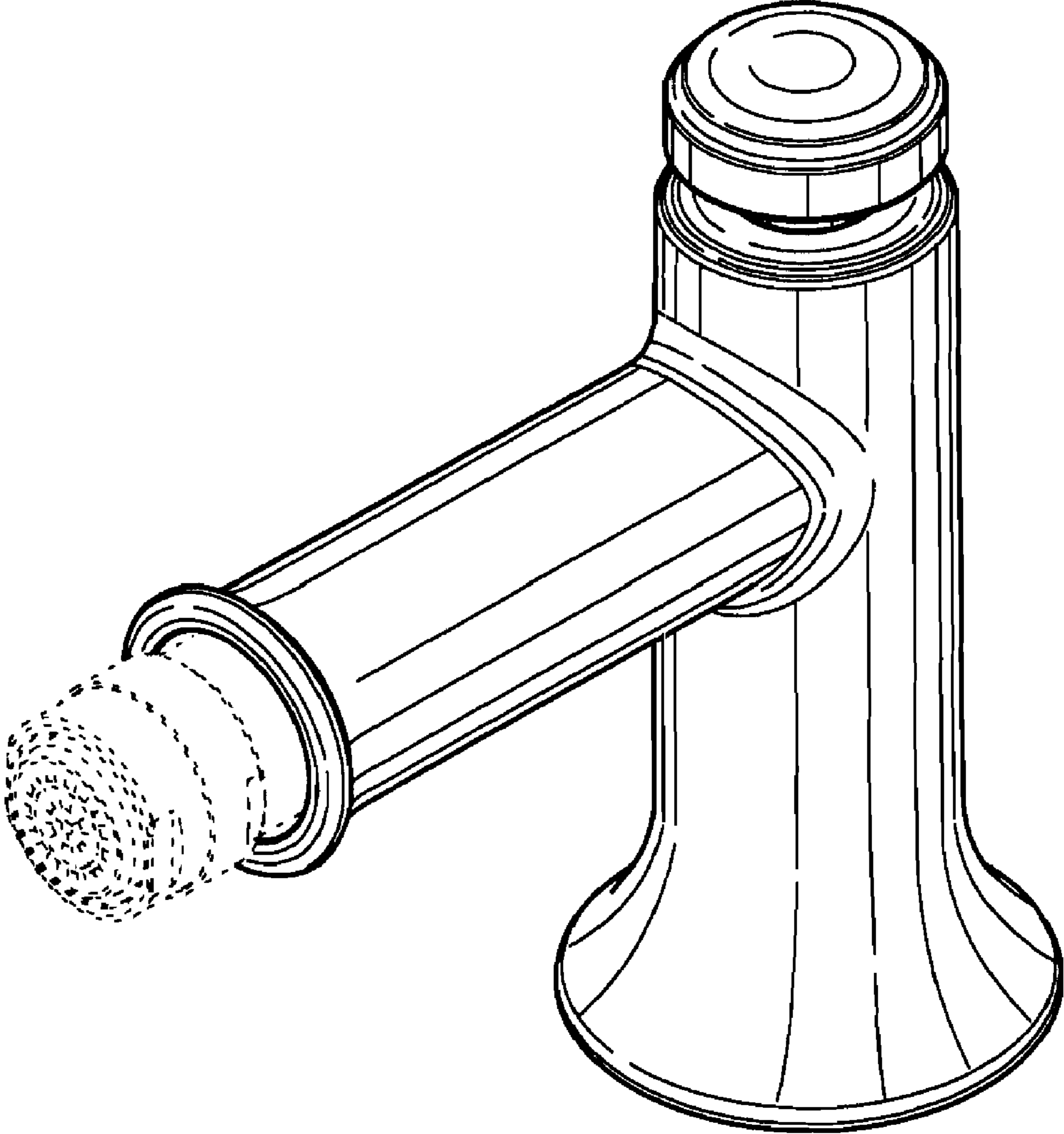


FIG. 1

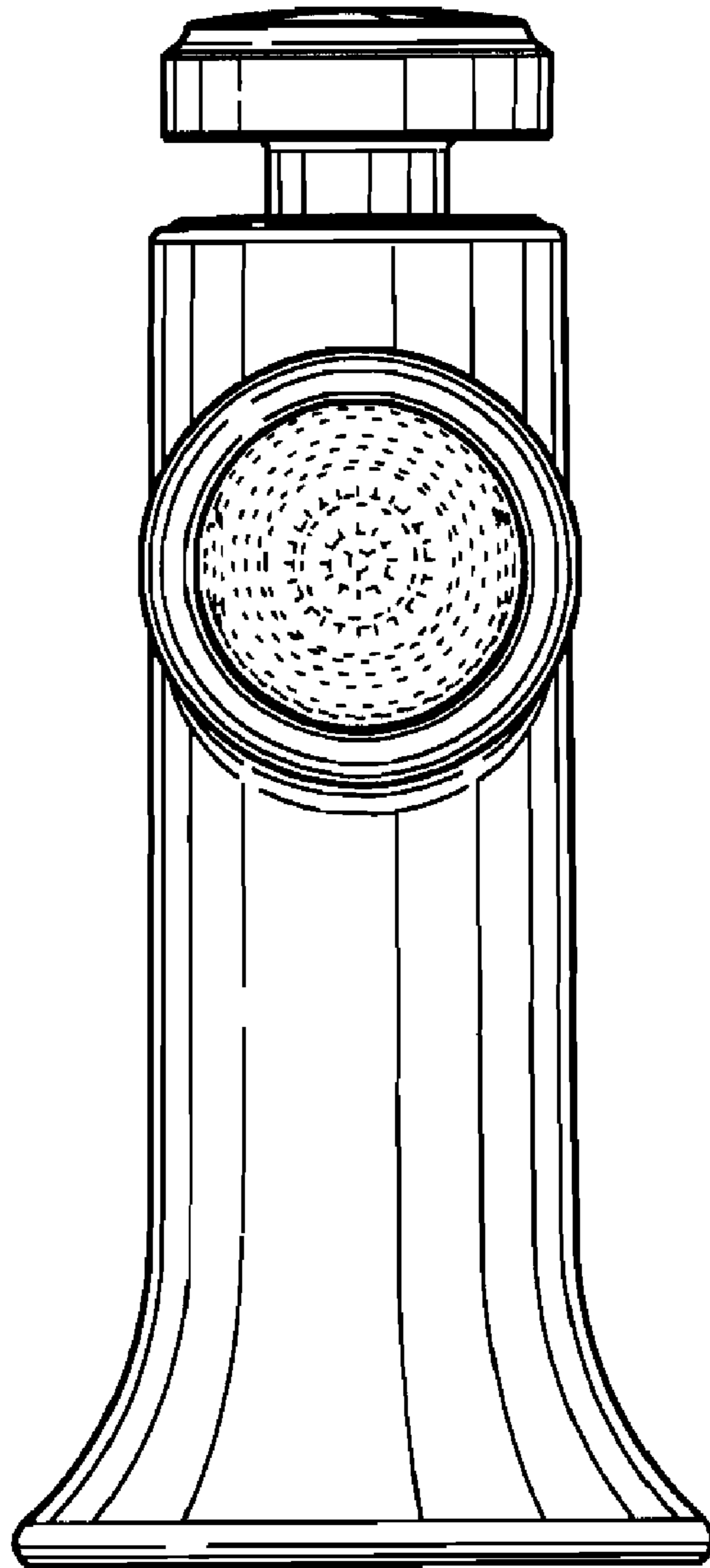


FIG. 2

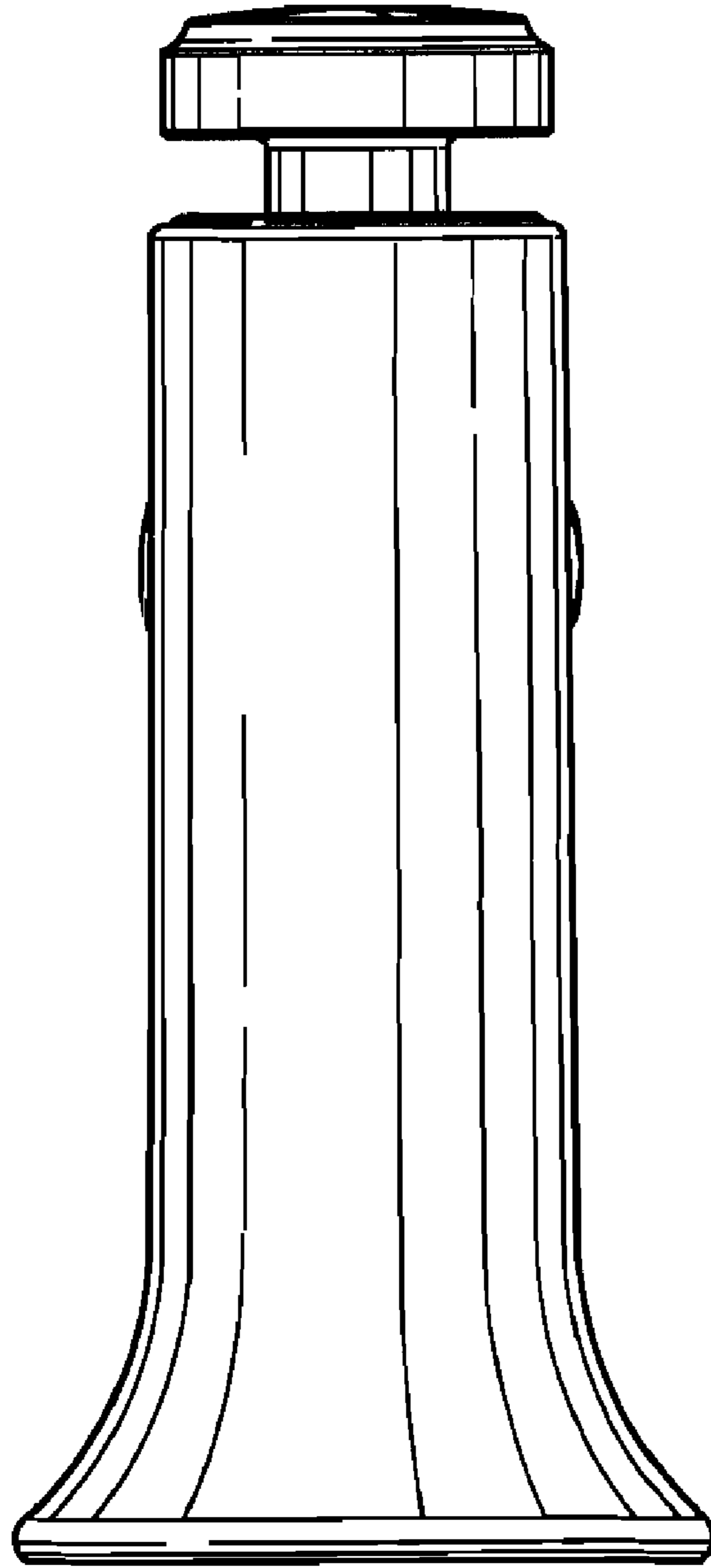


FIG. 3

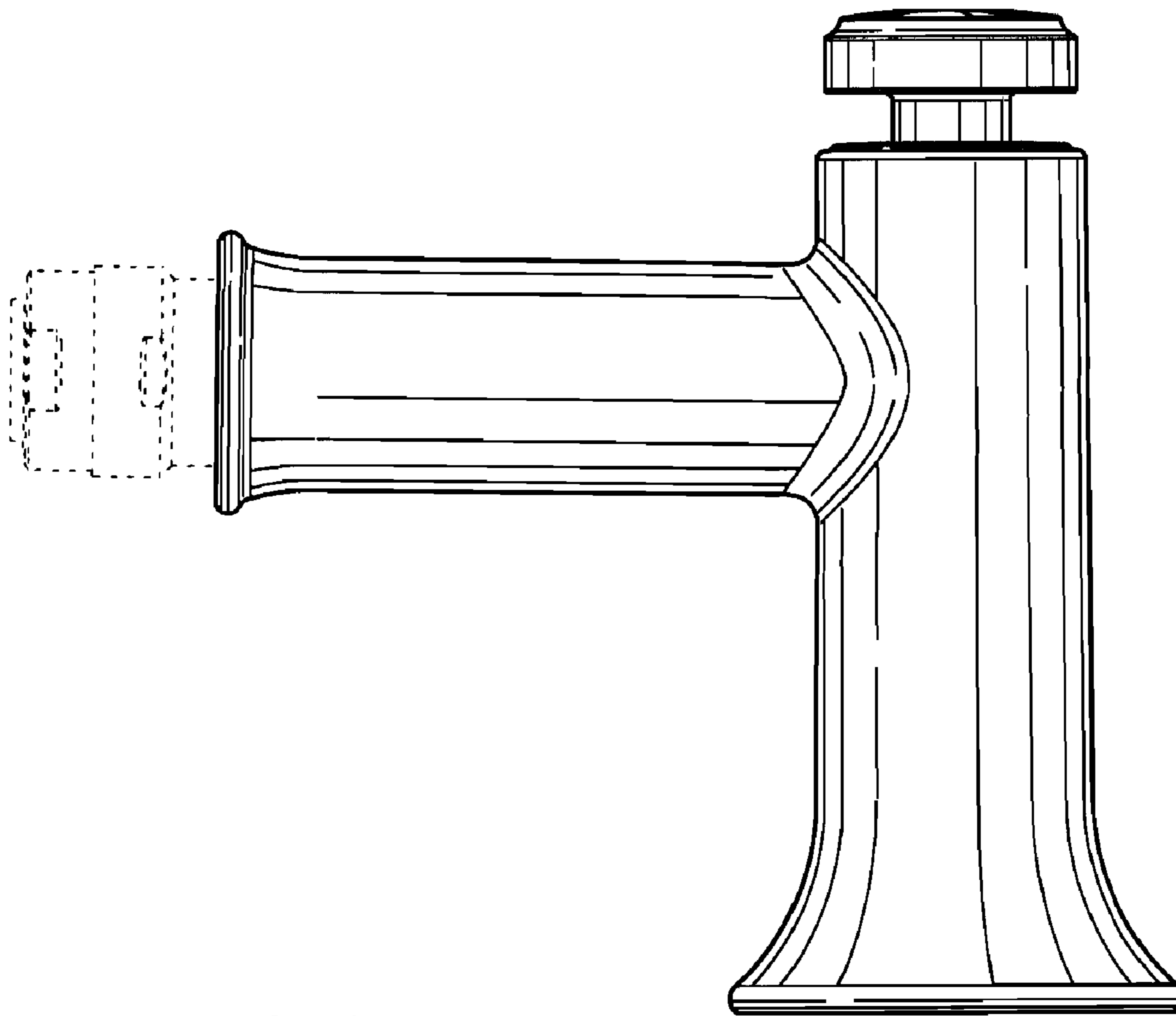


FIG. 4

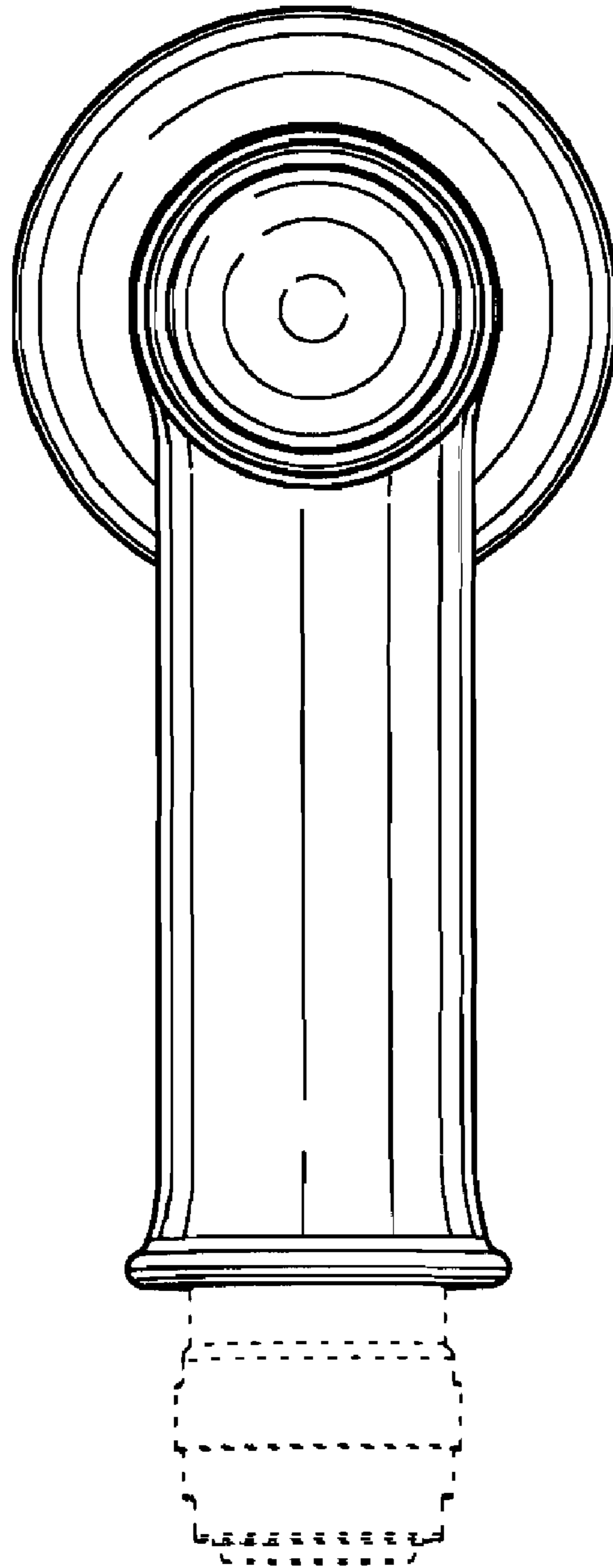


FIG. 5