



US00D594531S

(12) **United States Design Patent**
Daunter et al.

(10) **Patent No.:** **US D594,531 S**
(45) **Date of Patent:** **** Jun. 16, 2009**

(54) **DIVERTER VALVE**

D565,711 S * 4/2008 Giggs et al. D23/304
7,407,140 B2 * 8/2008 Sen 4/615

(75) Inventors: **Dominic J. Daunter**, Howell, MI (US);
Daniel S. Genord, South Lyon, MI
(US); **Michael Miller**, Portage, MI (US);
Julian Giggs, Hillsdale, MI (US)

* cited by examiner

Primary Examiner—Robert A Delehanty
(74) *Attorney, Agent, or Firm*—Edgar A. Zarins; Nirav D.
Parikh

(73) Assignee: **Alsons Corporation**, Hillsdale, MI (US)

(**) Term: **14 Years**

(57) **CLAIM**

(21) Appl. No.: **29/291,868**

The ornamental design for a diverter valve, as shown and described.

(22) Filed: **Sep. 19, 2007**

DESCRIPTION

(51) **LOC (9) Cl.** **23-02**

FIG. 1 is a perspective view of a diverter valve showing our new design;

(52) **U.S. Cl.** **D23/238**

FIG. 2 is a first end view thereof;

(58) **Field of Classification Search** D23/283,
D23/304, 230, 213, 228; 4/552, 567–568,
4/596–597, 615, 900

FIG. 3 is a second end view thereof;

See application file for complete search history.

FIG. 4 is a first side view thereof;

FIG. 5 is a second side view thereof;

(56) **References Cited**

U.S. PATENT DOCUMENTS

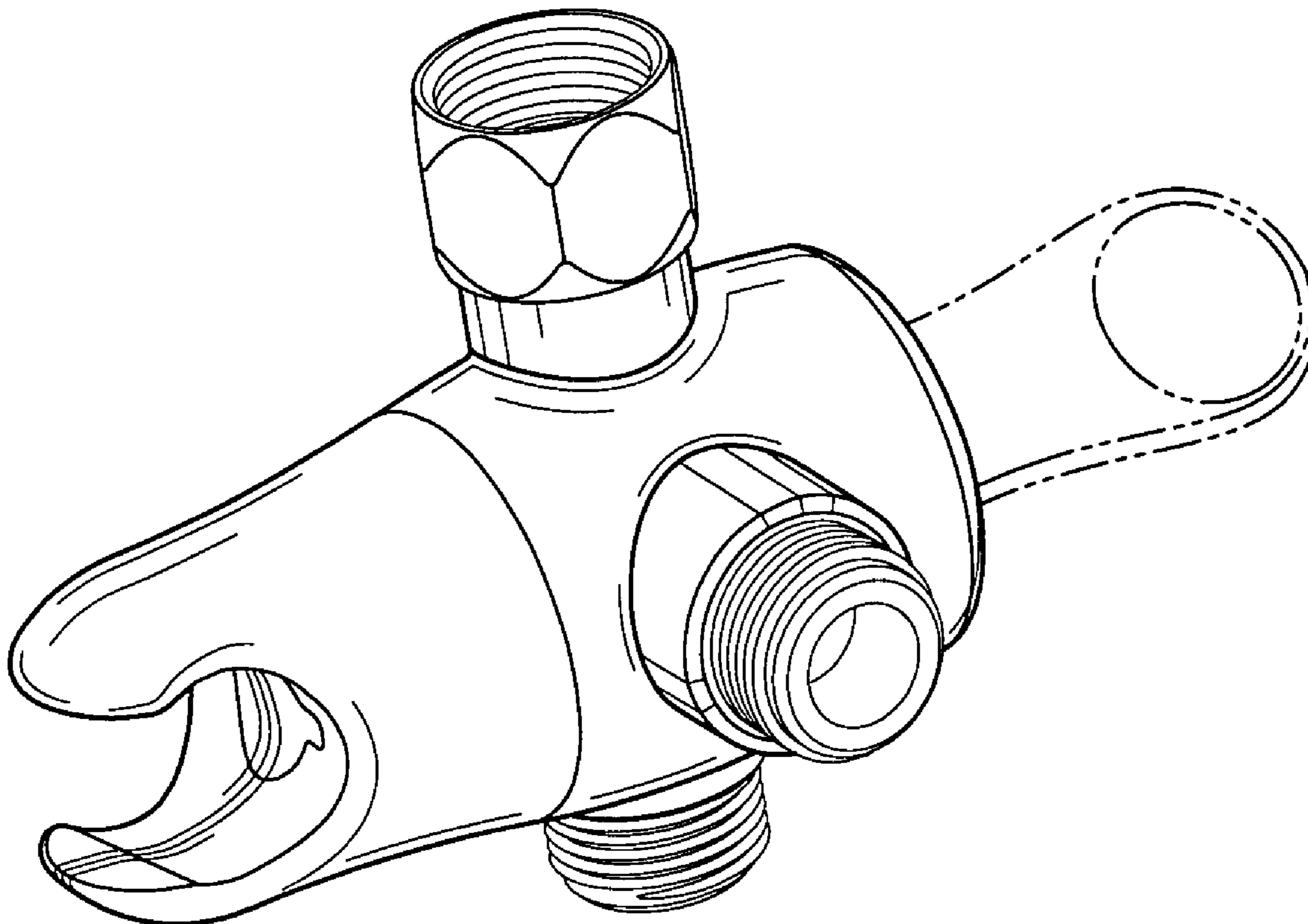
3,461,870 A * 8/1969 Van Linge 4/294
3,979,096 A * 9/1976 Zieger 4/615
D341,191 S * 11/1993 Klose D23/263
D517,669 S * 3/2006 Zieger et al. D23/304
D529,130 S * 9/2006 Landolfi D23/233
D543,093 S * 5/2007 Chan D8/363

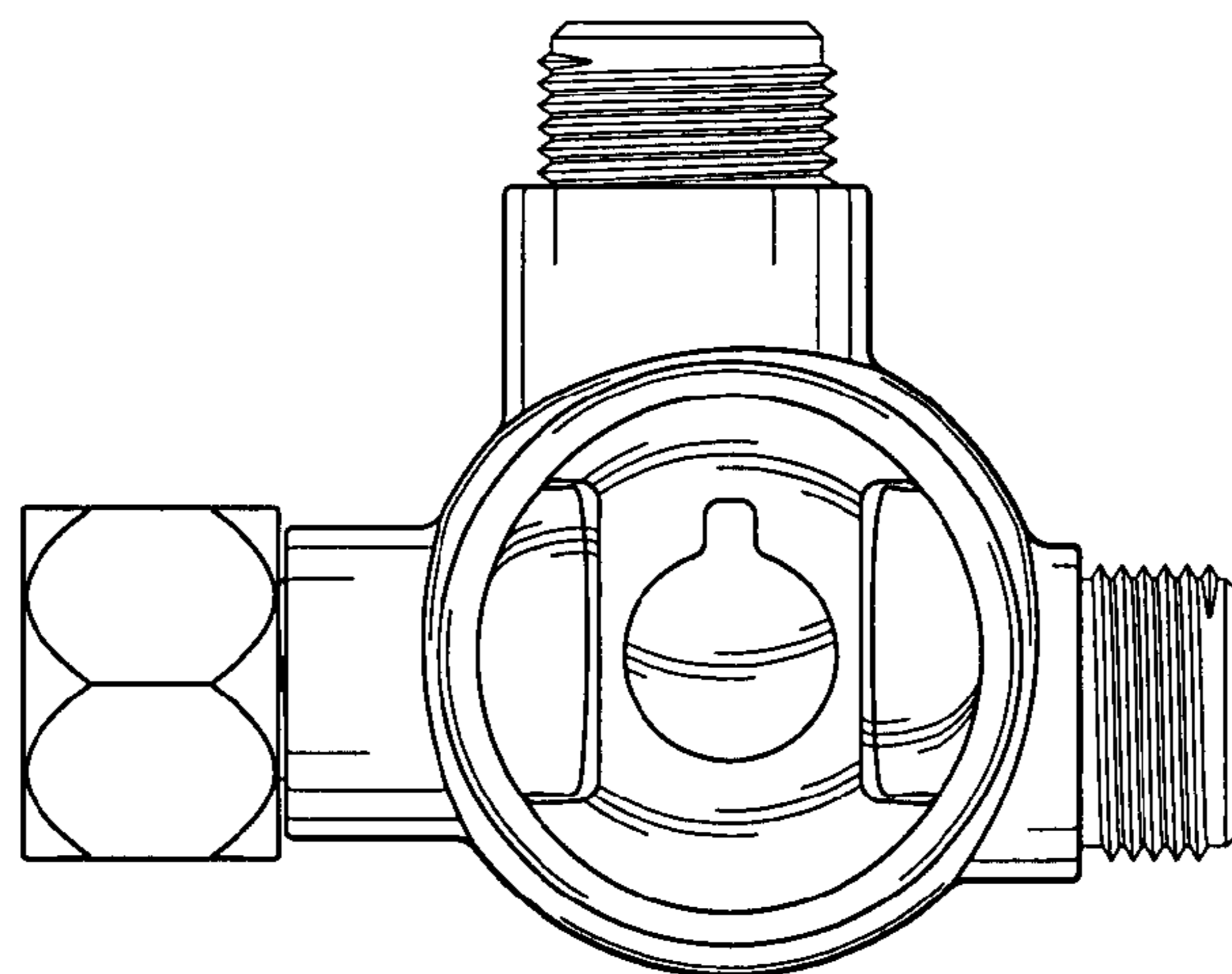
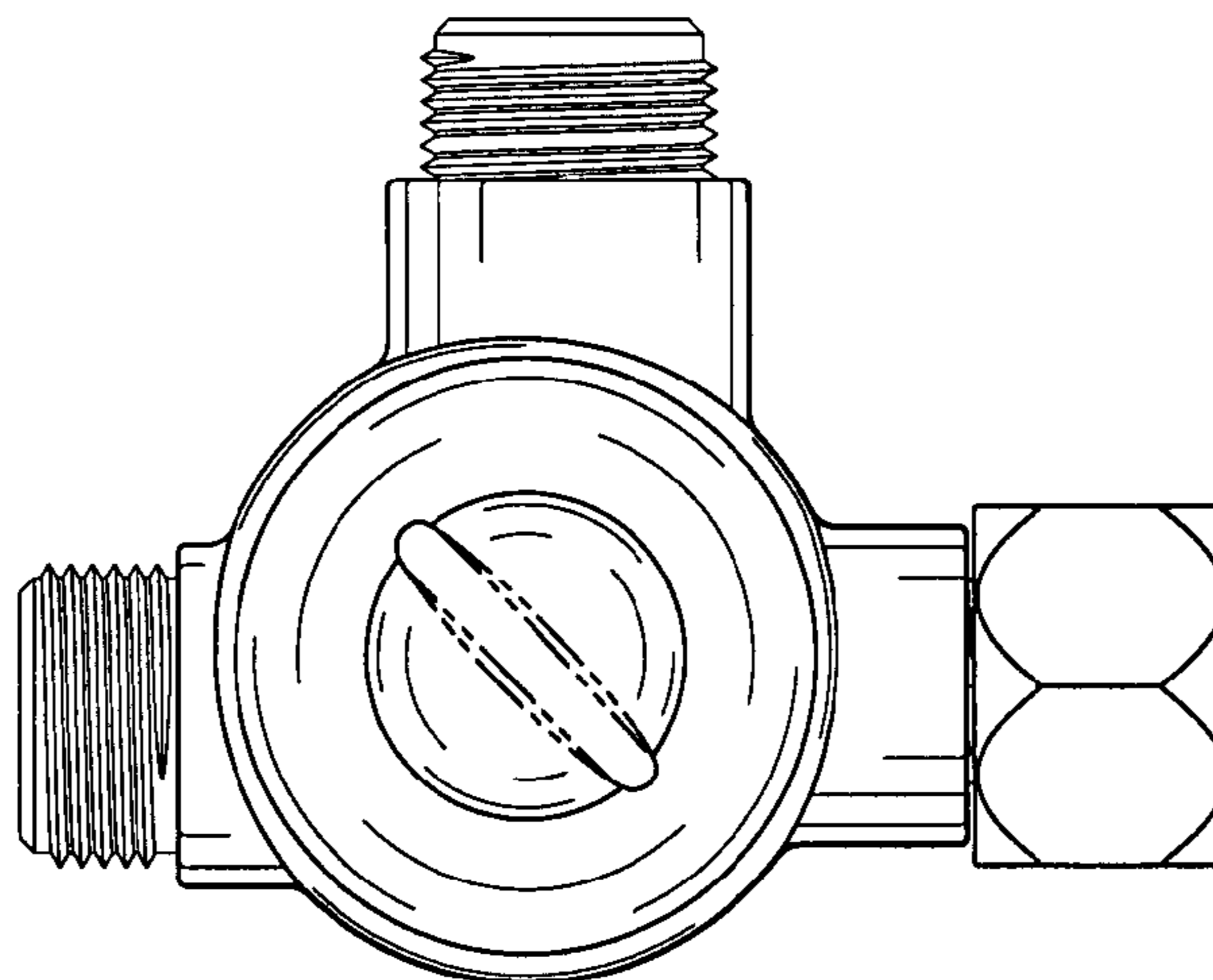
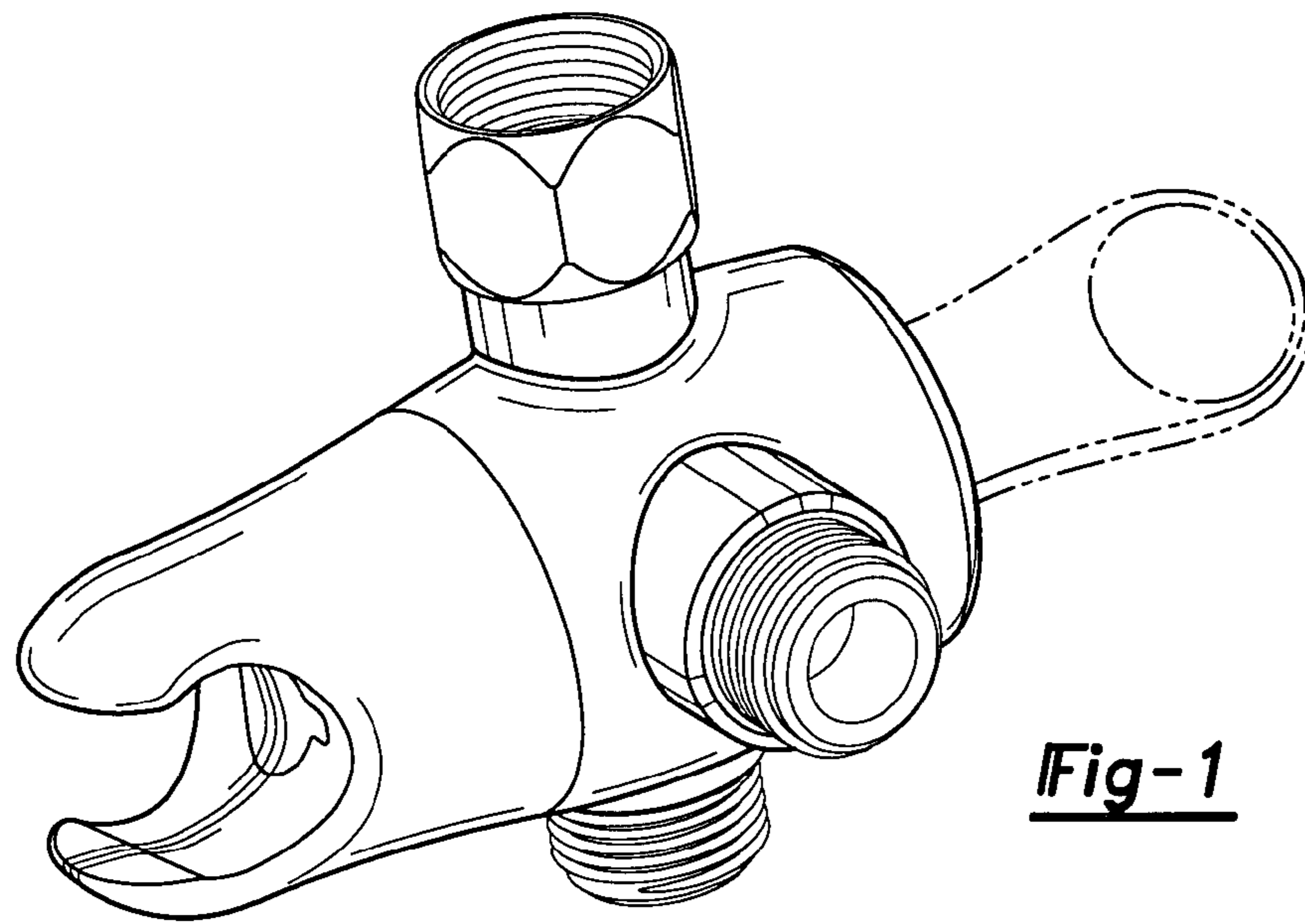
FIG. 6 is a third side view thereof; and,

FIG. 7 is a fourth side view thereof.

The broken line showing of a rear attachment are included for the purpose of illustrating a portion of the diverter valve that forms no part of the claimed design.

1 Claim, 3 Drawing Sheets





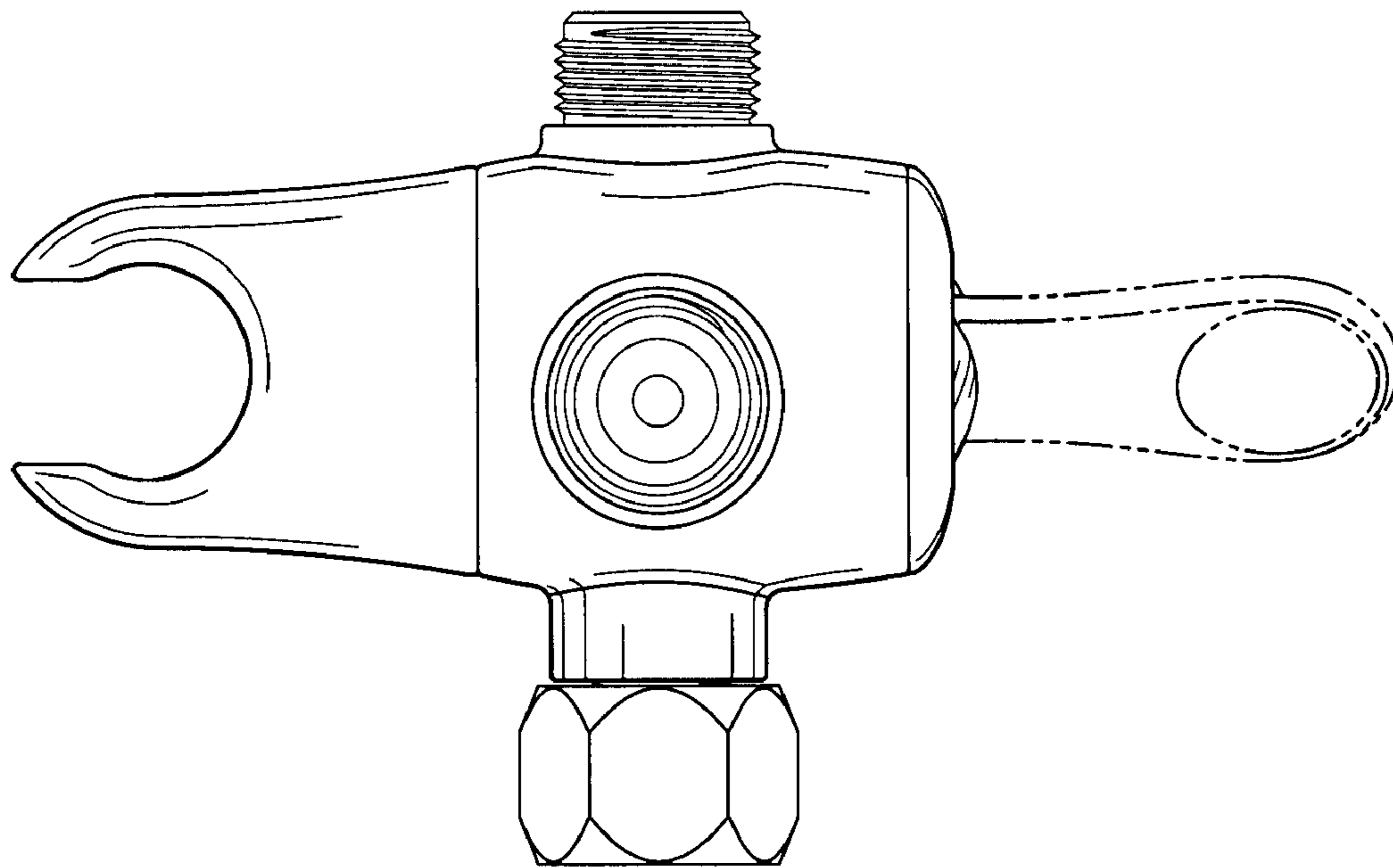


Fig-4

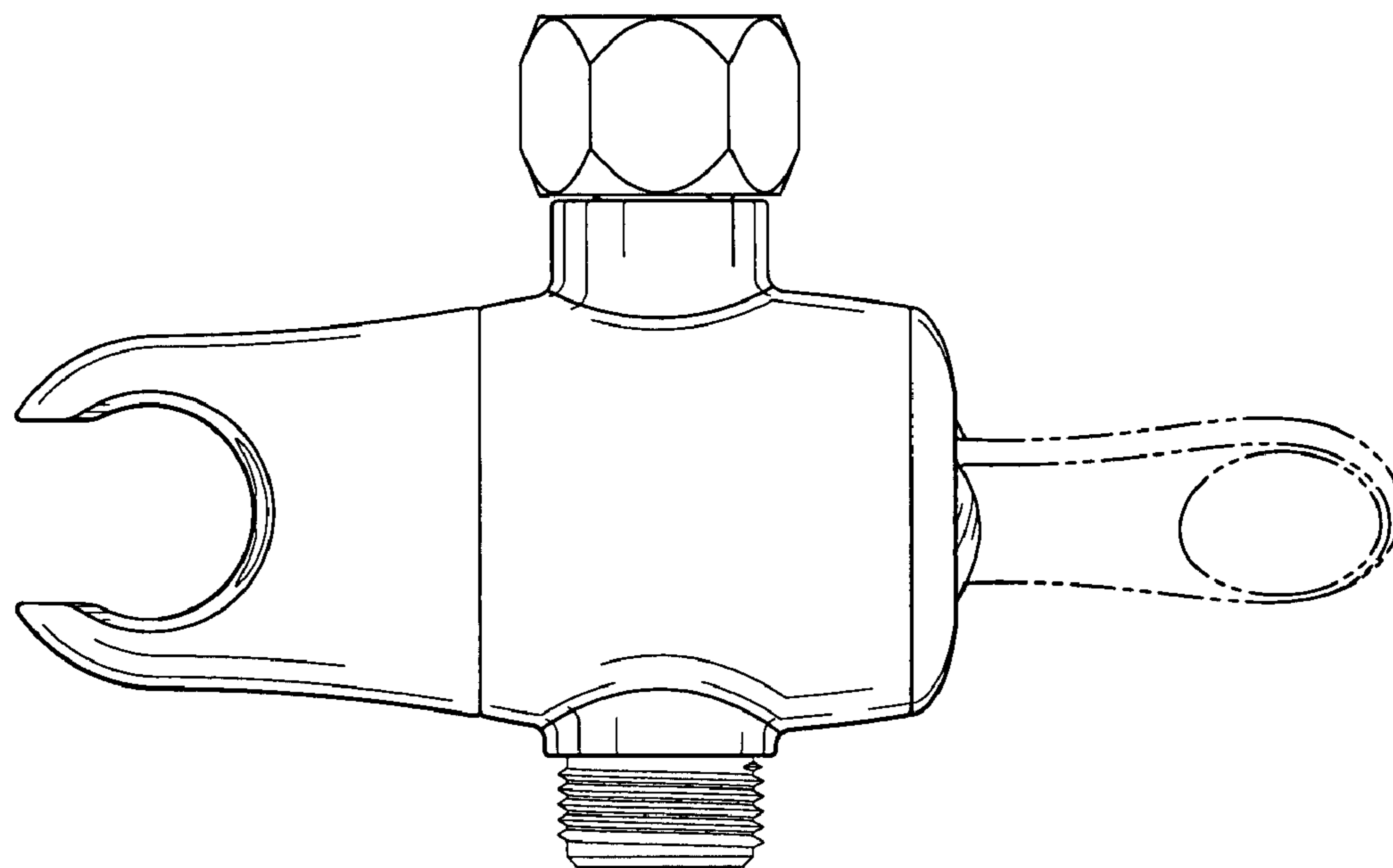


Fig-5

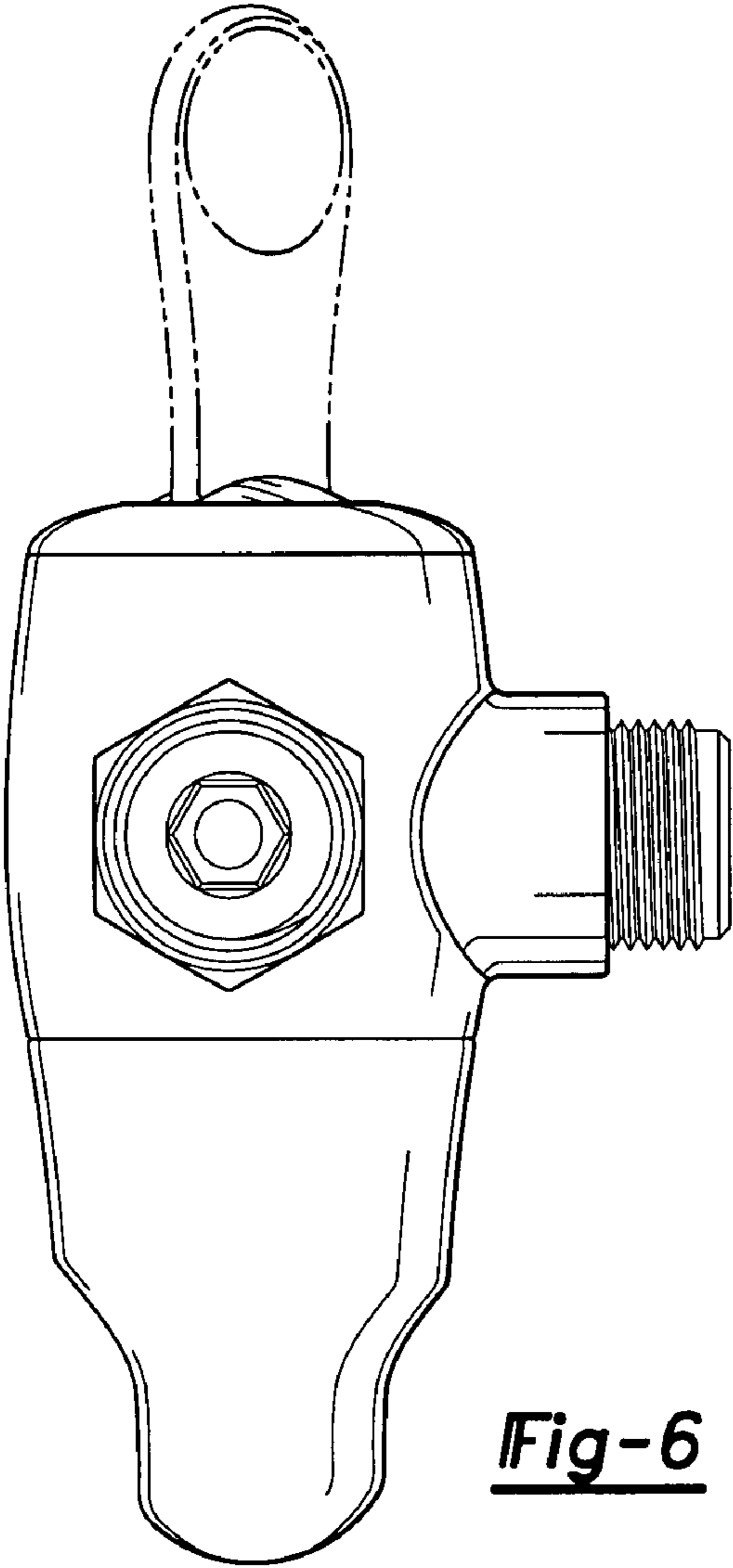


Fig-6

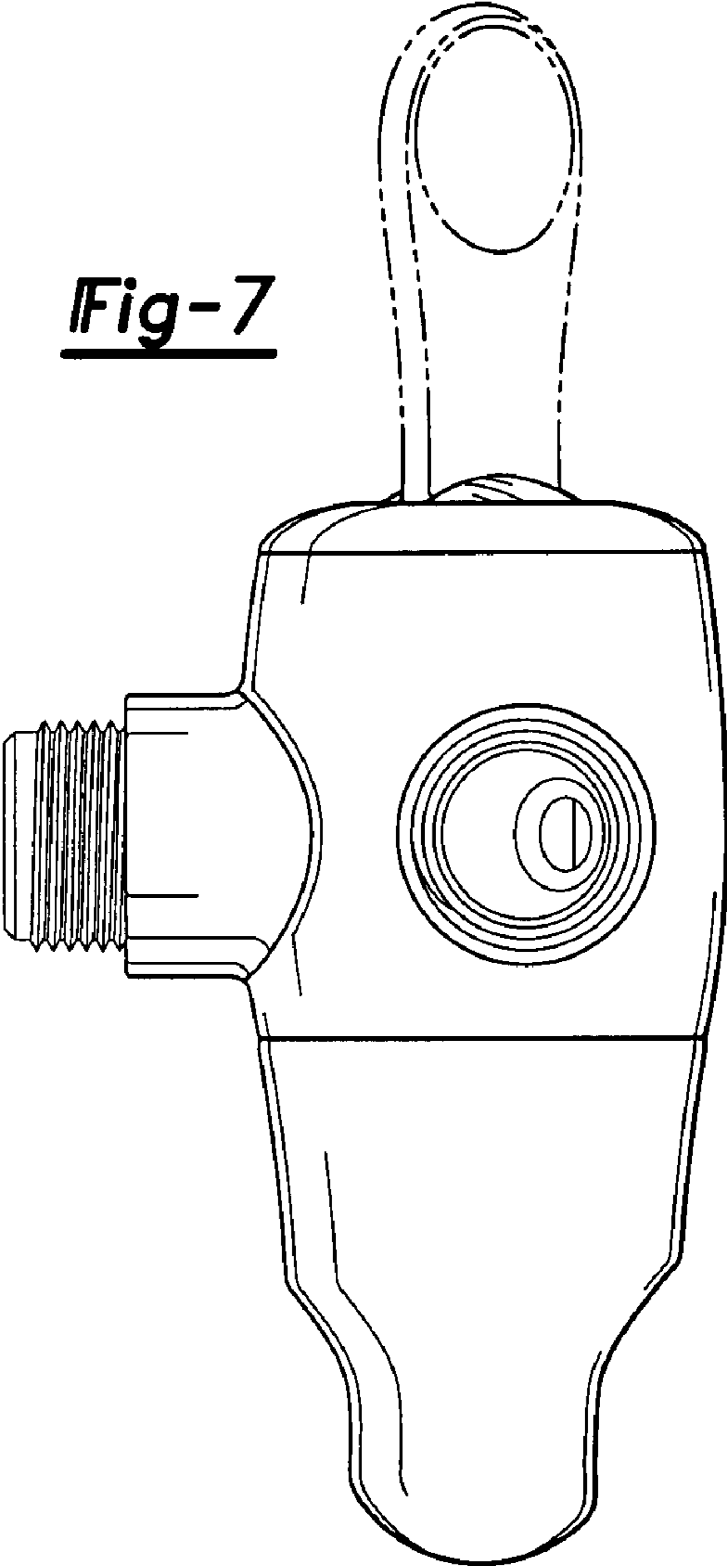


Fig-7