



US00D594525S

(12) **United States Design Patent**
Hodges

(10) **Patent No.:** **US D594,525 S**
(45) **Date of Patent:** **** Jun. 16, 2009**

(54) **SPORT THEME TENT**

(76) Inventor: **Dawn M. Hodges**, 2320 Arkansas Rd.,
West Monroe, LA (US) 71291

(**) Term: **14 Years**

(21) Appl. No.: **29/290,651**

(22) Filed: **Dec. 31, 2007**

(51) **LOC (9) Cl.** **21-04**

(52) **U.S. Cl.** **D21/836**

(58) **Field of Classification Search** D21/334,
D21/335, 357, 712, 834-839; D25/13, 16,
D25/18, 19, 31, 56; 135/87, 90, 99, 100,
135/121, 124-128, 135, 902, 908
See application file for complete search history.

(56) **References Cited**

U.S. PATENT DOCUMENTS

| | | | | |
|--------------|---------|-----------------|-------|---------|
| D257,184 S * | 10/1980 | Peham | | D2/872 |
| D302,720 S * | 8/1989 | Merrill | | D21/835 |
| D303,036 S * | 8/1989 | Giles | | D2/872 |
| D326,495 S * | 5/1992 | Pearce | | D21/835 |
| D352,328 S * | 11/1994 | Boyd | | D21/835 |
| D361,364 S * | 8/1995 | Winters | | D21/835 |
| D366,511 S * | 1/1996 | Coddington, Jr. | | D21/834 |
| D371,415 S * | 7/1996 | Fernandes, Sr. | | D21/838 |
| D474,814 S * | 5/2003 | Conaway | | D21/357 |
| D478,591 S * | 8/2003 | Heard et al. | | D14/403 |

| | | | |
|--------------|---------|---------------|---------------|
| D502,523 S | 3/2005 | Orphan et al. | |
| D510,119 S * | 9/2005 | Brock | D21/835 |
| D511,212 S * | 11/2005 | Whalen | D24/197 |

* cited by examiner

Primary Examiner—Holly H. Baynham

Assistant Examiner—Cynthia M Chin

(74) *Attorney, Agent, or Firm*—Richard C. Litman

(57) **CLAIM**

The ornamental design for a sport theme tent, as shown and described.

DESCRIPTION

FIG. 1 is an environmental perspective view of a sport theme tent showing my new design;

FIG. 2 is a front elevational view thereof;

FIG. 3 is a rear elevational view thereof;

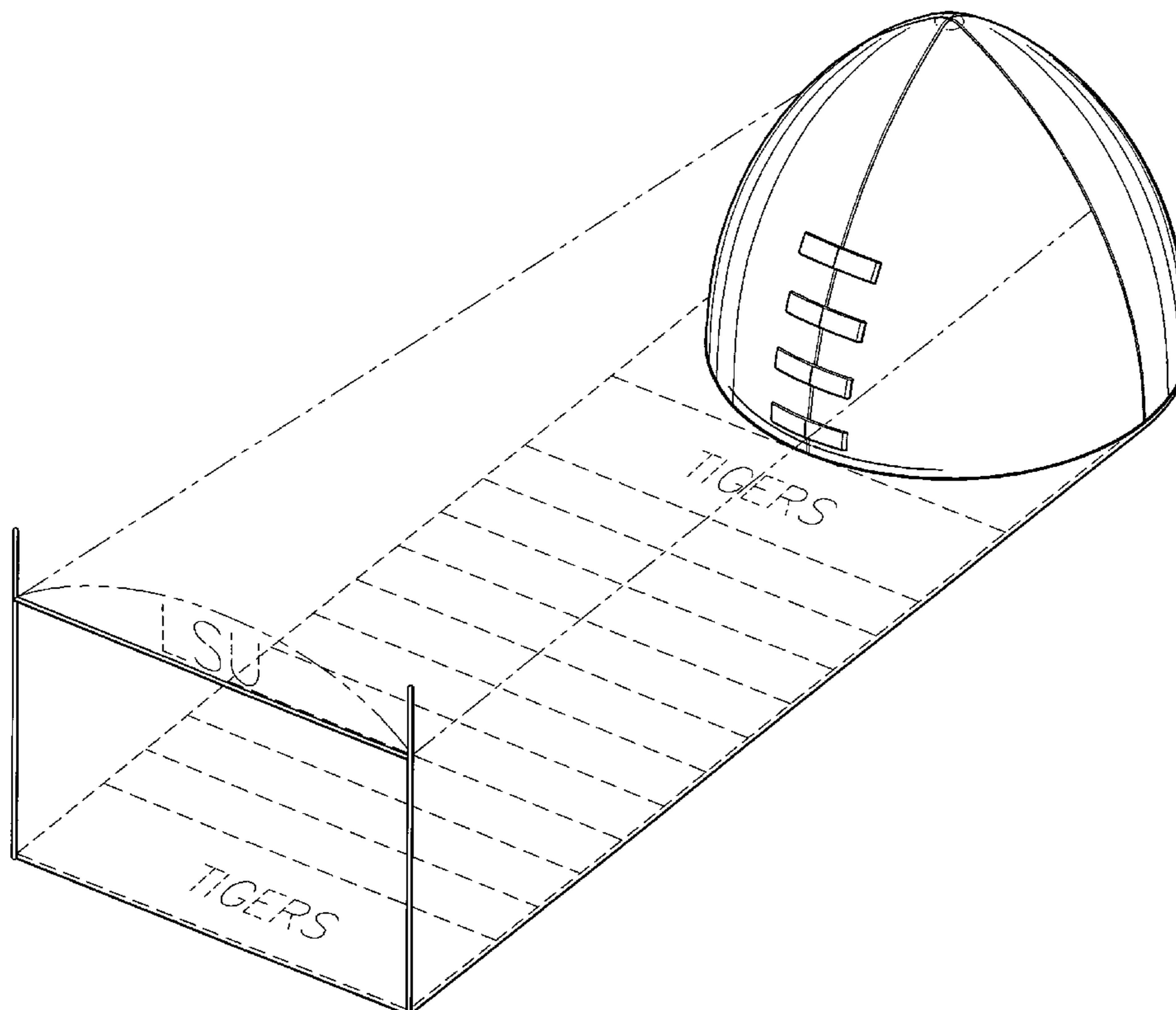
FIG. 4 is a right side elevational view with the left side being a mirror image thereof;

FIG. 5 is a top plan view thereof; and,

FIG. 6 is a bottom plan view thereof.

The broken line showing of the canopy in FIG. 1 and the indicia in FIGS. 1 and 5 is for illustrative purposes only and forms no part of the claimed design. FIGS. 4 and 5 have been shown broken away for ease and clarity of illustration.

1 Claim, 5 Drawing Sheets



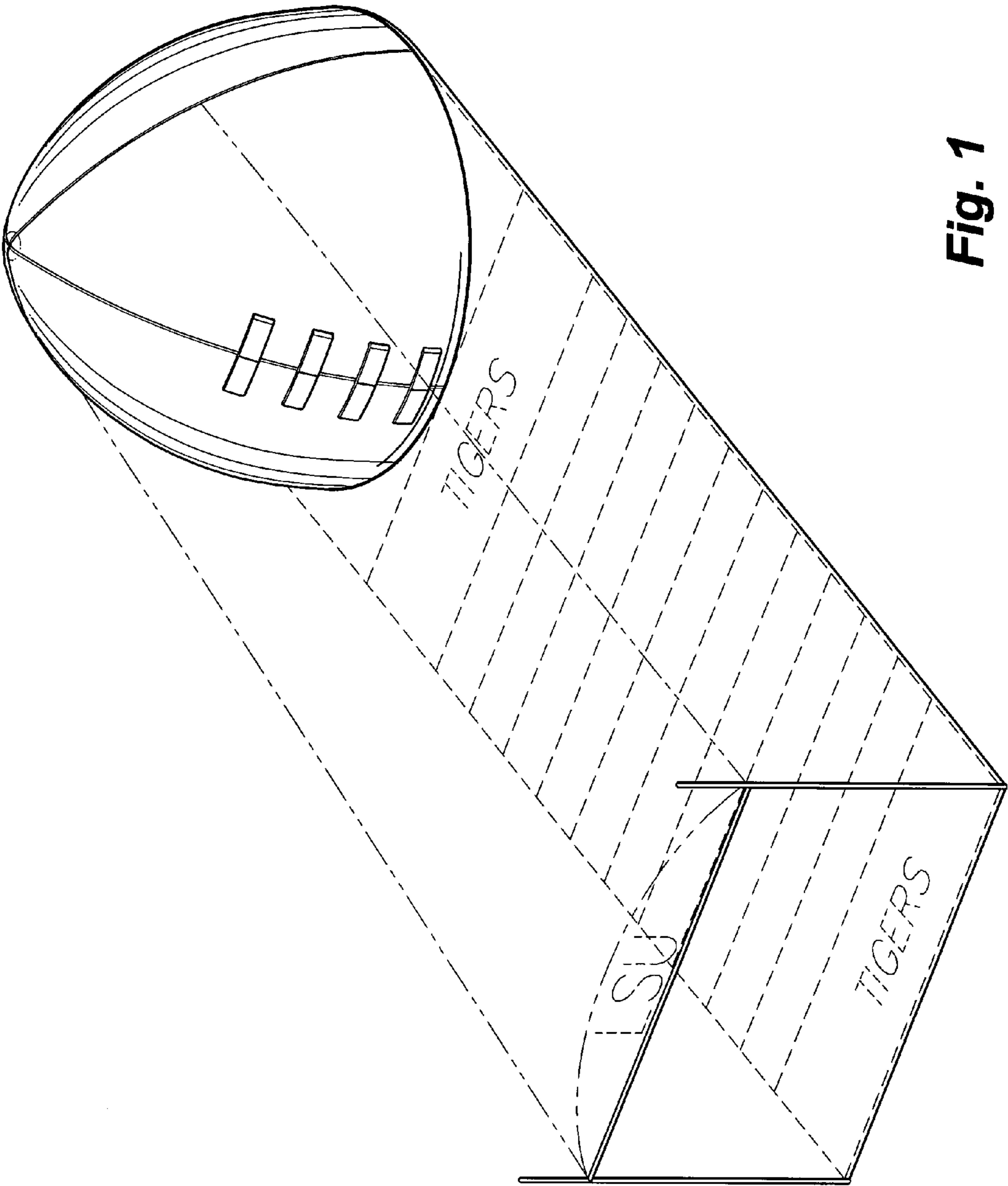


Fig. 1

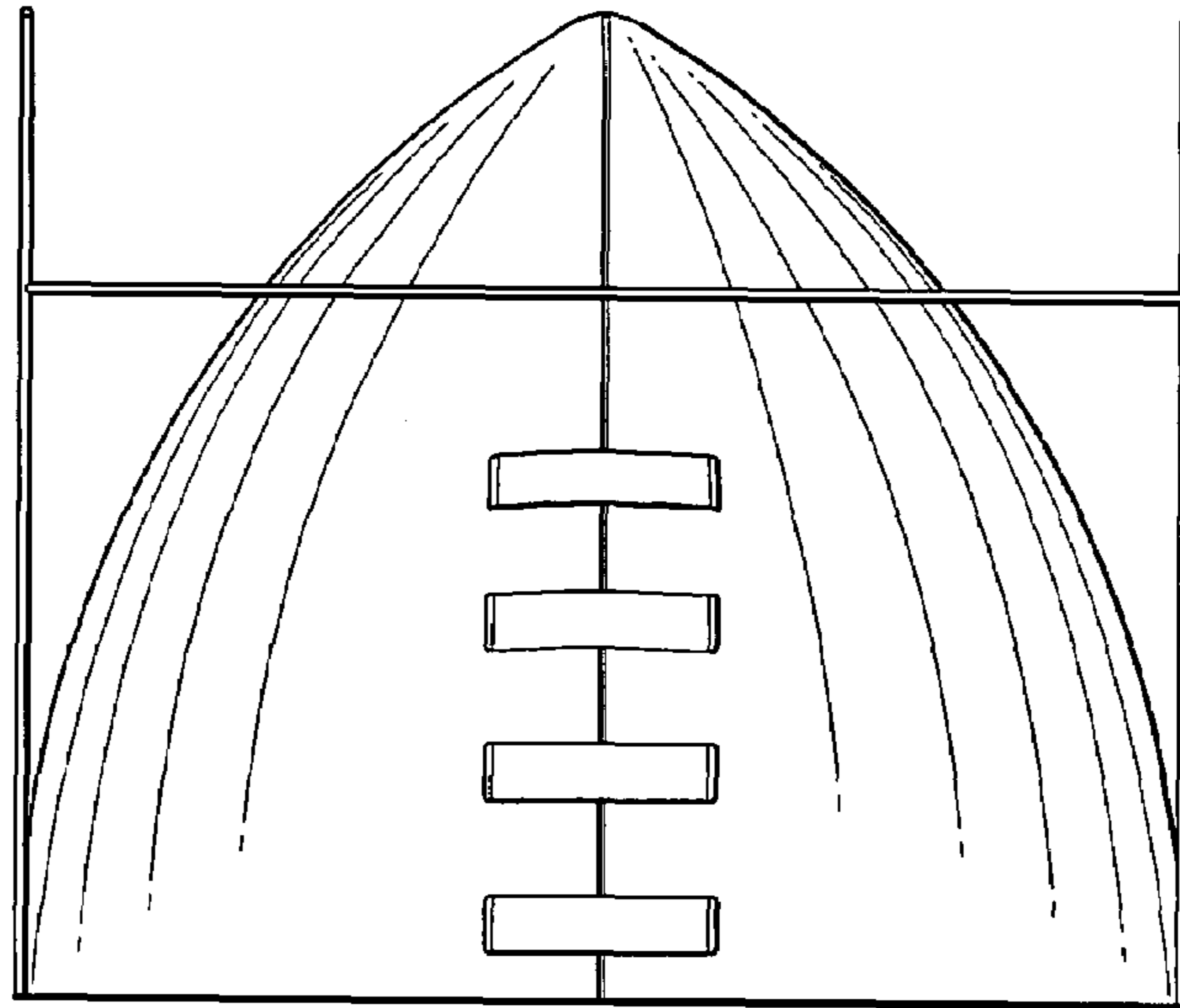


Fig. 2

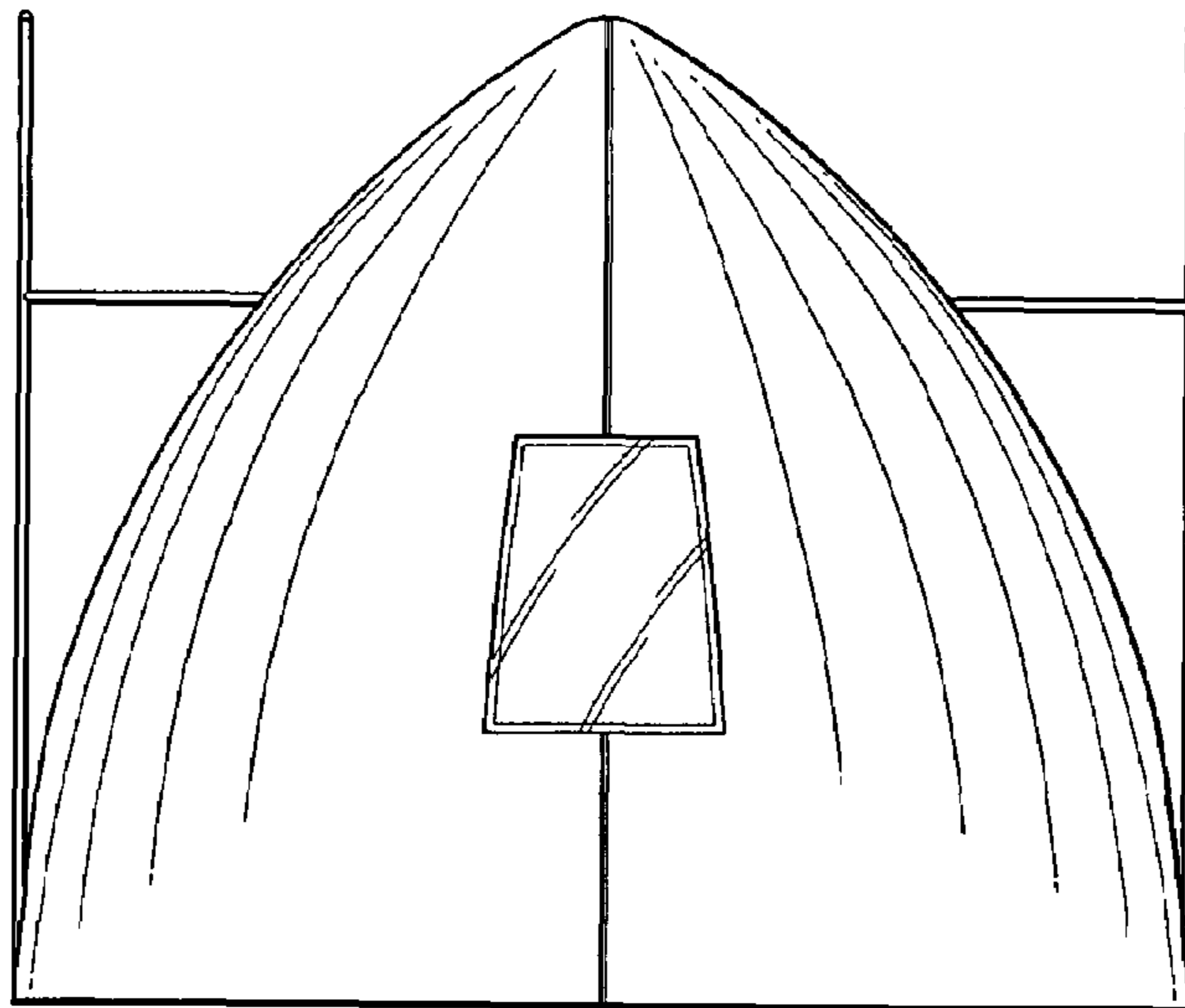


Fig. 3

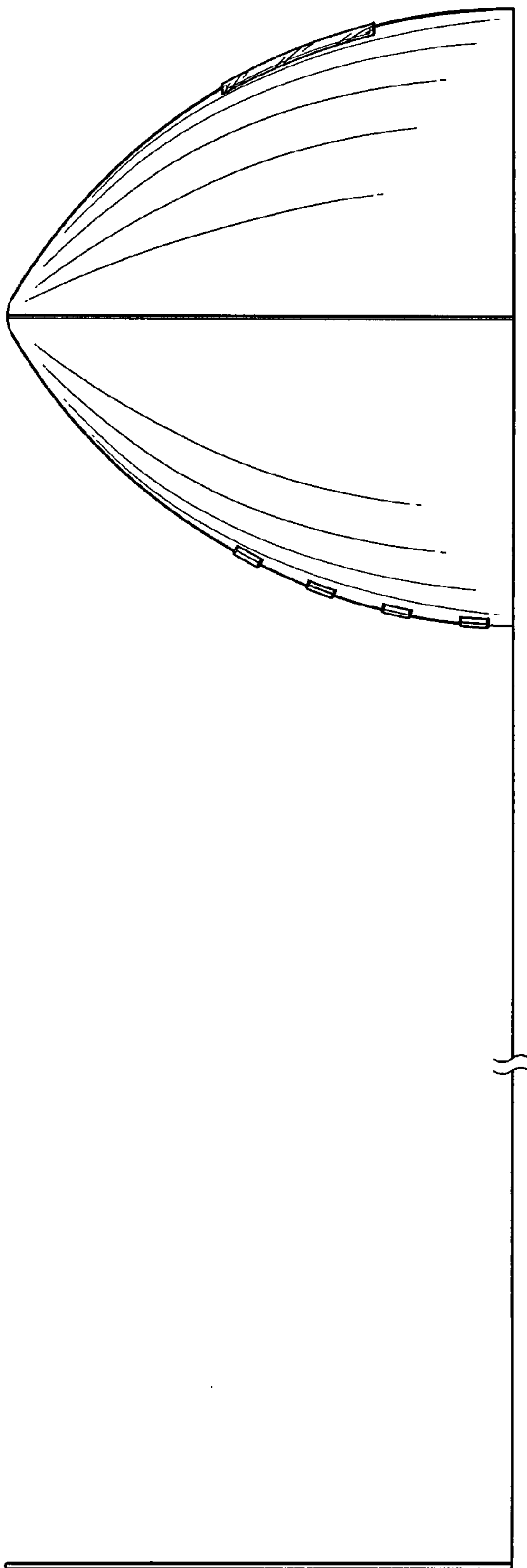


Fig. 4

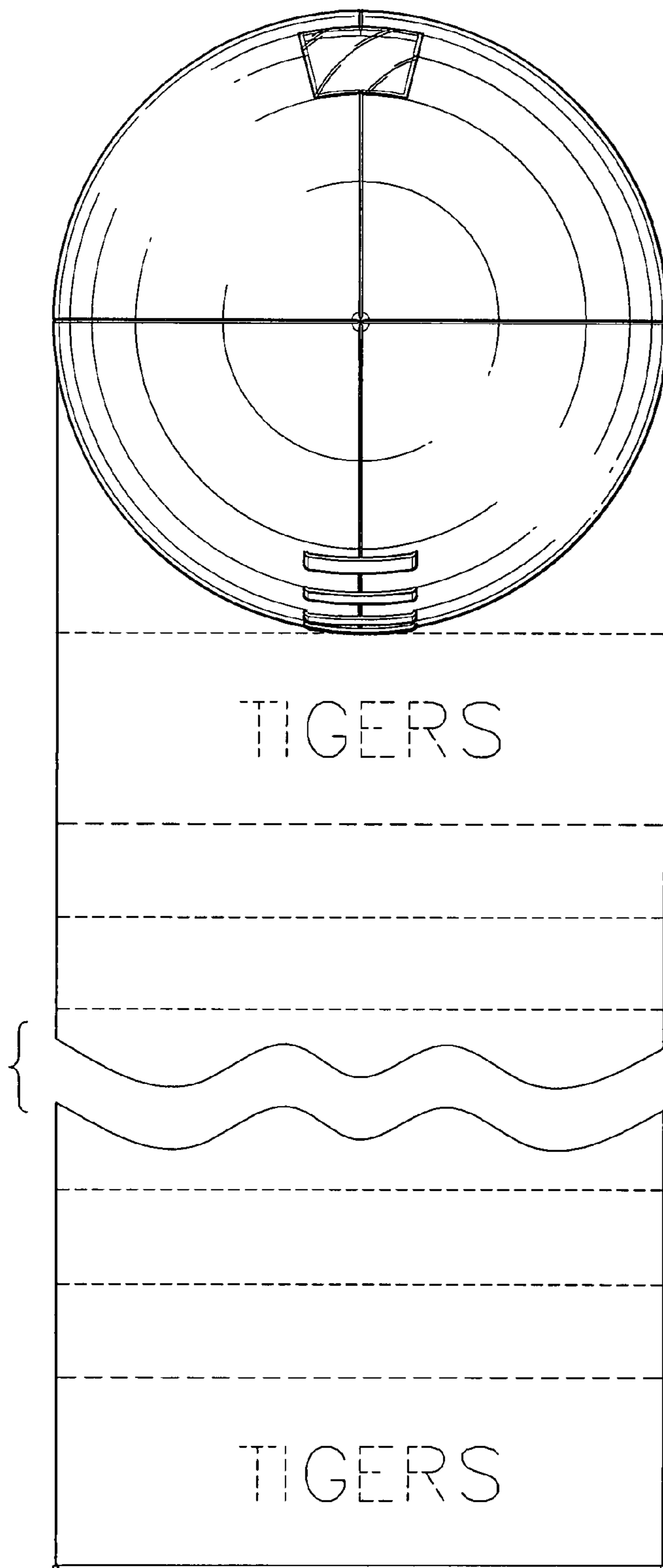


Fig. 5

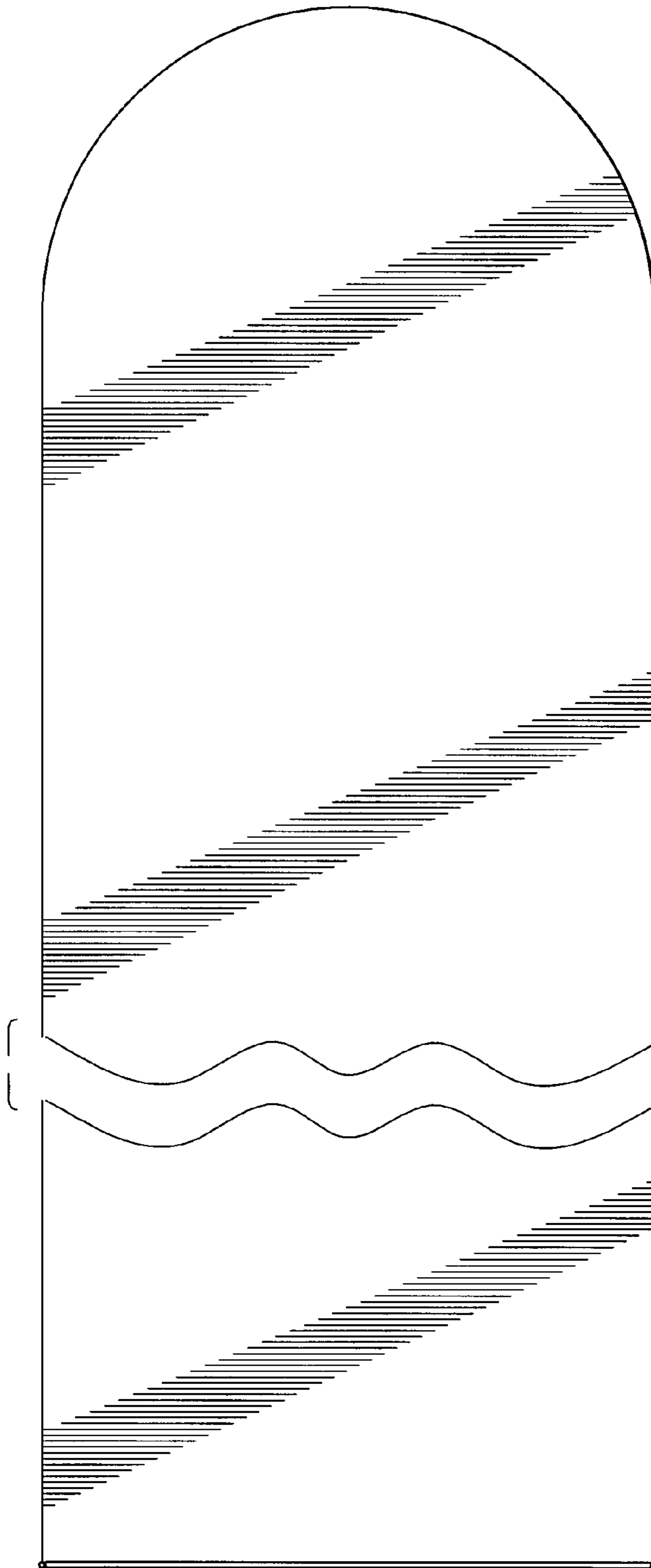


Fig. 6