

US00D594524S

(12) **United States Design Patent**
Oliva

(10) **Patent No.:** **US D594,524 S**
(45) **Date of Patent:** **** Jun. 16, 2009**

(54) **STABILITY FLOAT**

(76) **Inventor:** **Barbara Y. Oliva**, 4111 NW. 37th Ave.,
E504, Miami, FL (US) 33142

(**) **Term:** **14 Years**

(21) **Appl. No.:** **29/325,101**

(22) **Filed:** **Sep. 25, 2008**

(51) **LOC (9) Cl.** **21-02**

(52) **U.S. Cl.** **D21/803**

(58) **Field of Classification Search** D21/769-770,
D21/801, 803, 809; D6/392, 596, 601, 604;
472/128-129; D12/5, 6, 316; 114/253, 345-346;
441/35, 66, 40-42, 129-132

See application file for complete search history.

(56) **References Cited**

U.S. PATENT DOCUMENTS

3,858,877	A *	1/1975	Lundstrom	473/14
4,019,214	A	4/1977	Shaw		
4,729,331	A *	3/1988	Eggleston	114/230.26
4,775,346	A *	10/1988	Gunter et al.	441/129
4,913,672	A	4/1990	Martin		
D308,403	S	6/1990	LaForce, Jr.		
4,989,531	A *	2/1991	Humphrey	114/249
D329,486	S *	9/1992	Park	D21/803
5,406,653	A	4/1995	Todor		
5,460,113	A	10/1995	Gunter		
5,613,457	A *	3/1997	Frank et al.	114/218
5,810,632	A *	9/1998	Huston, III	441/129

D399,288	S *	10/1998	Jacobsmeier	D21/803
5,853,309	A	12/1998	Biggs		
D430,083	S *	8/2000	Spearin	D12/168
6,171,160	B1 *	1/2001	Skaggs et al.	441/129
D449,719	S *	10/2001	Nylen	D30/151
6,475,048	B2 *	11/2002	Gredy	441/129
6,666,161	B1	12/2003	Cannon et al.		

* cited by examiner

Primary Examiner—Janice E Seeger
Assistant Examiner—Zenia I Bennett

(57) **CLAIM**

The ornamental design for a stability float, as shown and described.

DESCRIPTION

FIG. 1 is a perspective view of a stable float;

FIG. 2 is a side view thereof;

FIG. 3 is a side view thereof;

FIG. 4 is a top view thereof;

FIG. 5 is a bottom view thereof;

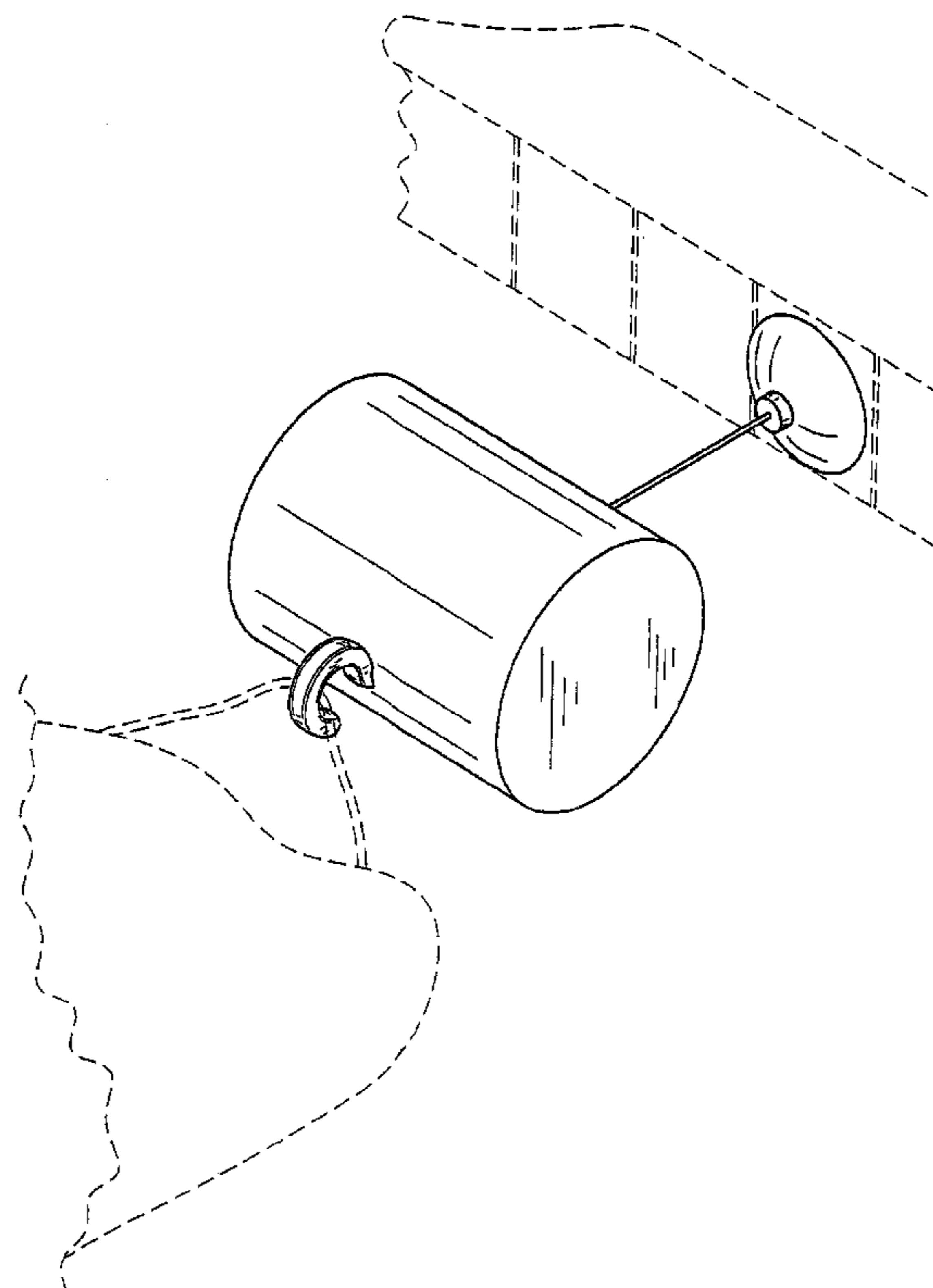
FIG. 6 is a front view thereof;

FIG. 7 is a back view thereof; and,

FIG. 8 is a perspective view thereof.

The broken lines in the drawing are for illustrative purposes only and form no part of the claimed design.

1 Claim, 4 Drawing Sheets



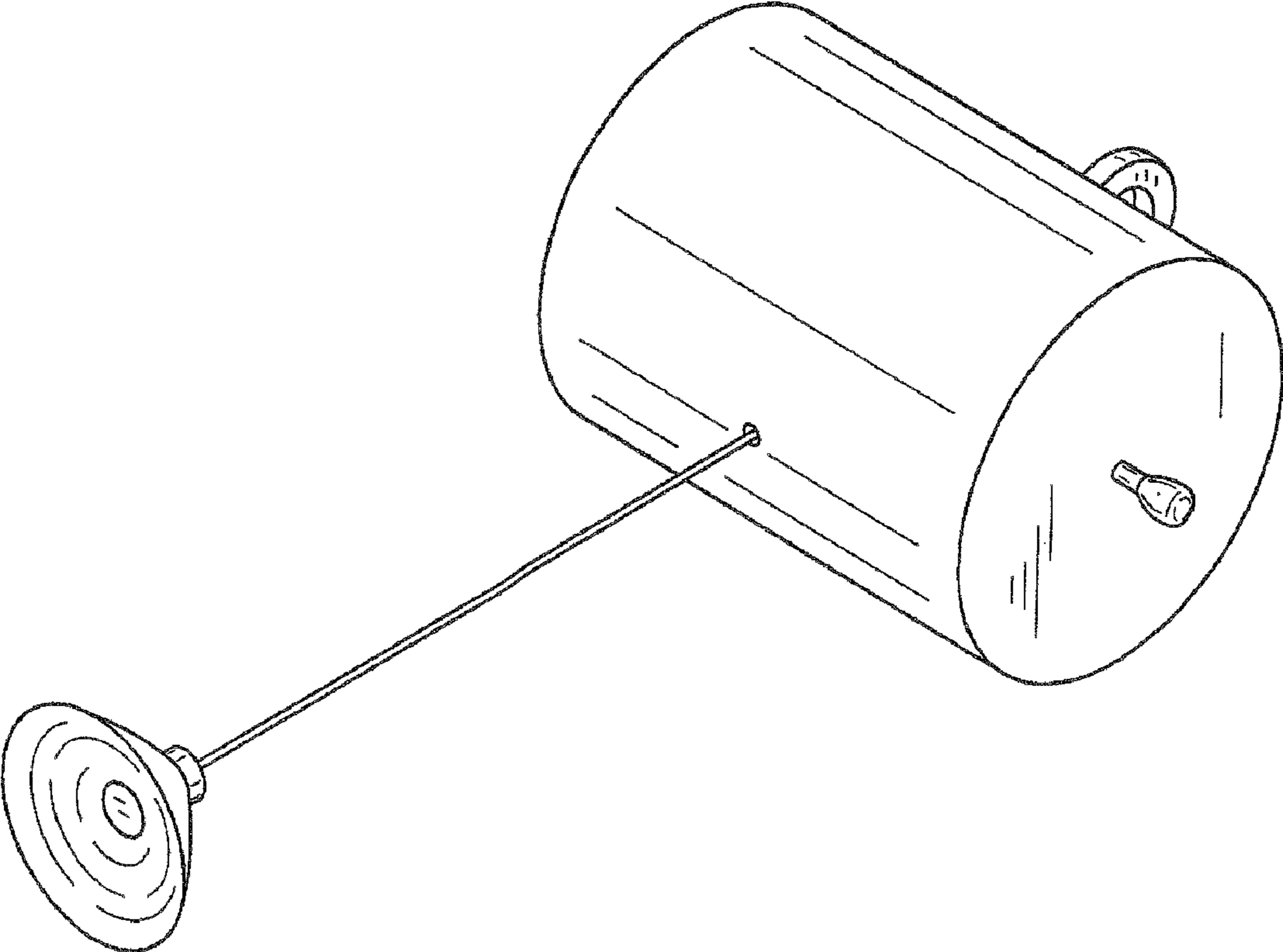


FIG. 1

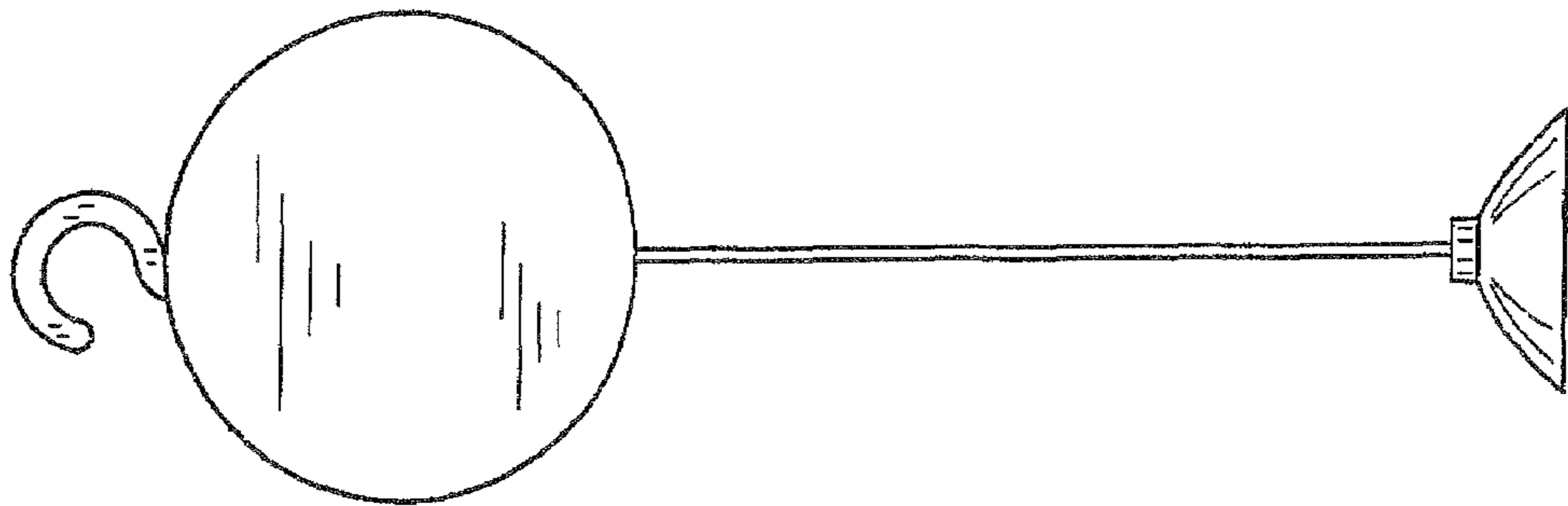


FIG. 2

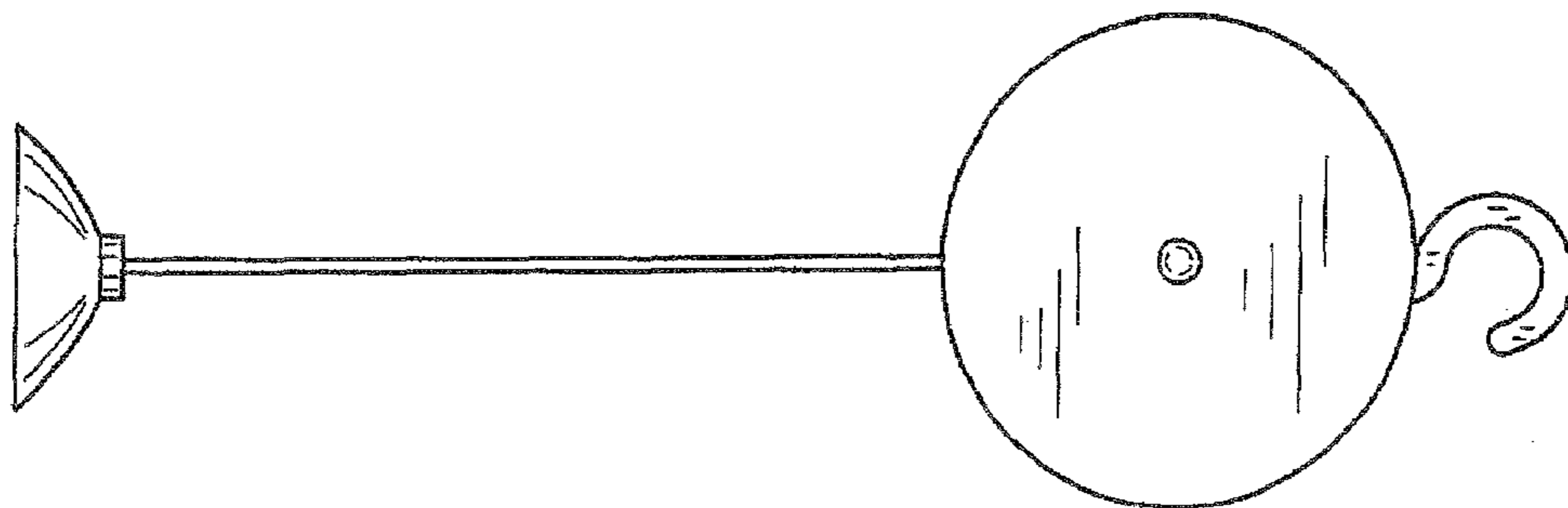


FIG. 3

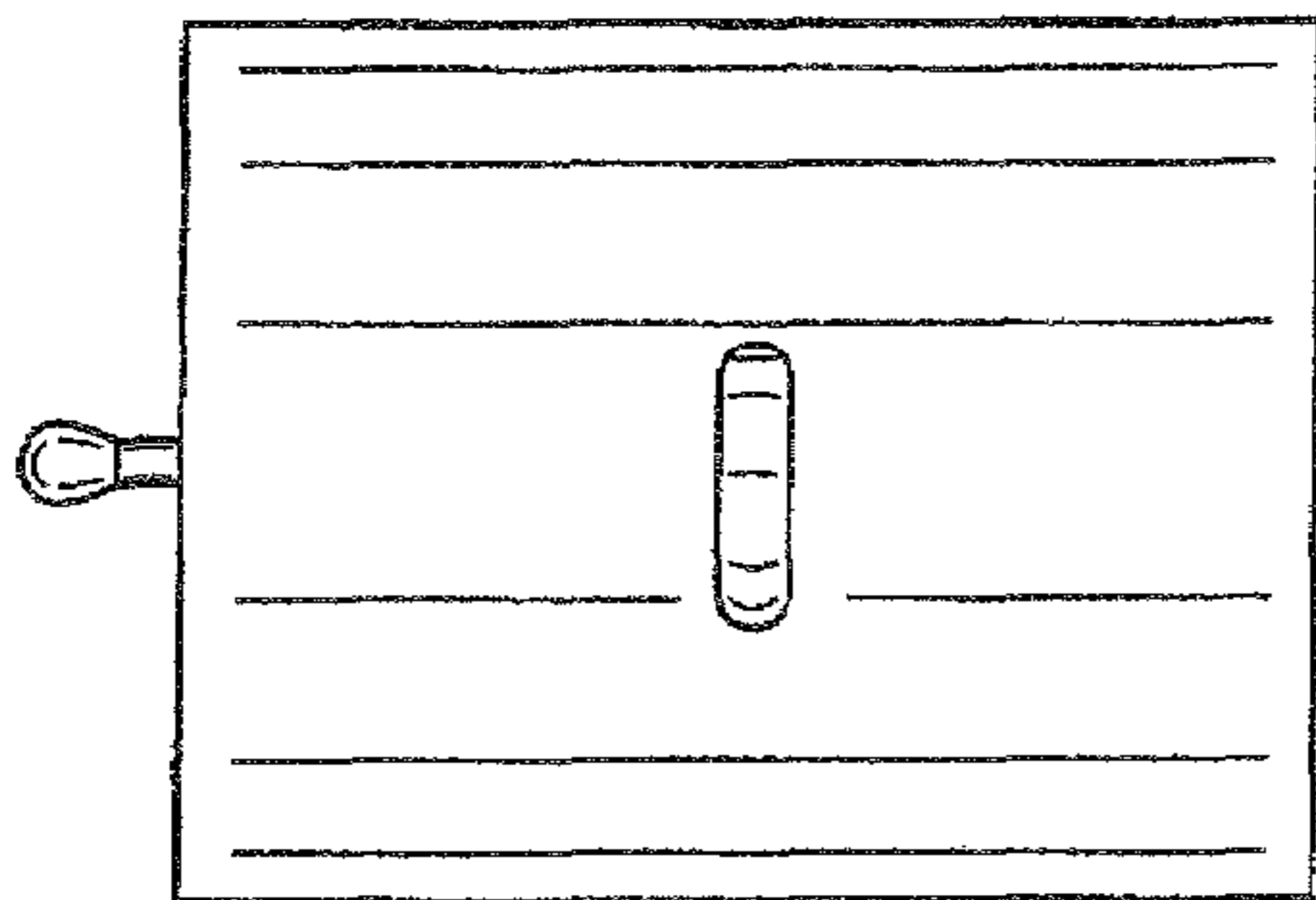


FIG. 4

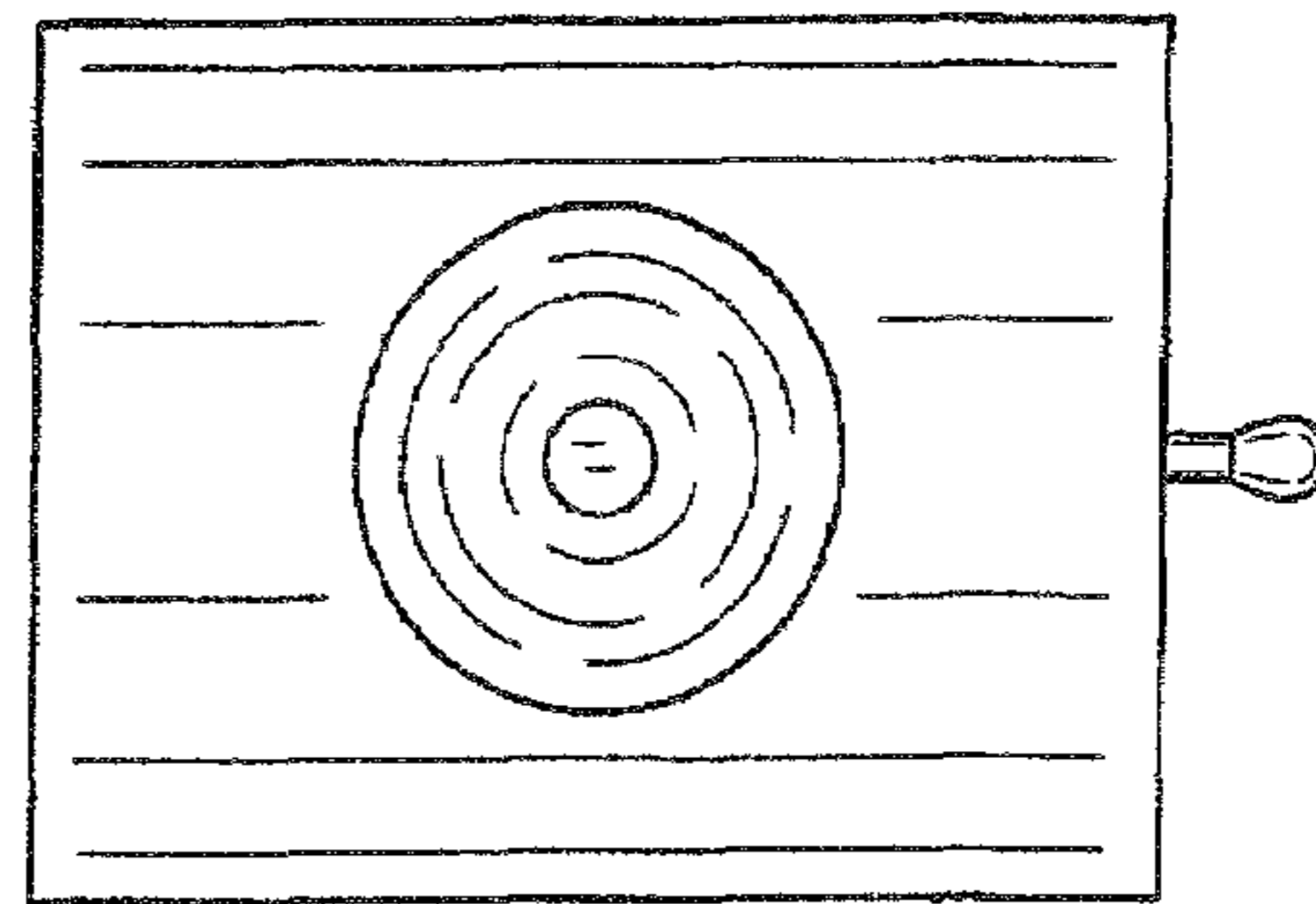


FIG. 5

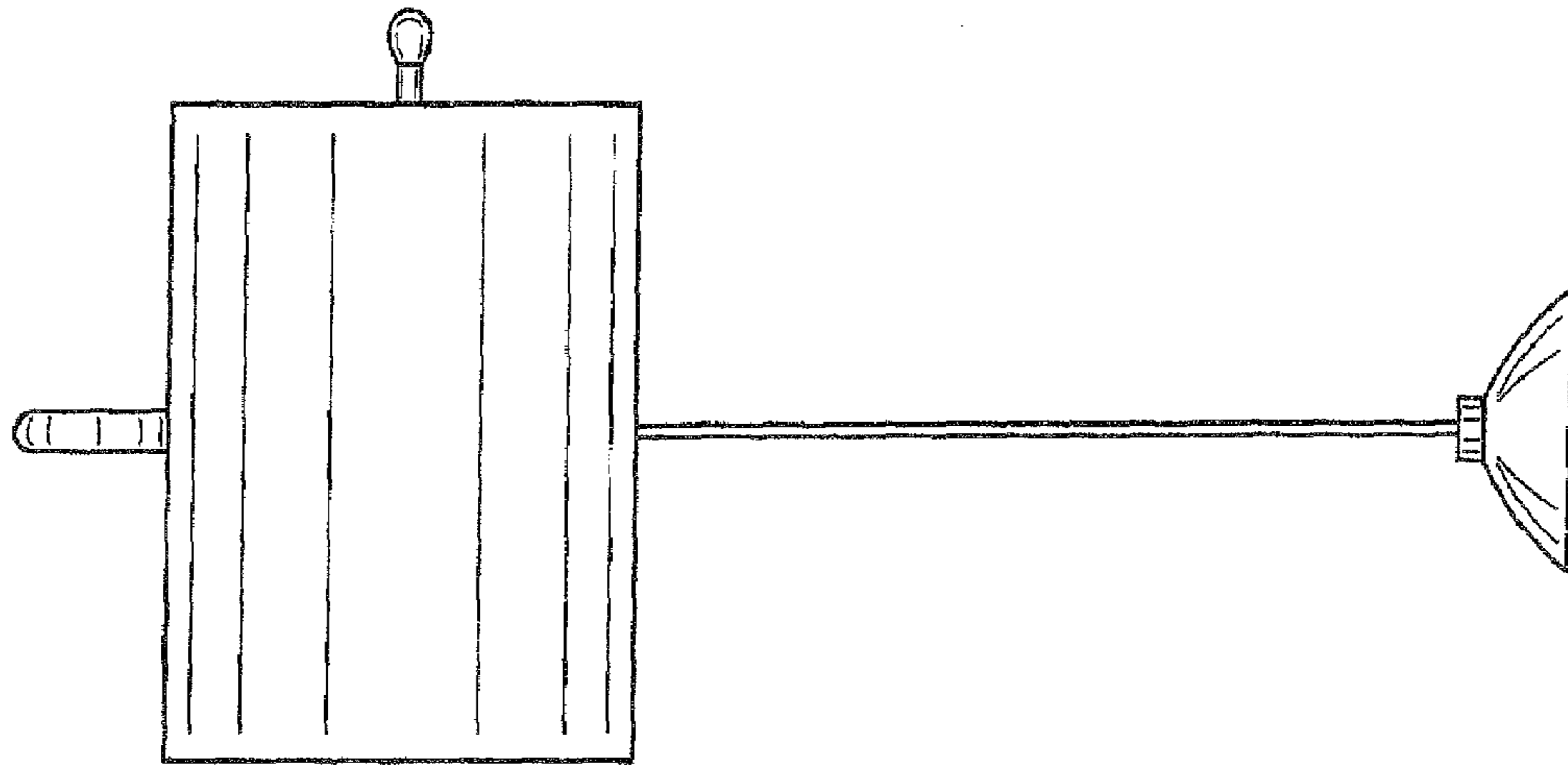


FIG. 6

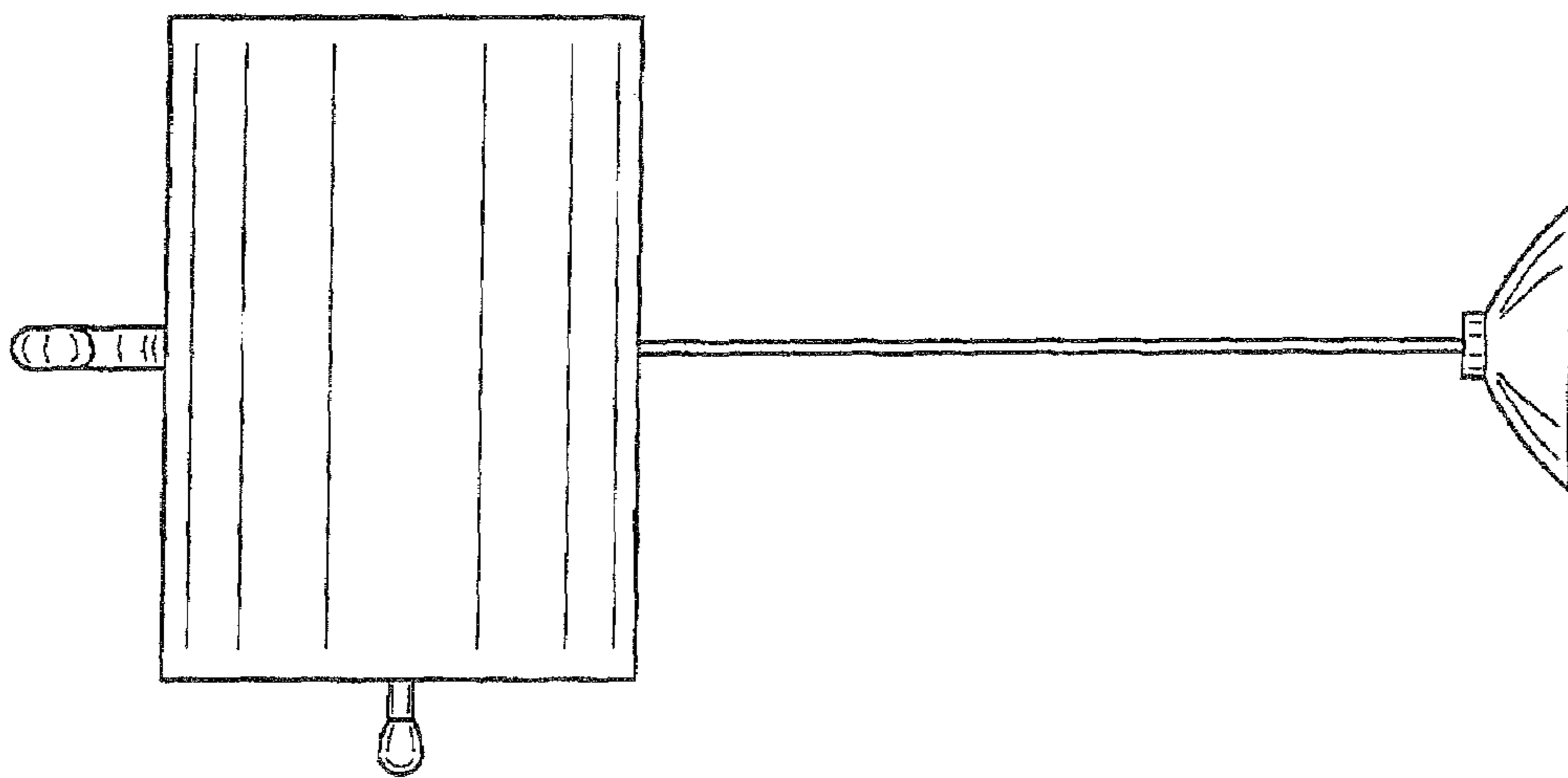


FIG. 7

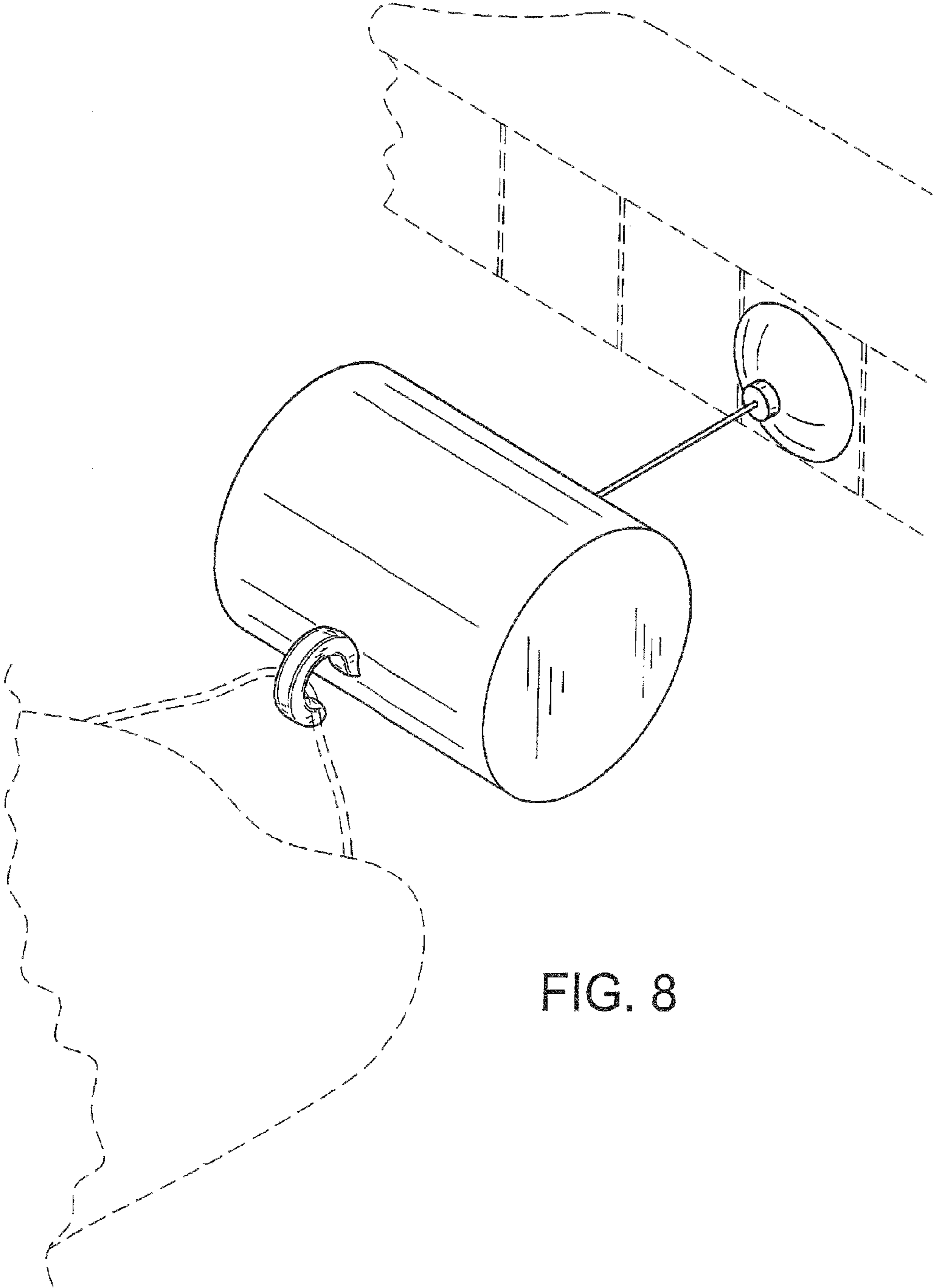


FIG. 8