



US00D594523S

(12) **United States Design Patent**
Uhrig et al.

(10) **Patent No.:** **US D594,523 S**
(45) **Date of Patent:** **** Jun. 16, 2009**

(54) **GOLF DISTANCE MARKER**

(76) Inventors: **Seth Uriah Uhrig**, 588 N. San Marcos Rd., Santa Barbara, CA (US) 93111;
Sergio Villa, 7337 Hillsboro St., Goleta, CA (US) 93117

(**) Term: **14 Years**

(21) Appl. No.: **29/308,243**

(22) Filed: **Jun. 6, 2008**

(51) **LOC (9) Cl.** **21-02**

(52) **U.S. Cl.** **D21/794**

(58) **Field of Classification Search** D21/789,
D21/794; D23/227; 473/285, 407, 406;
239/71, 201; D10/70

See application file for complete search history.

(56) **References Cited**

U.S. PATENT DOCUMENTS

5,451,000	A	*	9/1995	Shaw et al.	239/71
D391,340	S	*	2/1998	Bernatz	D23/227
D420,085	S	*	2/2000	Bernatz	D21/794
D488,528	S	*	4/2004	Kennedy	D21/793
D506,152	S	*	6/2005	Dombrowski	D10/70

D530,767	S	*	10/2006	Davis et al.	D21/794
D540,902	S	*	4/2007	Regalado	D21/794
D560,739	S	*	1/2008	Bernatz	D21/794
D583,893	S	*	12/2008	Ruff	D21/794

* cited by examiner

Primary Examiner—Mitchell I Siegel

(74) *Attorney, Agent, or Firm*—Stephen D. Carver

(57) **CLAIM**

The ornamental design for a golf distance marker, as shown and described.

DESCRIPTION

FIG. 1 is an isometric view showing or new design;

FIG. 2 is a bottom isometric view thereof;

FIG. 3 is a left side elevational view thereof;

FIG. 4 is a right side elevational view thereof;

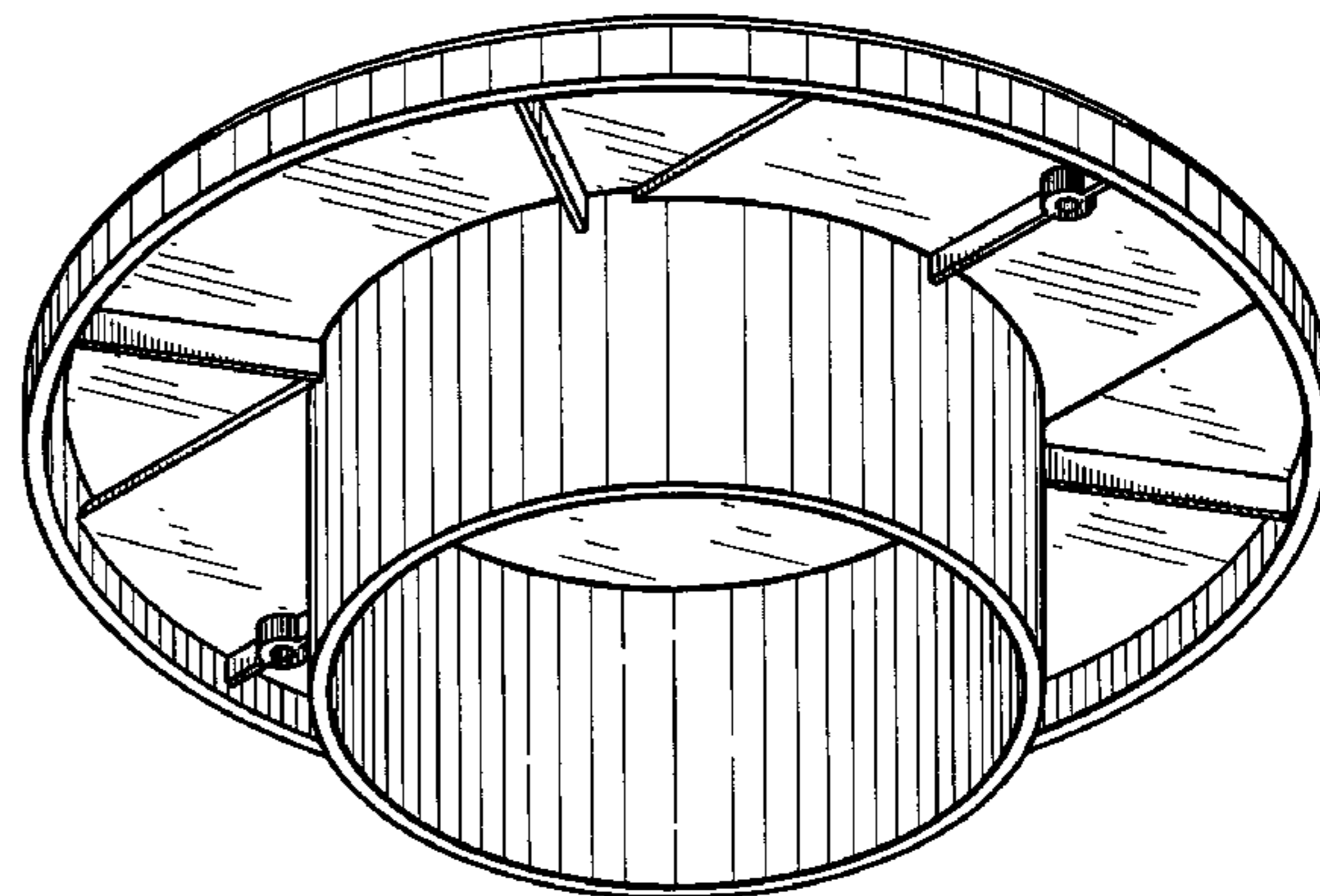
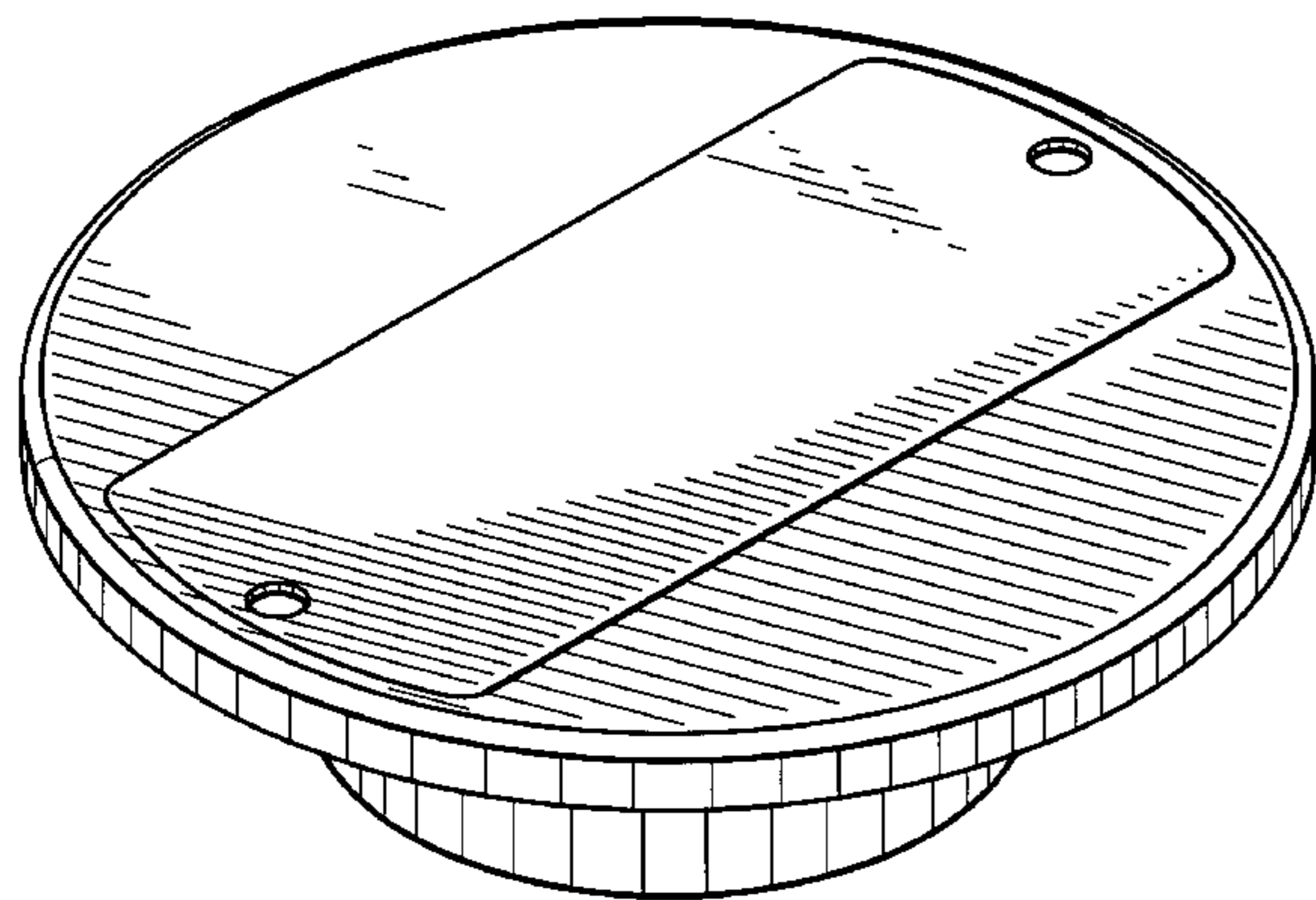
FIG. 5 is a front view thereof;

FIG. 6 is a top plan view thereof;

FIG. 7 is a bottom plan view thereof; and,

FIG. 8 is a rear view thereof.

1 Claim, 5 Drawing Sheets



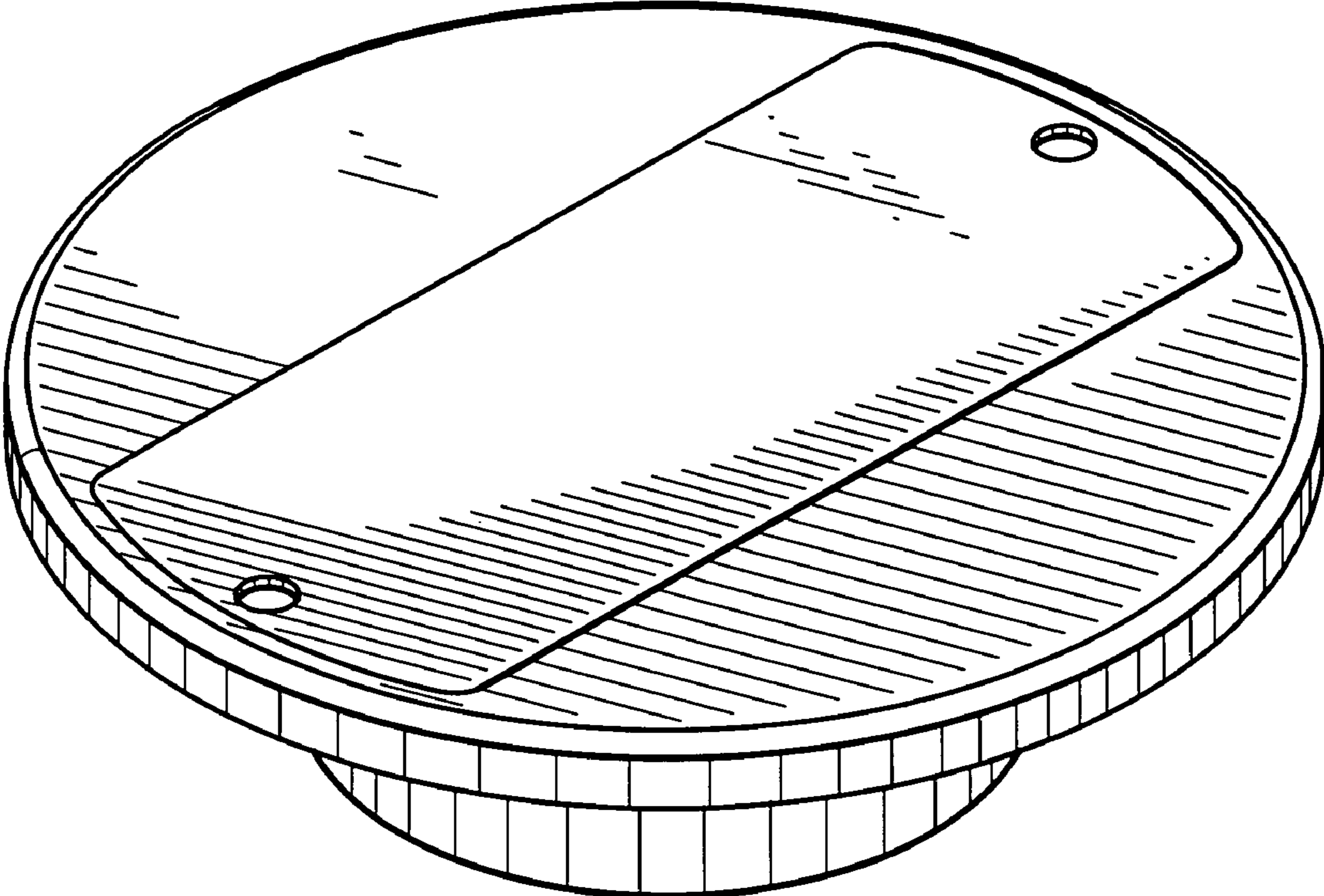


Fig. 1

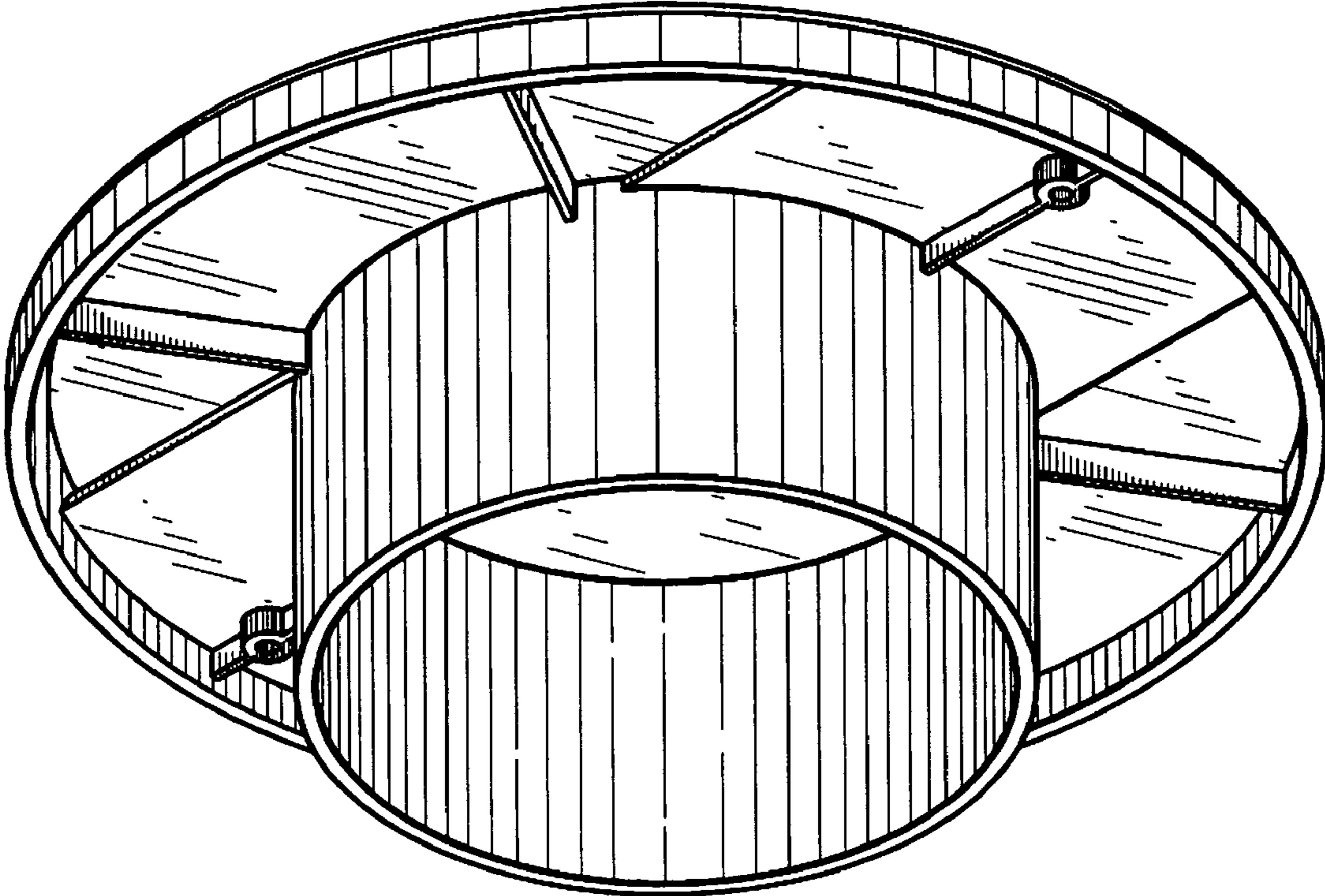


Fig. 2

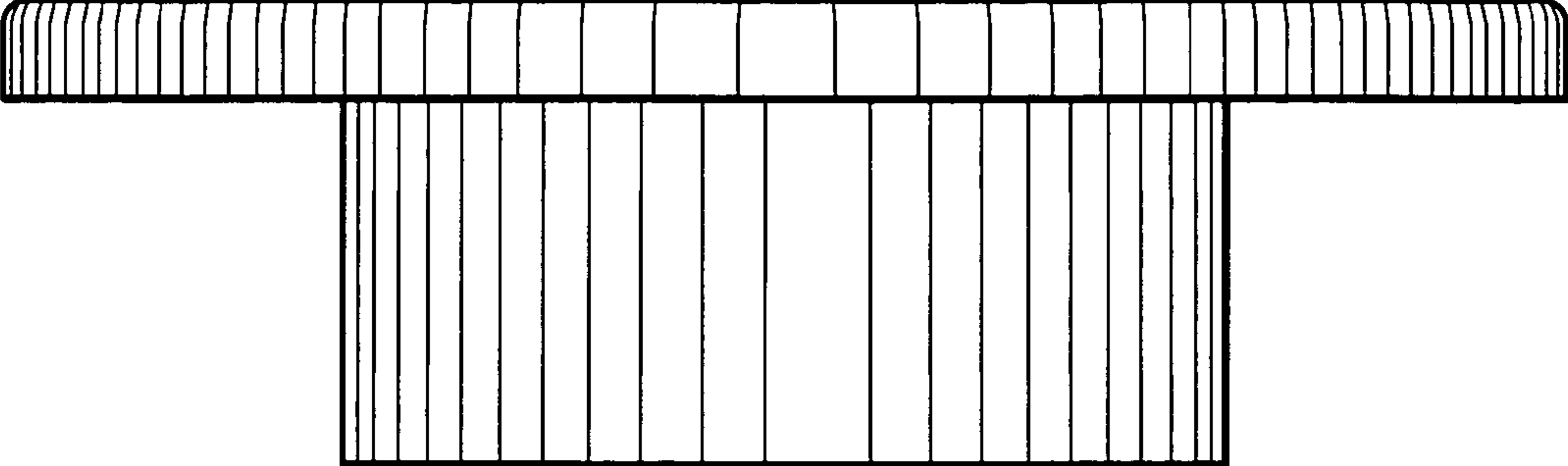


Fig. 3

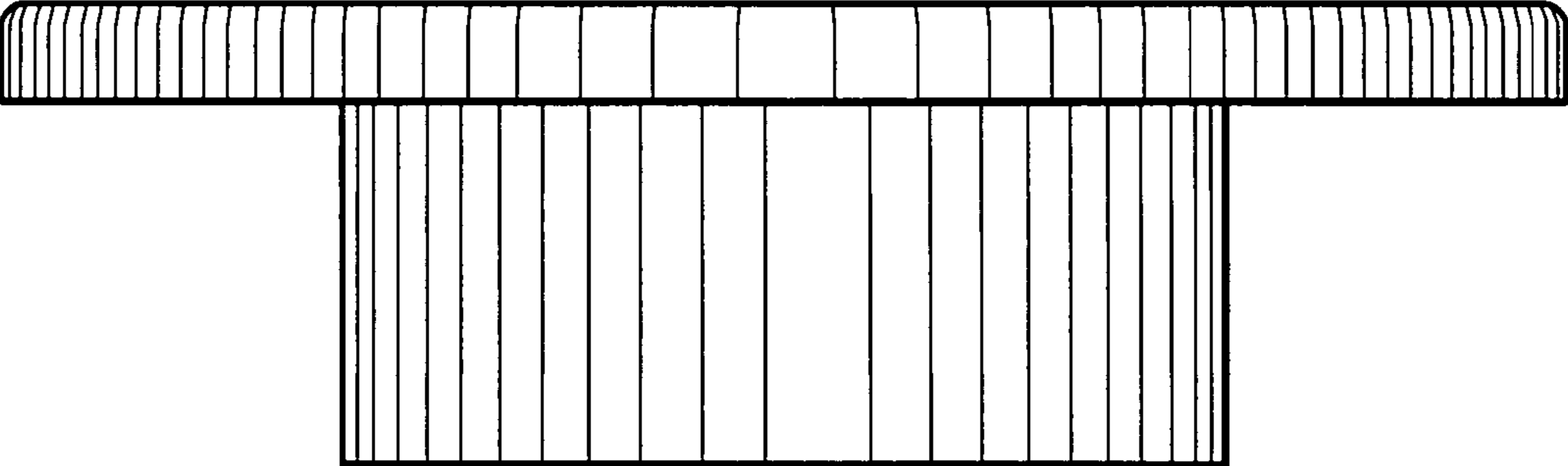


Fig. 4

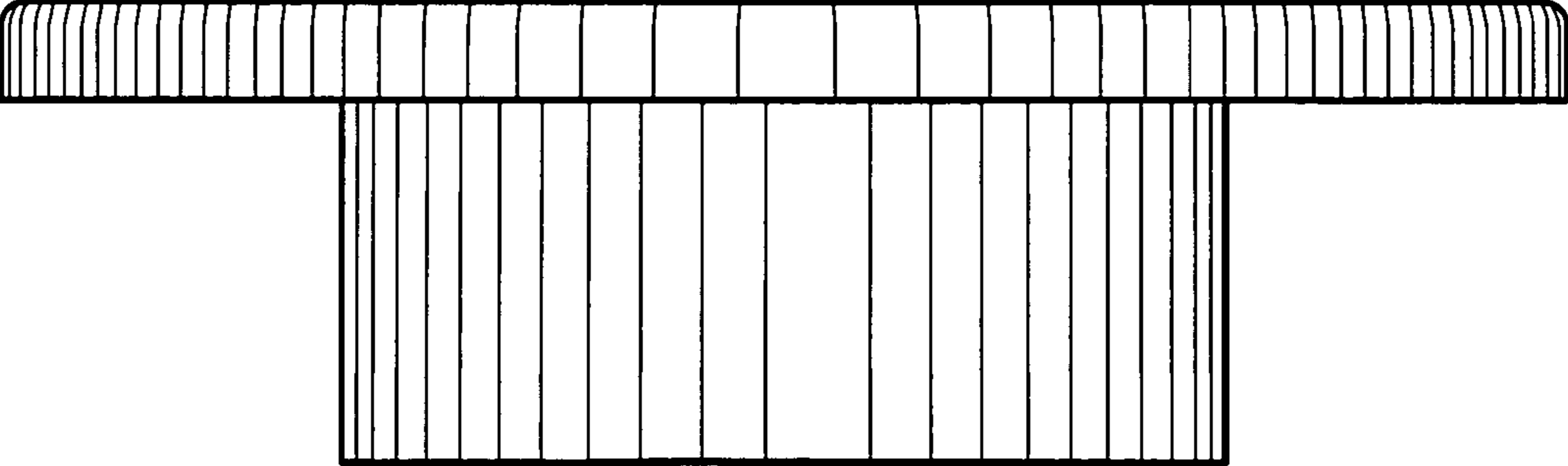


Fig. 5

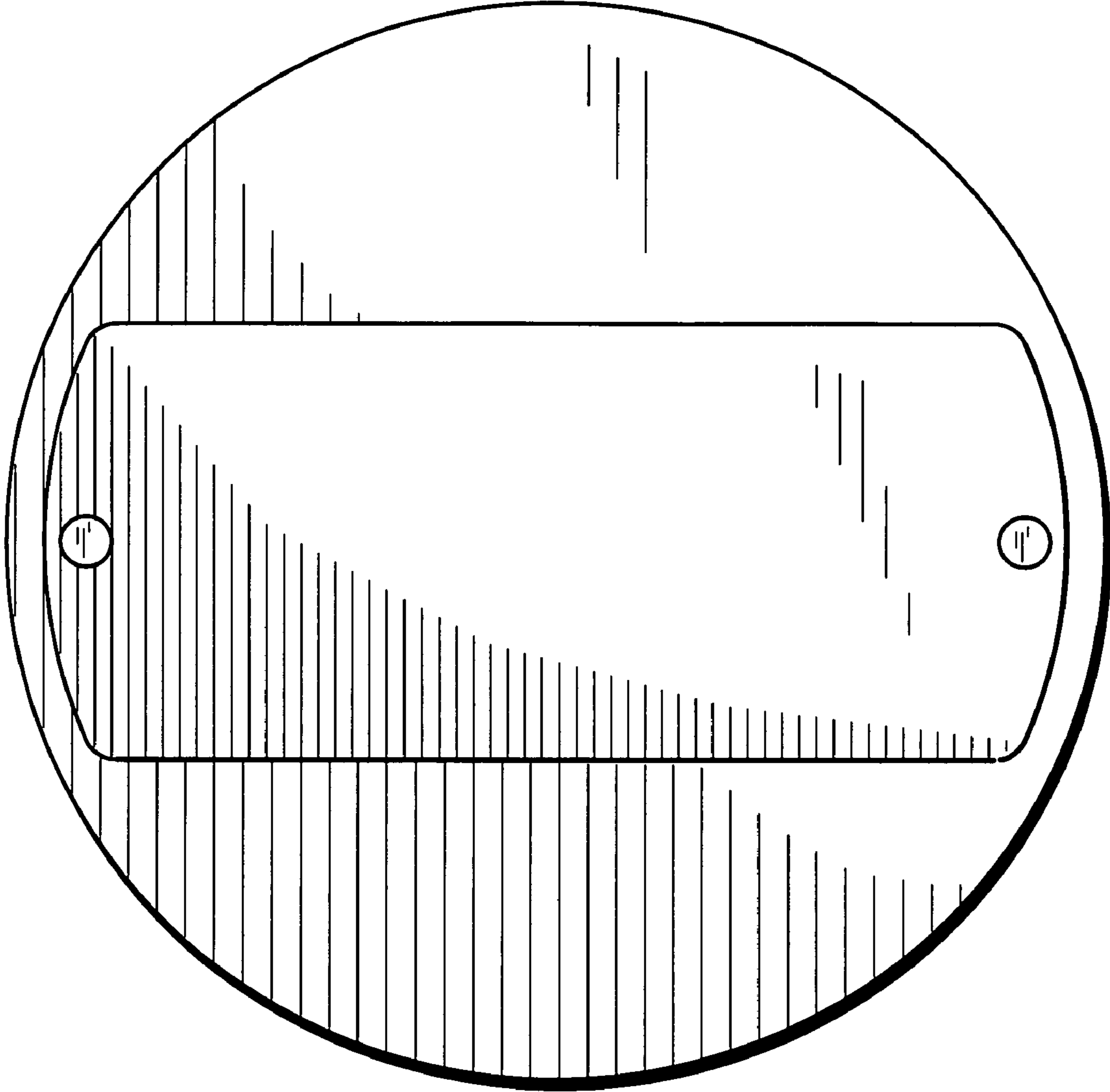


Fig. 6

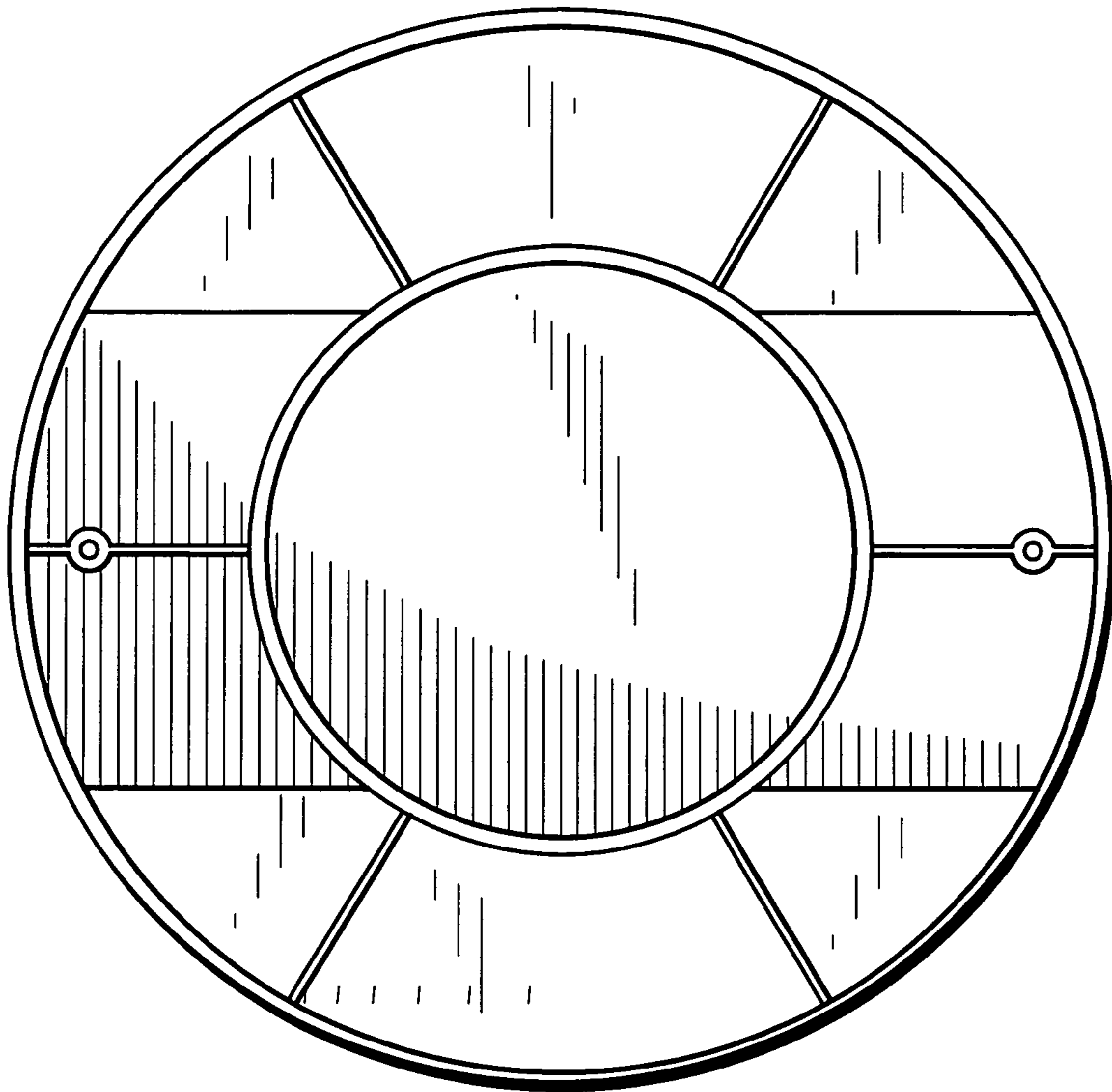


Fig. 7

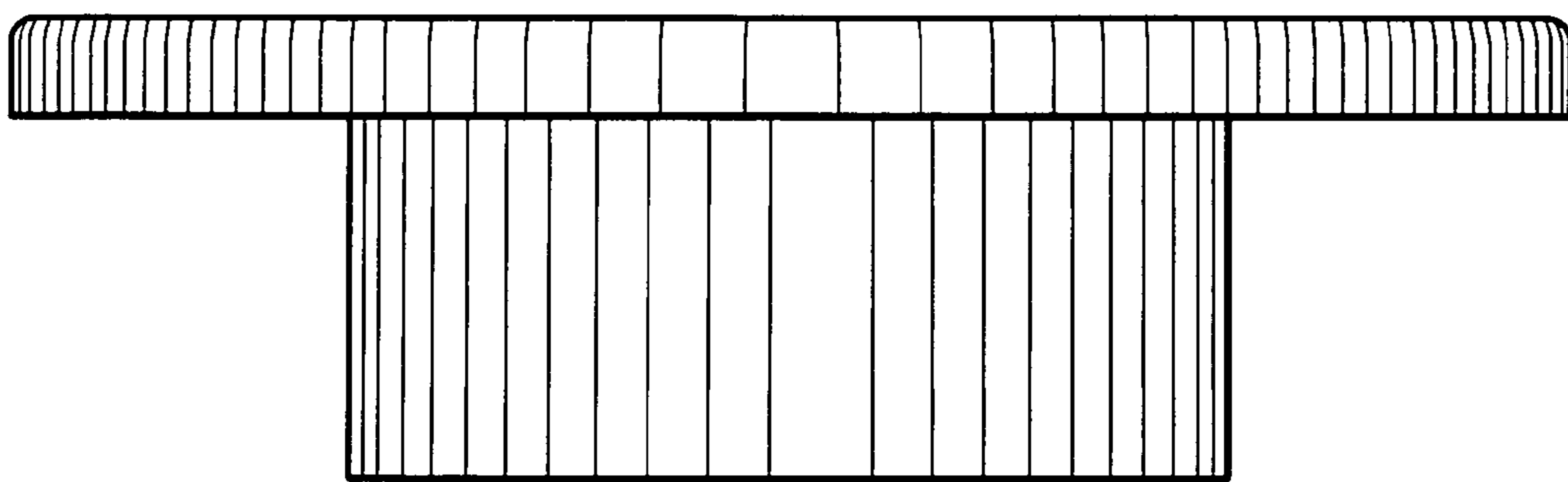


Fig. 8