



US00D594515S

(12) **United States Design Patent**  
**Giblin**

(10) **Patent No.:** **US D594,515 S**

(45) **Date of Patent:** **\*\* Jun. 16, 2009**

(54) **TRANSPARENT BASEBALL BAT**

D560,261 S \* 1/2008 Satloff ..... D21/725  
D572,779 S \* 7/2008 Penfold ..... D21/725

(76) Inventor: **Brian G. Giblin**, P.O. Box 1962, Cotuit,  
MA (US) 02635

\* cited by examiner

(\*\*) Term: **14 Years**

*Primary Examiner*—Stella M Reid

*Assistant Examiner*—Mark A Goodwin

(21) Appl. No.: **29/317,558**

(74) *Attorney, Agent, or Firm*—Mark S. Leonardo; Brown  
Rudnick LLP

(22) Filed: **May 1, 2008**

(57) **CLAIM**

(51) **LOC (9) Cl.** ..... **21-02**

The ornamental design for a transparent baseball bat, as  
shown and described.

(52) **U.S. Cl.** ..... **D21/725**

(58) **Field of Classification Search** ..... D21/725,  
D21/780, 789, 698, 700, 728, 733, 736, 738;  
473/564–568, 457, 422; 428/542.4

**DESCRIPTION**

See application file for complete search history.

FIG. 1 is a perspective view of a transparent baseball bat  
showing my new design;

(56) **References Cited**

FIG. 2. is a side view thereof;

**U.S. PATENT DOCUMENTS**

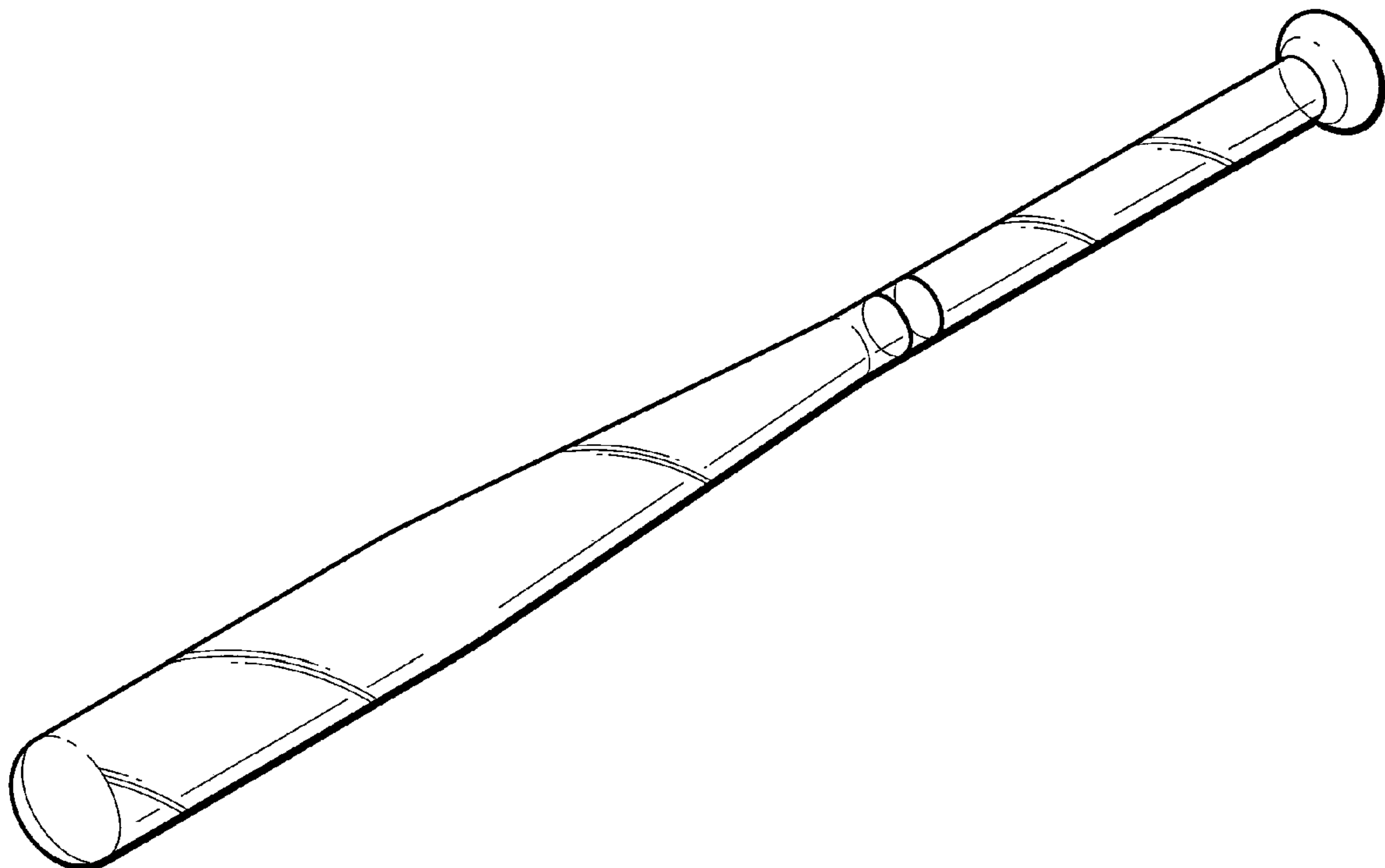
FIG. 3. is a top plan view thereof; and,

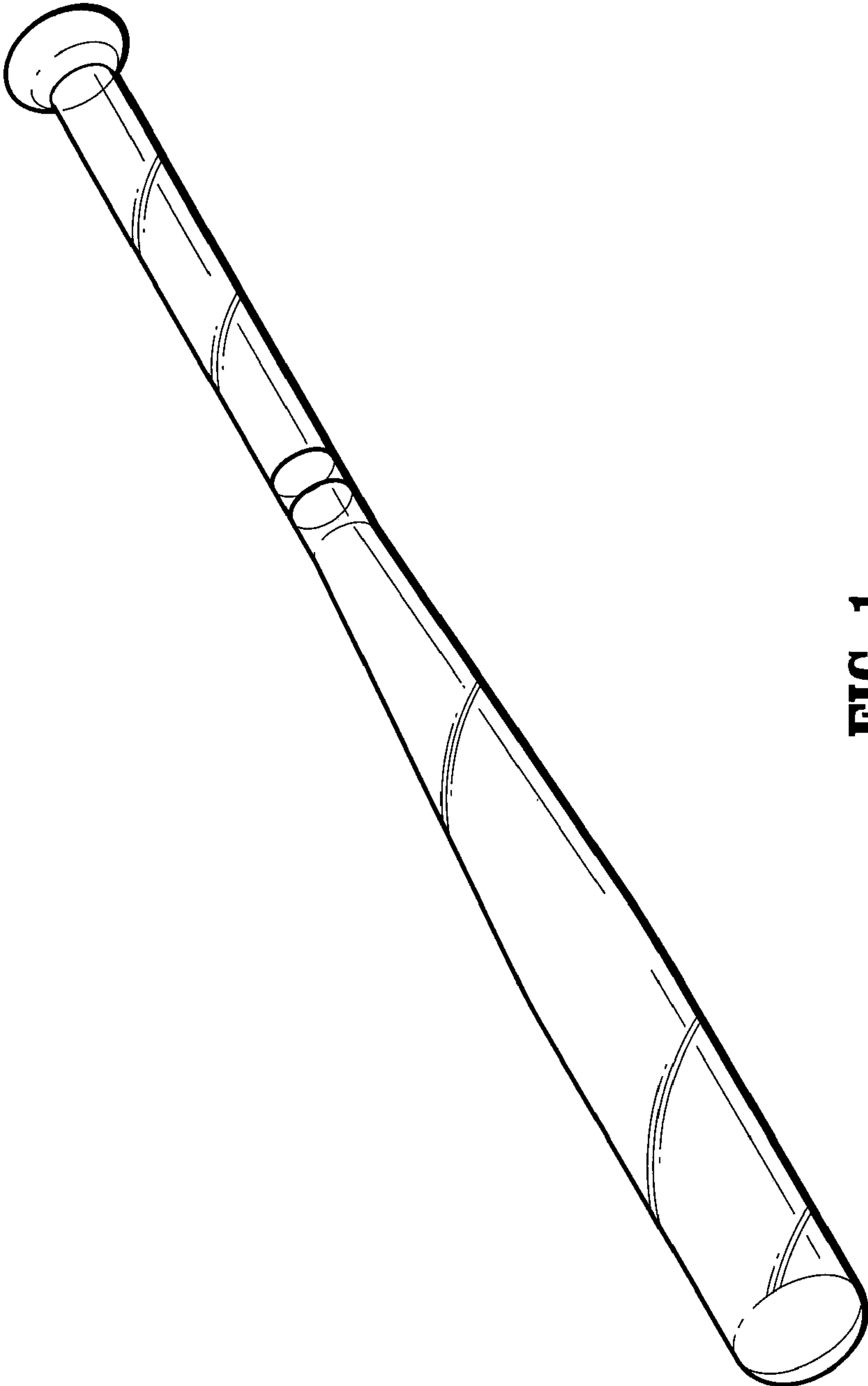
400,354	A	*	3/1889	Morris	.....	473/564
5,088,733	A	*	2/1992	Barnea et al.	.....	473/568
D391,478	S	*	3/1998	D'Arrigo	.....	D9/668
D398,680	S	*	9/1998	Kennedy et al.	.....	D21/725
D426,598	S	*	6/2000	Kim	.....	D21/725
D445,859	S	*	7/2001	Pitsenberger	.....	D21/725
D474,519	S	*	5/2003	Filice	.....	D21/725
D482,749	S	*	11/2003	Gumpel	.....	D21/725

FIG. 4 is a bottom plan view thereof.

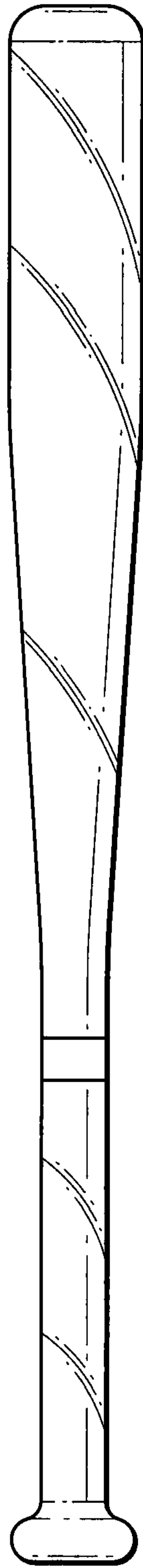
All sides of the transparent baseball bat, including the top and  
opposite ends, are see-through. The broken lines showing are  
for illustrative purposes only and forms no part of the claimed  
design.

**1 Claim, 4 Drawing Sheets**

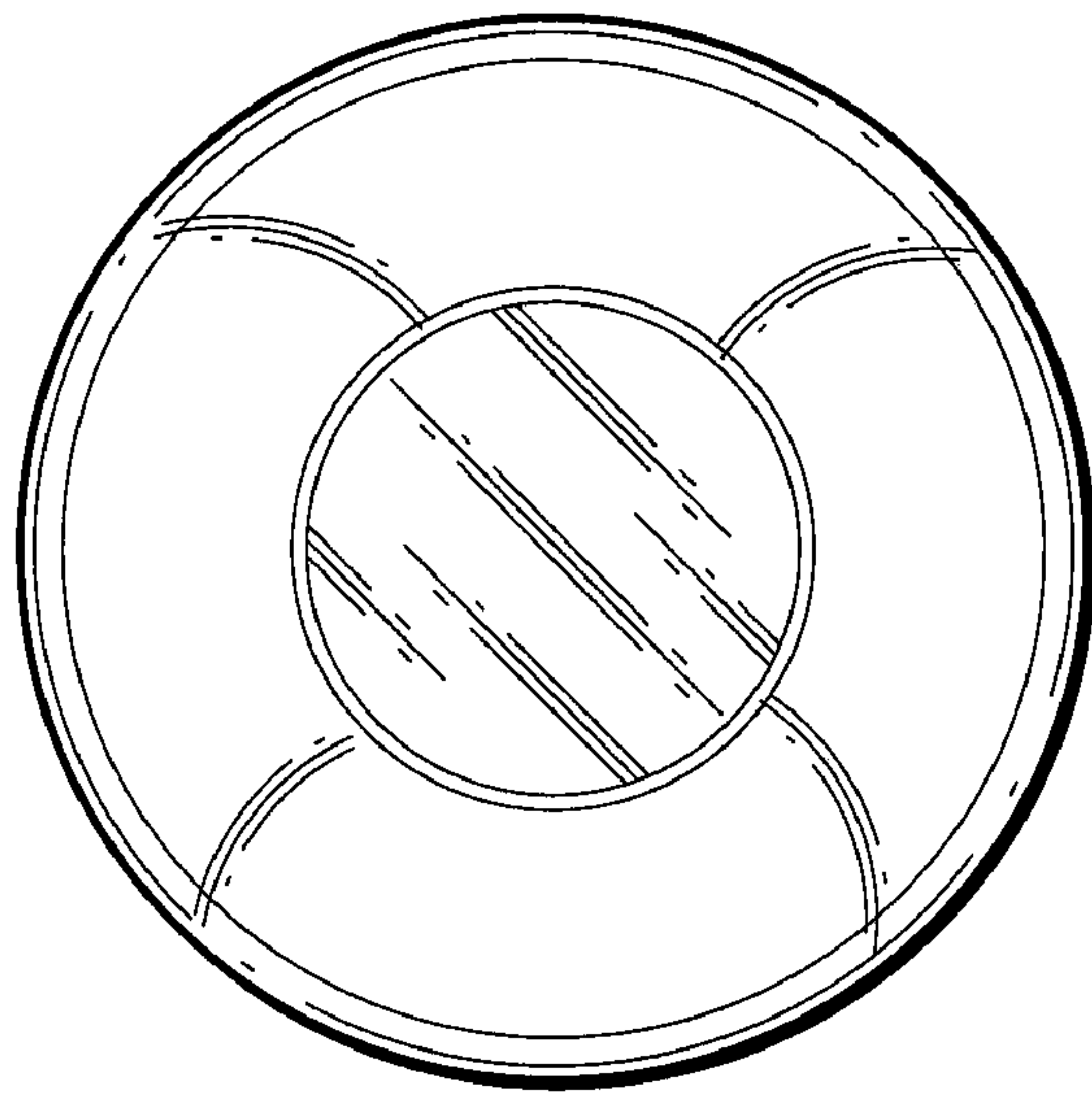




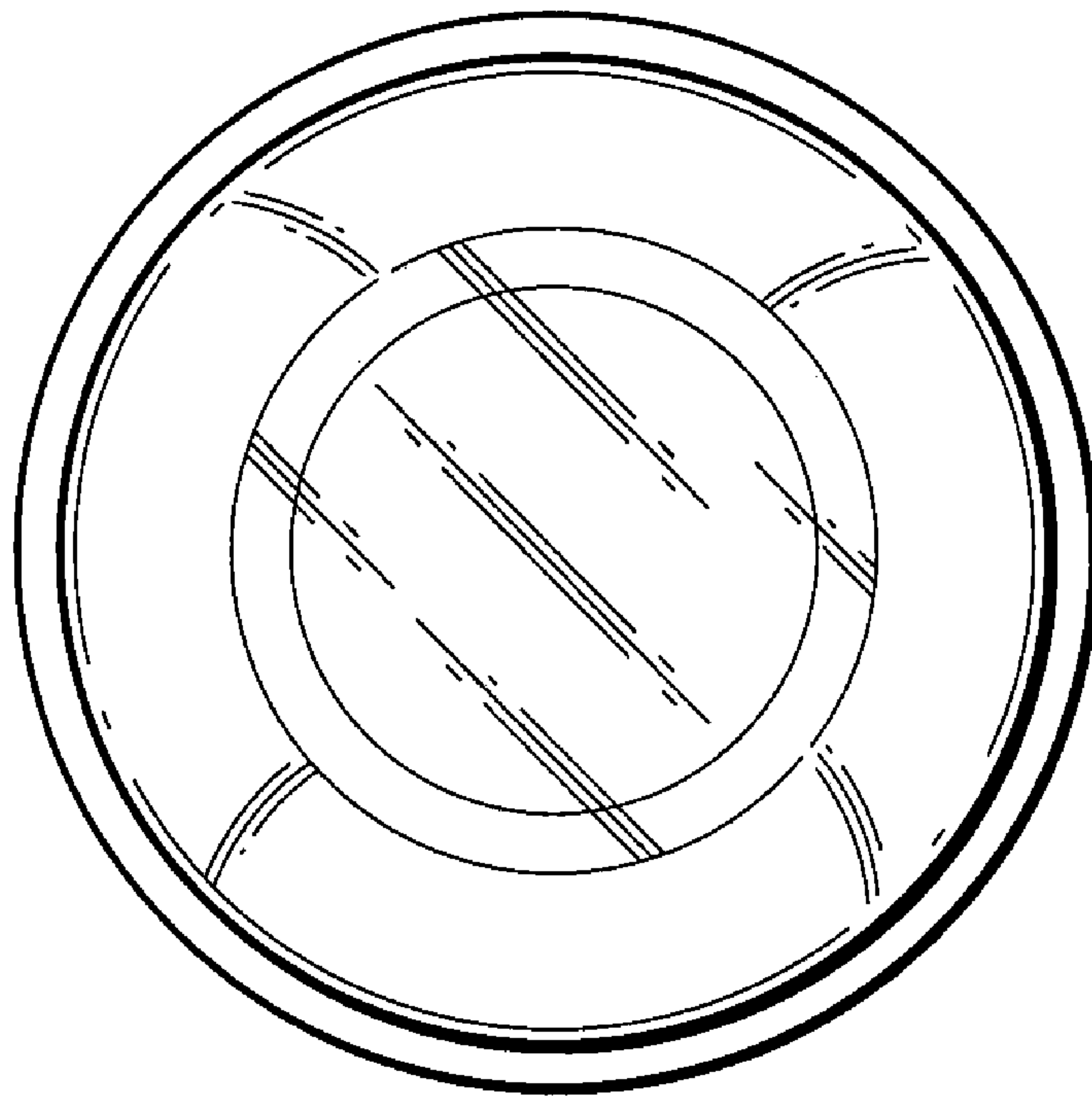
**FIG. 1**



**FIG. 2**



**FIG. 3**



**FIG. 4**